

PowerEdge XE2420

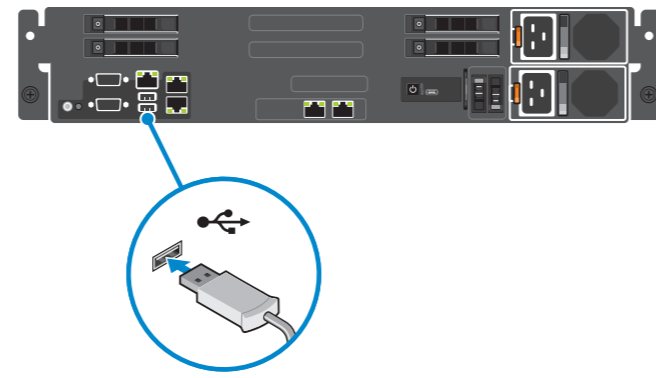
Getting Started Guide

入门指南 | 入門指南
 Příručka Začínáme | Guide de mise en route
 Handbuch zum Einstieg | Οδηγός «Τα πρώτα βήματα»
 Panduan Cara Memulai | スタートガイド
 시작 안내서 | Podręcznik Wprowadzenie
 Guia de introdução | Руководство по началу работы
 Uputstvo za početak rada | Guía de introducción
 Başlangıç Klavuzu | מדרוך לתחילת העבודה

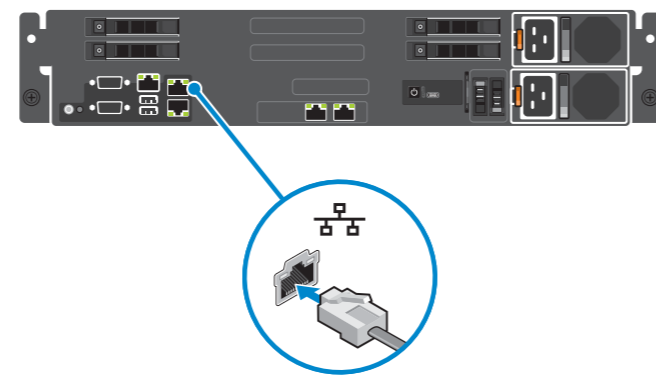


Dell.com/QRL/Server/XE2420

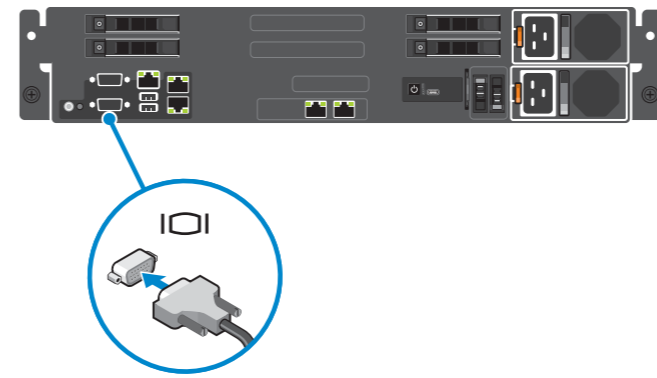
1



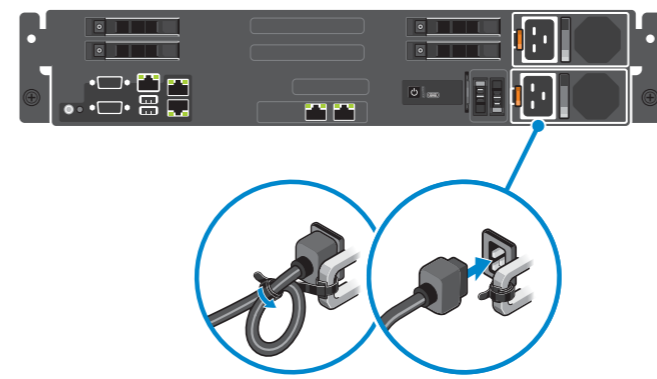
2



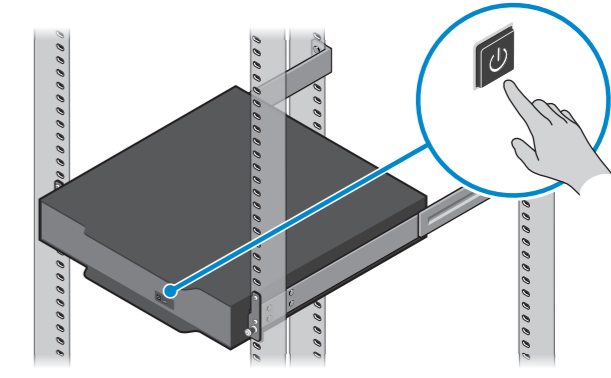
3



4



5



Regulatory model/type
 管制型号/类型 | 安規型號/類型 | Směrniceový model/typ | Modèle/type réglementaire |
 Vorschriftenmodell/Vorschriftentyp | Μοντέλο/Τύπος κατά τους ρυθμιστικούς φορείς |
 Model/jenis regulasi | 認可モデル/認可タイプ | 규정 모델/유형 | Model i typ wg normy |
 Modelo/tipo de normas | Нормативный код или тип модели | Regulatorni model/тип |
 Tipo/modelo reglamentario | Yasal model/tür |

B23S Series/ B23S001

דגם/סוג תקינה



Setting Up Your Dell EMC PowerEdge Server Using Lifecycle Controller

1 Open Lifecycle Controller

Power on the server and press **F10** to open Lifecycle Controller.

① **NOTE:** If you miss pressing F10, restart the server and press F10.

The **Initial Setup Wizard** is displayed only when you open Lifecycle Controller for the first time.

2 Set up Lifecycle Controller

1. Select the language and keyboard type, and click **Next**.
2. Read the product overview, and click **Next**.
3. Configure the network settings, wait for the settings to be applied, and click **Next**.
4. Configure the iDRAC network settings and credentials, wait for the settings to be applied, and click **Next**.
5. Verify the applied network settings, and click **Finish** to exit the **Initial Setup Wizard**.

① **NOTE:** The **Initial Setup Wizard** is displayed only when you open Lifecycle Controller for the first time. If you want to make configuration changes later, restart the server, press **F10** to open Lifecycle Controller, and select **Settings** or **System Setup** from the Lifecycle Controller home page.

3 Update the firmware

Click **Firmware Update**→**Launch Firmware Update** and follow the instructions on the screen.

4 Deploy an operating system

Click **OS Deployment**→**Deploy OS** and follow the instructions on the screen.

For information about deploying the OS, see the section Deploying operating systems in the iDRAC and Lifecycle Controller User's Guide, available at <https://dell.com/idracmanuals>.

For videos on Lifecycle Controller features, visit <https://bit.ly/1Ne0Y7a>.

Recommended additional support

Before you begin

- Ensure that the operating system deployment is complete.
- Locate the iDRAC password – Pull out the information tag available at the front of your system to locate the iDRAC default password. Make note of this password because you will require it to log in to iDRAC.
 - ① **NOTE:** If you opted for the legacy password, the iDRAC default password will be blank on the information tag.

SupportAssist

1. Log in to iDRAC and click **Maintenance** → **SupportAssist**.
2. Follow the instructions on the **SupportAssist Registration** wizard.

Related Dell products

Integrated Dell Remote Access Controller With Lifecycle Controller. For details, visit <https://www.dell.com/Support/iDRAC>.

要查看该文档的中文版，请访问 [Dell.com/poweredgemanuals](https://www.dell.com/poweredgemanuals)。

Pour afficher ce document en français, rendez-vous sur [Dell.com/poweredgemanuals](https://www.dell.com/poweredgemanuals).

Um dieses Dokument auf Deutsch anzuzeigen, besuchen Sie [Dell.com/poweredgemanuals](https://www.dell.com/poweredgemanuals).

このマニュアルを日本語で表示するには、[Dell.com/poweredgemanuals](https://www.dell.com/poweredgemanuals) にアクセスしてください。

Para ver este documento en español, visite [Dell.com/poweredgemanuals](https://www.dell.com/poweredgemanuals).

Información de la NOM

Dell México, S.A. de C.V

Importador:

Av. Javier Barros Sierra, No. 540, Piso 10, Col. Lomas de Santa Fe, Delegación Álvaro Obregón, Ciudad de México, C.P. 01219, R.F.C: DME9204099R6

Número de modelo:

B23S

Voltaje del suministro::

100 V-240 V (unidades de suministro de energía Platinum de CA de 2000 W)
-48 V a -60 V (unidades de suministro de energía de CC de 1100 W)

Frecuencia:

50/60 Hz (unidad de suministro de energía de CA)

Consumo de corriente

12 A-10 A (X2) 100-240 V ~50/60 Hz para PSU de 2000 W (unidades de suministro de energía de CA de 2000 W)
32 A (X2) -48 V a -60 V para PSU de 1100 W (unidades de suministro de energía de CC de 1100 W)

產品名稱:

伺服器

V/額定電壓:

100-240 V AC (2000 W 白金級電源供應器)
-48 V 至 -60 V (1100 W DC 電源供應器)

Hz/額定頻率:

50/60 Hz (AC PSU)

A/額定輸入電流

12 A-10 A (X2) 100-240 V ~50/60 Hz, 2000 W PSU (2000 W 白金級 AC 電源供應器)
32 A (X2) -48 V 至 -60 V, 1100 W PSU (1100 W DC 電源供應器)

本產品符合臺灣RoHS標準CNS15663。請見 <https://www.dell.com/learn/tw/zh/twcorp1/envt-info-materials>