

1 Before you begin

WARNING: Before you set up and operate your Dell EMC NAS system, read through the safety instructions that shipped with your system.

Dell EMC Software License Agreement

- Before using your system, read through the Dell EMC Software License Agreement that shipped with the system.
- You must consider any media of Dell EMC installed software as backup copies of the software installed on your system.
- If you do not accept the terms of agreement, see Dell.com/contactdell.

Documentation

For more information, go to:

- Dell.com/storagemanuals for documentation and information updates.
- Dell.com/support, type the Service Tag, and then click Submit.

Verifying package contents

Verify that all components listed on your packing slip are available. Save all documentation and accessories.

Installing the system in a rack

This system requires a properly grounded electrical outlet, a compatible rack, and a rack installation kit. For more information, see the section [More information](#) in this document.

Locating your system Service Tag

- Your system is identified by a unique Express Service Code and Service Tag number. Pull out the information tag at the front of the system to view the Express Service Code and Service Tag.
- Alternatively, the information may be on a sticker on the chassis.
- This information is used by Dell EMC to route support calls to the appropriate personnel.

NOTE: The illustrations in this document are not intended to represent a specific NAS system.



Default password

The default password of the NAS system is **Stor@ge!**

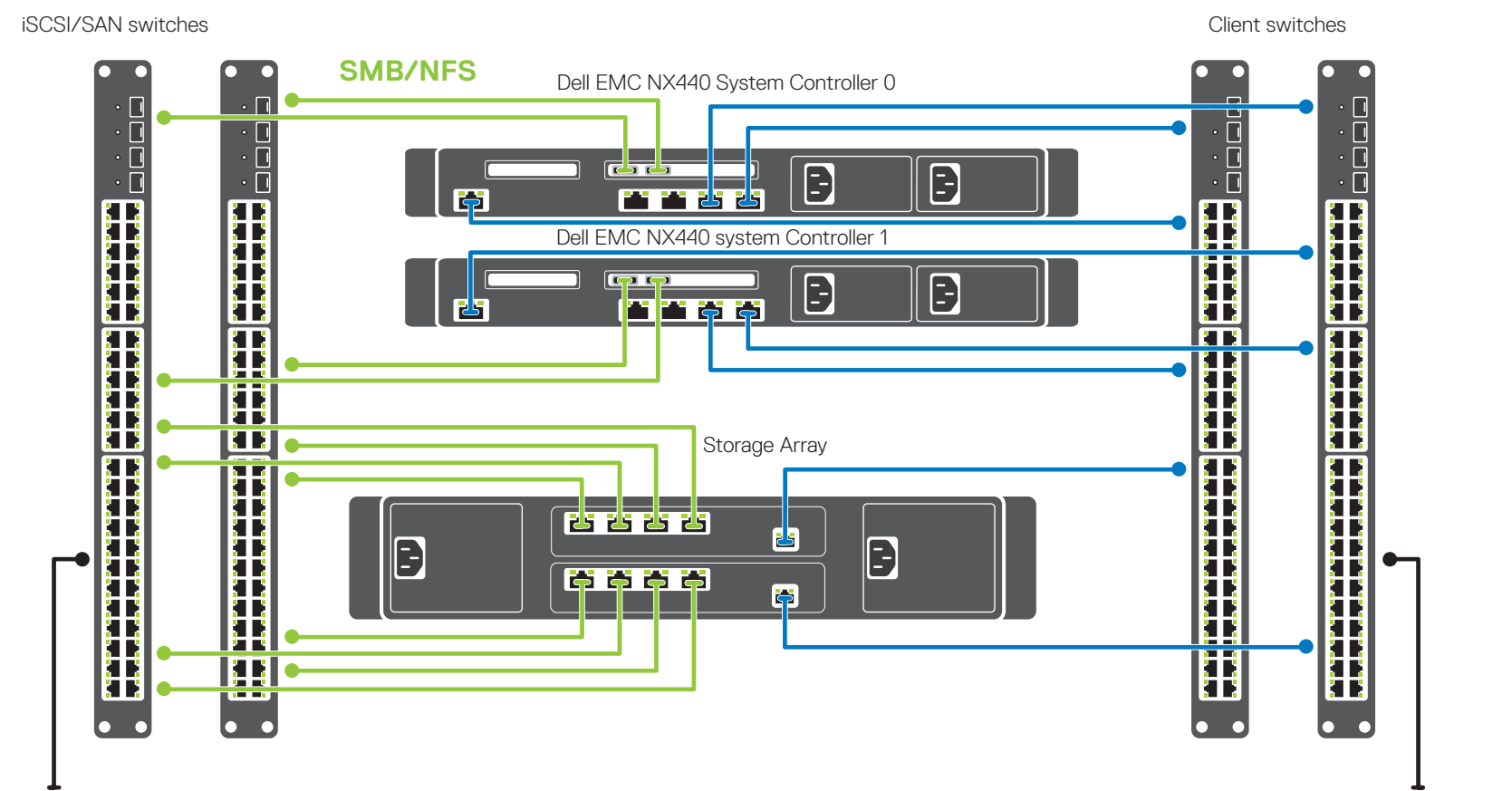
Default system name

- Your system is configured with a default system name of D<ServiceTag>, where <ServiceTag> is the Service Tag.
- To locate the Service Tag of your system, see the section [Locating your system Service Tag](#) in this document.

For more information about Dell EMC NX series documentation, go to Dell.com/storagemanuals. Always read the updates first, because they often supersede information in other documents.

2 Cabling the system using iSCSI

Network Cabling



NOTE: This figure is an example of cabling the Dell EMC NX440 systems with the MD3XXX storage array. To connect other Dell EMC storage arrays to the Dell EMC NX440 system, see the documentation for the storage array.

3 Turning on/off and managing your NAS system

Turning on your storage array

You must first turn on the storage arrays and additional expansion enclosures, if any. After the storage arrays and enclosures are initialized, turn on the Dell EMC NX440 system.

Managing your NAS

To manage your NAS locally, connect a keyboard, monitor, and mouse directly to the NAS system.

To manage your NAS remotely, you can use:

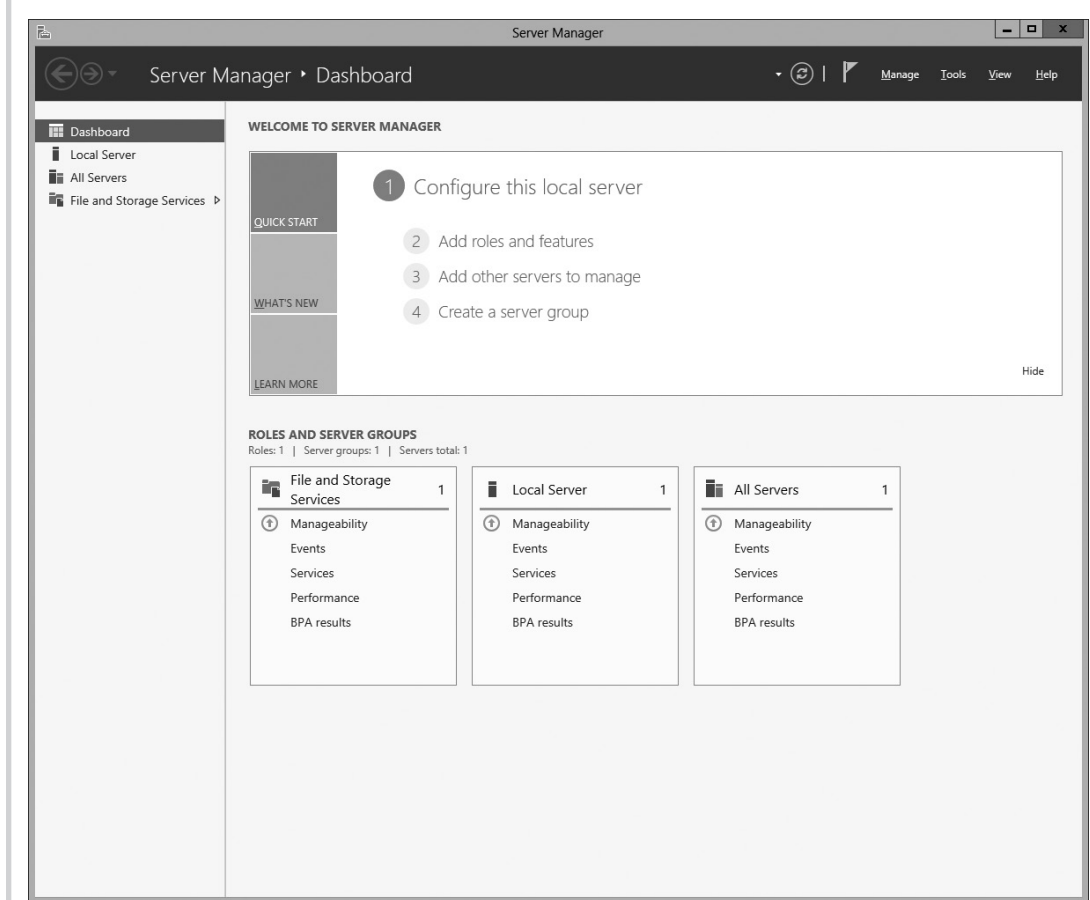
- Remote desktop
NOTE: For more information about remote desktop, see the section [Starting remote desktop](#) in this document.
- iDRAC
NOTE: For information about initial setup, configuration, and console redirection using iDRAC, see the *Integrated Dell Remote Access Controller User's Guide* at Dell.com/idracmanuals.

Turning off your NAS system

To turn off your NAS system:

1. Close the application or the cluster.
2. Turn off the NAS system.
3. Turn off the storage devices.
4. Turn off the DAE (if any).

4 Initial configuration



1. When you start your NAS system that runs Windows Storage Server 2016 for the first time, on the **Default Password** page, click **OK**.
NOTE: Before changing the password, make sure that you change the system language according to your preference.
2. To change your administrator password, press Ctrl+Alt+Del, and then click **Change a Password**.
3. To change the default language, navigate to **C:\Dell_OEM\MUI** and run the appropriate language batch file. Complete the on-screen instructions to install your preferred language.

Server Manager starts automatically when you log in the first time.

- In **Server Manager**, click **Configure this local server** to:
- Change the computer name (if required)
 - Add NAS system to the domain
 - Check for latest Windows updates
 - Specify the time zone
 - Configure remote desktop
- NOTE:** To start a software system, on the taskbar, click **Start**, and then click the program name.

Starting remote desktop

NOTE: Make sure that you have completed the Initial Configuration tasks before connecting to the NAS system using remote desktop.

- Enable remote desktop using Server Manager or system properties (**Control Panel** → **System**).
 - If Dynamic Host Configuration Protocol (DHCP) and Domain Name System (DNS) are implemented on your network, your system automatically configures the network settings. You can start remote desktop from a client and remotely access the NAS system using either the default system name or the IP address. For example, in the **Remote Desktop Connection** dialog box, type `D<ServiceTag>`, where `<ServiceTag>` is the Service Tag. To locate the Service Tag of your system, see the section [Locating your system Service Tag](#) in this document.
- NOTE:** The default password is **Stor@ge!**

5 More information

Dell EMC OpenManage Server Administration

You can monitor your system remotely by using Dell EMC OpenManage Server Administrator. To access Dell EMC OpenManage Server Administrator, connect to the secure port, 1311, of your NAS system. For example, type: `https://D<ServiceTag>:1311`, where `<ServiceTag>` is Service Tag. To locate the Service Tag of your system, see the section [Locating your system Service Tag](#) in this document.

Documentation

For more information, see the following documentation at Dell.com/storagemanuals.

Title	Description
Getting Started Guide	Provides an overview of system features, setting up your system, and technical specifications. This document is also shipped with your system.
Installation and Service Manual	Provides information about system features and describes the system and installing or replacing system components.
Rack Installation Guide	Describes the process of installing your system into a rack. This document is also shipped with your rack solution.
Administrator's Guide	Provides information about configuring and managing the system.
Troubleshooting Guide	Provides information about troubleshooting the software and the system.
Dell EMC OpenManage Server Administrator User's Guide	Provides information about using the OpenManage Server Administrator to manage your Dell EMC system or NAS system. NOTE: For any documentation related to Dell EMC OpenManage Server Administrator, go to Dell.com/openmanagemanuals .

Documentation feedback

You can rate the documentation or write your feedback on any of our Dell EMC Documentation pages and click **Send Feedback** to send your feedback.