

Dell XC740xd Series Hyper-Converged Appliances

Getting Started Guide 入门指南



Quick Resource Locator
Dell.com/QRL/XCSeries/XC740xd

Scan to see how-to videos, documentation,
and troubleshooting information.
扫描以查看入门视频、文档和故障排除信息。



Before you begin

开始之前

⚠ WARNING: Before setting up your appliance, follow the safety instructions included in the Safety, Environmental, and Regulatory Information document shipped with the appliance.

⚠ CAUTION: Use Extended Power Performance (EPP) compliant power supply units (PSUs), indicated by the EPP label, on your appliance. For more information on EPP, see the Owner's Manual at Dell.com/XCSeriesmanuals.

📄 NOTE: The documentation set for your appliance is available at Dell.com/XCSeriesmanuals. Ensure that you always check this documentation set for all the latest updates.

📄 NOTE: Ensure that the operating system is installed before installing hardware or software not purchased with the appliance. For more information about supported operating systems, see Dell.com/ossupport.

📄 NOTE: The PSU input connector may vary depending on the PSU type.

⚠ 警告: 设置设备前, 请遵循设备随附的安全、环境和法规信息文档中的安全说明。

⚠ 小心: 请按照设备上扩展电源性能 (EPP) 标签的说明使用符合 EPP 标准的电源。有关 EPP 的更多信息, 请参阅 Dell.com/XCSeriesmanuals 上的《用户指南》。

📄 注: 适用于您的设备的说明文件集可从 Dell.com/XCSeriesmanuals 上获取。请确保经常查看此说明文件集, 了解所有最新更新。

📄 注: 确保在安装未随设备一起购买的硬件或软件之前安装操作系统。有关支持的操作系统的更多信息, 请参阅 Dell.com/ossupport。

📄 注: PSU 输入连接器可能因 PSU 类型而异。

Setting up your appliance

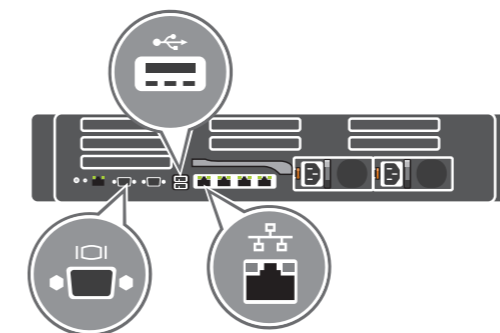
设置设备

📄 NOTE: Ensure that the appliance is installed and secured. For more information about installing and securing the appliance into a rack, see the rack documentation included with your rack solution.

📄 注: 请确保设备已安装并且固定好。有关将设备安装到机架中的信息, 请参阅机架解决方案随附的机架说明文件。

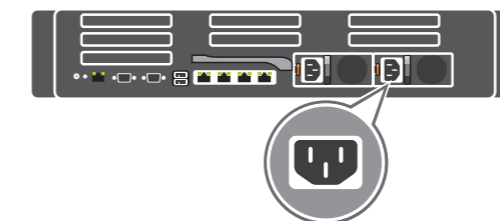
1 Connect the network cable and the optional I/O devices

连接网络电缆和可选的 I/O 设备



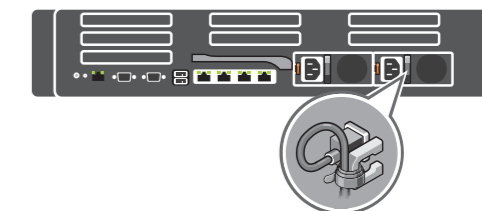
2 Connect the appliance to the power source

将设备连接到电源



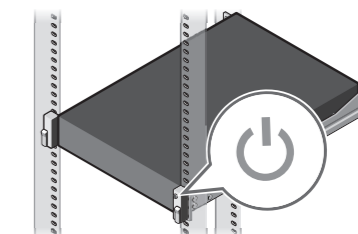
3 Loop and secure the power cable using the retention strap

将电源电缆缠绕并用固定束带在固定。



4 Turn on the appliance






打开设备



OXF0M1A00






Technical specifications

The following specifications are only those required by law to ship with your appliance. For a complete and current listing of the specifications for your appliance, see [Dell.com/XCSeriesmanuals](#).

Power: 2000 W Platinum AC 100–240 V, 50/60 Hz, 11.5 A  NOTE: If appliance operates at low line 100–120 V AC, then the power rating per PSU is derated to 1000 W. 1600 W Platinum AC 200–240 V, 50/60 Hz, 10 A  NOTE: If appliance operates at low line 100–120 V AC, then the power rating per PSU is derated to 800 W. 1100 W Platinum AC 100–240 V, 50/60 Hz, 12 A–6.5 A  NOTE: If appliance operates at low line 100–120 V AC, then the power rating per PSU is derated to 1050 W. 1100 W DC (-(48–60)) V, 32 A 750 W Platinum AC 100–240 V, 50/60 Hz, 10 A–5 A 750 W Titanium AC 200–240 V, 50/60 Hz, 5 A  NOTE: This appliance is also designed to be connected to IT power systems with a phase-to-phase voltage not exceeding 230 V.
Battery: 3 V CR2032 lithium coin cell
Temperature: Maximum ambient temperature for continuous operation: 40°C/104°F  NOTE: Certain appliance configurations may require a reduction in the maximum ambient temperature limit. The performance of the appliance may be impacted when operating above the maximum ambient temperature limit or with a faulty fan.

技术规格

以下仅是依照法律规定随您的设备附带的规格。有关您的设备规格的当前完整列表，请访问 [Dell.com/XCSeriesmanuals](#)。


电源： 2000 W 白金 AC 100–240 V，50/60 Hz，11.5 A  注： 如果设备以低压线路 100–120 V AC 运行，则每个 PSU 的额定功率会降至 1000 W。 1600 W 白金 AC 200–240 V，50/60 Hz，10 A  注： 如果设备以低压线路 100–120 V AC 运行，则每个 PSU 的额定功率会降至 800 W。 1100 W 白金 AC 100–240 V，50/60 Hz，12 A–6.5 A  注： 如果设备以低压线路 100–120 V AC 运行，则每个 PSU 的额定功率会降至 1050 W。 1100 W DC (-(48–60)) V，32 A 750 W 白金 AC 100–240 V，50/60 Hz，10 A-5 A 750 W 钛金 AC 200–240 V，50/60 Hz，5 A  注： 此设备还可连接到相间电压不超过 230 V 的 IT 电源系统。
电池： 3 V CR2032 币形锂电池
温度： 持续运行时的最高环境温度为 40° C/104° F  注： 某些设备配置可能需要降低最高环境温度极限。若在最高环境温度极限以上的温度下工作或风扇出现故障，设备的性能可能会受到影响。


Dell End User License Agreement


Before using your appliance, read the Dell Software License Agreement that is shipped with your appliance. If you do not accept the terms of agreement, see [Dell.com/contactdell](#).

Dell 最终用户许可协议

使用设备前，请阅读设备随附的《Dell 软件许可协议》。如果您不接受协议条款，请参阅 [Dell.com/contactdell](#)。

 **WARNING: A WARNING indicates a potential for property damage, personal injury, or death.**

 **CAUTION: A CAUTION indicates potential damage to hardware or loss of data if instructions are not followed.**

 **NOTE:** A NOTE indicates important information that helps you make better use of your computer.

 **警告：**“警告”表示可能会导致财产损失、人身伤害甚至死亡。

 **小心：**“小心”表示如果不遵循说明，就有可能损坏硬件或导致数据丢失。

 **注：**“注”表示可以帮助您更好地使用计算机的重要信息。

本產品符合臺灣RoHS標準CNS15663

單元	限用物質及其化學符號					
	鉛 (Pb)	汞 (Hg)	鎘 (Cd)	六價鉻 (Cr ⁶⁺)	多溴聯苯 (PBB)	多溴二苯醚 (PBDE)
機箱/擋板	–	o	o	o	o	o
機械部件 (風扇、散熱器等)	–	o	o	o	o	o
電路板組件	–	o	o	o	o	o
電線/連接器	–	o	o	o	o	o
電源設備	–	o	o	o	o	o
儲存裝置 (硬碟、光碟機等)	–	o	o	o	o	o
配件 (鍵盤、滑鼠等)	–	o	o	o	o	o

備考1. “O” 係指該項限用物質之百分比含量未超出百分比含量基準值。

備考2. “–” 係指該項限用物質為排除項目。

Regulatory model/type
管制型号/类型

E38S Series/E38S001