

Dell™ PowerEdge™ 1950 Systems

Getting Started With Your System

Guide de mise en route

Primeiros passos com o sistema

Procedimientos iniciales con el sistema

Model EMU01

www.dell.com | support.dell.com

Dell™ PowerEdge™ 1950 Systems

Getting Started With Your System

Notes, Notices, and Cautions



NOTE: A NOTE indicates important information that helps you make better use of your computer.



NOTICE: A NOTICE indicates either potential damage to hardware or loss of data and tells you how to avoid the problem.



CAUTION: A CAUTION indicates a potential for property damage, personal injury, or death.

Information in this document is subject to change without notice.

© 2005 Dell Inc. All rights reserved.

Reproduction in any manner whatsoever without the written permission of Dell Inc. is strictly forbidden.

Trademarks used in this text: *Dell*, the *DELL* logo, *PowerEdge*, and *Dell OpenManage* are trademarks of Dell Inc.; *Intel* and *Xeon* are registered trademarks of Intel Corporation; *Microsoft* and *Windows* are registered trademarks, and *Windows Server* is a trademark of Microsoft Corporation; *Red Hat* is a registered trademark of Red Hat, Inc.; *SUSE* is a registered trademark of SUSE LINUX Products GmbH.

Other trademarks and trade names may be used in this document to refer to either the entities claiming the marks and names or their products. Dell Inc. disclaims any proprietary interest in trademarks and trade names other than its own.

Model EMU01

November 2005

P/N YC585

Rev. A00

System Features

The major hardware and software features of your system includes:

- One or Two Dual Core Intel® Xeon® Processor 5000 Sequence.
- Support for symmetric multiprocessing (SMP), which is available on systems with two Intel Xeon microprocessors. SMP greatly improves overall system performance by dividing microprocessor operations between independent microprocessors. To take advantage of this feature, you must use an operating system that supports multiprocessing.



NOTE: If you decide to upgrade your system by installing a second microprocessor, you must order the microprocessor upgrade kits from Dell. Not all versions of the Intel Xeon microprocessor will work properly as additional microprocessors. The upgrade kit from Dell contains the correct version of the microprocessor as well as the instructions for performing the upgrade. Both microprocessors must have the same internal operating frequency and cache size.

- A minimum of 512 MB of 533 or 667 MHz (when available), Fully Buffered DIMMs (FBD), upgradable to a maximum of 32 GB by installing combinations of 256-MB, 512-MB, 1-GB, 2-GB, or 4-GB memory modules in the eight memory module sockets on the system board.

The system also features redundant memory, which provides memory sparing or memory mirroring. Either feature is available if eight identical memory modules are installed.

- Support for either two 3.5-inch, internal hot-pluggable SAS (Serial Attached SCSI) (10000 or 15000 rpm) or SATA (7200 rpm) hard drives or support for up to four 2.5-inch, internal hot-pluggable SAS (10000 rpm) hard drives.
- An optional slimline IDE CD-ROM, DVD-ROM, or DVD-ROM/ CD-RW drive.
- Up to two hot-pluggable, 670-W power supplies in a 1 + 1 redundant (optional) configuration.
- Four fan modules, each comprised of two dual-rotor fans, for a total of eight cooling fans.

The system board includes the following features:

- One of the following riser card options:
 - Two riser cards (left and center risers), each providing a x8 lane width PCI-Express expansion slot.
- OR
- Two riser cards (left and center risers), each providing a 3.3V, 64-bit 133MHz PCI-X expansion slot. The expansion slots are on two separate buses.
- Dedicated PCI slot for an integrated SAS host bus adapter or an optional integrated RAID controller card with 256 MB of cache memory and a RAID battery.



NOTE: System boot is not supported from an external device attached to a SAS or SCSI adapter, including SAS 5/E, PERC 5/E or PERC 4e/DC. See support.dell.com for the latest support information about booting from external devices

- Two integrated Gigabit Ethernet NICs, capable of supporting 10-Mbps, 100-Mbps, and 1000-Mbps data rates.

- Four USB 2.0-compliant connectors (two on the front and two on the back) capable of external support for a diskette drive, a CD-ROM drive, a keyboard, a mouse, or a USB flash drive.
- Optional remote access controller (RAC) for remote systems management.
- An integrated VGA-compatible video subsystem with an ATI ES1000, 33-MHz PCI video controller. This video subsystem contains a minimum of 16MB of graphics memory with support for 2D graphics. Maximum resolution is 1600x1200 with 65,536 colors; true-color graphics are supported in the following resolutions: 640 x 480, 800 x 600, 1024 x 768, 1280 x 1024. When the optional remote access card is installed, the maximum video resolution is 1280x1024.
- Systems management circuitry that monitors operation of the system fans as well as critical system voltages and temperatures. The systems management circuitry works in conjunction with the systems management software.
- Back-panel connectors include serial, video, two USB connectors, and two NIC connectors.
- Front-panel connectors include a video and two USB connectors.
- Front-panel 1x5 LCD for system ID and error messaging.


For more information about specific features, see "Technical Specifications" on page 9

Supported Operating Systems

Your system supports the following operating systems:

- Microsoft® Windows Server™ 2003 Standard, Enterprise, and Web Editions
- Microsoft Windows Server 2003 Standard and Enterprise x64 Editions
- Red Hat® Enterprise Linux AS, ES, and WS (versions 3 and 4) for Intel x86
- Red Hat Enterprise Linux AS, ES, WS (version 4) for Intel Extended Memory 64 Technology (Intel EM64T)
- SUSE® Linux Enterprise Server 9 for Intel EM64T
- Novell® NetWare® 6.5 (when available)(not available factory-installed)

Other Information You May Need

 **CAUTION: The *Product Information Guide* provides important safety and regulatory information. Warranty information may be included within this document or as a separate document.**

- The *Rack Installation Guide* or *Rack Installation Instructions* included with your rack solution describes how to install your system into a rack.
- The *Hardware Owner's Manual* provides information about system features and describes how to troubleshoot the system and install or replace system components. This document may be found on the CDs that came with your system or at support.dell.com.
- CDs included with your system provide documentation and tools for configuring and managing your system.

- Updates are sometimes included with the system to describe changes to the system, software, and/or documentation.
 - ✎ **NOTE:** Always check for updates on support.dell.com and read the updates first because they often supersede information in other documents.
- Release notes or readme files may be included to provide last-minute updates to the system or documentation or advanced technical reference material intended for experienced users or technicians.

Obtaining Technical Assistance

If you do not understand a procedure in this guide or if the system does not perform as expected, see your *Hardware Owner's Manual*.

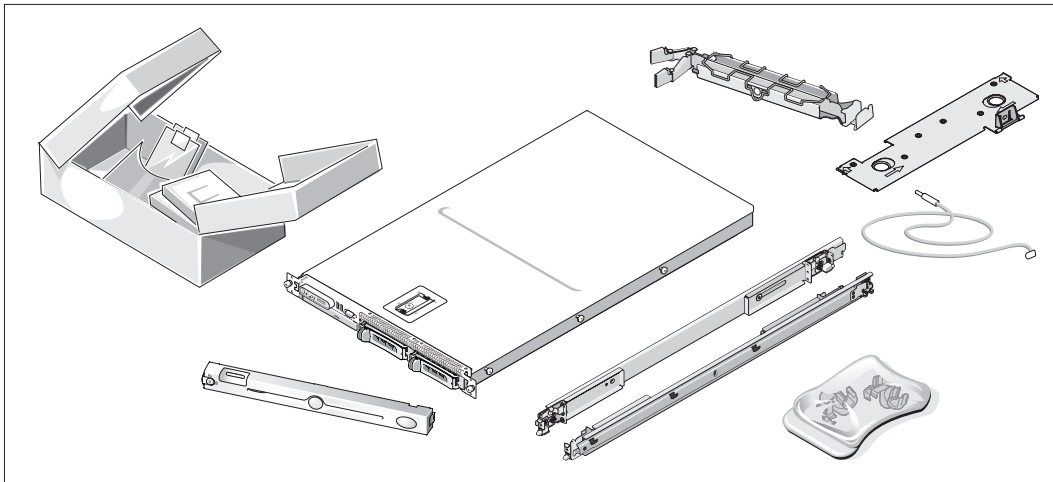
Dell™ Enterprise Training and Certification is available; see www.dell.com/training for more information. This service may not be offered in all locations.

Installation and Configuration

⚠ CAUTION: Before performing the following procedure, read and follow the safety instructions and important regulatory information in your *Product Information Guide*.

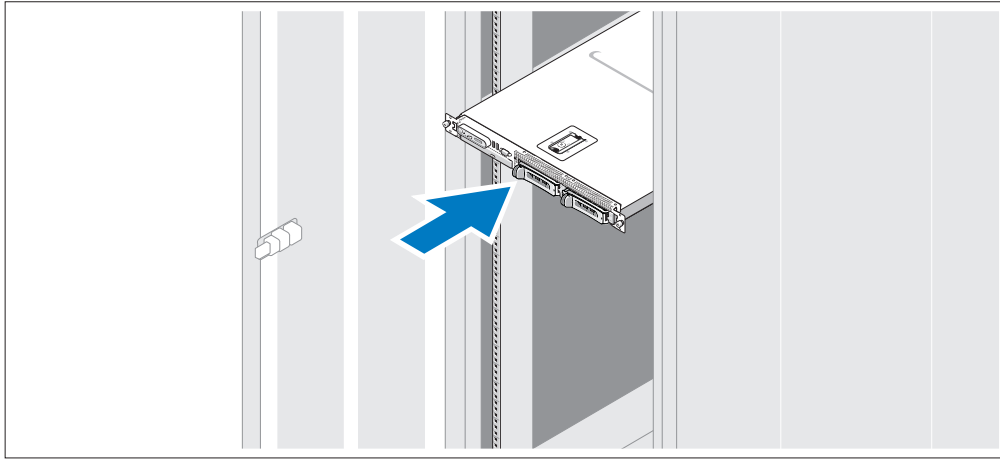
This section describes the steps to set up your system for the first time.

Unpacking the System



- 1 Unpack your system and identify each item.
Keep all shipping materials in case you need them later.

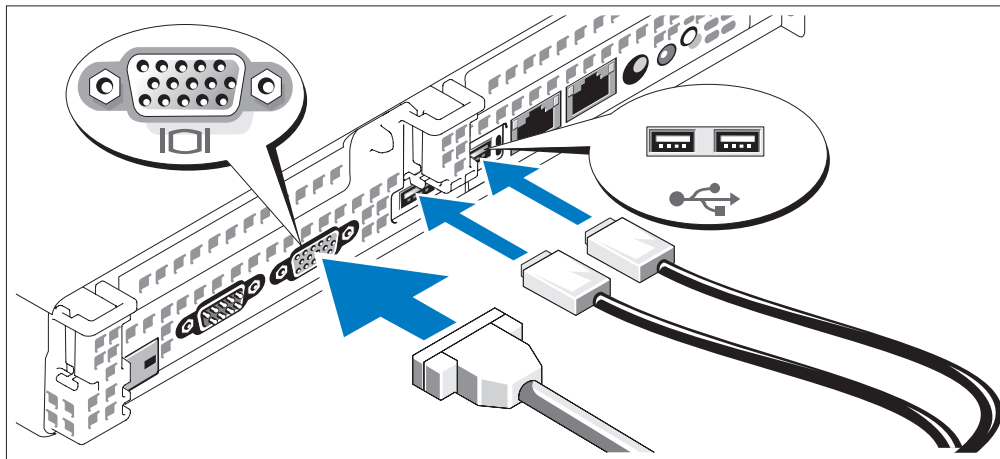
Installing the Rail and System in a Rack



- 2 Install the system in the rack once you have read the "Safety Instructions" located in the rack installation documentation for your system.

See your rack installation documentation for instructions on installing your system in a rack.

Connecting the Keyboard, Mouse, and Monitor

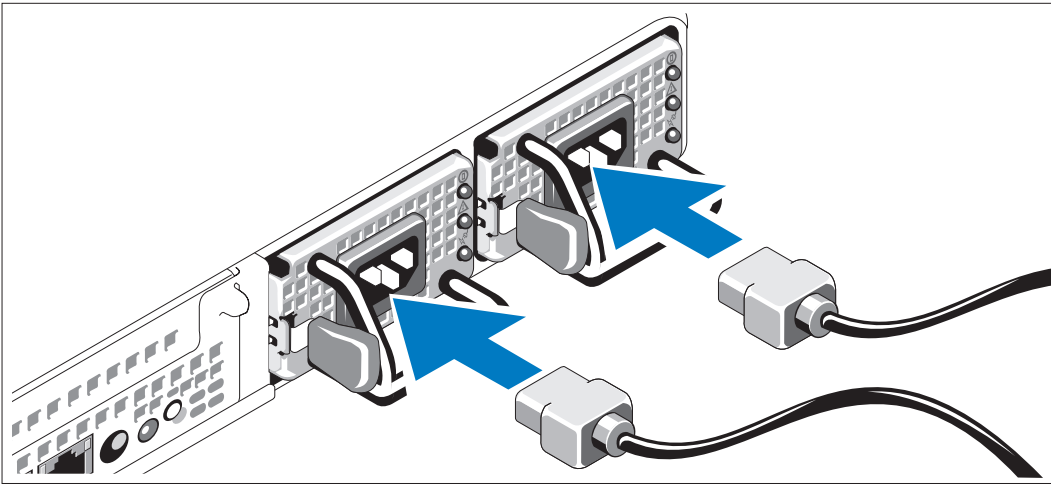


- 3 Connect the keyboard, mouse, and monitor (optional).

The connectors on the back of your system have icons indicating which cable to plug into each connector. Be sure to tighten the screws (if any) on the monitor's cable connector.

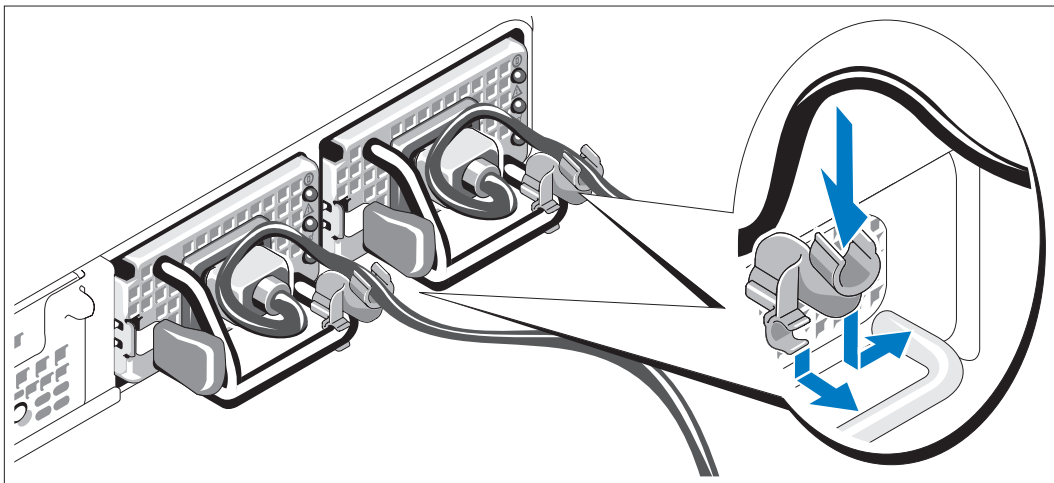
NOTE: If you simultaneously connect two monitors to the system, using the front and rear video connections, the video will default to the front since only one display can operate at a time

Connecting the Power



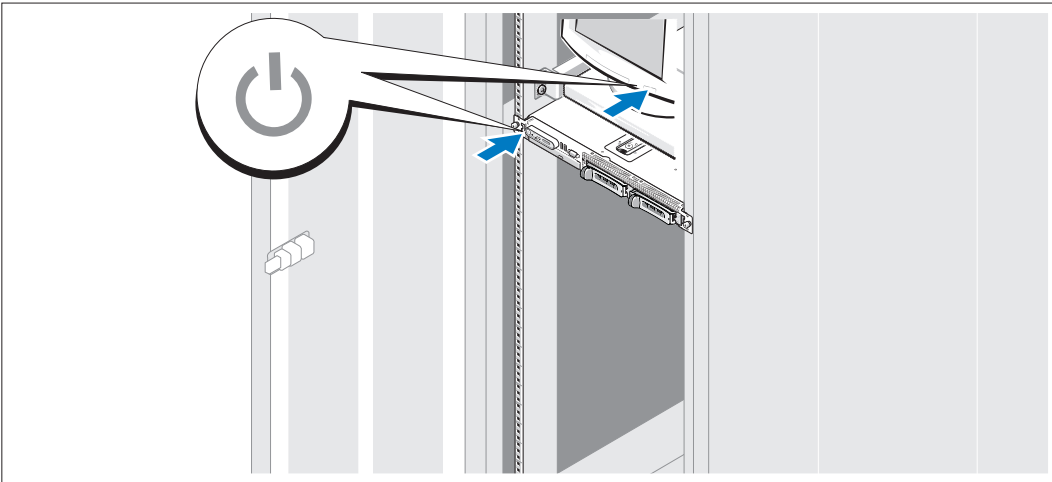
- 4 Connect the system's power cable(s) to the system.
- 5 Plug the other end of the cable into a grounded electrical outlet or a separate power source such as an uninterruptible power supply (UPS) or a power distribution unit (PDU).

Installing the Power Cord Retention Bracket (Optional)



- 6 Attach the power cord retention bracket on the right bend of the power supply handle. Bend the system power cable into a loop as shown in the illustration and attach to the bracket's cable clasp. Repeat the procedure for the second power supply.
- 7 Plug the other end of the power cables into a grounded electrical outlet or a separate power source such as an uninterruptible power supply (UPS) or a power distribution unit (PDU).

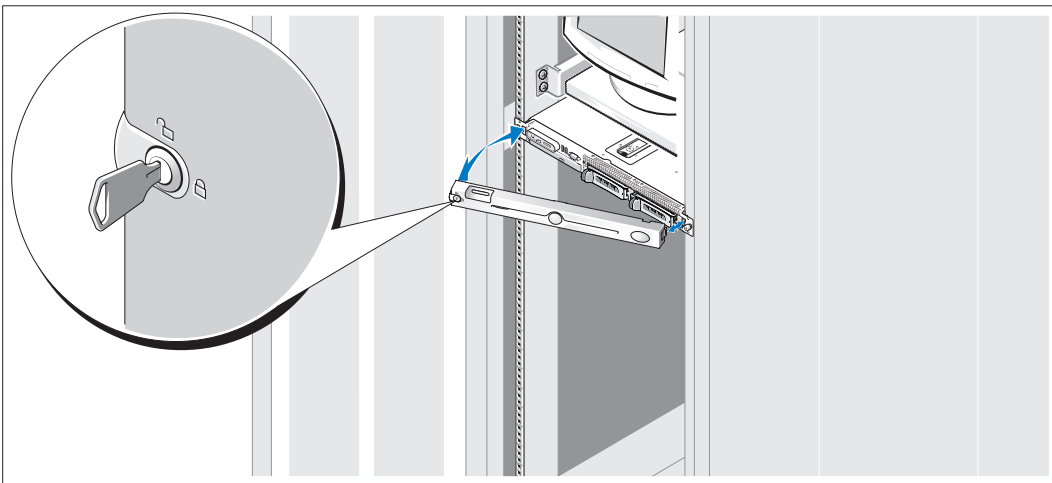
Turning on the System



- 8 Turn on the system and monitor (optional).

Press the power button on the system and the monitor. The power indicators should light. Adjust the monitor's controls until the displayed image is satisfactory.

Installing the Bezel



- 9 Install the bezel (optional).

Complete the Operating System Setup

If you purchased a preinstalled operating system, see the operating system documentation that ships with your system. To install an operating system for the first time, see the *Quick Installation Guide*. Be sure the operating system is installed before installing hardware or software not purchased with the system.

Technical Specifications

| Processor | |
|------------------|----------------------------------------------------------|
| Processor type | One or two dual-core Intel Xeon processors 5000 Sequence |

| Expansion Bus | |
|---------------------------------|-----------------------------------------------------|
| Bus type | PCI-X, PCIe |
| Expansion slots via riser card: | |
| PCI-X Center and Left Risers | Two full-height, half-length 3.3-V, 64-bit, 133-MHz |
| or | or |
| PCIe Center and Left Risers | Two x8 lane width |

| Memory | |
|--------------------------|--------------------------------------------------------------------------------------------------------------------------------------------------|
| Architecture | PC2-4200 533MHz fully-buffered DIMMs with ECC protection, with two-way lockstep operation (PC2-5300 667 MHz fully-buffered DIMMs when available) |
| Memory module sockets | Eight 240-pin |
| Memory module capacities | 256 MB, 512 MB, 1 GB, 2 GB , 4 GB |
| Minimum RAM | 512 MB (two 256-MB module) |
| Maximum RAM | 32 GB |

| Drives | |
|-------------------------|----------------------------------------------------------------------------|
| SAS or SATA hard drives | Up to two 3.5-inch, internal, hot-plug, (optional) with backplane support |
| or | or |
| SAS hard drives | Up to four 2.5-inch, internal, hot-plug, (optional) with backplane support |
| Optical drive | One optional slimline IDE CD-ROM, DVD-ROM/CD-RW combination, or DVD-ROM |
| | NOTE: DVD devices are data only |

Connectors

Back

| | |
|--------|--------------------------------------|
| NIC | Two RJ-45 (for integrated 1-GB NICs) |
| Serial | 9-pin, DTE, 16550-compatible |
| USB | Two 4 pin, USB 2.0 compliant |
| Video | 15-pin VGA |

Front

| | |
|-------|------------------------------|
| Video | 15 pin-VGA |
| USB | Two 4 pin, USB 2.0 compliant |

Video

| | |
|--------------|--------------------------------------------|
| Video type | ATI ES1000 video controller; VGA connector |
| Video memory | 16 MB of DDR SDRAM |

Power

AC power supply (per power supply)

| | |
|------------------------|---------------------------------------------------------------------------------------------------------------------------------------------------------|
| Wattage | 670 W |
| Voltage | 90–264 VAC, autoranging, 47-63 Hz, 10.0 A (at 90 VAC) |
| Heat dissipation | 2697 BTU/hr (maximum) |
| Maximum inrush current | Under typical line conditions and over the entire system ambient operating range, the inrush current may reach 55 A per power supply for 10 ms or less. |

Batteries

| | |
|-------------------------|-------------------------------------|
| System battery | CR 2032 3.0-V lithium ion coin cell |
| RAID battery (optional) | 4.1-V lithium ion battery pack |

Physical

| | |
|--------------------------------|-------------------|
| Height | 4.29 cm (1.69 in) |
| Width | 48.26 cm (19 in) |
| Depth | 76.2 cm (30 in) |
| Weight (maximum configuration) | 17.69 kg (39 lb) |

Environmental

NOTE: For additional information about environmental measurements for specific system configurations, see www.dell.com/environmental_datasheets

Temperature

| | |
|-----------|------------------------------|
| Operating | 10° to 35°C (50° to 95°F) |
| Storage | -40° to 65°C (-40° to 149°F) |

Relative humidity

| | |
|-----------|-----------------------------------------------------------------------------|
| Operating | 8% to 85% (noncondensing) with a maximum humidity gradation of 10% per hour |
| Storage | 5% to 95% (noncondensing) |

Maximum vibration

| | |
|-----------|-------------------------------|
| Operating | 0.25 G at 3–200 Hz for 15 min |
| Storage | 0.5 G at 3–200 Hz for 15 min |

Maximum shock

| | |
|-----------|-----------------------------------------------------------------------------------------------------------------------------------------------------|
| Operating | One shock pulse in the positive z axis (one pulse on each side of the system) of 41 G for up to 2 ms |
| Storage | Six consecutively executed shock pulses in the positive and negative x, y, and z axes (one pulse on each side of the system) of 71 G for up to 2 ms |

Altitude

| | |
|-----------|------------------------------------|
| Operating | -16 to 3048 m (-50 to 10,000 ft) |
| Storage | -16 to 10,600 m (-50 to 35,000 ft) |

Systemes Dell™ PowerEdge™ 1950

Guide de mise en route

Remarques, avis et précautions



REMARQUE : une REMARQUE indique des informations importantes qui peuvent vous aider à mieux utiliser votre ordinateur.



AVIS : un AVIS vous avertit d'un risque de dommage matériel ou de perte de données et vous indique comment éviter le problème.



PRÉCAUTION : une PRÉCAUTION indique un risque potentiel d'endommagement du matériel, de blessure corporelle ou de mort.

Les informations contenues dans ce document peuvent être modifiées sans préavis.

© 2005 Dell Inc. Tous droits réservés.

La reproduction de ce document de quelque manière que ce soit sans l'autorisation écrite de Dell Inc. est strictement interdite.

Marques utilisées dans ce document : *Dell*, le logo *DELL*, *PowerEdge* et *Dell OpenManage* sont des marques de Dell Inc. ; *Intel* et *Xeon* sont des marques déposées de Intel Corporation ; *Microsoft* et *Windows* sont des marques déposées de Microsoft Corporation ; *Windows Server* est une marque de Microsoft Corporation ; *Red Hat* est une marque déposée de Red Hat, Inc. ; *SUSE* est une marque déposée de SUSE LINUX Products GmbH.

Tous les autres noms de marques et marques commerciales utilisés dans ce document se rapportent aux sociétés propriétaires des marques et des noms de ces produits. Dell Inc. décline tout intérêt dans l'utilisation des marques déposées et des noms de marques ne lui appartenant pas.

Modèle EMU01

Novembre 2005

P/N YC585

Rev. A00

Caractéristiques du système

Les caractéristiques principales du système sont les suivantes :

- Un ou deux processeurs double cœur Intel® Xeon® 5000.
- Prise en charge du SMP (Symmetric Multiprocessing [multi-traitement symétrique]), disponible sur les systèmes dotés de deux microprocesseurs Intel Xeon. Le SMP améliore considérablement les performances du système en partageant les tâches de microprocesseurs entre des microprocesseurs indépendants. Pour utiliser cette fonctionnalité, vous devez utiliser un système d'exploitation prenant en charge le multi-traitement.



REMARQUE : si vous décidez de mettre le système à niveau en installant un second microprocesseur, vous devez commander les kits de mise à niveau chez Dell. Certaines versions du microprocesseur Intel Xeon ne fonctionnent pas correctement comme microprocesseurs supplémentaires. Le kit de mise à niveau de Dell contient la version de microprocesseur correcte et les instructions de mise à niveau. Les deux microprocesseurs doivent être cadencés à la même vitesse et avoir un cache de taille identique.

- Un minimum de 512 Mo sous forme de barrettes FB-DIMM (Fully Buffered DIMM), 533 à 667 MHz (selon disponibilité), extensibles à un maximum de 32 Go via l'installation de combinaisons de barrettes de 256 Mo, 512 Mo, 1 Go, 2 Go ou 4 Go dans les huit emplacements pour barrettes mémoire de la carte système.

Le système est également équipé d'une mémoire redondante, ce qui permet de bénéficier d'une réserve utilisée en cas de défaillance, ou d'une fonction de mise en miroir de la mémoire. Ces fonctions sont disponibles si les huit modules de mémoire installés sont identiques.

- Prise en charge des disques durs internes suivants (enfichables à chaud) : deux disques durs SAS de 3,5 pouces (10 000 ou 15 000 tr/m) ou SATA (7 200 tr/m), ou bien quatre disques SAS de 2,5 pouces (10 000 tr/m).
- Un lecteur de CD-ROM ou de DVD-ROM IDE slim, ou un lecteur combiné DVD-ROM/ CD-RW, tous deux en option.
- Jusqu'à deux blocs d'alimentation de 670 W enfichables à chaud dans une configuration redondante 1 + 1 (facultative).
- Quatre modules de ventilation, chacun comprenant deux ventilateurs à double rotor, soit un total de huit ventilateurs.

La carte système contient les éléments suivants :

- L'une des options suivantes pour la carte de montage :
 - Deux cartes de montage (gauche et centrale), chacune contenant un logement d'extension PCI-Express x8.
- OU
- Deux cartes de montage (gauche et centrale), chacune contenant un logement d'extension PCI-X 64 bits à 3,3 V et 133 MHz. Les logements d'extension se trouvent sur deux bus différents.

- Logement PCI réservé pour un adaptateur de bus hôte SAS intégré ou une carte contrôleur RAID intégrée en option avec mémoire cache de 256 Mo et pile RAID.



REMARQUE : le démarrage du système à partir d'un périphérique externe connecté à une carte SAS ou SCSI n'est pas pris en charge (cartes SAS 5/E, PERC 5/E et PERC 4e/DC incluses). Voir le site support.dell.com pour obtenir les informations les plus récentes concernant le démarrage à partir de périphériques externes.

- Deux NIC Ethernet Gigabit intégrés pouvant prendre en charge des débits de données de 10, 100 et 1 000 Mbps.
- Quatre connecteurs USB 2.0 (deux à l'avant et deux à l'arrière) pour la connexion d'un périphérique externe (lecteur de disquette ou de CD-ROM, clavier, souris ou lecteur flash USB).
- Un contrôleur d'accès à distance en option, pour la gestion de systèmes à distance.
- Un sous-système vidéo compatible VGA intégré avec un contrôleur vidéo PCI ATI ES1000 à 33 MHz. Le sous-système vidéo contient un minimum de 16 Mo de mémoire graphique avec prise en charge des graphiques en 2D. La définition maximale prise en charge est de 1600 x 1200 avec 65 536 couleurs. Les graphiques True-color sont pris en charge dans les définitions suivantes : 640 x 480, 800 x 600, 1024 x 768 et 1280 x 1024. Lorsque la carte d'accès à distance en option est installée, la définition vidéo est de 1280 x 1024.
- Des circuits intégrés de gestion de systèmes surveillant le fonctionnement des ventilateurs, ainsi que les tensions et les températures critiques. Ces circuits de surveillance fonctionnent de pair avec les logiciels de gestion de systèmes.
- Le panneau arrière contient le port série et les connecteurs vidéo, USB (2) et deux connecteurs de NIC.
- Les connecteurs du panneau avant comprennent un connecteur vidéo et deux connecteurs USB.
- Un écran LCD 1x5 sur le panneau avant, affichant l'ID du système et les messages d'erreur.

Pour plus d'informations sur des caractéristiques spécifiques, voir “Spécifications techniques”, à la page 22.

Systèmes d'exploitation pris en charge


Le système prend en charge les systèmes d'exploitation suivants :

- Microsoft® Windows Server™ 2003 Standard Edition, Enterprise Edition et Web Edition
- Microsoft Windows Server 2003 Standard Edition et Enterprise x64 Edition
- Red Hat® Enterprise Linux AS, ES et WS (versions 3 et 4) pour Intel x86
- Red Hat Enterprise Linux AS, ES et WS (version 4) pour Intel EM64T
- SUSE® Linux Enterprise Server 9 pour Intel EM64T
- Novell® NetWare® 6.5 (selon disponibilité, non installé en usine)

Autres informations utiles

 **PRÉCAUTION** : le *Guide d'informations sur le produit* contient d'importantes informations se rapportant à la sécurité et aux réglementations. Les informations sur la garantie se trouvent soit dans ce document, soit à part.

- Le document *Instructions d'installation du rack* ou le *Guide d'installation du rack* fournis avec la solution rack décrivent l'installation du système.
- Le document *Hardware Owner's Manual* (Manuel du propriétaire) contient des informations sur les caractéristiques du système, ainsi que des instructions relatives au dépannage et à l'installation ou au remplacement de composants. Il se trouve sur les CD fournis avec le système et sur le site support.dell.com.
- Les CD fournis avec le système contiennent des documents et des outils relatifs à la configuration et à la gestion du système.
- Des mises à jour sont parfois fournies avec le système. Elles décrivent les modifications apportées au système, aux logiciels ou à la documentation.

 **REMARQUE** : vérifiez toujours si des mises à jour sont disponibles sur le site support.dell.com et lisez-les en premier, car elles remplacent souvent les informations contenues dans les autres documents.


- Des notes de version ou des fichiers lisez-moi (readme) sont parfois fournis ; ils contiennent des mises à jour de dernière minute apportées au système ou à la documentation, ou des documents de référence technique avancés destinés aux utilisateurs expérimentés ou aux techniciens.

Obtention d'une assistance technique

Si vous ne comprenez pas une procédure décrite dans ce guide ou si le système ne réagit pas comme prévu, consultez le document *Hardware Owner's Manual* (Manuel du propriétaire).

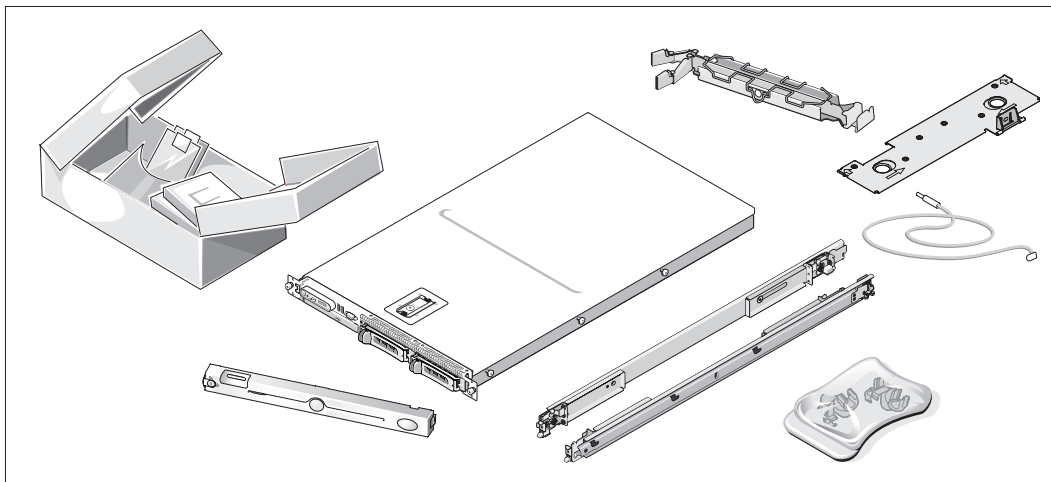
Des formations et certifications Dell™ Enterprise sont disponibles. Pour plus d'informations, consultez le site www.dell.com/training. Ce service n'est disponible que dans certains pays.

Installation et configuration

 **PRÉCAUTION** : avant d'exécuter la procédure suivante, lisez les consignes de sécurité et les informations importantes sur les réglementations figurant dans le *Guide d'informations sur le produit*. Veillez à les respecter scrupuleusement.

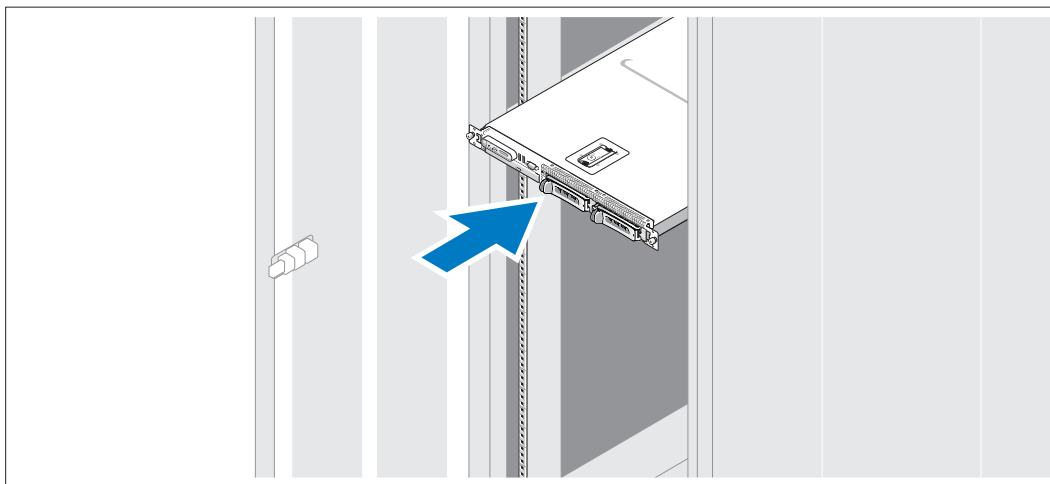
Cette section décrit les étapes à exécuter lors de la configuration initiale du système.

Déballage du système



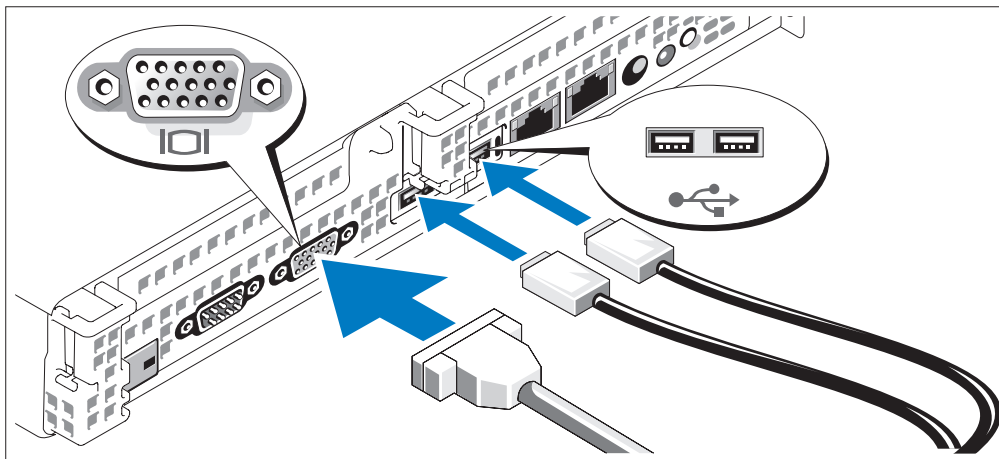
- 1 Sortez le système de son emballage et identifiez chaque élément fourni.
Conservez les matériaux d'emballage au cas où vous en auriez besoin ultérieurement.

Installation des rails et du système dans un rack



- 2 Commencez par lire les consignes de sécurité qui se trouvent dans la documentation d'installation du rack, puis installez le système dans le rack.
Consultez la documentation d'installation du rack pour obtenir les instructions appropriées.

Connexion du clavier, de la souris et du moniteur

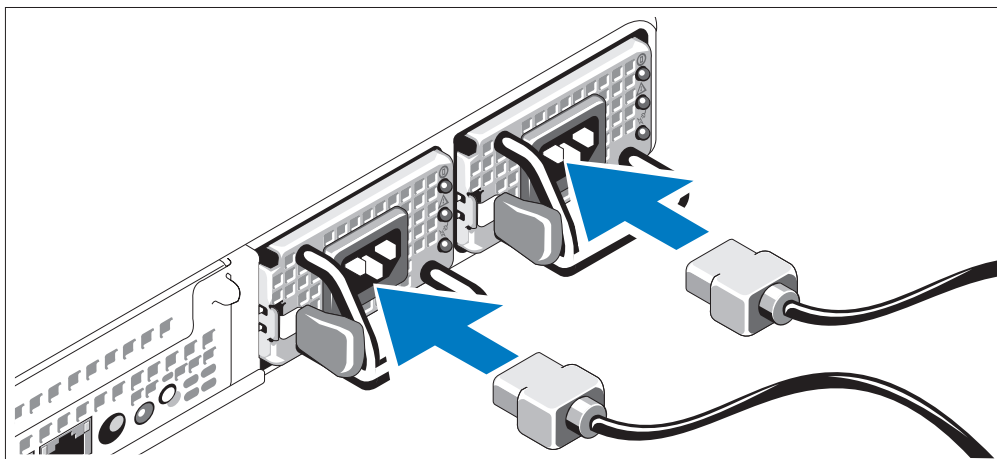


- 3 Connectez le clavier, la souris et le moniteur (facultatif).

À l'arrière du système, de petites icônes indiquent quel câble doit être inséré dans chaque connecteur. N'oubliez pas de serrer les vis situées sur le connecteur du câble du moniteur, s'il en est équipé.

REMARQUE : vous ne pouvez utiliser qu'un seul écran à la fois. Si vous connectez deux moniteurs au système à l'aide des connecteurs vidéo avant et arrière, le système utilise par défaut le connecteur avant.

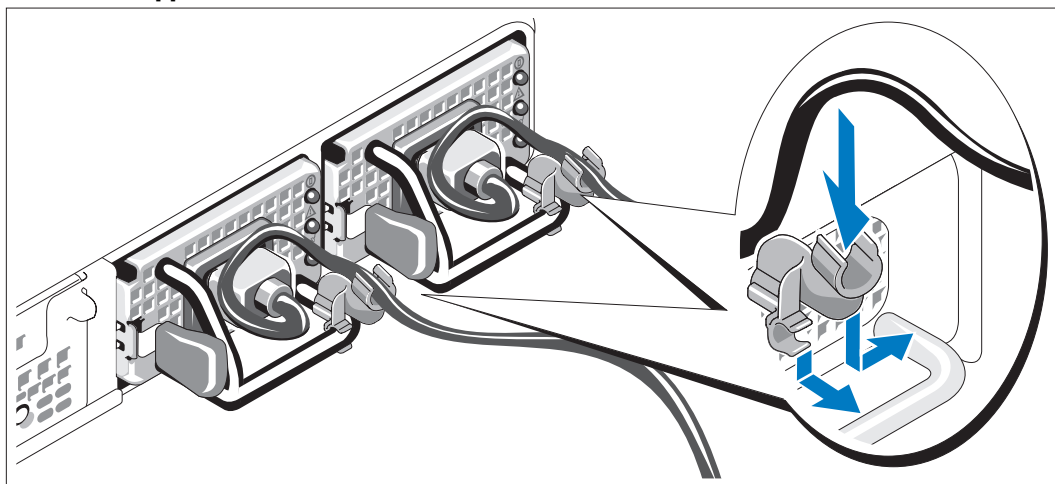
Connexion des cordons d'alimentation



- 4 Branchez le cordon d'alimentation sur le système.

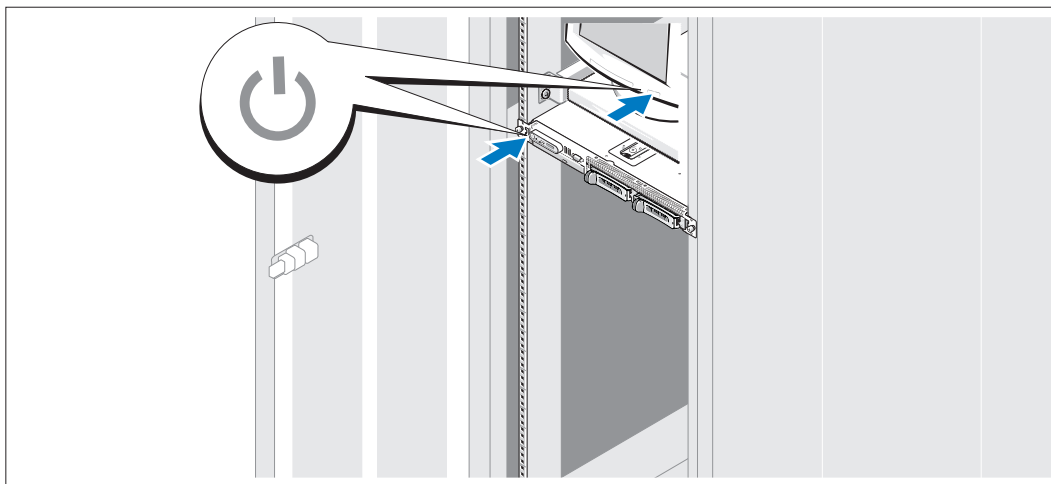
- 5 Branchez ensuite l'autre extrémité du cordon sur une prise de courant mise à la terre ou sur une source d'alimentation autonome (onduleur ou unité de distribution de l'alimentation).

Fixation du support du cordon d'alimentation (facultatif)



- 6 Fixez le support du cordon sur la partie droite de la poignée du bloc d'alimentation. Faites une boucle comme indiqué dans l'illustration et insérez le cordon d'alimentation dans le clip du support. Recommencez cette procédure pour le second bloc d'alimentation.
- 7 Branchez ensuite l'autre extrémité des cordons sur une prise de courant mise à la terre ou sur une source d'alimentation autonome (onduleur ou unité de distribution de l'alimentation).

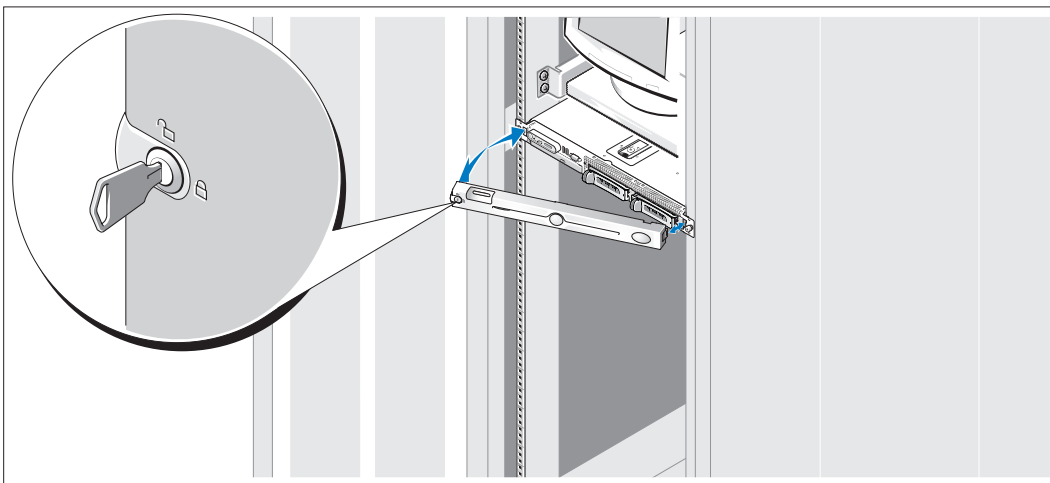
Mise sous tension du système



- 8 Mettez le système sous tension, ainsi que le moniteur, si nécessaire.

Appuyez sur le bouton d'alimentation du système et sur celui du moniteur. Les voyants d'alimentation doivent s'allumer. Réglez le moniteur jusqu'à ce que l'image affichée soit correcte.

Installation du cadre



- 9 Installez le cadre (facultatif).

Finalisation de l'installation du système d'exploitation

Si vous avez acheté un système d'exploitation préinstallé, consultez tout d'abord la documentation du système d'exploitation qui vous a été fournie avec le système. Si vous installez un système d'exploitation pour la première fois, consultez le document *Quick Installation Guide* (Guide d'installation rapide). Veillez à installer le système d'exploitation avant tout élément matériel ou logiciel acheté séparément.

Spécifications techniques

| Processeur | |
|--------------------|----------------------------------------------------|
| Type de processeur | Un ou deux processeurs double cœur Intel Xeon 5000 |

| Bus d'extension | |
|----------------------------------------------------------|------------------------------------------------------------------------------------|
| Type de bus | PCI-X, PCIe |
| Logements d'extension fournis par une carte de montage : | |
| PCI-X (cartes de montage de gauche et centrale) | Deux logements 64 bits pleine hauteur, mi-longueur, fonctionnant à 3,3 V (133 MHz) |
| ou | ou |
| PCIe (cartes de montage de gauche et centrale) | Deux logements x8 |

| Mémoire | |
|-------------------------------|--------------------------------------------------------------------------------------------------------------------------------------------------------------------------------|
| Architecture | Barrettes FB-DIMM (Fully-Buffered DIMM) PC2-4200 à 533 MHz, avec protection ECC et fonctionnement lockstep à deux voies (ou barrettes PC2-5300 à 667 MHz, selon disponibilité) |
| Supports de module de mémoire | Huit à 240 broches |
| Modules mémoire compatibles | 256 Mo, 512 Mo, 1 Go, 2 Go ou 4 Go |
| RAM minimale | 512 Mo (deux modules de 256 Mo) |
| RAM maximale | 32 Go |

| Lecteurs | |
|--------------------------|-------------------------------------------------------------------------------------------------------------------------------------------------------------------------------------------------|
| Disques durs SAS ou SATA | Jusqu'à deux lecteurs internes de 3,5 pouces, enfichables à chaud, pouvant être supportés par le fond de panier (facultatif) |
| ou | ou |
| Disques durs SAS | Jusqu'à quatre lecteurs internes de 2,5 pouces, enfichables à chaud, pouvant être supportés par le fond de panier (facultatif) |
| Lecteur optique | Un lecteur de CD-ROM ou de DVD-ROM IDE slim, ou un lecteur combiné DVD-ROM/ CD-RW, tous deux en option REMARQUE : les périphériques DVD sont uniquement des périphériques de données. |

Connecteurs

À l'arrière

| | |
|-------|---------------------------------------------------|
| NIC | Deux connecteurs RJ-45 (pour NIC 1 Gb intégrés) |
| Série | Connecteur DTE à 9 broches, compatible 16550 |
| USB | Deux connecteurs à 4 broches, compatibles USB 2.0 |
| Vidéo | VGA, 15 broches |

À l'avant

| | |
|-------|---------------------------------------------------|
| Vidéo | VGA, 15 broches |
| USB | Deux connecteurs à 4 broches, compatibles USB 2.0 |

Vidéo

| | |
|---------------|----------------------------------------------|
| Type de vidéo | Contrôleur vidéo ATI ES1000 ; connecteur VGA |
| Mémoire vidéo | 16 Mo, DDR SDRAM |

Alimentation

Bloc d'alimentation CA (selon la tension en vigueur)

| | |
|--------------------------|-----------------------------------------------------------------------------------------------------------------------------------------------------------------------------------------------------------|
| Puissance | 670 W |
| Tension | 90-264 VCA avec sélection automatique de la tension ; 47-63 Hz ; 10,0 A (à 90 VCA) |
| Dissipation thermique | 2697 BTU/h (680 kcal/h) maximum |
| Appel de courant maximal | Dans des conditions de lignes typiques et dans toute la gamme ambiante de fonctionnement du système, l'appel de courant peut atteindre 55 A par bloc d'alimentation pendant un maximum de 10 ms. |

Piles

| | |
|-----------------------|--------------------------------------------|
| Pile du système | Pile bouton au lithium-ion CR 2032 (3,0 V) |
| Pile RAID (en option) | Pack 4,1 V au lithium-ion |

Caractéristiques physiques

| | |
|--------------------------------|-----------------------|
| Hauteur | 4,29 cm (1,69 pouces) |
| Largeur | 48,26 cm (19 pouces) |
| Profondeur | 76,2 cm (30 pouces) |
| Poids (configuration maximale) | 17,69 kg (39 livres) |

Environnement

REMARQUE : pour plus d'informations concernant les mesures d'exploitation liées à différentes configurations spécifiques, rendez-vous sur le site www.dell.com/environmental_datasheets.

Température

| | |
|-------------------|---------------------------------|
| En fonctionnement | De 10° à 35° C (50 à 95° F) |
| Stockage | De -40° à 65° C (-40° à 149 °F) |

Humidité relative

| | |
|-------------------|--------------------------------------------------------------------------------------|
| En fonctionnement | De 8% à 85% (sans condensation) avec un gradient d'humidité maximal de 10% par heure |
| Stockage | De 5 % à 95 % (sans condensation) |

Tolérance maximale aux vibrations

| | |
|----------------|------------------------------------|
| Fonctionnement | 0,25 G de 3 à 200 Hz pendant 15 mn |
| Stockage | 0,5 G de 3 à 200 Hz pendant 15 mn |

Choc maximal

| | |
|----------------|-------------------------------------------------------------------------------------------------------------------------------------------------|
| Fonctionnement | Une impulsion de choc de 41 G pendant un maximum de 2 ms sur l'axe z positif (une impulsion de chaque côté du système) |
| Stockage | Six chocs consécutifs de 71 G pendant un maximum de 2 ms en positif et négatif sur les axes x, y et z (une impulsion de chaque côté du système) |

Altitude

| | |
|----------------|----------------------------------------|
| Fonctionnement | De -16 à 3 048 m (-50 à 10 000 pieds) |
| Stockage | De -16 à 10 600 m (-50 à 35 000 pieds) |

Sistemas Dell™ PowerEdge™ 1950

Primeiros passos com o sistema

Notas, avisos e cuidados



NOTA: As NOTAS fornecem informações importantes que o ajudam a utilizar melhor o computador.



AVISO: As mensagens de AVISO informam sobre possíveis danos ao hardware ou perda de dados e indicam como evitar o problema.



CUIDADO: As mensagens de CUIDADO indicam possíveis danos de propriedade, ferimentos pessoais ou morte.

As informações contidas neste documento estão sujeitas a alterações sem aviso prévio.

© 2005 Dell Inc. Todos os direitos reservados.

Fica proibida a reprodução por quaisquer meios sem a permissão por escrito da Dell Inc.

Marcas comerciais mencionadas neste texto: *Dell*, o logotipo da *DELL*, *PowerEdge* e *Dell OpenManage* são marcas comerciais da Dell Inc.; *Intel* e *Xeon* são marcas registradas da Intel Corporation; *Microsoft* e *Windows* são marcas registradas e *Windows Server* é marca comercial da Microsoft Corporation; *Red Hat* é marca registrada da Red Hat, Inc.; *SUSE* é marca registrada da SUSE LINUX Products GmbH.

Outras marcas e nomes comerciais podem ser mencionados neste documento em referência às entidades proprietárias das marcas e nomes ou seus produtos. A Dell Inc. renuncia ao direito de qualquer participação em nomes e marcas comerciais que não sejam de sua propriedade.

Modelo EMU01

Novembro de 2005

P/N YC585

Rev. A00

Recursos do sistema

Os principais recursos de hardware e software do sistema incluem:

- Um ou dois processadores Intel® Xeon® Dual Core Série 5000.
- Suporte para multiprocessamento simétrico (SMP), disponível nos sistemas com dois microprocessadores Intel Xeon. O SMP melhora enormemente o desempenho geral do sistema dividindo as operações do microprocessador entre microprocessadores independentes. Para tirar vantagem desse recurso, utilize um sistema operacional que suporte o multiprocessamento.



NOTA: Se decidir atualizar o sistema por meio da instalação de um segundo microprocessador, solicite os kits de atualização de microprocessador da Dell. Nem todas as versões de microprocessador Intel Xeon irão funcionar de forma adequada como microprocessadores adicionais. O kit de atualização da Dell contém a versão correta do microprocessador, bem como as instruções para a execução da atualização. Os dois microprocessadores devem ter a mesma frequência operacional interna e o mesmo tamanho de cache.

- Memória mínima de 512 MB com Fully Buffered DIMMs (FBD) de 533 MHz ou 667 MHz (quando disponível), atualizável até o máximo de 32 GB por meio da instalação de combinações de módulos de memória de 256 MB, 512 MB, 1 GB, 2 GB ou 4 GB nos oito soquetes para módulos de memória existentes na placa do sistema.

O sistema também apresenta o recurso de memória redundante que proporciona reserva ou espelhamento de memória. Esses recursos estarão disponíveis se oito módulos de memória idênticos forem instalados.

- Suporte para duas unidades de disco rígido SAS (Serial Attached SCSI) de 10.000 rpm ou 15.000 rpm ou SATA (7.200 rpm) internas de 3,5 polegadas e com conexão automática; ou suporte para até quatro unidades de disco rígido SAS (10.000 rpm) internas de 2,5 polegadas e com conexão automática.
- Uma unidade IDE de CD-ROM, DVD-ROM ou DVD-ROM/CD-RW de linha fina.
- Até duas fontes de alimentação de 670 W com conexão automática, em uma configuração redundante 1+1 (opcional).
- Quatro módulos de ventilador, cada um deles composto por dois ventiladores de rotor duplo, para um total de oito ventiladores.

A placa de sistema inclui os seguintes recursos:

- Uma das seguintes opções de placa riser:
 - Duas placas riser (esquerda e central), cada uma delas proporcionando um slot de expansão PCI-Express com largura de pista x8.

OU

- Duas placas riser (esquerda e central), cada uma delas proporcionando um slot de expansão PCI-X de 133 MHz de 64 bits e 3,3 V. Os slots de expansão estão em dois barramentos separados.

- Slot PCI dedicado para um adaptador de barramento host SAS integrado ou uma placa controladora RAID integrada opcional, com 256 MB de memória cache e uma bateria RAID.



NOTA: A inicialização do sistema não tem suporte de dispositivos externos conectados ao adaptador SAS ou SCSI, incluindo SAS 5/E, PERC 5/E ou PERC 4e/DC. Visite o site support.dell.com (em Inglês) para obter as informações de suporte mais recentes sobre a inicialização a partir de dispositivos externos.

- Duas placas NIC Gigabit Ethernet integradas, capazes de suportar taxas de dados de 10 Mbps, 100 Mbps e 1.000 Mbps.
- Quatro conectores compatíveis com USB 2.0, dois na parte frontal e dois na parte traseira, capazes de suporte externo para unidades de disquete, unidades de CD-ROM, teclado, mouse ou unidades flash USB.
- Controlador de acesso remoto (RAC) para o gerenciamento remoto de sistemas.
- Um subsistema de vídeo compatível com o padrão VGA, com um controlador de vídeo PCI ATI ES1000 de 33 MHz. Esse subsistema de vídeo contém memória gráfica mínima de 16 MB com suporte para gráficos 2 D. A resolução máxima é de 1600x1200 com 65.536 cores e os gráficos do tipo true-color têm suporte nas seguintes resoluções: 640 x 480, 800 x 600, 1024 x 768 e 1280 x 1024. Quando houver a instalação de uma placa de acesso remoto opcional, a resolução de vídeo máxima será de 1280x1024.
- Circuito de gerenciamento de sistemas que monitora o funcionamento dos ventiladores do sistema e as voltagens e temperaturas críticas. O circuito de gerenciamento de sistemas trabalha em conjunto com o software de gerenciamento de sistemas.
- Os conectores do painel traseiro incluem um conector serial, um conector de vídeo, dois conectores USB e dois conectores NIC.
- Os conectores do painel frontal incluem um conector de vídeo e dois conectores USB.
- Um visor LCD de 1x5 pol. no painel frontal para visualização da identificação do sistema e de mensagens de erro.

Para obter mais informações sobre recursos específicos, consulte a seção “Especificações técnicas” na página 34.

Sistemas operacionais admitidos


O sistema admite para os seguintes sistemas operacionais:

- Microsoft® Windows Server™ 2003, nas edições Standard, Enterprise e Web
- Microsoft Windows Server 2003, nas edições x64 Standard e Enterprise
- Red Hat® Enterprise Linux AS, ES e WS (versões 3 e 4) para Intel x86
- Red Hat Enterprise Linux AS, ES, WS (versão 4) para Intel Extended Memory 64 Technology (Intel EM64T)
- SUSE® Linux Enterprise Server 9 para Intel EM64T
- Novell® NetWare® 6.5, quando disponível (não disponível como de fábrica)

Outras informações úteis

 **CUIDADO:** O *Guia de informações do produto* fornece informações importantes sobre segurança e regulamentação. As informações sobre garantia podem estar incluídas neste documento ou serem fornecidas como documento separado.

- O documento *Rack Installation Guide* (Guia para instalação em rack) ou *Rack Installation Instructions* (Instruções para montagem em rack) incluído com a solução em rack descreve como instalar o sistema em racks.
- O *Hardware Owner's Manual* (Manual do proprietário de hardware) fornece informações sobre os recursos do sistema e descreve como solucionar problemas do sistema e instalar ou substituir seus componentes. Esse documento pode ser encontrado nos CDs que acompanham o sistema ou no site support.dell.com (em Inglês).
- Os CDs incluídos com o sistema fornecem documentação e ferramentas para a configuração e o gerenciamento do sistema.
- Às vezes, atualizações são fornecidas com o sistema para descrever mudanças ao sistema, software e/ou à documentação.

 **NOTA:** Verifique sempre as atualizações disponíveis no site support.dell.com (em Inglês) e leia sempre as atualizações em primeiro lugar, pois estas geralmente substituem informações contidas em outros documentos.

- Talvez existam notas de versão e arquivos leia-me incluídos, para fornecer atualizações de última hora do sistema ou documentação/material para referência técnica avançada destinados a usuários experientes ou técnicos.

Como obter assistência técnica

Se não compreender algum procedimento descrito neste guia ou se o sistema não apresentar o desempenho esperado, consulte o *Hardware Owner's Manual* (Manual do proprietário de hardware).

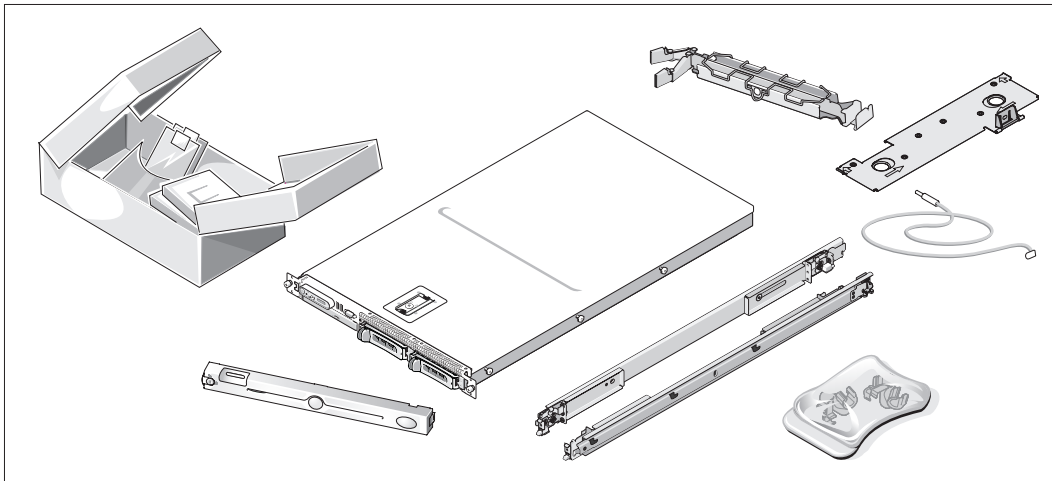
Existem recursos de treinamento e certificação empresarial da Dell™; visite o site www.dell.com/training (em Inglês) para obter mais informações. Esse serviço pode não ser oferecido em todos os locais.

Instalação e configuração

 **CUIDADO:** Antes de realizar o seguinte procedimento, leia e siga as instruções de segurança e as informações importantes sobre regulamentação contidas no *Guia de informações do produto*.

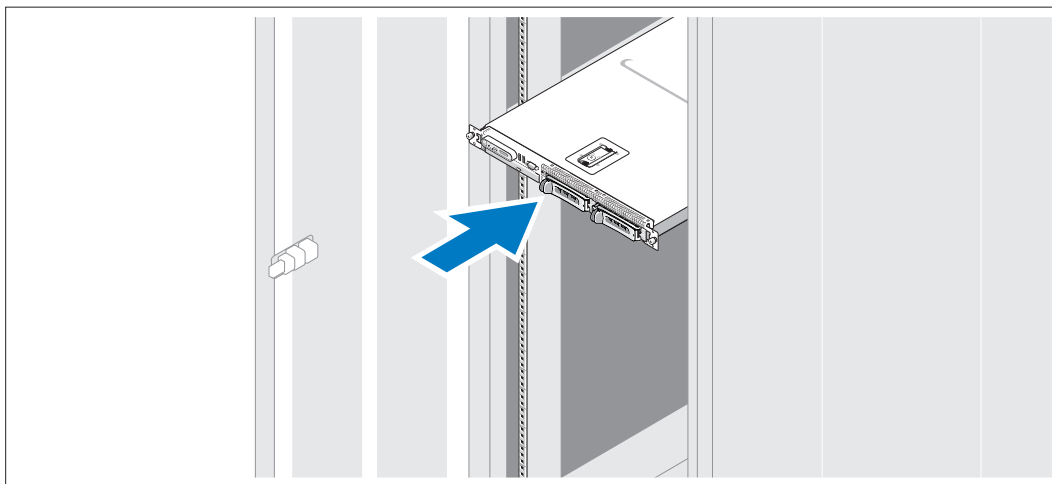
Esta seção descreve as etapas para a configuração do sistema pela primeira vez.

Remoção do sistema da embalagem



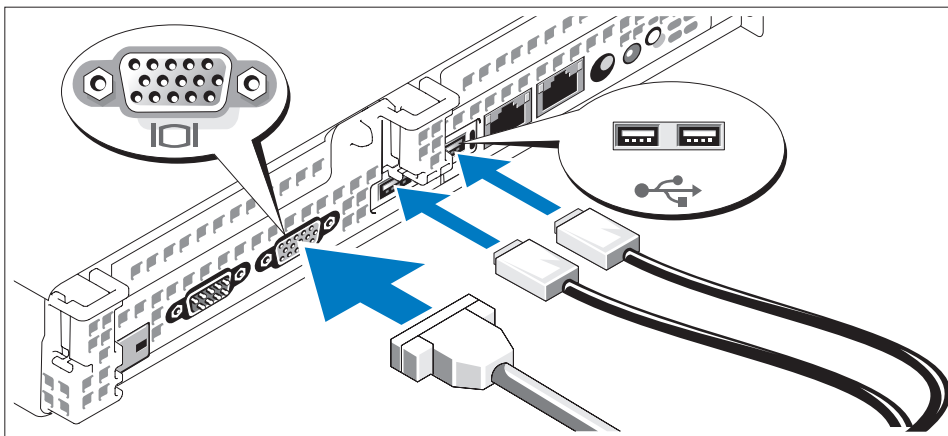
- 1** Remova o sistema da embalagem e identifique cada item.
Guarde todos os materiais de envio caso sejam necessários mais tarde.

Instalação do trilho e do sistema no rack



- 2** Instale o sistema no rack depois de ler as instruções de segurança localizadas na documentação de instalação em rack para o sistema.
Consulte o documento de instalação em rack para obter instruções sobre como instalar o sistema em um rack.

Conexão de teclado, mouse e monitor

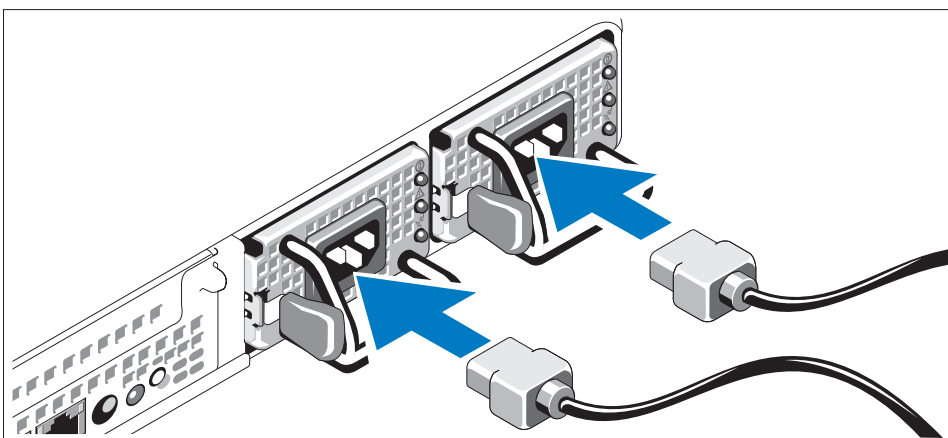


- 3 Conecte o teclado, o mouse e o monitor (opcional).

Os conectores localizados na parte traseira do sistema possuem ícones indicando quais cabos devem ser ligados a cada conector. Certifique-se de apertar os parafusos (se houver) no conector do cabo do monitor.

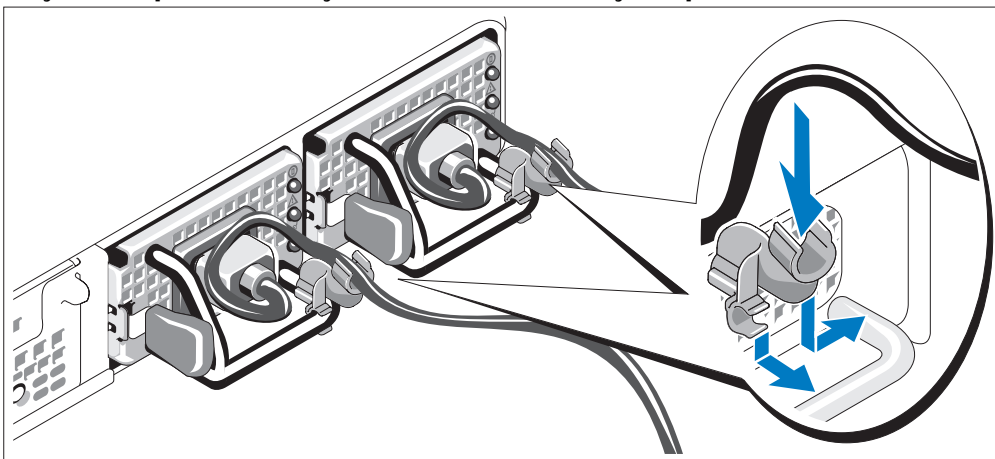
NOTA: Se conectar simultaneamente dois monitores ao sistema por meio das conexões de vídeo frontal e traseira, o vídeo irá adotar como padrão a conexão frontal, uma vez que somente um visor poderá funcionar de cada vez.

Conexão da energia



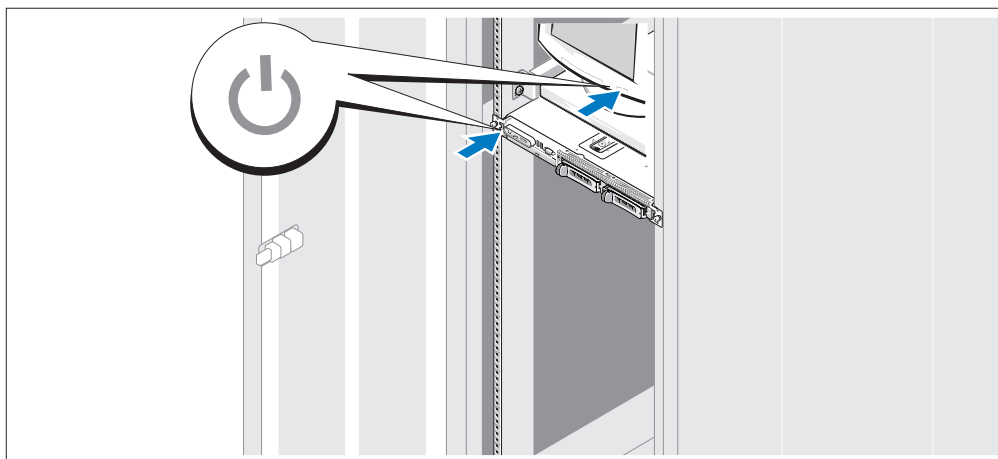
- 4 Conecte os cabos de alimentação ao sistema.
- 5 Conecte a outra extremidade do cabo a uma tomada elétrica aterrada ou a uma fonte de energia separada como, por exemplo, uma UPS (Uninterrupted Power Supply – Fonte de alimentação contínua) ou uma PDU (Power Distribution Unit – Unidade de distribuição de energia).

Instalação do suporte de retenção do cabo de alimentação (opcional)



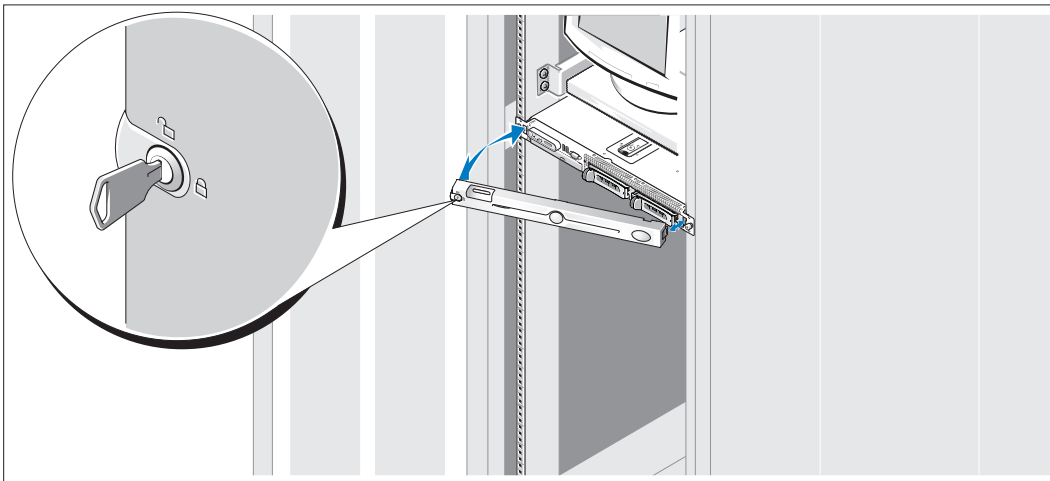
- 6 Conecte o suporte de retenção do cabo de alimentação na dobra direita da alça da fonte de alimentação. Dobre o cabo de alimentação do sistema em forma de laço conforme apresentado na ilustração e conecte-o ao colchete do cabo localizado no suporte. Repita o procedimento para a segunda fonte de alimentação.
- 7 Conecte a outra extremidade dos cabos de alimentação a uma tomada elétrica aterrada ou a uma fonte de energia separada como, por exemplo, uma UPS ou uma PDU.

Como ligar o sistema



- 8 Ligue o sistema e o monitor (opcional).
Pressione o botão Liga/Desliga do sistema e do monitor. As luzes indicadoras de energia deverão se acender. Ajuste os controles do monitor até que a imagem exibida seja satisfatória.

Instalação do painel



- 9 Instale o painel frontal (opcional).

Conclua a configuração do sistema operacional

Caso tenha adquirido um sistema operacional pré-instalado, consulte a respectiva documentação fornecida com o sistema. Para instalar um sistema operacional pela primeira vez, consulte o *Guia de instalação rápida*. Certifique-se de que o sistema operacional esteja instalado antes de instalar qualquer hardware ou software que não tenha sido adquirido com o sistema.

Especificações técnicas

| Processador | |
|---------------------|----------------------------------------------------------|
| Tipo de processador | Um ou dois processadores Intel Xeon Dual Core Série 5000 |

| Barramento de expansão | |
|---------------------------------------------------------------------------------------------------------------|-----------------------------------------------------------------------------------------------------------------------------|
| Tipo de barramento | PCI-X, PCIe |
| Slots de expansão via placa riser: Risers central e esquerda PCI-X ou Risers central e esquerda PCIe | Duas placas de 133 MHz de 64 bits e 3,3 V, com altura total e meio-comprimento ou Duas placas com largura de pista x8 |

| Memória | |
|------------------------------------|----------------------------------------------------------------------------------------------------------------------------------------------------------------------|
| Arquitetura | Fully Buffered DIMMs PC2-4200 de 533 MHz com proteção ECC, com funcionamento por lockstep de duas vias (Fully Buffered DIMMs PC2-5300 de 667 MHz, quando disponível) |
| Soquetes dos módulos de memória | Oito de 240 pinos |
| Capacidades dos módulos de memória | 256 MB, 512 MB, 1 GB, 2 GB, 4 GB |
| RAM mínima | 512 MB (dois módulos de 256 MB) |
| RAM máxima | 32 GB |

| Unidades | |
|--------------------------------------|------------------------------------------------------------------------------------------------------|
| Unidades de disco rígido SAS ou SATA | Até duas unidades internas de 3,5 pol. com conexão automática (opcional) e com suporte a backplane |
| ou | ou |
| Unidades de disco rígido SAS | Até quatro unidades internas de 2,5 pol. com conexão automática (opcional) e com suporte a backplane |
| Unidade óptica | Uma unidade IDE de CD-ROM, combinação de DVD-ROM/CD-RW ou de DVD-ROM de linha fina. |

NOTA: Os dispositivos de DVD destinam-se somente a dados.

Conectores

Parte posterior

| | |
|--------|-------------------------------------------|
| NIC | Dois RJ-45 (para NICs de 1 GB integradas) |
| Serial | DTE de 9 pinos, compatível com 16550 |
| USB | Dois de 4 pinos, compatível com USB 2.0 |
| Vídeo | VGA de 15 pinos |

Parte frontal

| | |
|-------|-----------------------------------------|
| Vídeo | VGA de 15 pinos |
| USB | Dois de 4 pinos, compatível com USB 2.0 |

Vídeo

| | |
|------------------|-----------------------------------------------|
| Tipo de vídeo | Controlador de vídeo ATI ES1000; conector VGA |
| Memória de vídeo | 16 MB de DDR SDRAM |

Energia

Fonte de alimentação CA (por fonte de alimentação)

| | |
|----------------------------|---------------------------------------------------------------------------------------------------------------------------------------------------------------------------------------------------------|
| Potência | 670 W |
| Voltagem | 90-264 VCA, variação automática, 47-63 Hz, 10,0 A (a 90 VCA) |
| Dissipação de calor | 2697 BTU/h (máxima) |
| Corrente de entrada máxima | Sob condições de linha típicas e dentro de todo o intervalo de temperatura ambiente de funcionamento do sistema, a corrente de entrada poderá atingir 55 A por fonte de alimentação por 10 ms ou menos. |

Baterias

| | |
|-------------------------|--------------------------------------------------------|
| Bateria do sistema | Pilha do tipo moeda, de íon de lítio, CR 2032 de 3,0 V |
| Bateria RAID (opcional) | Pacote de bateria de íon de lítio de 4,1 V |

Físicas

| | |
|----------------------------|---------------------|
| Altura | 4,29 cm (1,69 pol.) |
| Largura | 48,26 cm (19 pol.) |
| Profundidade | 76,2 cm (30 pol.) |
| Peso (configuração máxima) | 17,69 kg (39 lb.) |

Ambientais

NOTA: Para obter informações adicionais sobre os valores ambientais para configurações de sistema específicas, visite o site www.dell.com/environmental_datasheets (em Inglês).

Temperatura

| | |
|---------------|----------------------------------|
| Operacional | 10 °C a 35 °C (50 °F a 95 °F) |
| Armazenamento | -40 °C a 65 °C (-40 °F a 149 °F) |

Umidade relativa

| | |
|---------------|---------------------------------------------------------------------------|
| Operacional | 8% a 85% (sem condensação) com variação de umidade máxima de 10% por hora |
| Armazenamento | 5% a 95% (sem condensação) |

Vibração máxima

| | |
|---------------|----------------------------------|
| Operacional | 0,25 G a 3-200 Hz por 15 minutos |
| Armazenamento | 0,5 G a 3-200 Hz por 15 minutos |

Choque máximo

| | |
|---------------|--------------------------------------------------------------------------------------------------------------------------------------------------------|
| Operacional | Um pulso de choque no eixo z positivo (um pulso de cada lado do sistema) de 41 G por até 2 ms |
| Armazenamento | Seis pulsos de choque executados de forma consecutiva nos eixos x, y e z positivos e negativos (um pulso de cada lado do sistema) de 71 G por até 2 ms |

Altitude

| | |
|---------------|-------------------------------------|
| Operacional | -16 m a 3.048 m (-50 a 10.000 pés) |
| Armazenamento | -16 m a 10.600 m (-50 a 35.000 pés) |

Sistemas Dell™ PowerEdge™ 1950

Procedimientos iniciales con el sistema

Notas, avisos y precauciones



NOTA: una NOTA proporciona información importante que le ayudará a utilizar mejor el ordenador.



AVISO: un AVISO indica la posibilidad de daños en el hardware o la pérdida de datos, e informa de cómo evitar el problema.



PRECAUCIÓN: un mensaje de PRECAUCIÓN indica el riesgo de daños materiales, lesiones o incluso la muerte.

La información contenida en este documento puede modificarse sin previo aviso.

© 2005 Dell Inc. Reservados todos los derechos.

Queda estrictamente prohibida la reproducción de este documento en cualquier forma sin la autorización por escrito de Dell Inc.

Marcas comerciales utilizadas en este texto: *Dell*, el logotipo de *DELL*, *PowerEdge* y *Dell OpenManage* son marcas comerciales de Dell Inc.; *Intel* y *Xeon* son marcas comerciales registradas de Intel Corporation; *Microsoft* y *Windows* son marcas comerciales registradas, y *Windows Server* es una marca comercial de Microsoft Corporation; *Red Hat* es una marca comercial registrada de Red Hat, Inc.; *SUSE* es una marca comercial registrada de SUSE LINUX Products GmbH.

Otras marcas y otros nombres comerciales pueden utilizarse en este documento para hacer referencia a las entidades que los poseen o a sus productos. Dell Inc. renuncia a cualquier interés sobre la propiedad de marcas y nombres comerciales que no sean los suyos.

Modelo EMU01

Noviembre de 2005

P/N YC585

Rev. A00

Características del sistema

Éstas son las características principales de hardware y software del sistema:

- Uno o dos procesadores Intel® Xeon® de doble núcleo 5000 Sequence.
- Compatibilidad con SMP (multiprocesamiento simétrico), que está disponible en sistemas con dos microprocesadores Intel Xeon. SMP mejora en gran medida el rendimiento global del sistema al dividir las operaciones del microprocesador entre microprocesadores independientes. Para aprovechar esta función, se debe usar un sistema operativo que admita el multiprocesamiento.



NOTA: si decide actualizar el sistema instalando un segundo microprocesador, debe solicitar los kits de actualización del microprocesador a Dell. No todas las versiones del microprocesador Intel Xeon funcionarán correctamente como microprocesadores adicionales. El kit de actualización de Dell contiene la versión correcta del microprocesador, así como las instrucciones para llevar a cabo la actualización. Ambos microprocesadores deben tener la misma frecuencia de funcionamiento interna y el mismo tamaño de caché.

- Un mínimo de 512 MB en DIMM con búfer completo (FBD) a 533 o 667 MHz (si está disponible), actualizables a un máximo de 32 GB mediante la instalación de combinaciones de módulos de memoria de 256 MB, 512 MB, 1 GB, 2 GB o 4 GB en los ocho zócalos de módulo de memoria de la placa base.

El sistema también dispone de memoria redundante, que puede utilizarse como sustitución de memoria o duplicación de memoria. Ambas características están disponibles si se instalan ocho módulos de memoria idénticos.

- Soporte para dos unidades internas de disco duro de 3,5 pulgadas y acoplamiento activo, de tipo SAS (SCSI conectado en serie) (10 000 o 15 000 rpm) o SATA (7 200 rpm), o soporte para un máximo de cuatro unidades internas de disco duro de 2,5 pulgadas y acoplamiento activo, de tipo SAS (10 000 rpm).
- Una unidad IDE reducida opcional de CD-ROM, DVD-ROM o DVD-ROM/CD-RW.
- Hasta dos fuentes de alimentación de 670 W de acoplamiento activo en una configuración redundante 1 + 1 (opcional).
- Cuatro módulos de ventilador, formados por dos ventiladores de dos rotores cada uno, para un total de ocho ventiladores de refrigeración.

La placa base incluye lo siguiente:

- Una de las siguientes opciones de tarjeta vertical:
 - Dos tarjetas verticales (izquierda y central), cada una de ellas con una ranura de expansión PCI-Express x8.

O bien:

- Dos tarjetas verticales (izquierda y central), cada una de ellas con una ranura de expansión PCI-X de 3,3 V y 64 bits a 133 MHz. Las ranuras de expansión se encuentran en dos buses independientes.

- Una ranura PCI dedicada para un adaptador de bus de host SAS integrado o una tarjeta controladora RAID integrada opcional con 256 MB de memoria caché y una batería RAID.



NOTA: no es posible iniciar el sistema desde un dispositivo externo conectado a un adaptador SAS o SCSI, incluidos SAS 5/E, PERC 5/E o PERC 4e/DC. Para obtener información sobre cómo iniciar el sistema desde dispositivos externos, visite support.dell.com.

- Dos NIC Ethernet Gigabit integradas, que admiten velocidades de datos de 10 Mbps, 100 Mbps y 1 000 Mbps.
- Cuatro conectores compatibles con USB 2.0 (dos en la parte frontal y dos en la parte posterior) que admiten soporte externo de una unidad de disquete, una unidad de CD-ROM, un teclado, un ratón o una unidad flash USB.
- Controladora de acceso remoto (RAC) opcional para la administración remota de sistemas.
- Un subsistema de vídeo integrado compatible con VGA con una controladora de vídeo PCI ATI ES1000 a 33 MHz. Este subsistema de vídeo contiene un mínimo de 16 MB de memoria gráfica que admite gráficos en 2D. La resolución máxima es de 1 600 x 1 200 con 65 536 colores; se admiten gráficos de color verdadero en las resoluciones siguientes: 640 x 480, 800 x 600, 1 024 x 768, 1 280 x 1 024. Cuando la tarjeta de acceso remoto opcional está instalada, la resolución máxima de vídeo es de 1 280 x 1 024.
- Circuitos de administración de sistemas que supervisan el funcionamiento de los ventiladores del sistema, así como los voltajes y temperaturas críticos del sistema. Los circuitos de administración de sistemas funcionan junto con el software de administración de sistemas.
- En el panel posterior se incluyen los conectores serie, de vídeo, dos conectores USB y dos conectores de NIC.
- En el panel frontal se incluye un conector para vídeo y dos para USB.
- LCD de panel frontal 1x5 para la ID y los mensajes de error del sistema.


Para obtener más información acerca de características específicas, consulte “Especificaciones técnicas” en la página 46.

Sistemas operativos admitidos


El sistema admite los siguientes sistemas operativos:

- Microsoft® Windows Server™ 2003 Standard Edition, Enterprise Edition y Web Edition
- Microsoft Windows Server 2003 Standard Edition y Enterprise x64 Edition
- Red Hat® Enterprise Linux AS, ES y WS (versiones 3 y 4) para Intel x86
- Red Hat Enterprise Linux AS, ES, WS (versión 4) para Intel Extended Memory 64 Technology (Intel EM64T)
- SUSE® Linux Enterprise Server 9 para Intel EM64T
- Novell® NetWare® 6.5 (cuando esté disponible) (no disponible instalado en fábrica)

Otra información necesaria

 **PRECAUCIÓN:** en la *Guía de información del producto* se proporciona información importante sobre seguridad y normativas. La información de la garantía puede estar incluida en este documento o constar en un documento aparte.

- En los documentos *Guía de instalación del rack* o *Instrucciones de instalación del rack* incluidos con el rack se describe cómo instalar el sistema en un rack.
- En el *Manual del propietario del hardware* se proporciona información sobre las características del sistema y se describe cómo solucionar problemas del sistema e instalar o reemplazar componentes del sistema. Este documento puede encontrarse en los CD incluidos con el sistema o en support.dell.com.
- Los CD que se facilitan con el sistema proporcionan documentación y herramientas para configurar y administrar el sistema.
- Algunas veces, con el sistema se incluyen actualizaciones que describen los cambios realizados en la documentación, en el software o en el sistema.

 **NOTA:** compruebe si hay actualizaciones en support.dell.com y, si las hay, léalas antes de proceder a la instalación, puesto que a menudo sustituyen la información contenida en otros documentos.


- Es posible que se incluyan notas de la versión o archivos Léame para proporcionar actualizaciones de última hora relativas al sistema o a la documentación, o material de consulta técnica avanzada destinado a técnicos o usuarios experimentados.

Obtención de asistencia técnica

Si no comprende un procedimiento de esta guía o si el sistema no funciona del modo esperado, consulte el *Manual del propietario del hardware*.

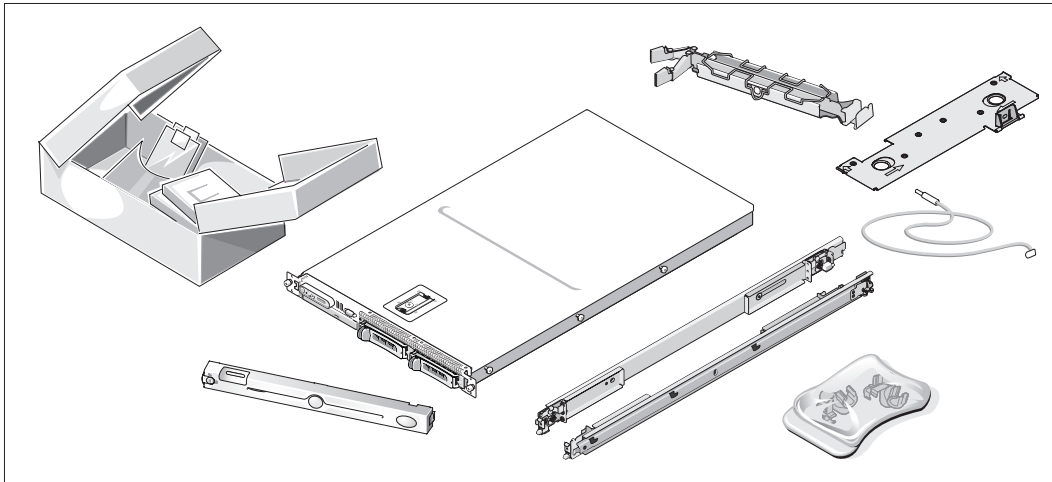
Tiene a su disposición el servicio de formación y certificación Dell™ para empresas. Para obtener más información, visite www.dell.com/training. Es posible que este servicio no se ofrezca en todas las regiones.

Instalación y configuración

 **PRECAUCIÓN:** antes de realizar el procedimiento siguiente, lea y siga las instrucciones de seguridad y la información importante sobre normativas incluidas en la *Guía de información del producto*.

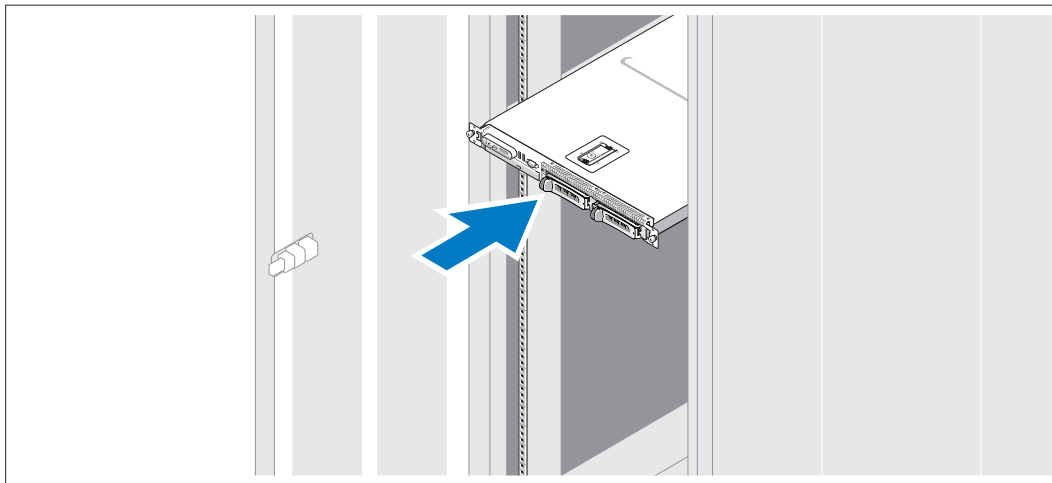
En esta sección se describen los pasos para configurar el sistema por primera vez.

Desembalaje del sistema



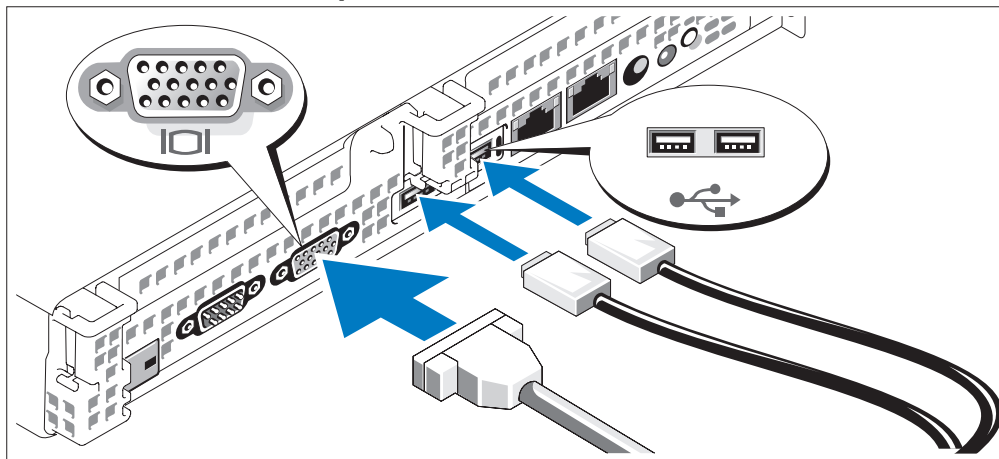
- 1 Desembale el sistema e identifique cada elemento.
Guarde el material de embalaje por si lo necesitara más adelante.

Instalación del riel y del sistema en un rack



- 2 Instale el sistema en el rack una vez que haya leído las “Instrucciones de seguridad” de la documentación del sistema relativa a la instalación del rack.
Consulte la documentación de instalación del rack para obtener instrucciones sobre la instalación del sistema en un rack.

Conexión del teclado, el ratón y el monitor

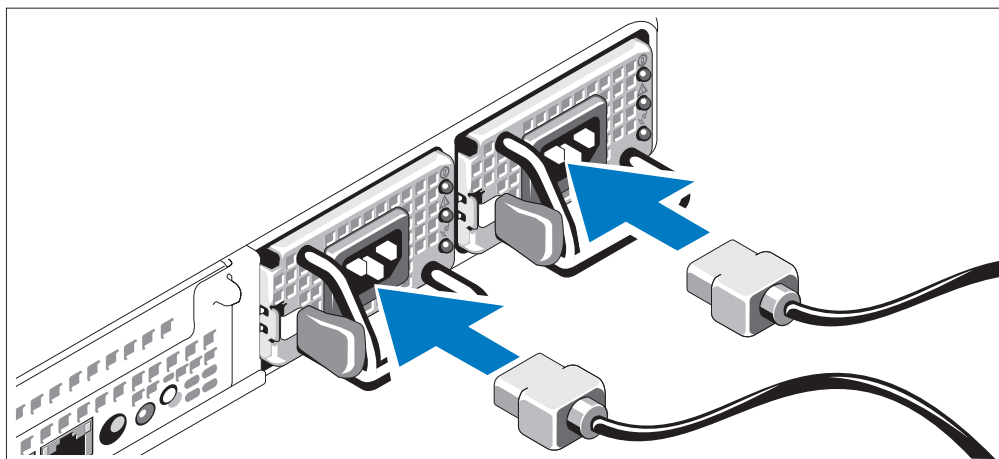


- 3 Conecte el teclado, el ratón y el monitor (opcional).

Los conectores de la parte posterior del sistema tienen iconos que indican qué cable enchufar a cada conector. Asegúrese de apretar los tornillos (si los hubiera) del conector del cable del monitor.

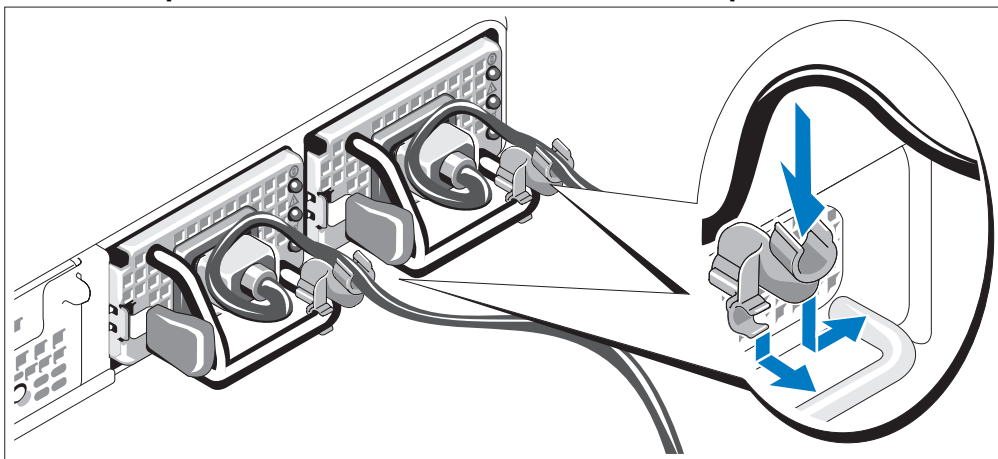
NOTA: si conecta simultáneamente dos monitores al sistema, mediante la conexión frontal y la posterior, el vídeo utilizará de manera predeterminada la conexión frontal, debido a que sólo puede funcionar una pantalla a la vez.

Conexión de la alimentación



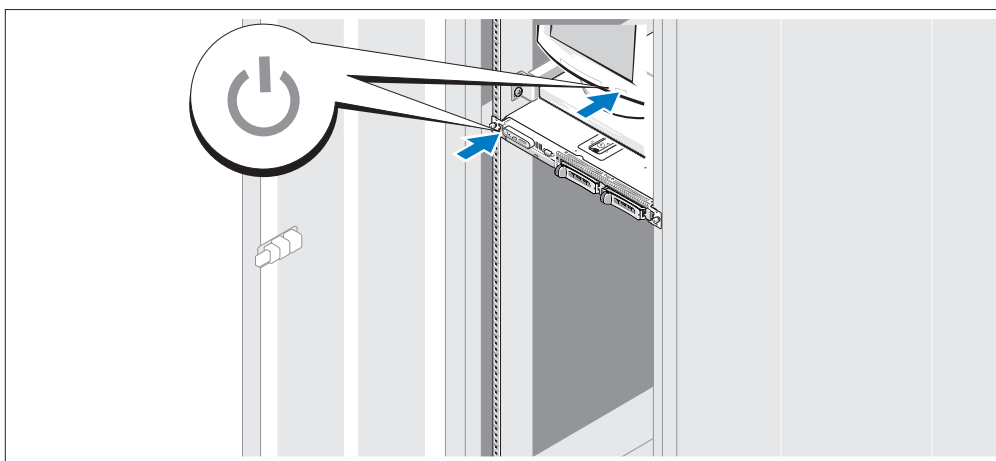
- 4 Conecte los cables de alimentación al sistema.
- 5 Conecte el extremo opuesto del cable a una toma eléctrica con conexión a tierra o a otra fuente de alimentación, como un sistema de alimentación ininterrumpida (SAI) o una unidad de distribución de alimentación (PDU).

Instalación del soporte de retención del cable de alimentación (opcional)



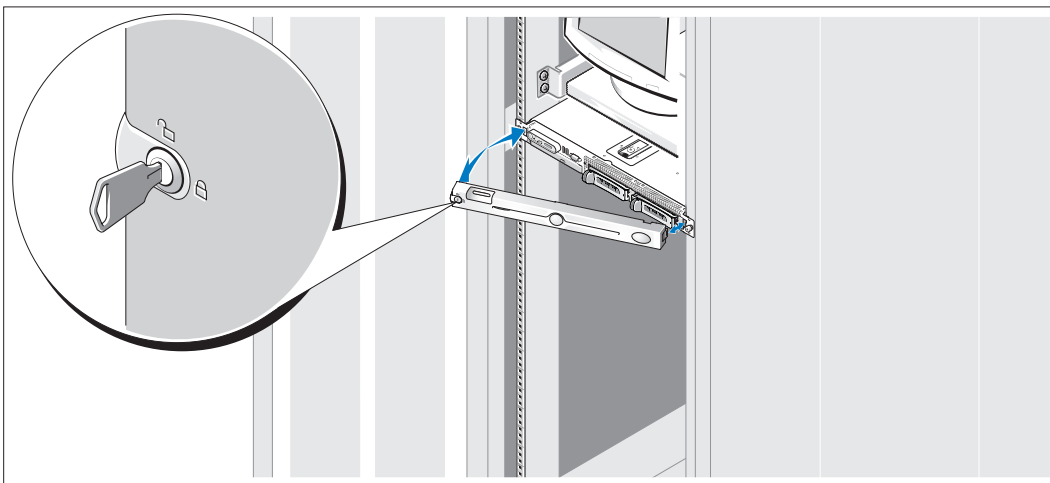
- 6 Fije el soporte de retención del cable de alimentación en el lado derecho del asa de la fuente de alimentación. Doble el cable de alimentación del sistema en forma de bucle, tal como se muestra en la ilustración, y fíjelo a la abrazadera correspondiente del soporte. Repita el procedimiento para la segunda fuente de alimentación.
- 7 Enchufe el otro extremo del cable de alimentación a una toma eléctrica con conexión a tierra o a una fuente de alimentación independiente, como un sistema de alimentación ininterrumpida (SAI) o una unidad de distribución de alimentación (PDU).

Encendido del sistema



- 8 Encienda el sistema y el monitor (opcional).
Presione el botón de encendido del sistema y del monitor. Deberán encenderse los indicadores de alimentación. Ajuste los controles del monitor hasta que la imagen mostrada sea satisfactoria.

Instalación del embellecedor



- 9 Instale el embellecedor (opcional).

Configuración del sistema operativo

Si ha adquirido un sistema operativo preinstalado, consulte la documentación del sistema operativo que se suministra con el sistema. Para instalar un sistema operativo por primera vez, consulte la *Guía de instalación rápida*. Asegúrese de que el sistema operativo está instalado antes de instalar hardware o software no adquirido con el sistema.

Especificaciones técnicas

| Procesador | |
|--------------------|-----------------------------------------------------------------|
| Tipo de procesador | Uno o dos procesadores Intel Xeon de doble núcleo 5000 Sequence |

| Bus de expansión | |
|------------------------------------------------------------|-----------------------------------------------------------------------------|
| Tipo de bus | PCI-X, PCIe |
| Ranuras de expansión mediante una tarjeta vertical: | |
| Tarjetas verticales PCI-X central e izquierda | Dos ranuras de 3,3 V, 64 bits a 133 MHz de altura completa y longitud media |
| O bien: | O bien: |
| Tarjetas verticales PCIe central e izquierda | Dos x8 |

| Memoria | |
|----------------------------------|------------------------------------------------------------------------------------------------------------------------------------------------------------------|
| Arquitectura | DIMM PC2-4200 con búfer completo a 533 MHz con protección ECC, con funcionamiento lockstep dual (DIMM PC2-5300 con búfer completo a 667 MHz, si está disponible) |
| Zócalos de módulo de memoria | Ocho de 240 patas |
| Capacidades de módulo de memoria | 256 MB, 512 MB, 1 GB, 2 GB, 4 GB |
| RAM mínima | 512 MB (dos módulos de 256 MB) |
| RAM máxima | 32 GB |

| Unidades | |
|-----------------------------------|-------------------------------------------------------------------------------------------------------------------------------------------------|
| Unidades de disco duro SAS o SATA | Hasta dos unidades internas de 3,5 pulgadas y acoplamiento activo (opcional) con soporte de plano posterior |
| O bien: | O bien: |
| Unidades de disco duro SAS | Hasta cuatro unidades internas de 2,5 pulgadas y acoplamiento activo (opcional) con soporte de plano posterior |
| Unidad óptica | Una unidad IDE reducida opcional de CD-ROM, de DVD-ROM/CD-RW combinada o de DVD-ROM. NOTA: los dispositivos de DVD son sólo de datos. |

Conectores

Parte posterior

| | |
|-------|------------------------------------------------|
| NIC | Dos RJ-45 (para NIC de 1 GB integradas) |
| Serie | 9 patas, DTE, compatible con el estándar 16550 |
| USB | Dos de 4 patas compatibles con USB 2.0 |
| Vídeo | VGA de 15 patas |

Parte frontal

| | |
|-------|----------------------------------------|
| Vídeo | VGA de 15 patas |
| USB | Dos de 4 patas compatibles con USB 2.0 |

Vídeo

| | |
|------------------|------------------------------------------------|
| Tipo de vídeo | Controladora de vídeo ATI ES1000; conector VGA |
| Memoria de vídeo | 16 MB de SDRAM DDR |

Alimentación

Suministro de energía de CA (por fuente de alimentación)

| | |
|--------------------------------|---------------------------------------------------------------------------------------------------------------------------------------------------------------------------------------------------|
| Potencia | 670 W |
| Voltaje | De 90 a 264 V CA, autoajustable, de 47 a 63 Hz, 10,0 A (a 90 V CA) |
| Disipación de calor | 2 697 BTU/h (789,7 W) como máximo |
| Máxima corriente a la conexión | En condiciones normales de línea y en todo el ambiente del rango operativo del sistema, la corriente a la conexión puede alcanzar los 55 A por cada fuente de alimentación durante 10 ms o menos. |

Baterías

| | |
|-------------------------|----------------------------------------------------|
| Batería del sistema | Batería de tipo botón de ion-litio de 3,0 V CR2032 |
| Batería RAID (opcional) | Batería de ion-litio de 4,1 V |

Características físicas

| | |
|-----------------------------|----------|
| Altura | 4,29 cm |
| Anchura | 48,26 cm |
| Profundidad | 76,2 cm |
| Peso (configuración máxima) | 17,69 kg |

Condiciones ambientales

NOTA: para obtener información adicional sobre medidas ambientales relativas a configuraciones de sistema específicas, visite la página Web www.dell.com/environmental_datasheets.

Temperatura

| | |
|-------------------|-------------------|
| En funcionamiento | De 10 °C a 35 °C |
| En almacenamiento | De -40 °C a 65 °C |

Humedad relativa

| | |
|-------------------|----------------------------------------------------------------------------------------|
| En funcionamiento | Del 8 al 85 % (sin condensación) con una gradación de humedad máxima del 10 % por hora |
| En almacenamiento | Del 5 al 95 % (sin condensación) |

Vibración máxima

| | |
|-------------------|--------------------------------------|
| En funcionamiento | 0,25 G a 3–200 Hz durante 15 minutos |
| En almacenamiento | 0,5 G a 3–200 Hz durante 15 minutos |

Impacto máximo

| | |
|-------------------|------------------------------------------------------------------------------------------------------------------------------------------------------------------------|
| En funcionamiento | Un choque positivo en el eje z (un choque en cada lado del sistema) de 41 G durante un máximo de 2 ms |
| En almacenamiento | Seis choques ejecutados consecutivamente en el sentido positivo y negativo de los ejes x, y y z (un choque en cada lado del sistema) de 71 G durante un máximo de 2 ms |

Altitud

| | |
|-------------------|-------------------|
| En funcionamiento | De -16 a 3 048 m |
| En almacenamiento | De -16 a 10 600 m |
