

Dell PowerConnect W-6000 controller Installation Guide



Copyright

© 2011 Aruba Networks, Inc. AirWave®, Aruba Networks®, Aruba Mobility Management System®, and other registered marks are trademarks of Aruba Networks, Inc. Dell™, the DELL™ logo, and PowerConnect™ are trademarks of Dell Inc.

All rights reserved. Specifications in this manual are subject to change without notice.

Originated in the USA. Any other trademarks appearing in this manual are the property of their respective companies.

Open Source Code

Certain Aruba products include Open Source software code developed by third parties, including software code subject to the GNU General Public License (GPL), GNU Lesser General Public License (LGPL), or other Open Source Licenses. The Open Source code used can be found at this site:

http://www.arubanetworks.com/open_source

Legal Notice

The use of Aruba Networks, Inc. switching platforms and software, by all individuals or corporations, to terminate other vendors' VPN client devices constitutes complete acceptance of liability by that individual or corporation for this action and indemnifies, in full, Aruba Networks, Inc. from any and all legal actions that might be taken against it with respect to infringement of copyright on behalf of those vendors.

Preface	5
Overview of this Manual	5
Related Documents	5
Text Conventions	5
Contacting Support	6
Chapter 1 System Overview	7
Features	7
Physical Description	7
Chapter 2 Installing the Chassis	9
Pre-Installation Checklist.....	9
Precautions	10
Requirements	10
Minimum Configuration.....	10
Rack Mounting Kit.....	11
Selecting a Location	11
Rack Mounting the Chassis	12
Adding W-6000M3 Controller Modules.....	13
Connecting Power.....	14
Chapter 3 Verifying the Installation	15
Chapter 4 The Fan Tray	17
Features	17
Built-in Redundancy.....	17
Hot Swap.....	17
Physical Description	17
Replacing a Fan Tray	19
Prepare the New Fan Tray.....	19
Remove the Old Fan Tray	19
Insert the New Fan Tray.....	19
Chapter 5 Dell PowerConnect W-6000M3	21
Chapter 6 The W-6000 Power Supply Module	23
Features	23
Rating.....	23
Load Sharing	23
Redundancy.....	23
Hot Swap.....	23
Physical Description	24
Power Management	25
W-6000M3 Module and PSU Configuration Table	25
Inserting a Power Supply.....	25

	Removing a Power Supply	27
Chapter 7	Specifications	29
	Physical.....	29
	Environmental	29
	Operational	29
	Compliance.....	29
	Electromagnetic Interference	30
	United States.....	30
	Canada	30
	Japan.....	30
	Europe	30
	Safety.....	30
	Lithium Battery Notice.....	30
	Laser Notice.....	31

The preface includes the following information:

- An overview of the sections in this manual
- A list of related documentation for further reading
- A key to the various text conventions used throughout this manual
- Dell support and service information

Overview of this Manual

This manual is for trained technicians responsible for installing the Dell PowerConnect W-6000 controller. The manual is organized as follows:

- The Dell PowerConnect W-6000 Controller Chassis
Chapters 1, 2, and 3 describe the W-6000 controller, and provide instructions for mounting the chassis, attaching power, and performing initial power-on tests.
- The Dell PowerConnect W-6000M3 Controller Modules
Chapters 4, 5, and 6 focus on a specific module and include instructions for installing or replacing the individual item.
- Appendix

Related Documents

The following items are part of the complete documentation for the Dell system:

- *Dell PowerConnect W-6000 Controller Installation Guide* (this manual)
- *Dell PowerConnect ArubaOS User Guide*
- *Dell PowerConnect W-AP Installation Guide*

Text Conventions

The following conventions are used throughout this manual to emphasize important concepts:

Table 1 *Text Conventions*

<i>Italics</i>	This style is used to emphasize important terms and to mark the titles of books.
System items	This fixed-width font depicts the following: <ul style="list-style-type: none">• Sample screen output• System prompts• Filenames, software devices, and certain commands when mentioned in the text
Commands	In the command examples, this bold font depicts text that the user must type exactly as shown.

Table 1 *Text Conventions*

<Arguments>	<p>In the command examples, italicized text within angle brackets represents items that the user should replace with information appropriate to their specific situation. For example:</p> <p style="text-align: center;"># send <i><text message></i></p> <p>In this example, the user would type “send” at the system prompt exactly as shown, followed by the text message they want to send. Do not type the angle brackets.</p>
[Optional]	<p>In the command examples, items enclosed in brackets are optional. Do not type the brackets.</p>
{ Item A Item B }	<p>In the command examples, items within curled braces and separated by a vertical bar represent the available choices. Enter only one choice. Do not type the braces or bars.</p>

Contacting Support

Table 2 *Dell Contact Information*

Website	
Main Website	dell.com
Support Website	support.dell.com
Documentation Website	support.dell.com/manuals

The Dell PowerConnect W-6000 controller is an enterprise-class, modular chassis which connects, controls, and intelligently integrates wireless Access Points (APs) and Air Monitors (AMs) into the wired LAN.

This chapter introduces you to the W-6000 controller. It describes the general features of the modular system and illustrates key physical elements. Once familiar with the system, you can begin the installation process covered in the next chapter.

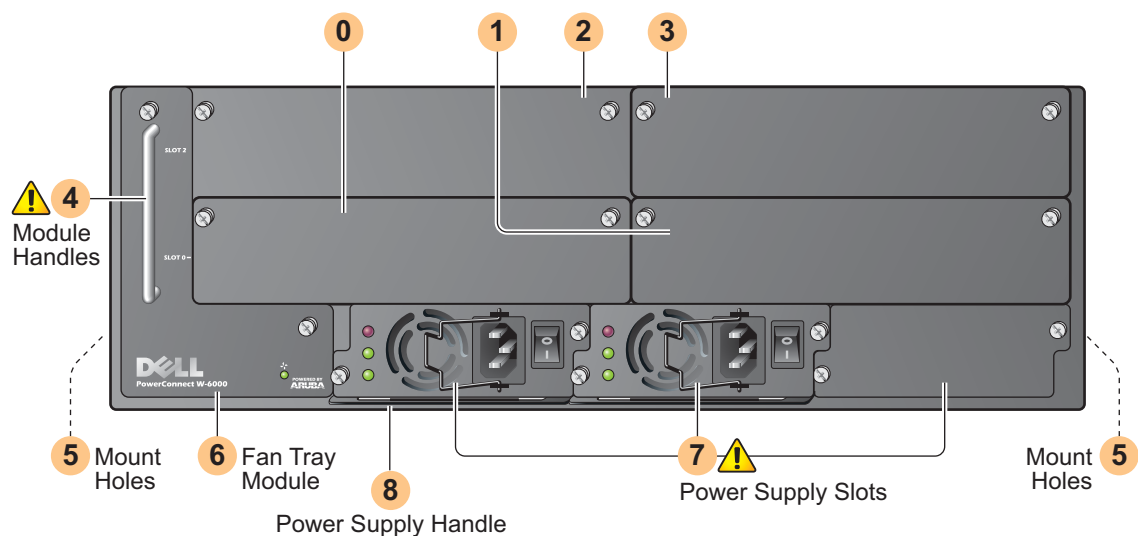
Features

This section outlines the general features of the W-6000 controller.

- 10/100/1000 Mbps and 10 Gbps Ethernet switch with high-speed Layer-2/Layer-3 packet forwarding.
- High-performance packet processing provides value-added wireless services such as load balancing, rate limiting, self-healing, calibration, authentication, mobility, security, and centralized monitoring and configuration.
- 3U chassis can be mounted in a standard 19-inch telecom or server rack.
- Modular, slot-based chassis allows for network expansion and fault-tolerance.
 - Up to 4 Dell PowerConnect W-6000M3 modules
 - Up to 3 hot-swappable power supplies with load sharing capability for redundancy
 - A fan tray containing three individual fans for redundancy

Physical Description

Figure 1 Dell PowerConnect W-6000 controller



- 0 Slot 0: This slot is for the required Dell PowerConnect W-6000M3 Controller Module.
- 1 Slot 1: This slot for an additional W-6000M3 module.
- 2 Slot 2: This slot for an additional W-6000M3 module.

- 3 Slot 3: This slot for an additional W-6000M3 module.
- 4 Module Handles: All module handles are used only for removing and inserting the individual modules.



CAUTION: Never use the module handles to lift or move the W-6000 controller chassis. Using the handles to support the chassis can result in serious damage to both the module and the chassis.

- 5 Holes for attaching rack mounting brackets (on side)
- 6 Fan Tray Module: The W-6000 controller is cooled by the air pulled through the chassis by the fan tray. The fan tray pulls air from right to left (as viewed from the front of the chassis) across the installed modules.

During operation, the air vents on the left and right sides of the chassis must remain unobstructed by cables or mounting equipment. For proper air circulation, leave at least 10 cm (4 inches) of clearance on the left and right of the chassis.

- 7 Power Supply Slots: The chassis has slots for up to three power supplies. The number of power supplies required for your system depends on the number of W-6000M3 Controller Modules installed, and whether you wish to include redundant power supplies. See [“Power Management” on page 25](#) for more information.

Each power supply has its own power cord and power switch.



CAUTION: Never insert or remove a power supply while its power switch is in the On position or while the power cord is plugged in. First verify the power switch is Off and the cord is unplugged.



CAUTION: Be sure to exercise proper Electrostatic Discharge (ESD) precautions when handling the Dell W-6000 controller and its components.

- 8 Power Supply Handle: Use this handle for removing or inserting a power supply.



CAUTION: Installation should be performed by a trained technician.

This chapter covers the following installation topics:

- Precautions to observe during installation
- Requirements for W-6000 controller components and rack mounting gear
- Selecting a proper environment for the W-6000 controller
- Mounting the W-6000 controller in a rack
- Connecting power to the W-6000 controller

Pre-Installation Checklist

You will need the following during installation:

- Dell PowerConnect W-6000 Controller
- Dell PowerConnect W-6000 Controller rack mounting hardware (included)
- Phillips or cross-head screwdriver
- 19-inch equipment rack, or equivalent
- 3U rack space with 10 cm (4 inches) clearance to the left, right, front, and rear of the rack
- Another person to help position the W-6000 controller.
- One power cord for each power supply, rated to at least 10 A with IEC320 connector
- Adequate power supplies and electrical power (see [“Power Management” on page 25](#))
- Cool, non-condensing air 0 to 40 °C (32 to 104 °F): may require air conditioning
- Console terminal with RJ-45 or DB-9 serial port
- RS-232 serial cable with RJ-45 male connectors
- A serial adapter (included) if connecting to the console with DB-9

Precautions

CAUTION: Dangerous voltage in excess of 240VAC is always present while the Power Supply Module is plugged into an electrical outlet. Remove all rings, jewelry, and other potentially conductive material before working with this product.

Never insert foreign objects into the chassis, the power supply, or any other component, even when the power supplies have been turned off, unplugged, or removed.

Main power is fully disconnected from the W-6000 controller by unplugging all installed power supplies' power cords from their outlets. For safety, verify the power outlets and plugs are in easy reach of the operator.

Do not handle electrical cables which are not insulated. This includes any network cables.

To minimize electrical hazard, keep water and other fluids away from the product.

Comply with electrical grounding standards during all phases of installation and operation of the product. Do not allow the W-6000 controller chassis, network ports, power supplies, or mounting brackets to contact any device, cable, object, or person attached to a different electrical ground. Also, never connect the device to external storm grounding sources.

Installation or removal of the chassis or any module must be performed in a static-free environment. The proper use of anti-static body straps and mats is strongly recommended.

Modules must be kept in anti-static packaging when not installed in the chassis.

Do not ship/store this product near strong electro-magnetic, electrostatic, magnetic or radioactive fields.

Do not disassemble the chassis or any module. They have no internal user-serviceable parts. When service or repair is needed, see ["Contacting Support" on page 6](#).

Requirements

Minimum Configuration

A Dell PowerConnect W-6000 Controller must include the following basic components:

- One W-6000 controller chassis
- One fan tray
- One W-6000M3 Controller Module in Slot 0 (purchased separately)
- At least two 400W power supplies

NOTE: The number of power supplies required depends on the number of W-6000M3 Controller Modules installed in the chassis (see ["Power Management" on page 25](#)).

The W-6000 controller is shipped with all required power supply and fan tray modules installed. Install the chassis as described in this chapter, and then see the subsequent chapters in this manual for instructions on installing each additional module.

Rack Mounting Kit

Using the included rack mounting kit, the W-6000 controller can be mounted in a standard 19-inch Telecom network equipment rack. The rack mounting kit contains the following parts:

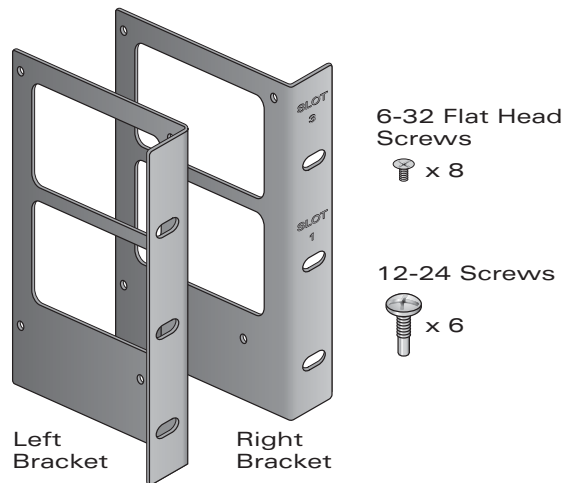
- 6-32 x 1/4" Phillips Head Screws (6x, included)

- 12-24 x 5/8" Phillips Head Screws (4x, included)

Additionally, the W-6000 controller can be installed in a 19-inch server rack. Installation in a server rack requires the following included items:

- 6-32 x 1/4" Phillips Head Screws (6x, included)
- M6 x 20mm Phillips Head Screws (4x, included)
- M6 Cage Nuts (4x, included) or M6 Cage Clips (4x, included)

Figure 2 Rack Mounting Hardware (Telecom Kit Shown)



NOTE: The six 12-24 screws are intended for securing the chassis to the rack. Some racks require different screws which are not included. Verify that you have the correct screws or fasteners for your rack system before attempting to mount the chassis.

Selecting a Location

The W-6000 controller, like other network and computing devices, requires an “electronics friendly” environment.

- Reliable power

Verify that your electrical outlet is compatible with the W-6000 controller (HW-PSU-400) power supply, which is rated at 400 W total and is auto-ranging to accept 85 to 264 VAC, at 50 to 60 Hz.

The power cords must be rated to 10 A and conform to grounded electrical standards in the country where the product is operated.

Use of a power line conditioner or Uninterruptable Power Supply (UPS) can decrease or mitigate problems caused by power service fluctuations. Verify that the output of any power shaping device is compatible with the W-6000 controller power supplies based on the information provided above.

- Cool, non-condensing ventilation

For proper operation, the W-6000 controller requires an environment with an ambient air temperature between 0 and 40 °C (32 to 104 °F). Humidity must be kept at non-condensing levels between 5 and 95%.

Where a large number of electrical devices are working in the same area, additional air conditioning or air circulation equipment may be required.

- Ample space

For proper air circulation, leave at least 10 cm (4 inches) clearance for the vents on the left, right, front, and rear of the chassis.

Leave additional space in front of the chassis to access power cords, network cables, and indicator LEDs.

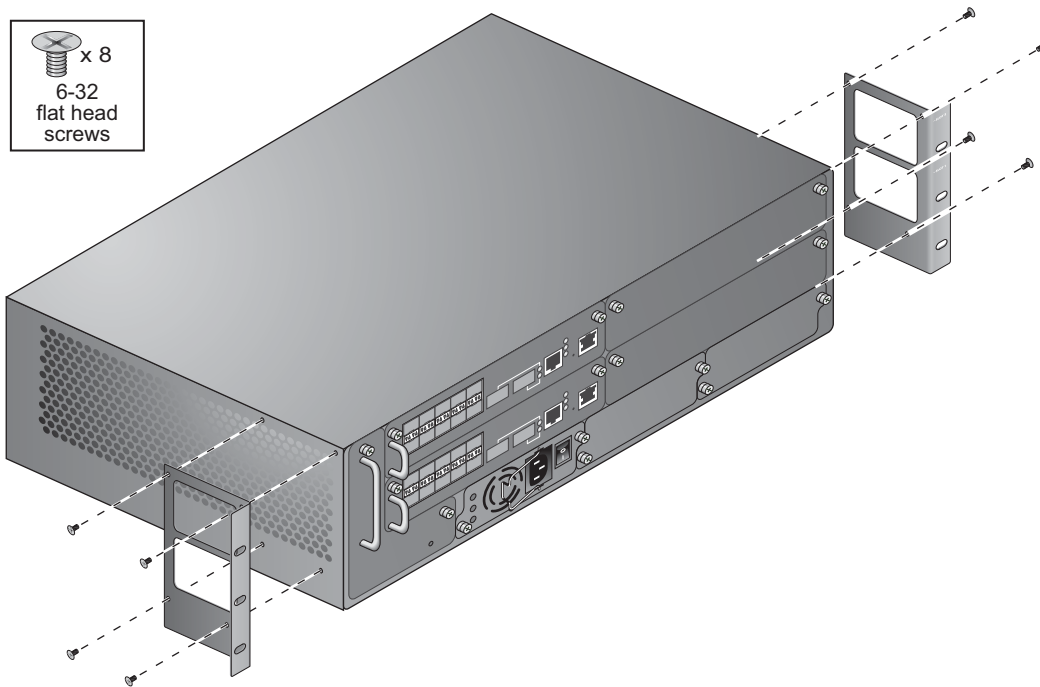
- Limited electromagnetic interference

For best operation, keep the W-6000 controller and all cords and cables at least 0.7 meters (2 feet) from fluorescent lighting fixtures, and 2 meters (6 feet) from photocopiers, radio transmitters, electric generators, and other sources of strong electromagnetic interference.

Rack Mounting the Chassis

1. Verify that your rack environment meets requirements (see “[Selecting a Location](#)” on page 11).
2. Attach the rack mounting brackets to the chassis as shown in [Figure 3](#) on page 12.

Figure 3 Attaching the Rack Mounting Brackets



The bracket marked with slot numbers 1 and 3 is for the right-hand side of the W-6000 controller chassis. Orient both brackets so that the narrow flange faces the front. When placed properly, the brackets' large rectangular voids will be positioned over the side vents to allow proper air flow during operation.

Use a Phillips or cross-head screwdriver to attach each bracket securely with four 6-32 flat head screws (included).

3. Attach the W-6000 controller to the rack.



CAUTION: To avoid personal injury or damage to equipment, get help for lifting and positioning the W-6000 controller. Also, do not install the W-6000 controller in any fashion where instability or uneven mechanical loading may occur.



NOTE: For proper operation, the W-6000 controller requires an ambient air temperature between 0 and 40 °C (32 to 104 °F). Verify your rack environment is in compliance.

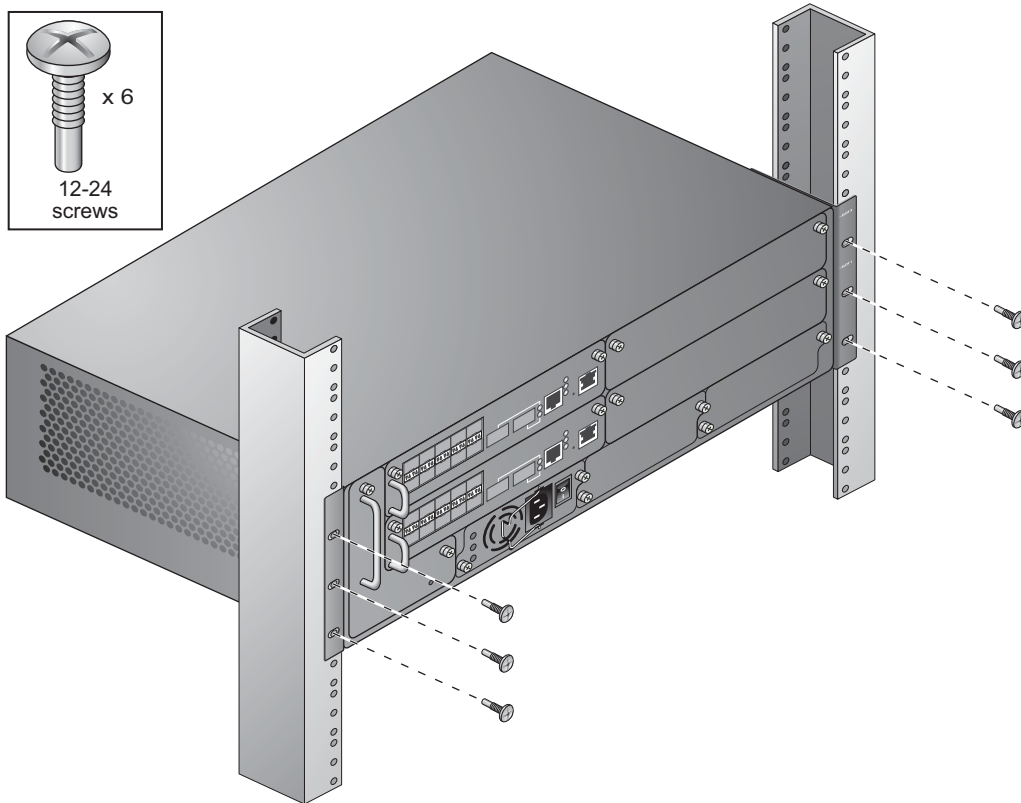
If you are installing this device in a server rack, install the cage nuts/clips first. Install the cage nuts/clips by completing the following steps:

- a. Begin by inserting the lower lip of the cage nut over the square opening in the back of the rail.
- b. Insert the small end of the cage-nut installation tool through the opening in the rail (from the front), and hook the tool over the top lip of the cage nut.

- c. Push the cage nut in towards the rail while rotating the tool up and pulling the tool back toward you until the top lip of the cage nut snaps into position.
- d. Continue installing the W-6000 controller as normal.

Position the chassis in the equipment rack and align the brackets' mounting holes with the corresponding holes in your rack frame.

Figure 4 Mounting the W-6000 controller



Use a Phillips or cross-head screwdriver to secure the chassis to the rack with three 12-24 screws (for telecom rack) or three M6 x 20mm (for server rack) for each mounting bracket.



NOTE: Some cabinets require different screws which are not included. Verify that you use the correct screws or fasteners for your rack system.

Adding W-6000M3 Controller Modules

If you have received your modules separately from the chassis, or wish to expand the system with additional modules, see the subsequent chapters of this manual for specific instructions on installing each module.



NOTE: By adding modules, you are increasing the total power load. Depending on the modules installed, you may be required to add power supplies to the chassis and/or increase the capacity of your site's electrical systems. For details, see ["Power Management"](#) on page 25.

Connecting Power



CAUTION: This procedure should be performed by a trained technician.

1. Verify you understand the procedure and all precautions.
Before beginning, read the entire procedure. Verify you understand all the precautions in these steps as well as those on page 10.
2. Verify that the installed power supplies can handle the power load.
The number of power supplies required for your W-6000 controller depends on the number of W-6000M3 Controller Modules installed. See [“Power Management” on page 25](#) for details.
3. Verify that your site’s electrical systems can handle the W-6000 controller’s power load.
 - Each W-6000 controller power supply (HW-PSU-400) is rated at 400 W total and is auto-ranging to accept 85 to 264 VAC, at 50 to 60 Hz.Depending on the total power load, you may be required to increase the capacity of your site’s electrical systems. See [“Power Management” on page 25](#) for details.



NOTE: Use of a power line conditioner or Uninterruptable Power Supply (UPS) can decrease or mitigate problems caused by power service fluctuations. Verify that the output of any power shaping device is compatible with the W-6000 controller power supplies based on the information provided above.

4. Verify the power switch on the power supply is in the Off (●) position.



CAUTION: Never attach a power cord to a power supply while its power switch is in the On (I) position. Verify the power switch is Off (●) first.

5. Attach the power cord to the power supply.
Plug an appropriate power cord into the power input socket. The socket accepts a power cord with a standard IEC320 plug.



CAUTION: For proper safety and performance, the power cord must be rated to 10 A and conform to grounded electrical standards in the country where the product is operated.



NOTE: The 400 W power supply (HW-PSU-400) includes a power cord retaining clip. When the power cord is attached, the clip can be used to hold the cord in place and help prevent it from being pulled out accidentally (see [Figure 8 on page 26](#)).

6. Attach the power cord to a proper electrical outlet.



CAUTION: For safety reasons, verify the power outlets and plugs are within easy reach of the operator and can be quickly disconnected if necessary.

Repeat the above Steps 4, 5, and 6 for each installed power supply.

Once power is connected, you can perform the power-on test (see page 15).

Once the W-6000 controller is physically installed, run the following power-on test:

1. Turn on all installed power supplies in quick succession.

For each power supply, place the power switch in the on (I) position.



NOTE: To avoid overloading the first power supplies to be turned on, all required power supplies should be turned on at roughly the same time (within about three seconds).

2. Check for the proper power indicators.

Immediately upon power up, you should observe the following:

- All power supply AC OK and DC OK LEDs light solid green.
- The fan tray Fan Status LED is solid green and you should be able to feel significant airflow blowing from the chassis vents at each of the three fan positions.

3. Check for the appropriate operation indicators.

Once the system has successfully booted, you should observe the following:

- The power supply AC OK and DC OK LEDs are still solid green.
- The fan tray Fan Status LED is still solid green.



NOTE: For more information on LED behavior, refer to the individual chapters for the specific modules.

4. Once the system has passed the initial power-up test:

- Connect appropriate network cables.

5. You are now ready to perform the initial setup as described in the *Aruba Quick Start Guide* (which is included in the Accessory Kit) for the software loaded on your controller.

The Dell PowerConnect W-6000 controller Fan Tray (HW-FT) provides air circulation for cooling the W-6000M3 modules in the Dell PowerConnect W-6000 controller chassis and is required for their normal operation. Normal operating temperature for the W-6000 controller chassis is between 0 to 40 °C (32 to 104 °F). If this temperature range is exceeded, the W-6000 will provide a warning through the software to alert users of the change. The following table describes these alarms and their thresholds:

Table 3 *Temperature Thresholds*

Alarm Severity	Threshold
Minor	40 °C
Major	50 °C
Critical	60 °C

This chapter describes the general features and physical characteristics of the fan tray, and provides instructions for replacing the module if necessary.

Features

Built-in Redundancy

Three fans are provided in the fan tray. The module is designed to provide for cooling, even if one fan fails. Any two operating fans will provide enough airflow for proper cooling until the fan tray can be replaced.

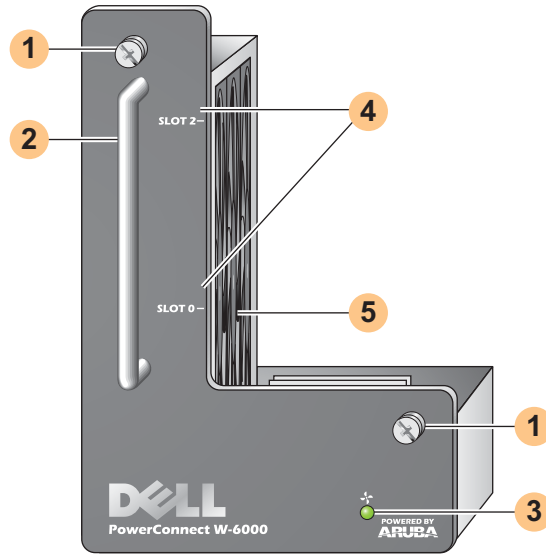
Hot Swap

Hot swapping should be performed by a trained technician. Hot swapping allows you to replace the fan tray without having to shut down the system. During the replacement operation, the chassis will continue to function without fans, though the procedure must be completed within one minute to resume proper cooling.

Physical Description

The fan tray slot is located on the left side of the W-6000 controller chassis and extends from the front of the chassis to the back.

Figure 5 Dell W-6000 controller Series Fan Tray



- 1 Module Fastening Screws: These captive screws are used for securing the module into the chassis fan tray slot.
- 2 Module Handle: This handle is used for removing or inserting the module into the chassis.



CAUTION: Do not use the fan tray handle to lift or move the W-6000 controller. Serious damage could result.

- 3 Fan Status LED: During operation, the Fan Status LED provides the following information:

Table 4 Fan Tray LED Behavior

Status	Description
Off	The fan tray is not operating.
Green	The fan tray is receiving power and all three fans are operating properly.
Amber	One fan has failed, but the remaining two can provide proper cooling until the fan tray can be conveniently replaced.
Red	Two or more fans have failed. Replace the fan tray immediately.



NOTE: In addition to the LEDs, the fan tray status and overall chassis temperature can be viewed using the CLI.

- 4 Slot Labels: When the fan tray is installed in the W-6000 controller, these labels name the module slots to the immediate right of the fan tray (see [Figure 1 on page 7](#)).
- 5 Fans (on side): Three independent fans provide redundancy for cooling the W-6000 controller cards.

Replacing a Fan Tray



CAUTION: Many repairs may only be done by a certified service technician. You should only perform troubleshooting and simple repairs as authorized in your product documentation, or as directed by the online or telephone service and support team. Damage due to servicing that is not authorized by Dell is not covered by your warranty. Read and follow the safety instructions that came with the product.

If hot swapping the fan tray, please be aware that there are time-critical aspects to parts of the procedure. To ensure proper preparation, please read through all the steps in the procedure before attempting the replacement.

Also, make sure you understand all the precautions in these steps as well as those on page 10.

Prepare the New Fan Tray

1. Unpack the new fan tray.
2. Inspect the new fan tray to verify that it is undamaged.
3. Place the new fan tray in a safe, accessible place near the chassis, ready for prompt insertion.
4. Locate a #2 Phillips or cross-head screwdriver.

Remove the Old Fan Tray

1. Loosen the fan tray's fastening screws.

At the front of the W-6000 controller, use the screwdriver to loosen both of the fastening screws on the faceplate of the installed fan tray. The screws loosen with counter-clockwise rotation, but are captive and cannot be fully removed.

2. Disengage the fan tray.

Grasp the module handle firmly and draw the fan tray forward from its slot. There may be moderate resistance as the module comes free from its connections with the chassis backplane, but do not use excessive force.

When the module is fully disengaged from the backplane, power to the working fans is lost and they will gradually stop spinning.

CAUTION: The fans will continue to spin for a short while, even though there is no power to them. Wait for the fans to stop spinning before removing the fan tray.



Also, when hot swapping, once the fans stop spinning, the W-6000 controller will continue to operate, though heat will begin to build in the operational components. From this point, there is a limited time (one minute) before installation of the new fan tray must be completed.

The one minute limit must be adhered to since the W-6000 controller does not have a thermal shutdown function. If you cannot replace the fan tray within one minute, shut down the controller.

3. Once disengaged, the fan tray should easily slide out of the chassis. Fully remove the fan tray and place it safely aside.

Insert the New Fan Tray

1. Pick up the new fan tray by the handle provided on its front panel.
2. Carefully insert the fan tray into the chassis fan tray slot.

Align the rear of the fan tray with the guide rails in the chassis fan tray slot and slide it gently toward the backplane. The module should slide in easily most of the way.

3. Engage the fan tray.

As the fan tray reaches the back of the chassis, moderate resistance may be felt. Press firmly so the connectors at the back of the module engage with the backplane, but do not use excessive force.

When hot swapping the fan tray and when the connectors are properly engaged, power to the fans should be restored and they should start spinning.

4. Check the fans to verify all of them are working.

Once power has been restored to the fan tray, either by engaging the module to the backplane during hot-swap or by turning on system power after a cold-swap, the Fan Status LED should be green and you should be able to feel significant airflow blowing from the chassis vents at each fan position.

If the fans are all working, this ends the time critical portion of the hot-swap procedure.

If *one* of the fans in a newly hot-swapped fan tray does not work (yellow Fan Status LED), allow at least three minutes for the remaining fans to cool the chassis before attempting another hot-swap replacement.



CAUTION: If two or more fans in the newly hot-swapped fan tray do not work (the Fan Status LED is red), shut down the W-6000 controller, replace the fan tray, and allow the W-6000 controller at least five minutes to cool before turning it back on.

5. Secure the fan tray.

Use the screwdriver to push in and tighten both of the fastening screws on the faceplate of the newly installed fan tray. Rotate the screws clockwise until moderate resistance is felt, but do not over-tighten.

The Dell PowerConnect W-6000M3 is a hot-swappable controller module for use within a W-6000 controller chassis system. The W-6000 controller chassis is capable of containing up to four modules, each of which can be configured as a master or local. For complete details regarding the W-6000M3, including installation instructions and compatibility and configuration options, refer to the *Dell PowerConnect W-6000M3 Installation Guide*. For power management details, refer to [“Power Management” on page 25](#).

Each W-6000M3 controller module is capable of supporting up to 512 campus connected APs with the use of Dell AP upgrade licenses. Contact your Dell sales representative for a complete listing of available software licenses.

For information on the installation and operation of the Dell PowerConnect W-6000M3 controller module, see the *Dell PowerConnect W-6000M3 Controller Module Installation Guide* that is included with each module.

The Dell PowerConnect W-6000 controller Power Supply adapts electrical power for use with the W-6000 controller. The W-6000 chassis has three slots that can hold individual power supplies to support load sharing and fault tolerance.

This chapter describes the general features and physical characteristics of the power supply and important power consumption management information. The final sections of the chapter cover the steps required to insert and remove power supplies.

Features

Rating

The Dell W-6000 Power Supply (HW-PSU-400) is rated at 400 W total output and is auto-ranging to accept 85 to 264 VAC, at 50 to 60 Hz. Up to three 400 W power supplies can be installed in the W-6000 controller.

Load Sharing

Load sharing occurs when more than one power supply of the same rating are installed in the W-6000 controller and turned on. Load sharing divides the total power load of the W-6000 among all plugged in power supply modules. Since the power supplies work together, the effective power capacity of the chassis is increased by with each additional power supply.

Redundancy

When multiple power supplies are installed, if one becomes unavailable (fails, or is turned off or removed) the remaining power supplies will attempt to provide full power for the W-6000 controller. If the total power load does not exceed the combined rated output of the remaining, operational power supplies, the W-6000 will continue to operate. For more information on power supply configurations, [“Power Management” on page 25](#).

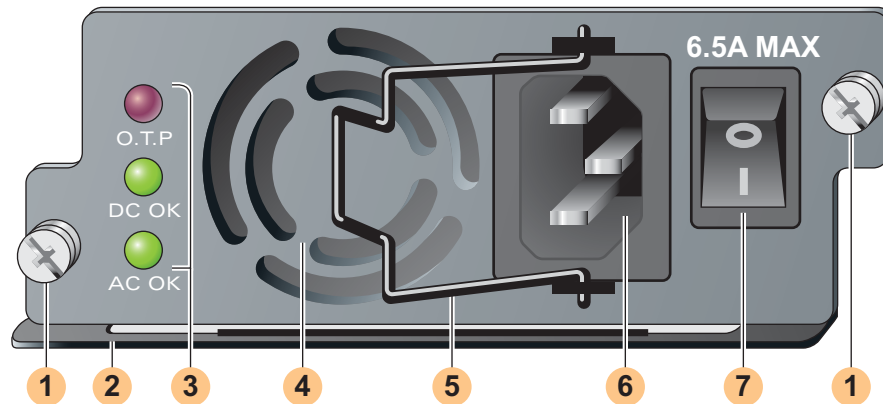
Hot Swap

Hot swapping should be performed by a trained technician. Hot swapping allows you to replace one failed power supply while the others provide full power. This makes it unnecessary to shut down the W-6000 controller during the replacement procedure.

Hot swapping requires that after the target power supply is removed, the chassis's total power load does not exceed the combined rated output of the remaining power supplies.

Physical Description

Figure 6 400W Power Supply



- 1 Module Fastening Screws: These two captive fastening screws hold the power supply in place in the chassis.
- 2 Module Handle: This handle is used for removing or inserting the module into the W-6000 chassis.



CAUTION: Do not use the power supply handle to lift or move the W-6000 controller. Serious damage could result.

- 3 Indicator LEDs

Table 5 400W Power Supply LEDs

LED Name	Position	Status	Description
O.T.P. (Over Temp. Protection)	Top	Off	Power supply temperature is okay.
		Red	Power supply fan has failed or temperature is too high.
DC OK	Middle	Green	DC power output is okay.
		Red	DC power output is not within tolerance.
AC OK	Bottom	Green	AC power input is okay.
		Red	AC power input is not within tolerance.



NOTE: In addition to the LEDs, the power supply status can be viewed using the CLI.

- 4 Air Intake Vent: This air intake vent helps the internal fan cool the power supply during operation. To prevent blockage, keep all material at least 10 cm (4 inches) from the vent.
- 5 Power Cord Retaining Clip: This clip fits over the power cord once the plug has been inserted into the power input socket. It helps prevent the power cord from being pulled out accidentally.



CAUTION: Do not use the power cord retaining clip to remove the power supply module, or to lift or move the W-6000.

- 6 Power Input Socket: This power socket accepts power cords with standard IEC320 connectors. For proper safety and performance, the cord must be rated to 10 A and conform to grounded electrical standards in the country where the product is used.

- 7 Power Switch: The power switch has two states: Off (●) and On (|).

Power Management

The W-6000 controller supports up to three 400 W power supplies. If using one to two primary power supplies for 400 to 800 W of primary power, the use of a 400 W redundant power supply is possible.

For maximum capacity planning, add the maximum power draw required for all of the modules in your chassis configuration to determine the required number of power supplies.

W-6000M3 Module and PSU Configuration Table

The following table displays the W-6000M3 module configurations, and the resultant power supply configurations and power usage.

Table 6 Power Supply and Module Configurations

Module	Number of Units			
W-6000M3 Controller Module (130 W max power draw each)	1	2	3	4
Total Power Drawn (W)	130	260	390	520
Required number of PSUs	1	1	1	2
Redundant number of PSUs	1 or 2	1 or 2	1 or 2	1

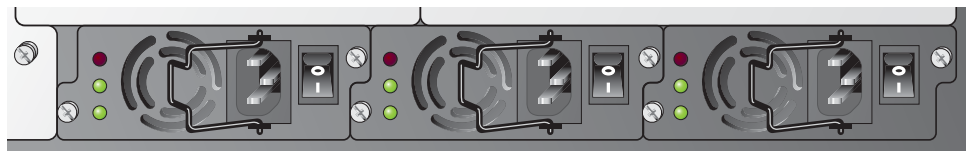
Inserting a Power Supply



CAUTION: Many repairs may only be done by a certified service technician. You should only perform troubleshooting and simple repairs as authorized in your product documentation, or as directed by the online or telephone service and support team. Damage due to servicing that is not authorized by Dell is not covered by your warranty. Read and follow the safety instructions that came with the product.

1. Verify you understand the procedure and all precautions.
Before beginning, read the entire procedure. Verify you understand all the precautions in these steps as well as those on page 10.
2. Select a power supply slot for the power supply.
 - The 400 W power supply (HW-PSU-400) can be installed in any power supply slot and any power supply slot can be left empty. That is, there is no specific required order of slots used for power supplies.

Figure 7 400 W Power Supplies Installed



If replacing a previously installed power supply, first see [“Removing a Power Supply” on page 27](#).

If you are installing a power supply in an empty slot, you may have to remove the blank cover plate first. To do this, use a #2 Phillips or cross-head screwdriver. Turn the captive fastening screws on the faceplate counter-clockwise until they are loose (they cannot be completely removed). Remove the cover plate and store it in a safe place.

3. Verify the power switch on the power supply to be installed is Off (●).



CAUTION: Never insert or remove a power supply while its power switch is in the On (I) position or if the power cord is plugged into the power supply module. Verify the power switch is Off (●) first and that the power cord is unplugged from the W-6000 PSU module.

4. Insert the power supply into the chassis.

Grasp the power supply by the handle attached along the bottom side of the power supply, keeping the LEDs on the left and power switch on the right. Do not use the power cord retaining clip to insert or remove the power supply. Align the back of the module with the guide-rails in the chassis power supply slot and gently slide the module toward the backplane. Do not force the module; it should slide in easily most of the way. There may be moderate resistance when the power supply meets the connectors at the back of the chassis. Press firmly to engage the connectors, but do not use excessive force.

5. Secure the power supply.

Use the screwdriver to push in the module's captive fastening screws and turn them clockwise until moderate resistance is felt. Do not over-tighten.

6. Attach the power cord to the power supply.



NOTE: Swing the cord retaining clip to the left before attaching the power cord.

Plug an appropriate power cord into the power input socket. The socket accepts a power cord with a standard IEC320 plug.

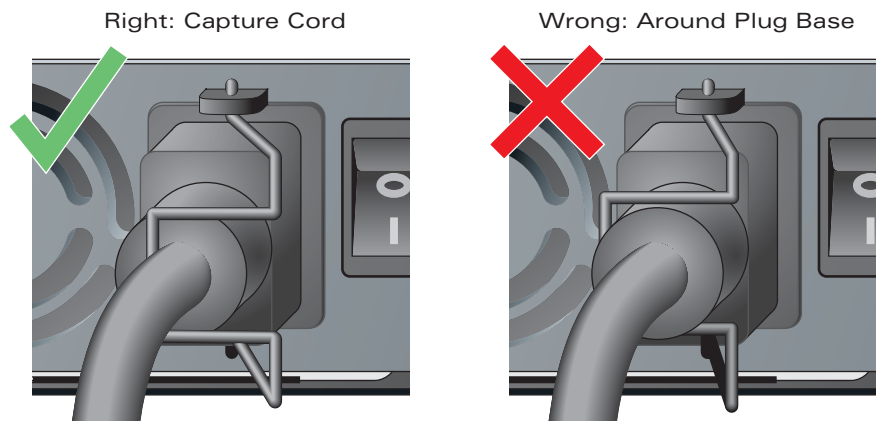


CAUTION: For proper safety and performance, the power cord must be rated to 10 A and conform to grounded electrical standards in the country where the product is operated.

7. Secure the power cord.

When the power cord is attached, swing the power cord retaining clip to the right as shown in [Figure 8 on page 26](#). This will hold the plug in place and help prevent it from being removed accidentally.

Figure 8 Using the Power Cord Retaining Clip



8. Attach the power cord to a proper electrical outlet.

Verify that your site's electrical systems can handle the power load for the W-6000.

- Each power supply (HW-PSU-400) is rated at 400 W total and is auto-ranging to accept 85 to 264 VAC, at 50 to 60 Hz.

Depending on the W-6000's total power load, you may be required to increase the capacity of your site's electrical systems. See [“Power Management” on page 25](#) for details.



CAUTION: For safety reasons, verify the power outlets and plugs are within easy reach of the operator and can be quickly disconnected if necessary.



NOTE: Use of a power line conditioner or Uninterruptable Power Supply (UPS) can decrease or mitigate problems caused by power service fluctuations. Verify that the output of any power shaping device is compatible with the W-6000 controller power supplies.

Removing a Power Supply



CAUTION: Many repairs may only be done by a certified service technician. You should only perform troubleshooting and simple repairs as authorized in your product documentation, or as directed by the online or telephone service and support team. Damage due to servicing that is not authorized by Dell is not covered by your warranty. Read and follow the safety instructions that came with the product.

1. Verify that you understand the procedure and all precautions.
Before beginning, read the entire procedure. Verify that you understand all the precautions in these steps as well as those on page 10.
2. Verify that the power switch on the power supply to be removed is in the Off (●) position.



CAUTION: Never insert or remove a power supply while its power switch is in the On (I) position. Verify the power switch is Off (●) first.

3. Unplug the power supply to be removed.
If using the power cord retaining clip, first swing it to the left and free of the plug. Then remove the plug.
4. Remove the power supply.
Use a #2 Phillips or cross-head screwdriver to turn the power supply's captive fastening screws counter-clockwise until they are loose (they cannot be completely removed). Firmly grasp the handle of the power supply and carefully pull the module out of the chassis.
5. Cover blank slots.
For safety considerations, as well as to promote proper air flow for cooling and to prevent dust from entering the chassis, cover any unoccupied slot with a blank cover plate.

Physical

Table 7 *Physical Specifications*

Item	Measurement
Size	Height 14.9 cm (5.85 inches) Width 44.2 cm (17.4 inches) Depth 31.8 cm (12.5 inches)
Weight	26.5 KG (58 lbs.) maximum 6.3 KG (13.9 lbs.) chassis and fan tray 4.4 KG (9.6 lbs.) each power supply

Environmental

Table 8 *Environmental Specifications*

Item	Measurement
Temperature	Operating: 0 to 40 °C (32 to 104 °F) Storage: 0 to 50 °C (32 to 122 °F) Minor alarm: 40 °C Major alarm: 50 °C Critical alarm: 60 °C
Humidity	5% to 95% (non-condensing)
Altitude	3,048 m (10,000 feet), maximum

Operational

Table 9 *Operational Specifications*

Item	Measurement
Power Supplies	Model HW-PSU-400— Input: 85-264 VAC, 50-60 Hz Output: 48 V, 8 A
Power Consumption	460W (per power supply), maximum
Network Management	HTML Web-browser interface
Standards	IEEE 802.1x, IEEE 802.3 10BASE-T, IEEE 802.3u 100BASE-TX, IEEE 802.3ab 1000BASE-T, IEEE 802.3z 1000BASE-SX

Compliance

Electromagnetic Interference

United States

FCC Class A

This equipment has been tested and found to comply with the limits for a Class A digital device, pursuant to Part 15 of the FCC Rules. These limits are designed to provide reasonable protection against harmful interference when the equipment is operated in a commercial environment. This equipment generates, uses, and can radiate radio frequency energy and, if not installed and used in accordance with the instruction manual, may cause harmful interference to radio communications. Operation of this equipment in a residential area is likely to cause harmful interference in which case the user will be required to correct the interference at their own expense.

Any changes or modifications not expressly approved by the party responsible for compliance could void the user's authority to operate this equipment.

This product complies with Part 15 of the FCC Rules. Operation is subject to the following two conditions: (1) this device may not cause harmful interference, and (2) this device must accept any interference received, including interference that may cause undesired operation.

Canada

This digital apparatus does not exceed the Class A limits for radio noise emissions from digital apparatus as set out in the interference-causing equipment standard entitled "Digital Apparatus," ICES-003 of the Department of Communications.

Cet appareil numérique respecte les limites de bruits radioélectriques applicables aux appareils numériques de Classe A prescrites dans la norme sur le matériel brouilleur: "Appareils Numériques," NMB-003 édictée par le ministère des Communications.

Japan

VCCI - Class A

この装置は、情報処理装置等電波障害自主規制協議会（VCCI）の基準に基づくクラスA情報技術装置です。この装置を家庭環境で使用すると電波妨害を引き起こすことがあります。この場合には使用者が適切な対策を講ずるよう要求されることがあります。

This device complies with Part 15 of the FCC Rules. Operation is subject to the following two conditions: (1) this device may not cause harmful interference, and (2) this device must accept any interference received, including interference that may cause undesired operation.

**This Class A digital apparatus complies with Canadian ICES-003.
Cet appareil numérique de la classe A est conforme à la norme NMB-003 du Canada.**

Apparatet må tilkoples jordet stikkontakt.

Laite on liitettävä suojamaadoituskoskettimilla varustettuun pistorasiaan.

この装置は、クラス A 情報技術装置です。この装置を家庭環境で使用すると電波妨害を引き起こすことがあります。この場合には使用者が適切な対策を講ずるよう要求されることがあります。

VCCI-A

Europe



WARNING: This is a Class A product. In a domestic environment, this product may cause radio interference in which case the user may be required to take adequate measures.

This product complies with EN55022 Class A and EN55024 standards.

Safety

Lithium Battery Notice

This product contains a lithium battery which is replaceable only by a trained technician.



CAUTION: The lithium battery may explode if it is incorrectly replaced. A trained technician should replace the battery with the same or equivalent type battery recommended by the manufacturer. Dispose of used batteries according to the manufacturer's instructions.

Laser Notice

The Dell PowerConnect W-6000M3 Controller Module used with this product uses replaceable laser transceiver modules on some ports.



CAUTION: Use of controls or adjustments of performance or procedures other than those specified in this manual may result in hazardous radiation exposure.

This product complies with 21 CFR Chapter 1, Subchapter J, Part 1040.10, and IEC 60825-1: 1993, A1: 1997, A2: 2001, IEC 60825-2: 2000.

For continued compliance with the above laser safety standards, only approved Class 1 modules from our approved vendors should be installed in the product.

Dell PowerConnect W-6000 Controller Installationsanleitung



Copyright

© 2011 Aruba Networks, Inc. AirWave®, Aruba Networks®, Aruba Mobility Management System® und andere eingetragene Marken sind Marken von Aruba Networks, Inc. Dell™, das DELL™-Logo und PowerConnect™ sind Marken von Dell Inc.

Alle Rechte vorbehalten. Spezifikationen in diesem Handbuch können ohne Ankündigung geändert werden.

Hergestellt in den USA. Alle anderen Marken, die in diesem Handbuch erwähnt werden, sind das Eigentum der jeweiligen Unternehmen.

Open Source Code

Bestimmte Aruba-Produkte enthalten Open Source-Softwarecode, der von Drittanbietern entwickelt wurde, darunter Softwarecode gemäß GNU General Public License (GPL), GNU Lesser General Public License (LGPL) oder anderen Open Source-Lizenzen. Den Open Source Code finden Sie auf dieser Website:

http://www.arubanetworks.com/open_source

Rechtliche Hinweise

Die Verwendung von Switching-Plattformen und Software von Aruba Networks, Inc. durch Einzelpersonen oder Unternehmen zur Terminierung von VPN-Client-Geräten anderer Hersteller stellt die vollständige Anerkennung der Haftbarkeit dieser Einzelpersonen oder dieses Unternehmens für diese Aktion dar und enthebt Aruba Networks, Inc. zur Gänze aller rechtlichen Maßnahmen, die bezüglich der Verletzung des Urheberrechts im Namen dieser Hersteller ergriffen werden.

Vorwort	5
Überblick über dieses Handbuch	5
Verwandte Dokumente	5
Textkonventionen	5
Kontaktaufnahme mit dem Support	6
Kapitel 1 Systemübersicht	7
Leistungsmerkmale	7
Physische Beschreibung	7
Kapitel 2 Installieren des Gehäuses	9
Vor dem Aufstellen - Checkliste	9
Vorsichtsmaßnahmen	10
Anforderungen	10
Mindestkonfiguration	10
Rackmontage-Kit	11
Auswählen eines Standorts	11
Rackmontage des Gehäuses	12
Hinzufügen von W-6000M3 Controller-Modulen	14
Anschließen der Stromkabel	14
Kapitel 3 Überprüfen der Installation	17
Kapitel 4 Der Lüftereinschub	19
Leistungsmerkmale	19
Eingebaute Redundanz	19
Austausch bei laufendem Betrieb	19
Physische Beschreibung	19
Austausch eines Lüftereinschubs	21
Vorbereiten des neuen Lüftereinschubs	21
Entfernen des alten Lüftereinschubs	21
Einsetzen des neuen Lüftereinschubs	22
Kapitel 5 Dell PowerConnect W-6000M3	23
Kapitel 6 Das W-6000-Netzteilmodul	25
Leistungsmerkmale	25
Leistung	25
Lastverteilung	25
Redundanz	25
Austausch bei laufendem Betrieb	25
Physische Beschreibung	26
Stromversorgung	27
W-6000M3-Modul- und Netzteilkonfigurationstabelle	27
Einsetzen eines Netzteils	27

	Entfernen eines Netzteils	29
Kapitel 7	Spezifikationen	31
	Abmessungen und Gewicht.....	31
	Umgebungsbedingungen	31
	Betrieb.....	31
	Konformität	32
	Funkstörungen	32
	USA.....	32
	Kanada	32
	Japan.....	32
	Europa	33
	Sicherheit.....	33
	Hinweis zu Lithiumbatterien	33
	Hinweis zu Lasern	33

Das Vorwort enthält die folgenden Informationen:

- Einen Überblick über die einzelnen Abschnitte des vorliegenden Handbuchs
- Eine Liste verwandter, weiterführender Dokumentationen
- Eine Erläuterung der in diesem Handbuch verwendeten Textkonventionen
- Hinweise zum Support und Service von Dell

Überblick über dieses Handbuch

Dieses Handbuch richtet sich an ausgebildete Techniker, die für die Installation des Dell PowerConnect W-6000 Controllers verantwortlich sind. Das Handbuch hat folgende Gliederung:

- Gehäuse des Dell PowerConnect W-6000 Controllers
In den Kapitel 1, 2 und 3 wird der W-6000 Controller beschrieben, außerdem finden Sie hier Anleitungen zur Montage des Gehäuses, zum Anschließen an die Stromversorgung und zum Durchführen erster Einschalttests.
- Die Dell PowerConnect W-6000M3 Controller-Module
Die Kapitel 4, 5 und 6 befassen sich mit bestimmten Modulen und enthalten Anleitungen zum Einsetzen oder Austauschen der jeweilige Komponente.
- Anhang

Verwandte Dokumente

Die folgenden Teile gehören zur Gesamtdokumentation für das Dell-System:

- *Dell PowerConnect W-6000 Controller Installationshandbuch* (dieses Handbuch)
- *Dell PowerConnect ArubaOS User Guide*
- *Dell PowerConnect W-AP Installationshandbuch*

Textkonventionen

Die folgenden Textkonventionen werden in diesem Handbuch verwendet, um wichtige Konzepte hervorzuheben:

Tabelle 1 *Textkonventionen*

<i>Kursiv</i>	Wichtige Begriffe und Handbuchtitel sind kursiv ausgezeichnet.
Systemelemente	Die normale Courierschrift wird zur Auszeichnung folgender Elemente verwendet: <ul style="list-style-type: none">• Beispielbildschirmausgaben• Eingabeaufforderungen des Systems• Dateinamen, Softwaregeräte und bestimmte Befehle, wenn sie im Text vorkommen.

Tabelle 1 *Textkonventionen*

Befehle	
Befehle	Die fette Courierschrift wird in Befehlsbeispielen für Text verwendet, der von den Benutzern genau so eingegeben werden muss.
<Argumente>	In Befehlsbeispielen repräsentiert kursiver Text in spitzen Klammern Elemente, die die Benutzer entsprechend der jeweiligen Situation durch Informationen ersetzen müssen. Beispiel: <pre># send <Textnachricht></pre> In diesem Beispiel würden die Benutzer an der Eingabeaufforderung „send“ genau so eingeben, wie es geschrieben ist, und dann den Text der Nachricht, die gesendet werden soll. Geben Sie die spitzen Klammern nicht ein.
[Optional]	Elemente in eckigen Klammern in Befehlsbeispielen sind optional. Geben Sie die Klammern nicht ein.
{ Element A Element B }	Elemente in geschweiften Klammern, die durch eine senkrechte Linie getrennt sind, repräsentieren in Befehlsbeispielen mögliche Eingaben. Geben Sie nur eine der Optionen ein. Geben Sie die Klammern und Linien nicht ein.

Kontaktaufnahme mit dem Support

Tabelle 2 *Dell-Kontaktinformationen*

Website	
Hauptwebsite	dell.com
Support-Website	support.dell.com
Dokumentations-Website	support.dell.com/manuals

Der Dell PowerConnect W-6000 Controller ist ein modulares Gehäuse der Enterprise-Klasse, mit dem sich drahtlose Access Points (APs) und Air Monitors (AMs) anschließen, steuern und intelligent in ein kabelgebundenes LAN einbinden lassen.

Dieses Kapitel erläutert den W-6000 Controller. Es beschreibt die allgemeinen Leistungsmerkmale des modularen Systems und veranschaulicht physische Schlüsselemente. Wenn Sie erst einmal mit dem System vertraut sind, können Sie mit dem ebenfalls in diesem Kapitel erläuterten Installationsprozess beginnen.

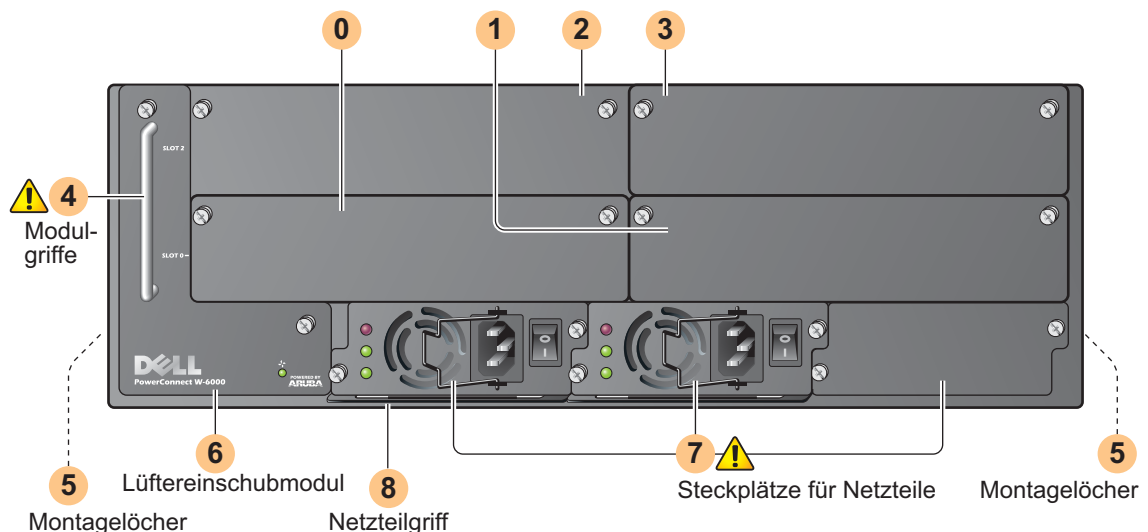
Leistungsmerkmale

Im Folgenden werden die allgemeinen Leistungsmerkmale des W-6000 Controllers kurz dargestellt:

- 10/100/1000-Mbit/s- und 10-Gbit/s-Ethernet-Switch mit Hochgeschwindigkeits-Paketweiterleitung Ebene-2/ Ebene-3.
- Die Hochgeschwindigkeits-Paketverarbeitung ermöglicht zusätzliche Drahtlosdienste wie Lastverteilung, Übertragungsbegrenzung, Selbstreparatur, Kalibrierung, Mobilität und zentrale Überwachung und Konfiguration.
- 3U-Gehäuse kann in ein standardmäßiges 19-Zoll-Telecom- oder -Serverrack eingebaut werden.
- Das modulare Steckplatzgehäuse gestattet eine Netzwerkerweiterung und Fehlertoleranz.
 - Bis zu 4 Dell PowerConnect W-6000M3-Module
 - Bis zu 3 bei laufendem Betrieb austauschbare Netzteile mit Lastverteilungsfunktion, um Redundanz zu erreichen
 - Ein Lüftereinschub mit drei einzelnen Lüftern aus Redundanzgründen

Physische Beschreibung

Abbildung 1 Dell PowerConnect W-6000 Controller



- 0 Slot 0: In diesem Steckplatz wird das erforderliche Dell PowerConnect W-6000M3 Controller-Modul eingesetzt.
- 1 Slot 1: In diesen Steckplatz kann ein zusätzliches W-6000M3-Modul eingesetzt werden.
- 2 Slot 2: In diesen Steckplatz kann ein zusätzliches W-6000M3-Modul eingesetzt werden.
- 3 Slot 3: In diesen Steckplatz kann ein zusätzliches W-6000M3-Modul eingesetzt werden.
- 4 Modulgriffe: Die Modulgriffe werden ausschließlich zum Herausziehen oder Einstecken einzelner Module verwendet.



VORSICHT: Verwenden Sie die Modulgriffe niemals zum Anheben oder Verschieben des W-6000 Controller-Gehäuses. Wenn Sie diese Griffe zum Tragen des Gehäuses verwenden, können sowohl das Modul als auch das Gehäuse ernsthaft Schaden nehmen.

- 5 Löcher für die Halterungen zur Rackmontage (an der Seite)
- 6 Lüftereinschubmodul: Der W-6000 Controller wird durch Luft gekühlt, die vom Lüftereinschub in das Gehäuse gezogen wird. Der Lüftereinschub zieht Luft von rechts nach links an (von vorne betrachtet), sodass der Luftzug an den installierten Modulen entlangläuft.

Während des Betriebs dürfen die Lüftungslöcher auf der linken und rechten Seite des Gehäuses auf keinen Fall durch ein Kabel oder Montagegeräte verdeckt werden. Für eine gute Luftzirkulation lassen Sie links und rechts vom Gehäuse mindestens 10 cm frei.

- 7 Steckplätze für Netzteile: Das Gehäuse hat Steckplätze für bis zu drei Netzteile. Die Anzahl der für Ihr System benötigten Netzteile richtet sich nach der Anzahl der installierten W-6000M3 Controller-Module und ist davon abhängig, ob Sie redundante Netzteile verwenden möchten. Weitere Informationen finden Sie unter [„Stromversorgung“ auf Seite 27](#).

Jedes Netzteil hat ein eigenes Stromkabel und einen eigenen Netzschalter.



VORSICHT: Sie dürfen ein Netzteil auf keinen Fall ein- oder ausbauen, während der Netzschalter eingeschaltet ist oder während das Stromkabel eingesteckt ist. Überprüfen Sie zunächst, ob der Netzschalter ausgeschaltet ist und ob der Stecker herausgezogen ist.



VORSICHT: Treffen Sie entsprechende Vorsichtsmaßnahmen, um sich vor elektrostatischen Aufladungen zu schützen, bevor Sie den Dell W-6000 Controller und seine Komponenten anfassen.

- 8 Netzteilgriff: Fassen Sie diesen Griff, um ein Netzteil einzusetzen oder zu entfernen.



VORSICHT: Das Gerät sollte nur von geschultem Fachpersonal installiert werden.

Diese Kapitel behandelt die folgenden Themen:

- Vorsichtsmaßnahmen, die während der Installation zu beachten sind
- Anforderungen für die W-6000 Controller-Komponenten und den Rackmontagesatz
- Auswahl der richtigen Umgebung für den W-6000 Controller
- Montieren des W-6000 Controllers in einem Rack
- Anschließen des W-6000 Controllers an das Stromnetz

Vor dem Aufstellen - Checkliste

Zur Installation benötigen Sie Folgendes:

- Dell PowerConnect W-6000 Controller
- Rackmontagematerial für den Dell PowerConnect W-6000 Controller (im Lieferumfang enthalten)
- Einen Kreuzschlitzschraubendreher
- Ein 19-Zoll-Geräterack oder ein entsprechendes Rack
- 3U-Rack-Raum, wobei zum Rack links, rechts, vorne und hinten 10 cm Platz sein muss
- Eine zweite Person, die bei der Positionierung des W-6000 Controllers hilft
- Für jedes Netzteil ein Stromkabel mit einer Leistung von mindestens 10 A mit IEC320-Anschluss
- Die richtige Stromversorgung und elektrische Leistung (siehe „[Stromversorgung](#)“ auf Seite 27)
- Kühle, nicht kondensierende Luft bei 0 bis 40 °C. Möglicherweise ist eine Klimaanlage erforderlich
- Konsolenterminal mit einer seriellen Schnittstelle vom Typ RJ-45 oder DB-9.
- Serielles RS-232-Kabel mit RJ-45-Steckern
- Ein serieller Adapter (gehört zum Lieferumfang), wenn an eine DB-9-Konsole angeschlossen wird

Vorsichtsmaßnahmen

VORSICHT: Während das -Netzteilmodul in eine Steckdose eingesteckt ist, herrscht stets eine gefährliche Spannung von mehr als 240 V Wechselstrom vor. Legen Sie alle Ringe, Schmuckstücke und andere leitfähige Gegenstände ab, bevor Sie mit diesem Produkt arbeiten.

Führen Sie nie Fremdkörper in das Gehäuse, das Netzteil oder andere Komponenten ein, selbst wenn die Netzteile ausgeschaltet, vom Stromnetz getrennt oder entfernt wurden.

Die Netzstromversorgung zum W-6000 Controller wird vollständig unterbrochen, indem die Stromkabel aller installierten Netzteile aus den Steckdosen gezogen werden. Aus Sicherheitsgründen müssen alle Steckdosen und Stecker leicht zugänglich sein.

Fassen Sie keine elektrischen Kabel an, die nicht isoliert sind. Dies betrifft auch Netzkabel.

Halten Sie Wasser und andere Flüssigkeiten vom Produkt fern, um elektrische Gefahren zu vermeiden.



Befolgen Sie bei Installation und Betrieb des Produkts stets alle Standards und Vorschriften zur elektrischen Erdung. Das Gehäuse, die Netzwerkanschlüsse, die Netzteile und die Montagehalterungen des W-6000 Controllers dürfen nicht mit Geräten, Kabeln, Objekten oder Personen in Berührung kommen, die mit einer anderen elektrischen Masse verbunden sind. Schließen Sie das Gerät auch nie an externe Blitzschutzsysteme an.

Das Gehäuse und die Module dürfen nur in Umgebungen, die frei von elektrostatischer Aufladung sind, installiert oder entfernt werden. Es wird dringend empfohlen, antistatische Bänder oder Matten zu verwenden.

Die Module müssen in der antistatischen Verpackung aufbewahrt werden, wenn sie nicht im Gehäuse installiert sind.

Dieses Produkt darf nicht in der Nähe von starken elektromagnetischen, elektrostatischen, magnetischen oder radioaktiven Feldern transportiert oder aufbewahrt werden.

Das Gehäuse und die Module dürfen nicht auseinandergebaut werden. Sie besitzen keine internen vom Benutzer brauchbaren Teile. Wie Sie den Service oder Reparaturdienst erreichen, wird im Abschnitt „[Kontaktaufnahme mit dem Support](#)“ auf Seite 6 beschrieben.

Anforderungen

Mindestkonfiguration

Ein Dell PowerConnect W-6000 Controller muss die folgenden Basiskomponenten enthalten:

- Ein W-6000 Controller-Gehäuse
- Einen Lüftereinschub
- Ein W-6000M3 Controller-Modul in Steckplatz 0 (separat erworben)
- Mindestens zwei 400-W-Netzteile



HINWEIS: Die Anzahl der benötigten Netzteile richtet sich nach der Anzahl der W-6000M3 Controller-Module, die im Gehäuse installiert sind (siehe „[Stromversorgung](#)“ auf Seite 27).

Im W-6000 Controller sind bei Lieferung alle erforderlichen Netzteile und Lüftereinschubmodule installiert. Installieren Sie das Gehäuse wie in diesem Kapitel beschrieben und richten Sie sich dann nach den Anleitungen zur Installation der einzelnen zusätzlichen Module in den weiteren Kapiteln.

Rackmontage-Kit

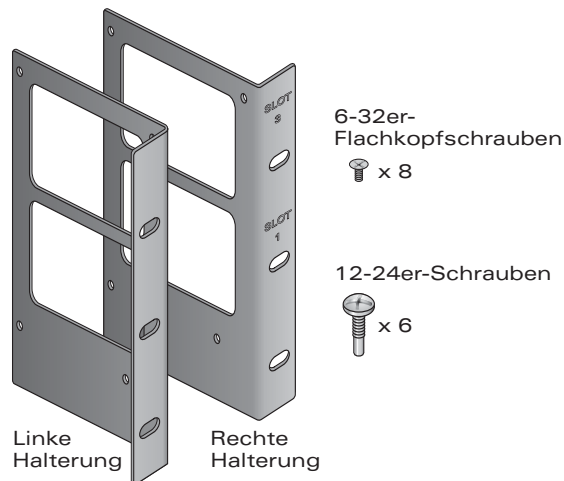
Mit dem zugehörigen Rackmontage-Kit kann der W-6000 Controller in ein standardmäßiges 19-Zoll-Netzwerkgeräterack (Telecom) eingebaut werden. Das Rackmontage-Kit besteht aus folgenden Teilen:

- 6-32 x 1/4" Kreuzschlitzschrauben (6 Stück, im Lieferumfang enthalten)
- 12-24 x 5/8" Kreuzschlitzschrauben (4 Stück, im Lieferumfang enthalten)

Des Weiteren kann der W-6000 Controller auch in ein 19-Zoll-Serverrack eingebaut werden. Für den Einbau in ein Serverrack werden die folgenden im Lieferumfang enthaltenen Teile benötigt:

- 6-32 x 1/4" Kreuzschlitzschrauben (6 Stück, im Lieferumfang enthalten)
- M6 x 20 mm Kreuzschlitzschrauben (4 Stück, im Lieferumfang enthalten)
- M6 Käfigmuttern (4 Stück, im Lieferumfang enthalten) oder M6 Käfigclips (4 Stück, im Lieferumfang enthalten)

Abbildung 2 Material für die Rackmontage (Telecom-Kit abgebildet)



HINWEIS: Die sechs 12-24er-Schrauben dienen zur Befestigung des Gehäuses im Rack. Manche Racks benötigen andere Schrauben, die nicht im Lieferpaket enthalten sind. Stellen Sie sicher, dass Sie die richtigen Schrauben oder sonstigen Befestigungen für Ihr Racksystem haben, bevor Sie mit der Montage des Gehäuses beginnen.

Auswählen eines Standorts

Der W-6000 Controller erfordert wie andere Netzwerk- und Computergeräte eine „elektrofreundliche“ Umgebung.

- Zuverlässige Stromversorgung

Vergewissern Sie sich, dass die verwendete Steckdose mit dem Netzteil des W-6000 Controllers (HW-PSU-400) kompatibel ist, welches auf insgesamt 400 W ausgelegt ist und sich automatisch an eine Spannung zwischen 85 und 264 VAC bei einer Frequenz von 50 bis 60 Hz anpasst.

Die Stromkabel müssen eine Leistung von mindestens 10 A haben und der elektrischen Erdungsnorm des Landes entsprechen, in dem das Produkt betrieben wird.

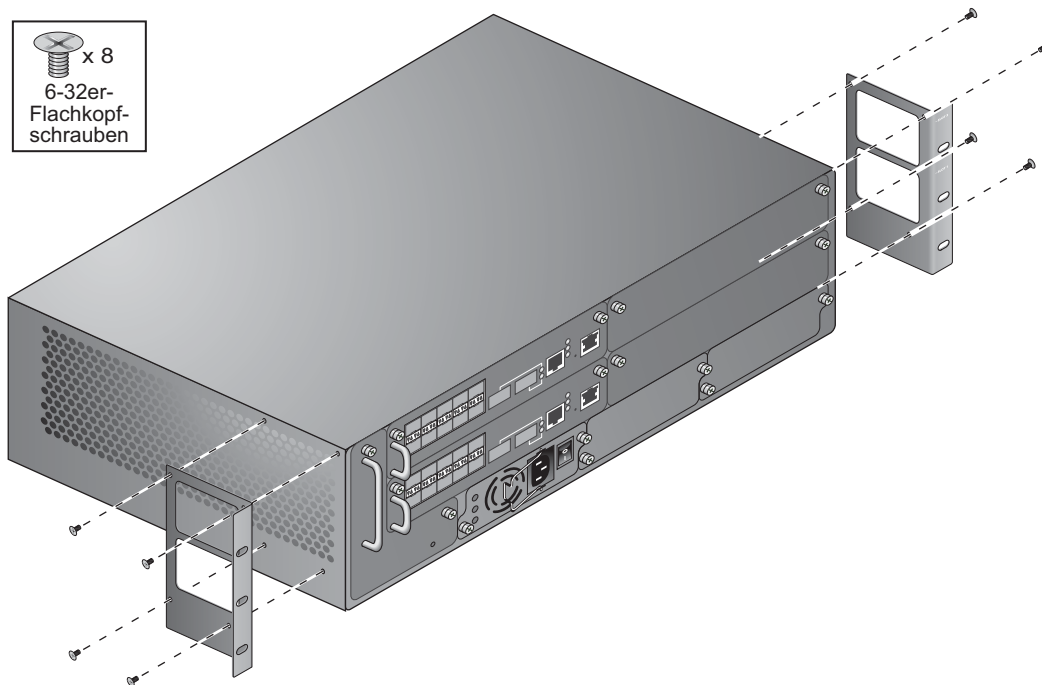
Die Verwendung eines Spannungsreglers oder eines unterbrechungsfreien Netzteils (USV) kann Probleme verringern oder entschärfen, die durch Leistungsschwankungen verursacht werden. Stellen Sie anhand der oben aufgeführten Informationen sicher, dass die Ausgabe ggf. verwendeter Spannungsregler mit den Netzteilen des W-6000 Controllers kompatibel ist.

- Kühle, nicht kondensierende Umgebung mit ausreichender Belüftung
Für den ordnungsgemäßen Betrieb benötigt der W-6000 Controller eine Umgebungstemperatur zwischen 0 und 40 °C. Die Luftfeuchtigkeit muss im Bereich von 5 bis 95 % (nicht kondensierend) liegen.
Wenn zahlreiche elektrische Geräte am selben Standort betrieben werden, sind möglicherweise zusätzliche Vorrichtungen für die Klimatisierung oder Belüftung erforderlich.
- Ausreichend Platz
Für eine angemessene Belüftung muss an den Lüftungsöffnungen links, rechts, vorne und hinten am Gehäuse ein Abstand von mindestens 10 cm eingehalten werden.
Achten Sie auch darauf, dass vor dem Gehäuse genügend Platz bleibt, damit die Stromkabel, Netzkabel und Anzeige-LEDs frei zugänglich sind.
- Eingeschränkte elektromagnetische Interferenz
Für einen optimalen Betrieb sollte zwischen dem W-6000 Controller und allen Kabeln ein Abstand von mindestens 0,7 Metern zu Neonlampen und von 2 Metern zu Fotokopierern, Radiosendern, Stromerzeugern und anderen Geräten, die eine starke elektromagnetische Interferenz verursachen, eingehalten werden.

Rackmontage des Gehäuses

1. Stellen Sie sicher, dass Ihre Rackumgebung den Anforderungen entspricht (siehe „[Auswählen eines Standorts](#)“ auf Seite 11).
2. Befestigen Sie die Rack-Montagehalterungen, wie in [Abbildung 3 auf Seite 12](#) gezeigt, am Gehäuse.

Abbildung 3 Befestigen der Halterungen für die Rackmontage



Die Halterung mit den aufgedruckten Steckplatznummern („Slot 1“ und „Slot 3“) ist an der rechten Seite des W-6000 Controller-Gehäuses anzubringen. Richten Sie beide Halterungen so aus, dass die schmale Kante nach vorne zeigt. Wenn die Halterungen richtig angebracht sind, befinden sich die großen rechteckigen Aussparungen vor den seitlichen Lüftungslöchern, sodass im Betrieb eine geeignete Belüftung möglich ist. Verwenden Sie einen Kreuzschlitzschraubendreher, um jede Halterung mit vier 6-32er-Flachkopfschrauben (beiliegend) sicher zu befestigen.

3. Befestigen Sie den W-6000 Controller am Rack.



VORSICHT: Um Verletzungen oder Beschädigungen am Gerät zu vermeiden, sollte Ihnen beim Heben und Positionieren des W-6000 Controllers eine zweite Person helfen. Auch sollten Sie den W-6000 Controller nicht so installieren, dass die Befestigung instabil oder die mechanische Last unausgeglichen ist.



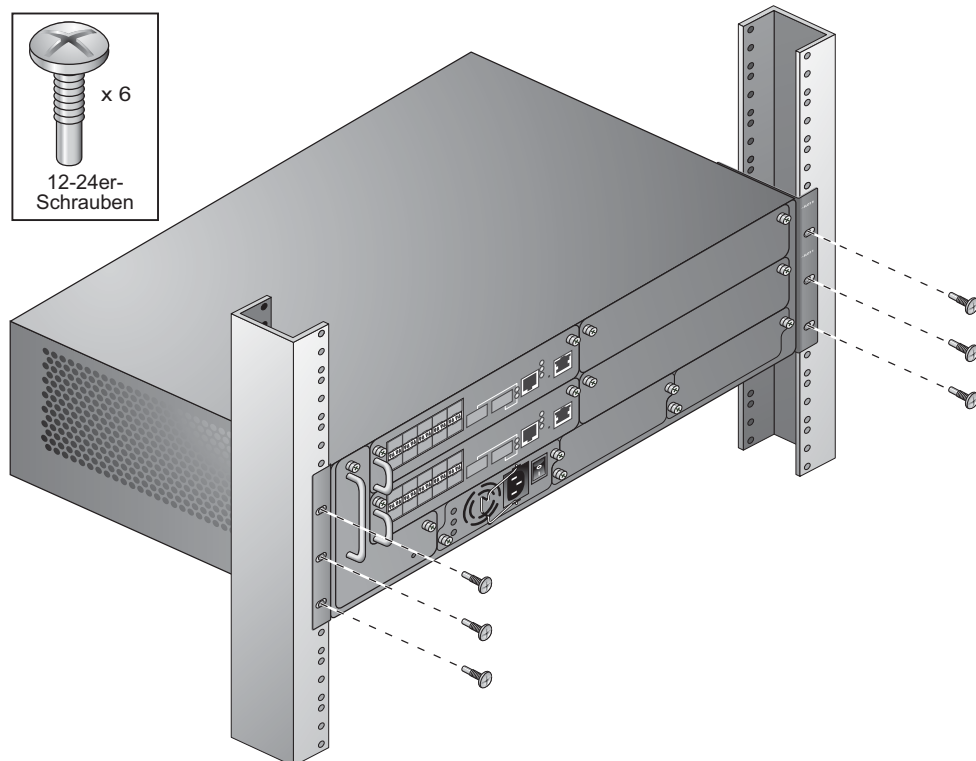
HINWEIS: Für den ordnungsgemäßen Betrieb benötigt der W-6000 Controller eine Umgebungstemperatur zwischen 0 und 40 °C. Stellen Sie sicher, dass Ihre Rackumgebung diesen Anforderungen entspricht.

Wenn Sie dieses Gerät in ein Serverrack einbauen, bringen Sie zunächst die Käfigmuttern/-clips an. Gehen Sie folgendermaßen vor, um die Käfigmuttern/-clips anzubringen:

- Setzen Sie die untere Klemmzunge der Käfigmutter über die quadratische Öffnung auf der Rückseite der Schiene ein.
- Führen Sie das schmalere Ende des Werkzeugs zum Einsetzen von Käfigmuttern von der Vorderseite aus durch die Öffnung in der Schiene und haken Sie das Werkzeug über die obere Klemmzunge der Käfigmutter.
- Drücken Sie die Käfigmutter in Richtung der Schiene, während Sie das Werkzeug nach oben drehen und nach hinten in Ihre Richtung ziehen, bis die obere Klemmzunge der Käfigmutter einrastet.
- Bauen Sie den W-6000 Controller auf die übliche Weise ein.

Schieben Sie das Gehäuse in das Geräterack und richten Sie die Löcher der Montagehalterungen auf die entsprechenden Löcher im Rahmen des Racks aus.

Abbildung 4 Montage des W-6000 Controllers



Verwenden Sie einen Kreuzschlitzschraubendreher, um das Gehäuse mit den drei 12-24er-Schrauben (Telecom-Rack) oder drei M6 x 20mm-Schrauben (Serverrack) für jede Montagehalterung zu sichern.



HINWEIS: Manche Gehäuse benötigen andere Schrauben, die nicht im Lieferpaket enthalten sind. Stellen Sie sicher, dass Sie die richtigen Schrauben oder sonstigen Befestigungen für Ihr Racksystem verwenden.

Hinzufügen von W-6000M3 Controller-Modulen

Wenn Sie die verschiedenen Module getrennt vom Gehäuse bekommen haben oder Ihr System um zusätzliche Module ergänzen wollen, befolgen Sie die spezifischen Anleitungen in den nachfolgenden Kapiteln dieses Handbuchs, in denen die Installation der einzelnen Module erläutert wird.



HINWEIS: Durch das Hinzufügen von Modulen erhöhen Sie den Gesamtleistungsbedarf. Daher müssen Sie je nach installierten Modulen möglicherweise zusätzliche Netzteile in das Gehäuse einbauen und/oder die Kapazität Ihres elektrischen Systems erhöhen. Ausführliche Informationen finden Sie im Abschnitt „[Stromversorgung](#)“ auf Seite 27.

Anschließen der Stromkabel



VORSICHT: Dieser Arbeitsgang sollte nur von geschultem Fachpersonal durchgeführt werden.

1. Vergewissern Sie sich, dass Sie den Vorgang und alle Vorsichtsmaßnahmen verstehen.
Lesen Sie bitte, bevor Sie beginnen, die gesamte Anleitung. Vergewissern Sie sich, dass Sie alle Vorsichtsmaßnahmen in den einzelnen Arbeitsschritten verstehen sowie die auf Seite 10 genannten.
2. Stellen Sie sicher, dass die installierten Netzteile für den Leistungsbedarf ausgelegt sind.
Wie viele Netzteile für Ihren W-6000 Controller benötigt werden, hängt von der Anzahl der installierten W-6000M3 Controller-Module ab. Ausführliche Informationen finden Sie unter „[Stromversorgung](#)“ auf Seite 27.
3. Stellen Sie sicher, dass das Stromnetz in Ihrem Gebäude für den Leistungsbedarf des W-6000 Controllers ausgelegt ist.
 - Jedes W-6000 Controller-Netzteil (HW-PSU-400) hat eine Leistung von insgesamt 400 W und ist automatisch umschaltend, sodass Werte von 85-264 V Wechselstrom bei 50 bis 60 Hz akzeptiert werden.
Abhängig von der Gesamtlast müssen Sie möglicherweise die Kapazität Ihres elektrischen Systems erhöhen. Ausführliche Informationen finden Sie unter „[Stromversorgung](#)“ auf Seite 27.



HINWEIS: Die Verwendung eines Spannungsreglers oder eines unterbrechungsfreien Netzteils (USV) kann Probleme verringern oder entschärfen, die durch Leistungsschwankungen verursacht werden. Stellen Sie anhand der oben aufgeführten Informationen sicher, dass die Ausgabe ggf. verwendeter Spannungsregler mit den Netzteilen des W-6000 Controllers kompatibel ist.

4. Vergewissern Sie sich, dass der Stromschalter des Netzteils ausgeschaltet ist (Position **0**).



VORSICHT: Sie dürfen ein Stromkabel auf keinen Fall an ein Netzteil anschließen, während der Netzschalter eingeschaltet ist (Position **I**). Überprüfen Sie zunächst, ob der Netzschalter ausgeschaltet ist (Position **0**).

5. Stecken Sie das Stromkabel in das Netzteil.
Stecken Sie ein passendes Stromkabel in die Stromeingangsbuchse. Der Stromanschluss ist für ein Stromkabel mit einem standardmäßigen IEC320-Stecker ausgelegt.



VORSICHT: Für ausreichend Sicherheit und Leistungsfähigkeit muss das Stromkabel eine Leistung von mindestens 10 A haben und der elektrischen Erdungsnorm des Landes entsprechen, in dem das Produkt betrieben wird.



HINWEIS: Zum 400-W-Netzteil (HW-PSU-400) gehört ein Haltebügel für das Stromkabel. Wenn das Stromkabel eingesteckt ist, kann es mit dem Haltebügel gesichert werden, sodass es nicht versehentlich herausgezogen werden kann (siehe [Abbildung 8 auf Seite 28](#)).

6. Stecken Sie das Stromkabel in eine geeignete Steckdose.



VORSICHT: Aus Sicherheitsgründen müssen alle Steckdosen und Stecker leicht zugänglich sein, sodass die Stecker bei Bedarf schnell herausgezogen werden können.

Wiederholen Sie die obigen Schritte 4, 5 und 6 für jedes installierte Netzteil.

Sobald der Strom angeschlossen ist, können Sie den Anschalttest durchführen (siehe Seite 17).

Nachdem der W-6000 Controller physisch installiert ist, sollten Sie den folgenden Anschalttest durchführen:

1. Schalten Sie alle installierten Netzteile schnell hintereinander an.
Kippen Sie den Stromschalter jedes Netzteils auf die Position (|).



HINWEIS: Um beim Einschalten eine Überlastung des ersten Netzteils zu vermeiden, sollten alle erforderlichen Netzteile ungefähr gleichzeitig (innerhalb von drei Sekunden) eingeschaltet werden.

2. Prüfen Sie, ob die richtigen Stromanzeigen leuchten.
Unmittelbar nach dem Einschalten des Stroms sollten Sie Folgendes beobachten können:
 - Alle AC-OK- und DC-OK-LEDs leuchten kontinuierlich in Grün.
 - Die LED „Fan Status“ des Lüftereinschubs leuchtet kontinuierlich in Grün, und Sie selbst sollten an jeder der drei Lüfterpositionen einen signifikanten Luftzug von den Lüftungslöchern des Gehäuses her spüren.
3. Prüfen Sie, ob die richtigen Betriebsanzeigen leuchten.
Nachdem das System erfolgreich gestartet ist, sollten Sie Folgendes beobachten können:
 - Die AC-OK- und DC-OK-LEDs des Netzteils leuchten immer noch kontinuierlich in Grün.
 - Die LED „Fan Status“ des Lüftereinschubs leuchtet kontinuierlich in Grün.



HINWEIS: Weitere Informationen zum Verhalten von LEDs finden Sie in den jeweiligen Kapiteln zu den verschiedenen Modulen.

4. Nachdem das System den erstmaligen Anschalttest bestanden hat:
 - Schließen Sie die entsprechenden Netzkabel an.
5. Jetzt können Sie die erstmalige Einrichtung der auf den Controller geladenen Software durchführen, wie sie im *Aruba Quick Start Guide* (Teil des Zubehörkits) beschrieben ist.

Der Lüftereinschub für den Dell PowerConnect W-6000 Controller (HW-FT) ermöglicht die Luftzirkulation zum Kühlen der W-6000M3-Module im Dell PowerConnect W-6000 Controller-Gehäuse und ist für den normalen Betrieb notwendig. Die normale Betriebstemperatur für das W-6000 Controller-Gehäuse liegt zwischen 0 und 40 °C. Wenn dieser Temperaturbereich überschritten wird, gibt der W-6000 eine Warnung aus, um den Benutzer über die Änderung zu informieren. In der folgenden Tabelle sind diese Warnungen und die jeweiligen Schwellenwerte aufgeführt:

Tabelle 3 *Temperaturgrenzen*

Warnstufe	Grenze
Niedrig	40 °C
Höher	50 °C
Kritisch	60 °C

Dieses Kapitel beschreibt die allgemeinen Leistungsmerkmale und physischen Eigenschaften des Lüftereinschubs und umfasst zudem Anleitungen für einen gegebenenfalls erforderlichen Austausch des Moduls.

Leistungsmerkmale

Eingebaute Redundanz

Die drei Lüfter werden im Lüftereinschub bereitgestellt. Das Modul ist so konzipiert, dass die Kühlung ausreicht, selbst wenn einer der Lüfter ausfällt. Wenn zwei dieser Lüfter betriebstüchtig sind, bieten diese eine ausreichende Belüftung und Kühlung, bis der Lüftereinschub ausgetauscht werden kann.

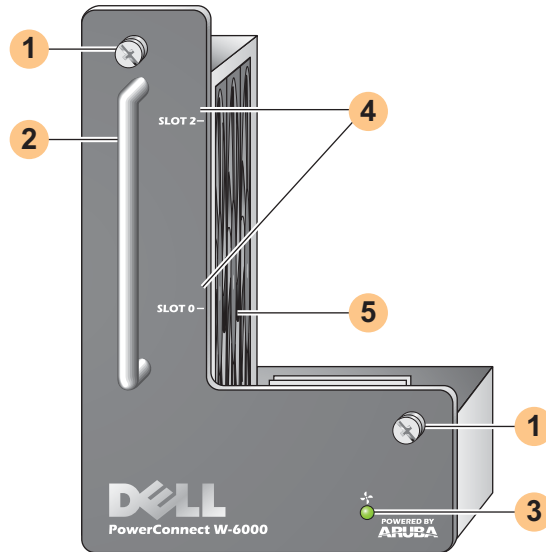
Austausch bei laufendem Betrieb

Der Austausch bei laufendem Betrieb sollte nur von geschultem Fachpersonal durchgeführt werden. Sie können den Lüftereinschub austauschen ohne das System herunterfahren zu müssen. Während des Austauschs funktioniert das Gehäuse ohne Lüfter, wenngleich der Vorgang in einer Minute abgeschlossen sein muss, damit das Gerät wieder ordentlich gekühlt wird.

Physische Beschreibung

Der Lüftereinschub befindet sich auf der linken Seite des W-6000 Controller-Gehäuses und erstreckt sich von der Vorder- bis zur Rückseite.

Abbildung 5 Lüftereinschub der Serie Dell W-6000 Controller



- 1 Modulbefestigungsschrauben: Diese unverlierbaren Schrauben dienen zur Befestigung des Moduls im Gehäuse.
- 2 Modulgriff: Mit diesem Griff lässt sich das Modul aus dem Gehäuse herausnehmen bzw. hineinschieben.



VORSICHT: Verwenden Sie den Griff des Lüftereinschubs niemals zum Anheben oder Verschieben des W-6000 Controllers. Es könnte sonst ein ernsthafter Schaden entstehen.

- 3 LED „Fan Status“ (Lüfterstatus): Während des Betriebs gibt die LED „Fan Status“ die folgenden Informationen zum Lüfterstatus an:

Tabelle 4 Leuchtmuster der Lüftereinschub-LEDs

Status	Beschreibung
Aus	Der Lüftereinschub funktioniert nicht.
Grün	Der Lüftereinschub bekommt Strom und alle drei Lüfter funktionieren richtig.
Gelb	Ein Lüfter ist ausgefallen, aber die anderen beiden Lüfter bieten eine ausreichende Kühlung, bis Sie die Möglichkeit haben, den Lüftereinschub auszutauschen.
Rot	Zwei oder mehr Lüfter sind ausgefallen. Ersetzen Sie den Lüftereinschub sofort.



HINWEIS: Zusätzlich zu den LEDs kann der Status des Lüftereinschubs und die allgemeine Gehäusetemperatur auch am CLI überwacht werden.

- 4 Steckplatzbeschriftung: Wenn der Lüftereinschub im W-6000 Controller installiert ist, kennzeichnen diese Beschriftungen die Modulsteckplätze unmittelbar rechts neben dem Lüftereinschub (siehe [Abbildung 1 auf Seite 7](#)).
- 5 Lüfter (seitlich): Drei unabhängige Lüfter sorgen für Redundanz bei der Kühlung der W-6000 Controller-Karten.

Austausch eines Lüftereinschubs



VORSICHT: Viele Reparaturvorgänge können nur von zertifiziertem Fachpersonal ausgeführt werden. Sie sollten nur Schritte zur Fehlerbehebung und einfache Reparaturen ausführen, die in der Produktdokumentation beschrieben sind, oder die Ihnen online oder telefonisch vom Supportteam mitgeteilt werden. Schäden aufgrund von Reparaturarbeiten, die nicht von Dell autorisiert wurden, werden nicht von der Garantie abgedeckt. Lesen und befolgen Sie die Sicherheitsanleitungen, die Sie mit dem Produkt enthalten haben.

Wenn Sie den Lüftereinschub im laufenden Betrieb austauschen, sollten Sie sich über die zeitkritischen Aspekte des Vorgangs im Klaren sein. Um richtig vorbereitet zu sein, lesen Sie bitte alle Schritte der Anleitung, bevor Sie mit dem Austausch beginnen.

Vergewissern Sie sich zudem, dass Sie alle Vorsichtsmaßnahmen in den einzelnen Arbeitsschritten verstehen sowie die auf Seite 10 genannten.

Vorbereiten des neuen Lüftereinschubs

1. Packen Sie den Lüftereinschub aus.
2. Untersuchen Sie den neuen Lüftereinschub, um sicherzustellen, dass er nicht beschädigt ist.
3. Legen Sie den neuen Lüftereinschub an einen sicheren, gut zugänglichen Platz in der Nähe des Gehäuses, sodass er für ein schnelles Einschieben bereit ist.
4. Legen Sie einen Nr.-2-Kreuzschlitzschraubendreher bereit.

Entfernen des alten Lüftereinschubs

1. Lösen Sie die Schrauben des Lüftereinschubs.

Verwenden Sie vorne am W-6000 Controller den Kreuzschlitzschraubendreher, um die beiden Schrauben an der Abdeckplatte des installierten Lüftereinschubs zu lösen. Die Schrauben lösen sich, wenn Sie gegen den Uhrzeigersinn drehen, sind aber unverlierbar, d. h. sie können nicht vollständig entfernt werden.

2. Nehmen Sie den Lüftereinschub heraus.

Fassen Sie den Modulgriff fest an, und ziehen Sie den Lüftereinschub nach vorne aus seinem Steckplatz heraus. Möglicherweise ist ein leichter Widerstand zu spüren, bis das Modul von seiner Steckverbindung mit der Rückseite des Gehäuses gelöst ist, Sie sollten aber keine übermäßige Kraft ausüben.

Wenn das Modul vollständig von der Rückseite gelöst ist, haben die Lüfter keinen Strom mehr, sodass sie allmählich zu drehen aufhören.

VORSICHT: Die Lüfter werden sich noch kurze Zeit drehen, selbst wenn sie keinen Strom mehr haben. Warten Sie, bis sie aufgehört haben, sich zu drehen, bevor Sie den Lüftereinschub vollständig herausziehen.



Wenn Sie das Modul bei laufendem Betrieb austauschen, läuft der W-6000 Controller weiter, und sobald sich die Lüfter nicht mehr drehen, wird in den Betriebskomponenten die Hitze ansteigen. Ab diesem Zeitpunkt haben Sie nicht mehr viel Zeit (1 Minute) bis zur vollständigen Installation des neuen Lüftereinschubs.

Dieses Zeitlimit von einer Minute muss unbedingt eingehalten werden, da der W-6000 Controller nicht über eine Abschaltfunktion bei Überhitzung verfügt. Wenn Sie den Lüftereinschub nicht innerhalb einer Minute einsetzen können, schalten Sie den Controller aus.

3. Wenn der Lüftereinschub erst einmal von der Steckverbindung gelöst ist, sollte er leicht aus dem Gehäuse gleiten. Ziehen Sie den Lüftereinschub vollständig heraus, und legen Sie ihn auf einen sicheren Platz.

Einsetzen des neuen Lüftereinschubs

1. Nehmen Sie den neuen Lüftereinschub bei dem Griff an seiner Vorderseite.
2. Schieben Sie den Lüftereinschub vorsichtig in den vorgesehenen Steckplatz des Gehäuses.
Richten Sie die Rückseite des Lüftereinschubs mit den Führungsschienen am Gehäusesteckplatz für den Lüftereinschub aus und schieben Sie den Lüftereinschub vorsichtig in Richtung der rückwärtigen Abdeckung. Das Modul sollte sich mühelos fast ganz einschieben lassen.
3. Schieben Sie den Lüftereinschub in die Steckverbindung.
Wenn der Lüftereinschub die Rückseite des Gehäuses erreicht, kann ein leichter Widerstand zu spüren sein. Drücken Sie fest, bis die der hintere Teil des Moduls an der Steckverbindung der Rückseite einrastet, Sie sollten dabei aber keine übermäßige Kraft ausüben.
Wenn Sie das Modul bei laufendem Betrieb austauschen, sollten die Lüfter laufen, sobald die Steckverbindungen richtig eingerastet sind, da dadurch die Stromversorgung wiederhergestellt ist.
4. Prüfen Sie, ob die Lüfter alle laufen.
Sobald die Stromversorgung für den Lüftereinschub wiederhergestellt ist – indem entweder bei eingeschaltetem Gerät das Modul an der Rückseite einrastet oder bei ausgeschaltetem Gerät der Netzschalter eingeschaltet wird –, sollte die LED „Fan Status“ durchgehend grün leuchten, und Sie selbst sollten einen signifikanten Luftzug von den Lüftungslöchern des Gehäuses her spüren.
Wenn die Lüfter alle funktionieren, ist die zeitkritische Phase des Austauschs bei laufendem Betrieb abgeschlossen.
Wenn *einer* der Lüfter in einem gerade erst bei laufendem Betrieb ausgetauschten Lüftereinschub nicht funktioniert (die LED „Fan Status“ ist gelb), warten Sie mindestens drei Minuten, bis die verbleibenden Lüfter das Gehäuse heruntergekühlt haben, bevor Sie einen weiteren Austausch bei laufendem Betrieb versuchen.



VORSICHT: Wenn zwei oder mehr der Lüfter in einem gerade erst bei laufendem Betrieb ausgetauschten Lüftereinschub nicht funktionieren (die LED „Fan Status“ ist rot), fahren Sie den W-6000 Controller herunter, tauschen den Lüftereinschub aus, und lassen den W-6000 Controller mindestens fünf Minuten herunterkühlen, bevor Sie ihn wieder anschalten.

5. Befestigen Sie den Lüftereinschub.
Verwenden Sie den Kreuzschlitzschraubendreher, um die beiden Schrauben an der Abdeckplatte des neu installierten Lüftereinschubs anzuziehen. Drehen Sie die Schrauben im Uhrzeigersinn fest, bis ein leichter Widerstand zu spüren ist, aber ziehen Sie die Schrauben nicht zu fest an.

Der Dell PowerConnect W-6000M3 ist ein bei laufendem Betrieb austauschbares Controller-Modul zur Verwendung innerhalb eines W-6000 Controller-Gehäusesystems. Das W-6000 Controller-Gehäuse kann bis zu vier Module aufnehmen, von denen jedes als Mastermodul oder lokales Modul konfiguriert werden kann. Vollständige Informationen zum W-6000M3, darunter Installationsanleitungen, Kompatibilitätshinweise und Konfigurationsoptionen finden Sie im *Dell PowerConnect W-6000M3 Installation Guide*. Ausführliche Informationen zur Stromversorgung finden Sie im Abschnitt „[Stromversorgung](#)“ auf Seite 27.

Jedes W-6000M3 Controller-Modul kann bis zu 512 auf dem Gelände angeschlossene APs unterstützen, wenn entsprechende Dell AP-Upgradelizenzen erworben werden. Wenden Sie sich an Ihren Dell-Kundenbetreuer, um eine vollständige Liste der verfügbaren Softwarelizenzen zu erhalten.

Informationen zur Installation und Verwendung des Dell PowerConnect W-6000M3 Controller-Moduls finden Sie im *Dell PowerConnect W-6000M3 Controller Module Installation Guide*. Dieses Handbuch ist im Lieferumfang jedes Moduls enthalten.

Das Netzteil des Dell PowerConnect W-6000 Controllers bereitet die Stromversorgung für die Verwendung mit dem W-6000 Controller auf. Das W-6000-Gehäuse hat drei Steckplätze für einzelne Netzteile, die Lastverteilung und Fehlertoleranz unterstützen.

In diesem Kapitel werden die allgemeinen Funktionen und physischen Merkmale des Netzteils beschrieben, außerdem finden Sie hier wichtige Informationen zur Energieverwaltung. Die letzten Abschnitte des Kapitels enthalten Anleitungen zum Einsetzen und Entfernen von Netzteilen.

Leistungsmerkmale

Leistung

Das Dell W-6000-Netzteil (HW-PSU-400) hat eine Nennleistung von insgesamt 400 W und ist automatisch umschaltend, sodass Werte von 85-264 V Wechselstrom bei 50 bis 60 Hz akzeptiert werden. Bis zu drei 400-W-Netzteile können im W-6000 Controller installiert werden.

Lastverteilung

Eine Lastverteilung wird durchgeführt, wenn im W-6000 Controller mehrere Netzteile mit derselben Leistung installiert wurden und eingeschaltet sind. Bei der Lastverteilung wird die Gesamtlast des W-6000 auf alle angeschlossenen Netzteilmodule verteilt. Da die Netzteile zusammen arbeiten, erhöht sich die effektive Stromkapazität im Gehäuse mit jedem zusätzlichen Netzteil.

Redundanz

Wenn mehrere Netzteile installiert sind und dann ein Netzteil nicht mehr verfügbar ist (weil es ausfällt, ausgeschaltet oder entfernt wird), versuchen die verbleibenden Netzteile, den W-6000 Controller weiterhin uneingeschränkt mit Strom zu versorgen. Wenn die Gesamtstromlast die kombinierte Nennleistung der in Betrieb verbleibenden Netzteile nicht übersteigt, kann der W-6000 seine Arbeit fortsetzen. Weitere Informationen zur Konfiguration der Netzteile finden Sie im Abschnitt „[Stromversorgung](#)“ auf Seite 27.

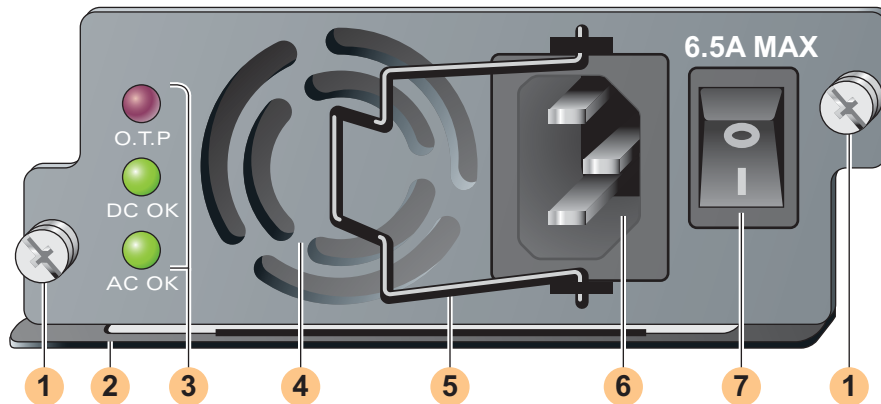
Austausch bei laufendem Betrieb

Der Austausch bei laufendem Betrieb sollte nur von geschultem Fachpersonal durchgeführt werden. Über den Austausch bei laufendem Betrieb kann ein fehlerhaftes Netzteil ausgetauscht werden, während das Gerät von den anderen Netzteilen weiterhin mit Strom versorgt wird. Dies bietet den Vorteil, dass der W-6000 Controller beim Austauschen des Netzteils nicht ausgeschaltet werden muss.

Für den Austausch bei laufendem Betrieb ist es erforderlich, dass der Gesamtleistungsbedarf des Gehäuses nach dem Entfernen des jeweiligen Netzteils die kombinierte Nennleistung der verbleibenden Netzteile nicht übersteigt.

Physische Beschreibung

Abbildung 6 Netzteil mit 400 W



- 1 Modulbefestigungsschrauben: Diese beiden unverlierbaren Schrauben halten das Modul im Gehäuse.
- 2 Modulgriff: Mit diesem Griff lässt sich das Modul aus dem W-6000-Gehäuse herausnehmen bzw. hineinschieben.



VORSICHT: Verwenden Sie den Griff des Netzteils niemals zum Anheben oder Verschieben des W-6000 Controllers. Es könnte sonst ein ernsthafter Schaden entstehen.

- 3 Anzeige-LEDs

Tabelle 5 LEDs des 400-W-Netzteils

LED-Name	Position	Status	Beschreibung
O.T.P. (Übertemp.- Schutz)	Oben	Aus	Netzteiltemperatur ist in Ordnung.
		Rot	Netzteil Lüfter ist ausgefallen, oder die Temperatur ist zu hoch.
DC OK	Mitte	Grün	Gleichstrom-Ausgangsleistung ist in Ordnung.
		Rot	Gleichstrom-Ausgangsleistung liegt außerhalb der Toleranzgrenze.
AC OK	Unterseite	Grün	Wechselstrom-Eingangsleistung ist in Ordnung.
		Rot	Wechselstrom-Eingangsleistung liegt außerhalb der Toleranzgrenze.



HINWEIS: Neben den LEDs gibt auch das CLI Aufschluss über den Status der Netzteile.

- 4 Lufteinströmungsöffnung: Diese Lufteinströmungsöffnung hilft dem internen Lüfter, das Netzteil während des Betriebs zu kühlen. Um eine Blockierung zu vermeiden, sollten mindestens 10 cm vor dieser Öffnung frei sein.
- 5 Netzkabelhaltebügel: Dieser Haltebügel passt über das Stromkabel, nachdem der Stecker in die Stromeingangsbuchse gesteckt wurde. Er hilft zu verhindern, dass das Stromkabel versehentlich herausgezogen wird.



VORSICHT: Ziehen Sie nicht am Haltebügel für das Netzkabel, um das Netzteilmodul zu entfernen, und heben oder bewegen Sie den W-6000 nicht mit diesem Haltebügel.

- 6 Stromeingangsbuchse: Diese Strombuchse akzeptiert Stromkabel mit standardmäßigen IEC320-Anschlüssen. Für ausreichend Sicherheit und Leistungsfähigkeit muss das Kabel eine Leistung von mindestens 10 A haben und der elektrischen Erdungsnorm des Landes entsprechen, in dem das Produkt verwendet wird.
- 7 Stromschalter: Der Stromschalter hat zwei Status: Aus (●) und An (|).

Stromversorgung

Der W-6000 Controller unterstützt bis zu drei 400-W-Netzteile. Wenn Sie ein bis zwei primäre Netzteile für 400 bis 800 W Hauptstrom verwenden, ist es möglich, ein redundantes 400-W-Netzteil zu verwenden.

Für eine Planung der maximalen Kapazität addieren Sie den maximalen Leistungsbedarf aller Module in Ihrer Gehäusekonfiguration, um so die Anzahl der erforderlichen Netzteile zu bestimmen.

W-6000M3-Modul- und Netzteilkonfigurationstabelle

In der folgenden Tabelle sind die Konfigurationen des W-6000M3-Moduls und die sich daraus ergebenden Netzteilkonfigurationen und Energiedaten aufgeführt.

Tabelle 6 Netzteil- und Modulkonfigurationen

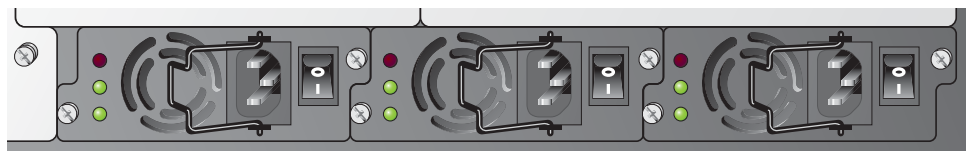
Modul	Anzahl der Einheiten			
W-6000M3 Controller-Modul (je 130 W max. Leistungsbedarf)	1	2	3	4
Gesamtleistungsbedarf (W)	130	260	390	520
Erforderliche Anzahl Netzteile	1	1	1	2
Redundante Anzahl Netzteile	1 oder 2	1 oder 2	1 oder 2	1

Einsetzen eines Netzteils

VORSICHT: Viele Reparaturvorgänge können nur von zertifiziertem Fachpersonal ausgeführt werden. Sie sollten nur Schritte zur Fehlerbehebung und einfache Reparaturen ausführen, die in der Produktdokumentation beschrieben sind, oder die Ihnen online oder telefonisch vom Supportteam mitgeteilt werden. Schäden aufgrund von Reparaturarbeiten, die nicht von Dell autorisiert wurden, werden nicht von der Garantie abgedeckt. Lesen und befolgen Sie die Sicherheitsanleitungen, die Sie mit dem Produkt enthalten haben.

1. Vergewissern Sie sich, dass Sie den Vorgang und alle Vorsichtsmaßnahmen verstehen.
Lesen Sie bitte, bevor Sie beginnen, die gesamte Anleitung. Vergewissern Sie sich, dass Sie alle Vorsichtsmaßnahmen in den einzelnen Arbeitsschritten verstehen sowie die auf Seite 10 genannten.
2. Wählen Sie einen Netzteil-Steckplatz für das Netzteil aus.
 - Das 400-W-Netzteil (HW-PSU-400) kann in jedem Netzteilschacht installiert werden, und jeder beliebige Netzteilschacht kann unbesetzt bleiben. Anders ausgedrückt, es gibt keine bestimmte Reihenfolge, in der die Steckplätze mit Netzteilen bestückt werden müssen.

Abbildung 7 Installierte 400-W-Netzteile



Wenn Sie ein zuvor installiertes Netzteil austauschen, lesen Sie zuerst den Abschnitt „Entfernen eines Netzteils“ auf Seite 29.

Wenn Sie ein Netzteil in einem leeren Steckplatz installieren, müssen Sie möglicherweise zuerst die Abdeckplatte entfernen. Dazu verwenden Sie einen Nr.-2-Kreuzschlitzschraubendreher. Drehen Sie die unverlierbaren Schrauben auf der Vorderseite gegen den Uhrzeigersinn, um sie zu lösen (die Schrauben lassen sich nicht entfernen). Entfernen Sie die Abdeckplatte und bewahren Sie sie an einem Platz auf, an dem Sie sie nicht verlieren.

3. Vergewissern Sie sich, dass der Stromschalter des zu installierenden Netzteils ausgeschaltet ist (●).



VORSICHT: Sie dürfen ein Netzteil auf keinen Fall ein- oder ausbauen, während der Netzschalter eingeschaltet ist (Position I) oder während das Stromkabel in das Netzteil eingesteckt ist. Vergewissern Sie sich zunächst, dass der Netzschalter auf „Aus“ (●) steht und dass das Netzkabel vom W-6000-Netzteilmodul abgezogen wurde.

4. Schieben Sie das Netzteil in das Gehäuse.

Fassen Sie das Netzteil an dem Griff am unteren Rand des Netzteils an, sodass sich die LEDs links und der Netzschalter rechts befinden. Benutzen Sie nicht den Haltebügel für das Netzkabel, um das Netzteil einzusetzen oder zu entfernen. Richten Sie den hinteren Teil des Moduls an den Führungsschienen des Netzteil-Steckplatzes im Gehäuse aus, und schieben Sie das Modul sorgfältig bis zur Rückseite. Üben Sie keine Kraft auf das Modul aus; es sollte größtenteils leicht hineingleiten. Möglicherweise ist ein leichter Widerstand zu spüren, wenn das Netzteil auf die Steckverbindung an der Rückseite des Gehäuses trifft. Drücken Sie fest, bis die Anschlüsse einrasten, Sie sollten dabei aber keine übermäßige Kraft ausüben.

5. Befestigen Sie das Netzteil.

Drehen Sie die unverlierbaren Schrauben im Uhrzeigersinn mit dem Kreuzschlitzschraubendreher fest, bis ein moderater Widerstand zu spüren ist. Ziehen Sie die Schrauben nicht zu fest an.

6. Stecken Sie das Stromkabel in das Netzteil.



HINWEIS: Bewegen Sie den Haltebügel für das Netzkabel nach links, bevor Sie das Netzkabel anschließen.

Stecken Sie ein passendes Stromkabel in die Stromeingangsbuchse. Der Stromanschluss ist für ein Stromkabel mit einem standardmäßigen IEC320-Stecker ausgelegt.

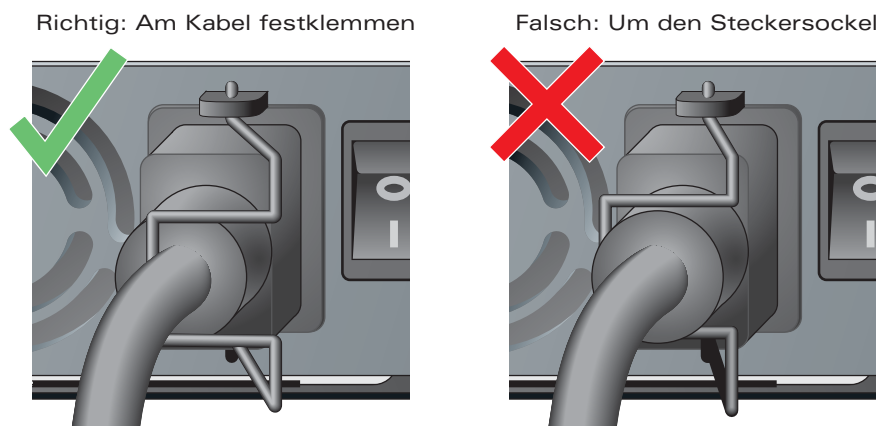


VORSICHT: Für ausreichend Sicherheit und Leistungsfähigkeit muss das Stromkabel eine Leistung von mindestens 10 A haben und der elektrischen Erdungsnorm des Landes entsprechen, in dem das Produkt betrieben wird.

7. Befestigen Sie das Netzkabel.

Wenn das Stromkabel angeschlossen ist, legen Sie den Haltebügel für das Stromkabel nach rechts (siehe [Abbildung 8 auf Seite 28](#)). Dadurch bleibt der Stecker fest sitzen, sodass er nicht versehentlich entfernt werden kann.

Abbildung 8 Sichern des Stromkabels mit dem Haltebügel



8. Stecken Sie das Stromkabel in eine geeignete Steckdose.

Stellen Sie sicher, dass das Stromnetz in Ihrem Gebäude für den Leistungsbedarf des W-6000 ausgelegt ist.

- Jedes Netzteil (HW-PSU-400) hat eine Leistung von insgesamt 400 W und ist automatisch umschaltend, sodass Werte von 85-264 V Wechselstrom bei 50 bis 60 Hz akzeptiert werden.

Abhängig von der Gesamtlast des W-6000 müssen Sie möglicherweise die Kapazität Ihres elektrischen Systems erhöhen. Ausführliche Informationen finden Sie unter „[Stromversorgung](#)“ auf Seite 27.



VORSICHT: Aus Sicherheitsgründen müssen alle Steckdosen und Stecker leicht zugänglich sein, sodass die Stecker bei Bedarf schnell herausgezogen werden können.



HINWEIS: Die Verwendung eines Spannungsreglers oder eines unterbrechungsfreien Netzteils (USV) kann Probleme verringern oder entschärfen, die durch Leistungsschwankungen verursacht werden. Stellen Sie sicher, dass die Ausgabe des Spannungsreglers mit den Netzteilen des W-6000 Controllers kompatibel ist.

Entfernen eines Netzteils



VORSICHT: Viele Reparaturvorgänge können nur von zertifiziertem Fachpersonal ausgeführt werden. Sie sollten nur Schritte zur Fehlerbehebung und einfache Reparaturen ausführen, die in der Produktdokumentation beschrieben sind, oder die Ihnen online oder telefonisch vom Supportteam mitgeteilt werden. Schäden aufgrund von Reparaturarbeiten, die nicht von Dell autorisiert wurden, werden nicht von der Garantie abgedeckt. Lesen und befolgen Sie die Sicherheitsanleitungen, die Sie mit dem Produkt enthalten haben.

1. Vergewissern Sie sich, dass Sie den Vorgang und alle Vorsichtsmaßnahmen verstehen.
Lesen Sie bitte, bevor Sie beginnen, die gesamte Anleitung. Vergewissern Sie sich, dass Sie alle Vorsichtsmaßnahmen in den einzelnen Arbeitsschritten verstehen sowie die auf Seite 10 genannten.
2. Vergewissern Sie sich, dass der Stromschalter des zu entfernenden Netzteils ausgeschaltet ist (Position **○**).



VORSICHT: Sie dürfen ein Netzteil niemals einsetzen oder entfernen, während der Netzschalter eingeschaltet ist (Position **●**). Überprüfen Sie zunächst, ob der Netzschalter ausgeschaltet ist (Position **○**).

3. Ziehen Sie den Stecker des zu entfernenden Netzteils aus der Steckdose.
Wurde der Haltebügel verwendet, legen Sie diesen erst einmal nach links, um den Stecker freizulegen.
Ziehen Sie anschließend den Stecker heraus.
4. Entfernen Sie das Netzteil.
Drehen Sie die unverlierbaren Schrauben mit einem Nr.-2-Kreuzschlitzschraubendreher gegen den Uhrzeigersinn, um sie zu lösen (die Schrauben lassen sich nicht entfernen). Halten Sie den Griff des Netzteils fest und ziehen Sie das Modul vorsichtig aus dem Gehäuse.
5. Setzen Sie Abdeckplatten für leere Steckplätze ein.
Sowohl aus Sicherheitsüberlegungen als auch für einen guten Luftzug zur Kühlung und um zu verhindern, dass Staub in das Gehäuse eindringt, sollten Sie nicht belegte Steckplätze mit einer Abdeckplatte abschließen.

Abmessungen und Gewicht

Tabelle 7 *Physische Spezifikationen*

Merkmale	Maße
Größe	Höhe 14,9 cm Breite 44,2 cm Tiefe 31,8 cm
Gewicht	Maximal 26,5 kg 6,3 kg Gehäuse and Lüftereinschub 4,4 kg je Netzteil

Umgebungsbedingungen

Tabelle 8 *Umgebungsspezifikationen*

Merkmale	Maße
Temperatur	Betrieb: 0 to 40 °C Lagerung: 0 to 50 °C Leichter Alarmzustand: 40 °C Ernsthafter Alarmzustand: 50 °C Kritischer Alarmzustand: 60 °C
Luftfeuchtigkeit	5 bis 95 % (nicht kondensierend)
Meter über Normalnull	Maximal 3.048 m

Betrieb

Tabelle 9 *Betriebsspezifikationen*

Merkmale	Maße
Netzteile	Modell HW-PSU-400— Eingang: 85-264 V Wechselstrom, 50-60 Hz Ausgang: 48 V, 8 A
Stromverbrauch	Maximal 460 W (pro Netzteil)
Netzwerk-Management	HTML-Oberfläche für Internetbrowser
Standards	IEEE 802.1x, IEEE 802.3 10BASE-T, IEEE 802.3u 100BASE-TX, IEEE 802.3ab 1000BASE-T, IEEE 802.3z 1000BASE-SX

Konformität

Funktstörungen

USA

FCC Klasse A

Dieses Gerät wurde getestet und erfüllt die Bedingungen für ein digitales Gerät der Klasse A gemäß Teil 15 der FCC-Bestimmungen. Diese Grenzwerte sind dafür ausgelegt, weitgehenden Schutz gegen schädliche Interferenz zu gewährleisten, wenn das Gerät in einer gewerblichen Umgebung betrieben wird. Dieses Gerät erzeugt und benutzt Hochfrequenzenergie und kann diese auch abstrahlen; es kann möglicherweise schädliche Funkstörungen verursachen, wenn es nicht den Anleitungen im Handbuch entsprechend installiert und verwendet wird. Beim Betrieb des Geräts in Wohngebieten können Störungen auftreten. In diesem Fall muss der Benutzer die Störungen auf eigene Kosten beseitigen.

Durch Änderungen und Modifikationen an diesem Gerät, die nicht ausdrücklich von der für die Konformität zuständigen Partei genehmigt sind, erlischt die Befugnis des Benutzers zum Betreiben des Geräts.

Dieses Produkt erfüllt die Bedingungen von Abschnitt 15 der FCC-Bestimmungen. Der Betrieb unterliegt den folgenden Bedingungen: (1) Dieses Gerät darf keine schädlichen Störungen verursachen, und (2) dieses Gerät muss jegliche Störungen akzeptieren, einschließlich Störungen, die zum unerwünschten Betrieb führen.

Kanada

Dieses digitale Gerät überschreitet nicht die Grenzwerte der Klasse A für Funkstörungsemissionen durch digitale Geräte, die in den Bestimmungen mit dem Titel „Digital Apparatus“, ICES-003 des Department of Communications festgelegt wurden.

Cet appareil numérique respecte les limites de bruits radioélectriques applicables aux appareils numériques de Classe A prescrites dans la norme sur le matériel brouilleur: “Appareils Numériques,” NMB-003 édictée par le ministère des Communications.

Japan

VCCI - Klasse A

この装置は、情報処理装置等電波障害自主規制協議会（VCCI）の基準に基づくクラスA情報技術装置です。この装置を家庭環境で使用すると電波妨害を引き起こすことがあります。この場合には使用者が適切な対策を講ずるよう要求されることがあります。

This device complies with Part 15 of the FCC Rules. Operation is subject to the following two conditions: (1) this device may not cause harmful interference, and (2) this device must accept any interference received, including interference that may cause undesired operation.

This Class A digital apparatus complies with Canadian ICES-003.
Cet appareil numérique de la classe A est conforme à la norme NMB-003 du Canada.

Apparatet må tilkoples jordet stikkontakt.

Laite on liitettävä suojamaadoituskoskettimilla varustettuun pistorasiaan.

この装置は、クラス A 情報技術装置です。この装置を家庭環境で使用すると電波妨害を引き起こすことがあります。この場合には使用者が適切な対策を講ずるよう要求されることがあります。

VCCI-A

Europa



WARNUNG: Dies ist ein Gerät der Klasse A. Dieses Gerät kann im Wohnbereich Funkstörungen verursachen; in diesem Fall kann vom Betreiber verlangt werden, angemessene Maßnahmen zu ergreifen und dafür aufzukommen.

Dieses Gerät erfüllt die Bedingungen der Richtlinien EN55022 Klasse A und EN55024.

Sicherheit

Hinweis zu Lithiumbatterien

Dieses Produkt enthält eine Lithiumbatterie, die nur von geschultem Fachpersonal ausgetauscht werden darf.



VORSICHT: Die Lithiumbatterie kann explodieren, wenn sie nicht fachgerecht ausgetauscht wird. Geschultes Fachpersonal sollte die Batterie durch dieselbe oder eine Batterie vom selben Typ – wie vom Hersteller empfohlen – ersetzt werden. Entsorgen Sie verbrauchte Batterien gemäß der geltenden Bestimmungen und beachten Sie die Anweisungen des Herstellers.

Hinweis zu Lasern

Das in diesem Produkt verwendete Dell PowerConnect W-6000M3 Controller-Modul verwendet an einigen Ports austauschbare Laserempfänger.



VORSICHT: Die Verwendung von Bedienelementen, die Änderung von Einstellungen und die Durchführung von Schritten, die in diesem Handbuch nicht angegeben sind, kann zur Freisetzung gefährlicher Strahlung führen.

Dieses Produkt entspricht 21 CFR Kapitel 1, Unterkapitel J, Teil 1040.10, und IEC 60825-1: 1993, A1: 1997, A2: 2001, IEC 60825-2: 2000.

Zur fortgesetzten Konformität mit den oben genannten Laser-Sicherheitsstandards sollten im Produkt nur zugelassene Module der Klasse 1 von unseren anerkannten Anbietern installiert werden.

Contrôleur Dell PowerConnect W-6000

Guide d'installation



Copyright

© 2011 Aruba Networks, Inc. AirWave®, Aruba Networks®, Aruba Mobility Management System®, et autres marques déposées sont des marques commerciales d'Aruba Networks, Inc. Dell™, le logo DELL™ et PowerConnect™ sont des marques de Dell Inc.

Tous droits réservés. Les spécifications données dans ce manuel sont sujettes à modifications sans préavis.

Conçu aux Etats-Unis. Toutes les autres marques figurant dans ce manuel appartiennent à leurs propriétés respectives.

Code Open Source

Certains produits Aruba incluent des logiciels en code Open Source développés par des tiers, ce qui inclut le code développé dans le cadre d'une licence GPL (GNU General Public License), LGPL (GNU Lesser General Public License) ou toute autre licence Open Source. Le code Open Source utilisé figure sur le site suivant :

http://www.arubanetworks.com/open_source

Mentions légales

L'utilisation des plates-formes de communication et des logiciels d'Aruba Networks, Inc. par des individus ou des entreprises, pour mettre fin à l'exploitation de périphériques clients VPN d'autres fournisseurs manifeste une acceptation complète par cet individu ou cette entreprise des responsabilités associées à cette action, et exonère totalement Aruba Networks, Inc. de toute procédure légale initiée par ces fournisseurs et relative au non respect du droit d'auteur.

Préface	5
Vue d'ensemble du présent manuel.....	5
Documents connexes.....	5
Conventions.....	5
Assistance.....	6
Chapitre 1	Vue d'ensemble du système.....7
Caractéristiques.....	7
Description physique.....	7
Chapitre 2	Installation du châssis.....9
Liste de contrôle de préparation à l'installation.....	9
Précautions.....	10
Configuration requise.....	10
Configuration minimale.....	10
Kit de montage sur rack.....	11
Sélection d'un emplacement.....	11
Montage sur rack du châssis.....	12
Ajout de modules contrôleur W-6000M3.....	14
Branchement de l'alimentation.....	14
Chapitre 3	Vérification de l'installation.....17
Chapitre 4	Module de ventilation.....19
Caractéristiques.....	19
Redondance intégrée.....	19
Remplacement à chaud.....	19
Description physique.....	19
Remplacement d'un module de ventilation.....	21
Préparation du nouveau module de ventilation.....	21
Retrait de l'ancien module de ventilation.....	21
Insertion du nouveau module de ventilation.....	22
Chapitre 5	Dell PowerConnect W-6000M3.....23
Chapitre 6	Module d'alimentation du W-6000.....25
Caractéristiques.....	25
Valeurs nominales.....	25
Partage des charges.....	25
Redondance.....	25
Remplacement à chaud.....	25
Description physique.....	26
Gestion de l'alimentation.....	27
Table de configuration du module W-6000M3 et de l'alimentation.....	27
Insertion d'un module d'alimentation.....	27

	Dépose d'un module d'alimentation	29
Chapitre 7	Spécifications	31
	Spécifications physiques	31
	Environnement	31
	Opérationnel.....	31
	Conformité	32
	Interférences électromagnétiques	32
	États-Unis	32
	Canada	32
	Japon.....	32
	Europe	33
	Sécurité.....	33
	Avis relatif aux batteries au lithium.....	33
	Avis laser	33

Cette préface inclut les informations suivantes :

- Vue d'ensemble des sections du manuel
- Liste des documents connexes
- Clé des différentes conventions utilisées dans le manuel
- Informations sur l'assistance et la maintenance du Dell

Vue d'ensemble du présent manuel

Le présent manuel s'adresse aux techniciens responsables de l'installation du contrôleur W-6000 Dell PowerConnect. Le manuel est organisé de la façon suivante :

- Châssis du contrôleur Dell PowerConnect W-6000
Les chapitres 1, 2 et 3 décrivent le contrôleur W-6000 et fournissent des instructions de montage du châssis, de connexion de l'alimentation et d'exécution des tests initiaux de mise sous tension.
- Modules du contrôleur Dell PowerConnect W-6000M3
Les chapitres 4, 5 et 6 portent sur un spécifique et incluent des instructions d'installation ou de remplacement d'un article.
- Annexe

Documents connexes

Les éléments suivants font partie de la documentation complète du système Dell :

- *Guide d'installation du contrôleur Dell PowerConnect W-6000* (le présent manuel)
- *Dell PowerConnect ArubaOS User Guide*
- *Guide d'installation du Dell PowerConnect W-AP*

Conventions

Les conventions suivantes s'appliquent tout au long de ce manuel pour mettre en avant des concepts importants.

Tableau 1 Conventions

<i>Italiques</i>	Les italiques permettent de mettre en avant des termes importants et signaler les titres de documents.
Éléments système	Cette police à espacement fixe dépeint les éléments suivants : <ul style="list-style-type: none">• Exemple d'écran de sortie• Invites système• Noms de fichier, logiciels et commandes mentionnés dans le texte

Tableau 1 Conventions

Conventions	
Commandes	Dans les exemples de commandes, la police en gras désigne le texte qui doit être entré tel quel par l'utilisateur.
<Arguments>	Dans les exemples de ligne de commande, le texte en italiques et entre crochets représente les éléments que l'utilisateur doit remplacer par des informations en rapport avec sa propre situation. Exemple : <pre># send <message texte></pre> Dans cet exemple, l'utilisateur tape « send » suite à l'invite système et tel qu'indiqué, suivi du message texte dont le contenu est libre. Ne pas taper les chevrons.
[Facultatif]	Dans les exemples de commandes, les éléments placés entre chevrons sont facultatifs. Ne pas taper les crochets.
{ Élément A Élément B }	Dans les exemples de commande, les éléments entre accolades et séparés par une barre verticale représentent les choix disponibles. Vous ne devez entrer que l'un des éléments proposés. Ne tapez pas les accolades ou les barres.

Assistance

Tableau 2 Contacter Dell

Site Web	
Site Web principal	dell.com
Site Web d'assistance	support.dell.com
Site Web de documentation	support.dell.com/manuals

Le contrôleur W-6000 Dell PowerConnect est un châssis modulaire à usage professionnel qui permet de connecter, contrôler et intégrer intelligemment les points d'accès et les modules AM (Air Monitors) dans le réseau sans fil.

Ce chapitre présente le contrôleur W-6000. Il décrit les fonctionnalités générales du système modulaire et illustre les éléments physiques clés. Après vous être familiarisé avec le système, vous pouvez commencer le processus d'installation, couvert dans le chapitre suivant.

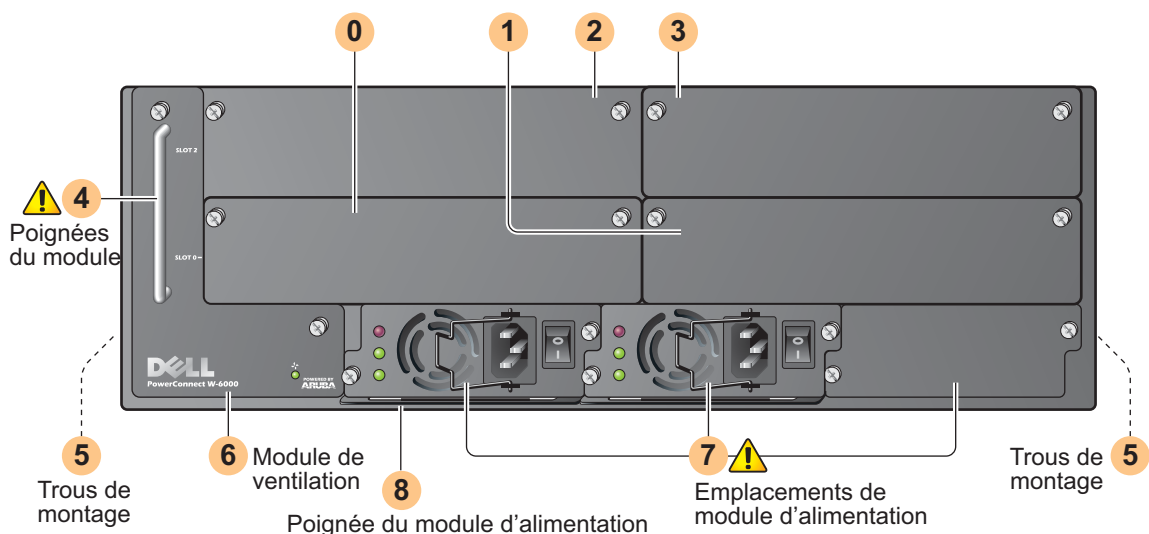
Caractéristiques

Cette section présente les fonctionnalités générales du contrôleur W-6000.

- Commutateur Ethernet 10/100/1000 Mbits/s et 10 Gbits/s avec transfert de paquets ultra-rapide couche 2/3.
- Le traitement ultra-performant des paquets apporte des services à valeur ajoutée, tels que l'équilibrage des charges, la limitation du débit, l'auto-remédiation, l'étalonnage, l'authentification, la mobilité, la sécurité, ainsi que la supervision et la configuration centralisées.
- Le châssis 3U peut être monté sur un rack Telecom ou serveur standard de 48,2 cm (19 po).
- Châssis modulaire comportant plusieurs emplacements qui permettent d'étendre le réseau et assurent la tolérance de pannes.
 - Jusqu'à 4 modules Dell PowerConnect W-6000M3
 - Jusqu'à 3 modules d'alimentation remplaçables à chaud disposant de fonctionnalités de partage des charges afin d'assurer la redondance.
 - Le module de ventilation comporte 3 ventilateurs indépendants, également par souci de redondance.

Description physique

Illustration 1 Contrôleur Dell PowerConnect W-6000



- 0 Emplacement 0 : cet emplacement est destiné au module contrôleur Dell PowerConnect W-6000M3 requis.
- 1 Emplacement 1 : cet emplacement est prévu pour un module W-6000M3 supplémentaire.
- 2 Emplacement 2 : cet emplacement est prévu pour un module W-6000M3 supplémentaire.
- 3 Emplacement 3 : cet emplacement est prévu pour un module W-6000M3 supplémentaire.
- 4 Poignées du module : toutes les poignées de module servent uniquement à enlever et insérer des modules individuels.



ATTENTION : N'utilisez pas les poignées du module pour soulever ou déplacer le châssis du contrôleur W-6000. L'utilisation des poignées pour tenir le châssis risque de provoquer des dommages sérieux sur le module et le châssis.

- 5 Trous de fixation des supports de montage sur rack (sur le côté)
- 6 Module de ventilation : le contrôleur W-6000 est refroidi par de l'air qui circule dans le châssis grâce au module de ventilation. Le module de ventilation fait circuler l'air de droite à gauche (comme indiqué sur la partie avant du châssis) et le fait passer par tous les modules installés.

Pendant le fonctionnement, les prises d'air situées sur la gauche et la droite du châssis ne doivent pas être obstruées par des câbles ou des éléments en cours de montage. Afin d'assurer la circulation de l'air, laissez au moins 10 cm d'espace libre tout autour du châssis.

- 7 Emplacements des modules d'alimentation : le châssis comporte des emplacements permettant d'installer jusqu'à trois modules d'alimentation. Le nombre de modules d'alimentation requis pour votre système dépend du nombre de contrôleur W-6000M3 installés, et des besoins en alimentations redondantes. Voir « [Gestion de l'alimentation](#) » à la page 27 pour plus d'informations.

Chaque module d'alimentation dispose de son propre cordon et commutateur.



ATTENTION : N'essayez pas d'installer ou supprimer un module d'alimentation si son commutateur d'alimentation est en position Marche ou si le cordon d'alimentation est branché. Vérifiez en premier lieu si le commutateur d'alimentation est en position Arrêt et si le cordon est débranché.



ATTENTION : Veillez à vous décharger de toute électricité statique avant de manipuler le contrôleur Dell W-6000 et ses composants.

- 8 Poignée du module d'alimentation : utilisez cette poignée pour retirer ou insérer un module d'alimentation.



ATTENTION : L'installation doit être effectuée par un technicien qualifié.

Ce chapitre couvre les rubriques d'installation suivantes :

- Précautions à observer au cours de l'installation
- Conditions à respecter pour les composants du contrôleur W-6000 et le matériel de montage sur rack
- Sélectionnez d'un environnement correct pour le contrôleur W-6000
- Montage du contrôleur W-6000 sur rack
- Alimentation du contrôleur W-6000

Liste de contrôle de préparation à l'installation

Vous aurez besoin des éléments suivants pendant l'installation :

- Contrôleur Dell PowerConnect W-6000
- Matériel de montage sur rack du contrôleur Dell PowerConnect W-6000 (inclus)
- Tournevis cruciforme
- Rack d'équipement de 48,2 cm (19 pouces), ou équivalent
- Rack 3U avec périmètre libre de 10 cm (4 pouces) tout autour du rack
- Demandez à une autre personne de vous aider à positionner le contrôleur W-6000.
- Un cordon pour chaque module d'alimentation, avec une intensité nominale de 10 A avec un connecteur IEC320.
- Alimentation électrique adéquate (voir « [Gestion de l'alimentation](#) » à la page 27).
- Air frais sans condensation de 0 à 40° C : peut nécessiter un système d'air conditionné
- Terminal de console avec port série RJ-45 ou DB-9
- Câble série RS-232 avec connecteurs mâles RJ-45
- Adaptateur série (inclus) en cas de connexion de la console avec une interface DB-9

Précautions

ATTENTION : Des tensions dangereuses de plus de 240 V c.a. sont présentes en permanence lorsque le module d'alimentation est branché sur le secteur. Enlevez toute bague, tout bijou et autre matériel potentiellement conducteur avant d'intervenir sur ce produit.

N'insérez aucun objet non prévu dans le châssis, le module d'alimentation ou tout autre composant, même si l'alimentation a été mise hors tension, débranchée ou retirée.

Pour isoler le contrôleur W-6000 du secteur, débranchez tous les cordons d'alimentation. Pour des raisons de sécurité, assurez-vous que les prises sont facilement accessibles par l'opérateur.

Ne touchez pas les câbles électriques non isolés. Ceci inclut les câbles réseau.

Afin de réduire les risques liés à l'électricité, tenez l'eau et tout autre fluide à l'écart du produit.



Appliquez les normes de mise à la terre pendant toutes les phases d'installation et d'utilisation du produit. Ne laissez pas le châssis, les ports réseau, les modules d'alimentation ou les supports de montage du contrôleur W-6000 entrer en contact avec un périphérique, un câble, un objet ou une personne relié à un autre circuit de mise à la terre. D'autre part, ne connectez pas le périphérique à un paratonnerre externe.

L'installation ou la dépose du châssis ou de l'un des modules doit se faire dans un environnement sans électricité statique. Il est fortement recommandé d'utiliser un bracelet et un tapis antistatique.

Les modules doivent rester dans leur emballage antistatique tant qu'ils ne sont pas installés dans le châssis.

N'approchez pas ce produit, y compris lors de son envoi ou pendant les périodes de stockage, de champs électromagnétiques, électrostatiques, magnétiques ou radioactifs puissants.

Ne démontez pas le châssis ou l'un des modules. Aucune pièce interne ne peut être remplacée par l'utilisateur. Si une intervention ou une réparation est nécessaire, voir « Assistance » à la page 6.

Configuration requise

Configuration minimale

Un contrôleur Dell PowerConnect W-6000 doit inclure les composants de base suivants :

- Un châssis contrôleur W-6000
- Un module de ventilation
- Un module contrôleur W-6000M3 dans l'emplacement 0 (acheté séparément)
- Au moins deux alimentations de 400 W



REMARQUE : Le nombre d'alimentations requises dépend du nombre de modules de W-6000M3 contrôleur installés dans le châssis (voir « Gestion de l'alimentation » à la page 27).

Le contrôleur W-6000 est livré avec tous les modules d'installation et de ventilation installés. Installez le châssis comme indiqué dans ce chapitre, puis consultez les chapitres suivants de ce manuel pour plus de détails concernant l'installation des différents modules.

Kit de montage sur rack

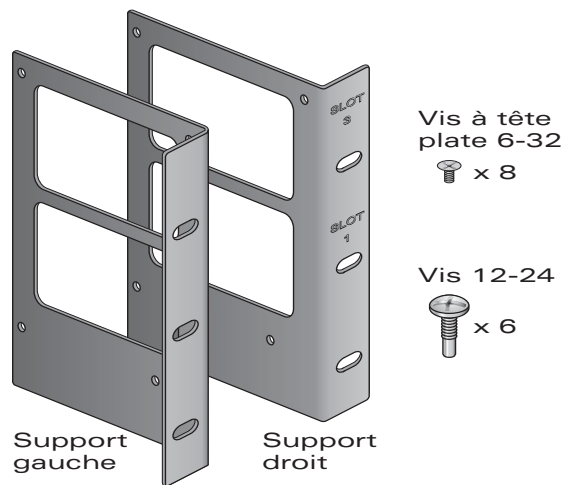
Le kit de montage sur rack permet de monter le contrôleur W-6000 dans un rack d'équipement réseau Telecom standard de 48 cm (19 po). Le kit de montage sur rack contient les éléments suivants :

- Vis cruciformes 6-32 x 1/4 po (6, incluses)
- Vis cruciformes 12-24 x 5/8 po (4, incluses)

En outre, le contrôleur W-6000 peut être installé sur un rack serveur de 48 cm (19 po). L'installation dans un rack serveur nécessite les éléments suivants qui sont inclus en standard :

- Vis cruciformes 6-32 x 1/4 po (6, incluses)
- Vis cruciformes M6 x 20 mm (4, incluses)
- Écrous cage M6 (4, inclus) ou écrous à mâchoire M6 (4, inclus)

Illustration 2 Matériel de montage sur rack (kit Telecom illustré)



REMARQUE : Les six vis 12-24 permettent de fixer le châssis sur le rack. Certains racks nécessitent des vis différentes qui ne sont pas incluses. Assurez-vous que vous disposez de vis ou de fixations adaptées pour votre rack avant de tenter de monter le châssis.

Sélection d'un emplacement

Le contrôleur W-6000, comme tout autre périphérique réseau ou informatique, nécessite un environnement adapté aux composants électroniques.

- Alimentation fiable

Assurez-vous que la sortie électrique est compatible avec l'alimentation du contrôleur W-6000 (HW-PSU-400), dont la puissance nominale cumulée est de 400 W et s'adapte automatiquement aux tensions de 85 à 264 V c.a., de 50 à 60 Hz.

Le cordon d'alimentation doit avoir un courant nominal de 10 A et être conforme aux normes de mise à la terre dans le pays d'utilisation.

L'utilisation d'un conditionneur d'alimentation ou d'un onduleur peut réduire ou atténuer les problèmes liés aux fluctuations du secteur. Assurez-vous que la sortie de tout dispositif de mise en forme du courant est compatible avec l'alimentation du contrôleur W-6000 conformément aux informations fournies ci-dessus.

- Ventilation fraîche, sans condensation

Pour une utilisation correcte, le contrôleur W-6000 nécessite une température ambiante comprise entre 0 et 40° C. L'humidité ne doit pas provoquer de condensation et peut être comprise 5 et 95 %.

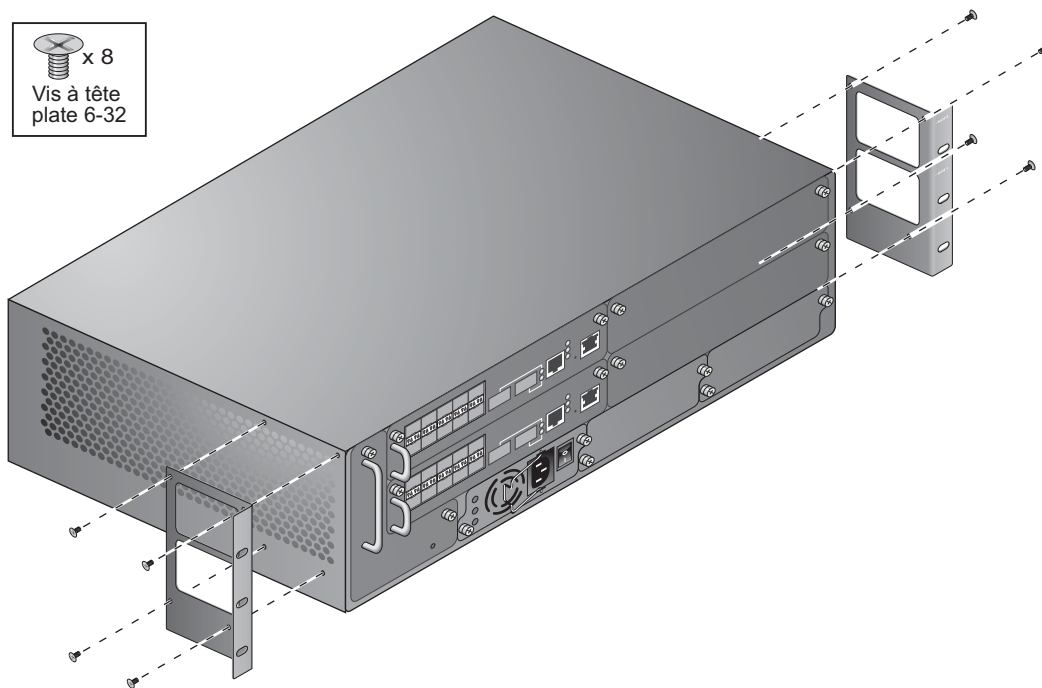
Lorsqu'un grand nombre d'appareils électriques fonctionnent dans le même espace, il peut être nécessaire d'ajouter des équipements de conditionnement de l'air ou de ventilation.

- Espace suffisant
Afin d'assurer la circulation de l'air, prévoyez au moins 10 cm d'espace libre près des aérations, à gauche, à droite, devant et derrière le châssis.
En outre, prévoyez un espace supplémentaire devant le châssis pour accéder facilement aux câbles d'alimentation, câbles réseau et voyants.
- Limitation des interférences électromagnétiques
Afin d'assurer un fonctionnement optimal, tenez le contrôleur W-6000, ainsi que tous ses cordons et câbles à au moins 0,7 mètres des ampoules fluorescentes et au moins 2 mètres des photocopieurs, émetteurs radio, générateurs électriques et autres sources d'interférences électromagnétiques puissantes.

Montage sur rack du châssis

1. Assurez-vous que l'environnement du rack répond à vos critères (voir « [Sélection d'un emplacement](#) » à la page 11).
2. Fixez les supports de montage du rack sur le châssis comme indiqué dans [Illustration 3](#) à la page 12.

Illustration 3 Fixation des supports de montage sur rack



Les supports marqués avec les numéros d'emplacement 1 et 3 sont prévus pour le côté gauche du châssis du contrôleur W-6000. Orientez les deux supports de façon à ce que la partie plate et étroite soit orientée vers l'avant. Les supports doivent être installés de sorte que les parties vides soient placées au-dessus des sorties d'aération et ne gênent pas la circulation d'air frais.

Utilisez un tournevis cruciforme pour fixer les supports avec les vis à tête plate 6-32.

3. Fixez le contrôleur W-6000 sur le rack.



ATTENTION : Afin d'écartier tout risque d'accident ou de dommage matériel, demandez de l'aide pour soulever et positionner le contrôleur W-6000. D'autre part, n'installez pas le contrôleur W-6000 de toute façon susceptible de provoquer une instabilité ou un chargement mécanique inégal.



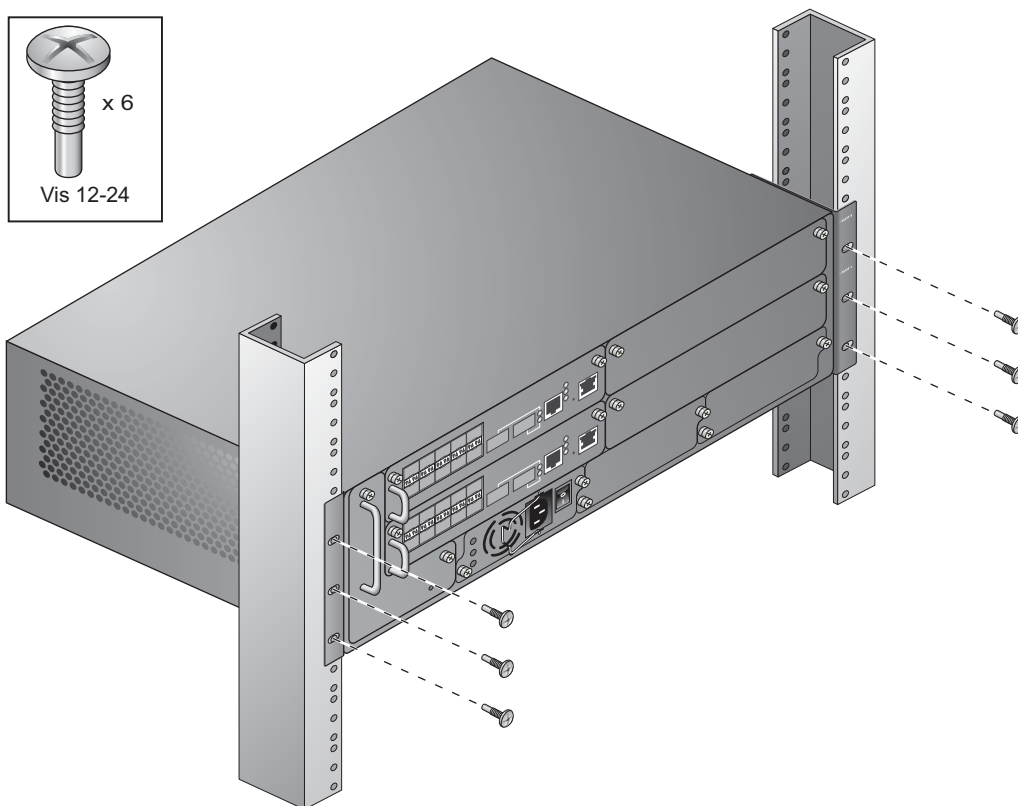
REMARQUE : Pour une utilisation correcte, le contrôleur W-6000 nécessite une température ambiante comprise entre 0 et 40° C. Assurez-vous que l'environnement du rack est conforme.

Si vous installez ce périphérique sur un rack de serveur, installez les écrous cage/clips en premier. Appliquez la procédure suivante pour installer les écrous cage/clips :

- Commencez par insérer le bord inférieur de la cage, mais au-dessus de l'ouverture carrée à l'arrière du rail.
- Insérez la petite extrémité de l'outil d'installation de l'écrou cage dans l'ouverture du rail (depuis l'avant) et accrochez cet outil sur le bord supérieur de l'écrou cage.
- Poussez l'écrou cage vers le rail tout en faisant pivoter l'outil vers le haut et vers vous, jusqu'à ce que le bord supérieur de l'écrou cage se mette en place.
- Poursuivez l'installation standard du contrôleur W-6000.

Placez le châssis sur le rack d'équipements et alignez les trous de montage du support sur ceux du rack.

Illustration 4 Montage du contrôleur W-6000



Utilisez un tournevis cruciforme pour monter le châssis sur le rack avec trois vis 12-24 (rack telecom) ou trois vis M6 x 20mm (rack server) pour chaque support de montage.



REMARQUE : Certaines armoires nécessitent des vis différentes qui ne sont pas incluses. Assurez-vous que vous disposez des vis ou fixations correspondant à votre rack.

Ajout de modules contrôleur W-6000M3

Si vous avez reçu vos modules séparément du châssis, ou souhaitez étendre le système au moyen de modules supplémentaires, consultez les chapitres suivants de ce manuel pour prendre connaissance des instructions d'installation de chaque module.



REMARQUE : L'ajout de module entraîne un accroissement de la charge électrique totale. Selon les modules installés, il peut être nécessaire d'ajouter également des modules d'alimentation sur le châssis et/ou d'augmenter la capacité des systèmes électriques de votre site. Pour plus de détails, voir « [Gestion de l'alimentation](#) » à la page 27.

Branchement de l'alimentation



ATTENTION : Cette procédure doit être effectuée par un technicien qualifié.

1. Assurez-vous que vous comprenez la procédure et toutes les précautions associées.
Avant de commencer, lisez l'ensemble de la procédure. Assurez-vous que vous comprenez toutes les précautions liées à cette procédure, ainsi que celle figurant dans la section page 10.
2. Assurez-vous que les modules d'alimentation installés sont capables de gérer la charge électrique.
Le nombre d'alimentations requises pour votre contrôleur W-6000 dépend du nombre de modules de contrôleur W-6000M3 installés. Voir « [Gestion de l'alimentation](#) » à la page 27 pour plus de détails.
3. Vérifiez au préalable que les systèmes électriques de votre site sont en mesure de gérer la charge électrique du contrôleur W-6000.
 - La puissance nominale de l'alimentation des contrôleur W-6000 (HW-PSU-400) est de 400 W et s'adapte automatique de 85 à 264 V c.a., et de 50 à 60 Hz.Selon la charge d'alimentation totale, il peut être nécessaire d'augmenter la capacité des systèmes électriques de votre site. Voir « [Gestion de l'alimentation](#) » à la page 27 pour plus de détails.



REMARQUE : L'utilisation d'un conditionneur d'alimentation ou d'un onduleur peut réduire ou atténuer les problèmes liés aux fluctuations du courant. Assurez-vous que la sortie de tout dispositif de mise en forme du courant est compatible avec l'alimentation du contrôleur W-6000 conformément aux informations fournies ci-dessus.

4. Assurez-vous que le commutateur d'alimentation de l'alimentation est en position Arrêt (○).



ATTENTION : Ne connectez pas de cordon d'alimentation sur une alimentation dont le commutateur d'alimentation est en position Marche (I). Assurez-vous que le commutateur d'alimentation est en position arrêt (○) en premier lieu.

5. Branchez le cordon d'alimentation sur le secteur.
Branchez le cordon d'alimentation sur le secteur. Le connecteur permet de connecter tout cordon disposant d'une prise IEC320.



ATTENTION : Afin d'assurer la sécurité et de bonnes performances, le cordon d'alimentation doit avoir une valeur nominale de 10 A et être conforme aux normes de mise à la terre dans le pays d'utilisation.



REMARQUE : L'alimentation de 400 W (HW-PSU-400) inclut une pince de fixation du cordon. Lorsque le cordon d'alimentation est connecté, la pince permet de retenir le cordon et éviter les débranchements accidentels (voir [Illustration 8](#) à la page 28).

6. Branchez le cordon d'alimentation sur une prise électrique.



ATTENTION : Pour des raisons de sécurité, assurez-vous que les prises sont à portée de la main et peuvent être débranchées rapidement si nécessaire.

Répétez les étapes 4, 5 et 6 ci-dessus pour chaque alimentation installée.

Une fois l'alimentation connectée, vous pouvez procéder au test de mise sous tension, voir page 17.

Lorsque l'installation physique du contrôleur W-6000 est terminée. Exécutez les tests suivants de mise sous tension :

1. Mettez sous tension tous les modules d'alimentation, les uns après les autres et aussi rapidement que possible. Sur chaque module d'alimentation, placez le commutateur d'alimentation en position marche (I).



REMARQUE : Afin de ne pas surcharger les premiers modules d'alimentation, l'ensemble des modules doivent être mis sous tension en moins de trois secondes environ.

2. Vérifiez les voyants d'alimentation.

Dès la mise sous tension, vérifiez les points suivants :

- Tous les voyants C.A. et C.C. sont verts fixes.
- Le voyant d'état du module de ventilation est vert fixe et vous devez sentir un flux d'air considérable au niveau des événements du châssis au niveau des trois ventilateurs.

3. Vérifiez le bon fonctionnement des voyants.

Une fois le système démarré avec succès, vérifiez les points suivants :

- Tous les voyants C.A. et C.C. du module d'alimentation sont verts fixes.
- Le voyant d'état du module de ventilation est bien vert fixe.



REMARQUE : Pour plus d'informations sur le comportement des voyants, consultez les chapitres se rapportant aux différents modules.

4. Lorsque les tests initiaux de mise sous tension du système sont réussis :
 - Connectez les câbles réseau requis.
5. Vous êtes désormais prêt à procéder à la configuration initiale comme indiqué dans le *Guide de prise en main d'Aruba* (inclus dans le kit d'accessoires) du logiciel chargé sur votre contrôleur .

Le module de ventilation du contrôleur Dell PowerConnect W-6000 (HW-FT) assure la circulation d'air des modules du W-6000M3 du châssis du contrôleur Dell PowerConnect W-6000 et est indispensable au fonctionnement normal de cette unité. La température de fonctionnement normal du châssis du contrôleur W-6000 est comprise entre 0 et 40° C. Si cette plage de températures est dépassée, le W-6000 renvoie un avertissement. Le tableau suivant décrit ces alarmes et leur seuil de déclenchement :

Tableau 3 *Seuils de température*

Gravité de l'alarme	Seuil
Mineure	40° C
Majeure	50° C
Critique	60° C

Le présent chapitre décrit les caractéristiques générales du module de ventilation et fournit des instructions de remplacement du module si nécessaire.

Caractéristiques

Redondance intégrée

Trois ventilateurs sont prévus dans le module de ventilation. Ce module est conçu pour assurer le refroidissement de l'unité, même si l'un des ventilateurs tombe en panne. Deux ventilateurs suffisent pour assurer la circulation d'air et le refroidissement jusqu'au remplacement du module de ventilation.

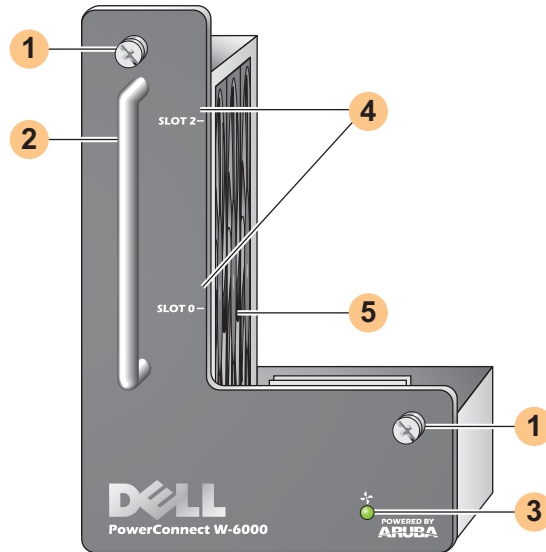
Remplacement à chaud

Le remplacement à chaud doit être effectué par un technicien qualifié. Le remplacement à chaud permet de remplacer le module de ventilation sans avoir à arrêter le système. Pendant l'opération de remplacement, le châssis reste fonctionnel sans les ventilateurs. Toutefois, la procédure de remplacement doit être réalisée en moins d'une minute afin d'éviter tout risque.

Description physique

L'emplacement du module de ventilation est situé sur le côté gauche du châssis du contrôleur W-6000 et s'étend de l'avant du châssis vers l'arrière.

Illustration 5 Module de ventilation Dell série contrôleur W-6000



- 1 Vis de fixation du module : ces vis captives servent à sécuriser le module dans le module de ventilation du châssis.
- 2 Poignée du module : cette poignée permet de retirer ou insérer le module dans le châssis.



ATTENTION : N'utilisez pas la poignée du module de ventilation pour soulever ou déplacer le contrôleur W-6000. Sinon, vous risquez d'endommager gravement le matériel.

- 3 Voyant d'état du ventilateur : en cours de fonctionnement, le voyant d'état du ventilateur fournit les informations suivantes :

Tableau 4 Comportement du voyant du module de ventilation

Statut	Description
Éteint	Le module de ventilation ne fonctionne pas.
Vert	Le module de ventilation est alimenté et les trois ventilateurs fonctionnent normalement.
Orange	Un ventilateur est en panne, mais les deux autres assurent une ventilation adéquate jusqu'au remplacement du module.
Rouge	Deux ou plusieurs ventilateurs sont en panne. Remplacez le module de ventilation immédiatement.



REMARQUE : L'état du module de ventilation et la température du châssis peuvent être vérifiés non seulement avec les voyants, mais également au moyen de l'interface de contrôle.

- 4 Étiquettes d'emplacement : lorsque le module de ventilation est installé dans le contrôleur W-6000, ces étiquettes identifient les emplacements de module situés immédiatement à droite du module de ventilation (voir [Illustration 1 à la page 7](#)).
- 5 Ventilateurs (sur le côté) : trois ventilateurs indépendants assurent la redondance du refroidissement des cartes contrôleur W-6000.

Remplacement d'un module de ventilation



ATTENTION : La plupart des réparations doivent être effectuées uniquement par un technicien certifié. Vous ne devez entreprendre que les procédures de dépannage et de réparation simples qui sont autorisées dans la documentation du produit, ou comme indiqué par les services d'assistance en ligne ou téléphoniques. Tout dommage lié à des réparations non autorisées par Dell n'est pas couvert par votre garantie. Consultez et appliquez les procédures de sécurité accompagnant le produit.

En cas de remplacement à chaud du module de ventilation, il est impératif de prendre en compte les limites de temps propres à cette procédure. Afin d'assurer une préparation correcte, consultez toutes les étapes de la procédure avant de tenter de procéder au remplacement.

Assurez-vous également que vous comprenez toutes les précautions liées à cette procédure, ainsi que celle figurant dans la section page 10.

Préparation du nouveau module de ventilation

1. Déballez le nouveau module de ventilation.
2. Inspectez le nouveau module de ventilation pour vous assurer qu'il n'est pas endommagé.
3. Placez le nouveau module de ventilation en lieu sûr. Assurez-vous qu'il est placé près du châssis et est prêt pour une inspection rapide.
4. Utilisez un tournevis cruciforme de taille 2.

Retrait de l'ancien module de ventilation

1. Desserrez les vis de fixation du module de refroidissement.
Sur la partie avant du contrôleur W-6000, utilisez le tournevis pour desserrer les deux vis de fixation de la plaque avant du module de ventilation installé. Les vis doivent être desserrées dans le sens anti-horaire, mais sont captives et ne peuvent pas être enlevées totalement.
2. Désengagez le module de ventilation.
Tenez fermement la poignée du module et tirez le module de ventilation vers l'avant de son emplacement. Vous pouvez sentir une légère résistance pendant la déconnexion du châssis du fond de panier. Veillez cependant à ne pas exercer une traction excessive.
Lorsque le module est totalement déconnecté du fond de panier, les ventilateurs ne sont plus alimentés et s'arrêtent graduellement.

ATTENTION : Les ventilateurs continuent à tourner quelques instants, alors qu'ils ne sont plus alimentés. Attendez qu'ils soient totalement arrêtés avant de retirer le module de ventilation.



D'autre part, pendant le remplacement à chaud, et une fois que les ventilateurs sont arrêtés, le contrôleur W-6000 continue de fonctionner, mais la température commence à monter dans les composants fonctionnels. À ce stade, la fenêtre d'installation est limitée à une minute.

La limite de une minute doit être respectée, car le contrôleur W-6000 ne dispose pas de circuit capable d'arrêter le fonctionnement en cas de surchauffe. Si vous ne pouvez pas remplacer le ventilateur pendant la fenêtre de une minute, arrêtez le contrôleur .

3. Une fois libéré, le module de ventilation devrait pouvoir glisser librement. Enlevez totalement le module de ventilation et posez-le sur une surface stable.

Insertion du nouveau module de ventilation

1. Prenez le nouveau module de ventilation par la poignée fournie à cet effet sur sa partie avant.
2. Insérez avec précautions le module de ventilation dans l'emplacement prévu à cet effet dans le châssis.
Alignez l'arrière du module de ventilation sur les rails de guidage du châssis et faites-le glisser doucement vers le fond de panier. Le module doit s'insérer sans résistance sur la majeure partie de son trajet.
3. Engagez le module de ventilation.
Lorsque le module de ventilation atteint l'arrière du châssis, vous devez sentir une légère résistance. Appuyez fermement sur les connecteurs à l'arrière du module pour les engager sur le panneau arrière. Ne forcez pas la connexion.
Une fois le module de ventilation remplacé à chaud et les connecteurs correctement engagés, les ventilateurs sont alimentés et commencent à tourner.
4. Assurez-vous que tous les ventilateurs fonctionnent correctement.
Une fois le module de ventilation alimenté normalement, que ce soit en engageant le module sur le fond de panier lors d'un remplacement à chaud ou en remettant le système sous tension après une intervention classique, le voyant d'état des ventilateurs doit être vert et vous devez sentir un courant d'air significatif provenant des ouvertures du châssis à chaque emplacement de ventilateur.
Si les ventilateurs fonctionnent tous, la partie critique de la procédure de remplacement à chaud est terminée.
Si l'un des ventilateurs d'un module nouvellement installé ne fonctionne pas (voyant Ventilateur jaune), attendez au moins trois minutes avant d'effectuer une nouvelle tentative de remplacement à chaud pour prévenir tout risque de surchauffe.



ATTENTION : Si au moins deux des ventilateurs du nouveau module de remplacement à chaud ne fonctionnent pas (le voyant d'état du ventilateur est rouge), arrêtez le contrôleur W-6000, remplacez le module de ventilation, puis laissez refroidir le contrôleur W-6000 pendant au moins cinq minutes avant de le remettre en marche.

5. Fixez le module de ventilation.
Utilisez un tournevis pour pousser et serrer les deux vis de fixation sur la plaque avant du module de ventilation que vous venez de remplacer. Faites tourner les vis dans le sens horaire jusqu'à ce que vous sentiez une légère résistance, ne forcez pas les vis.

Le Dell PowerConnect W-6000M3 est un module contrôleur de remplacement à chaud à utiliser avec un contrôleur W-6000 à châssis. Le châssis du contrôleur W-6000 permet d'installer quatre modules, pouvant être configurés en mode maître ou local. Pour plus de détails concernant le W-6000M3, ce qui inclut les instructions d'installation, ainsi que les options de compatibilité et de configuration, consultez le Guide d'installation du *Dell PowerConnect W-6000M3*. Pour plus de détails sur la gestion de l'alimentation, consultez la section « [Gestion de l'alimentation](#) » à la page 27.

Chaque module de contrôleur W-6000M3 permet de prendre en charge jusqu'à 512 points d'accès connectés en campus et disposant de licences de mise à niveau du point d'accès Dell. Contactez votre conseiller commercial Dell pour obtenir la liste complète des licences disponibles.

Pour plus d'informations sur l'installation et l'exploitation du module W-6000M3 contrôleur Dell PowerConnect, consultez le Guide d'installation du module *Dell PowerConnect W-6000M3 Contrôleur* qui est inclus avec chaque modèle.

Le module d'alimentation du contrôleur W-6000 Dell PowerConnect permet d'alimenter le contrôleur W-6000. Le châssis du W-6000 comporte trois emplacements qui permettent d'installer des modules d'alimentation individuels afin d'assurer le partage des charges et la tolérance de panne.

Ce chapitre décrit les caractéristiques générales et physiques du module d'alimentation et apporte des informations importantes concernant la consommation électrique. Les sections finales de ce chapitre couvrent les étapes requises pour insérer et retirer les câbles d'alimentation.

Caractéristiques

Valeurs nominales

La puissance nominale de l'alimentation du Dell W-6000 (HW-PSU-400) est de 400 W et s'adapte automatiquement de 85 à 264 V c.a., et de 50 à 60 Hz. Il est possible d'installer jusqu'à trois alimentations de 400 W dans le contrôleur W-6000.

Partage des charges

Le partage des charges consiste à installer plusieurs modules d'alimentation de même valeur nominale dans le contrôleur W-6000 et à les activer. Le partage des charges répartit la charge totale du W-6000 entre tous les modules d'alimentation connectés. Dans la mesure où ces modules fonctionnent conjointement, la puissance réelle du châssis augmente proportionnellement au nombre de modules d'alimentation.

Redondance

Si plusieurs modules d'alimentation sont installés et si l'un d'entre eux tombe en panne ou est arrêté, les modules restants continuent d'alimenter le contrôleur W-6000. Tant que la charge totale du périphérique ne dépasse pas la puissance nominale des modules opérationnels restants, le W-6000 reste fonctionnel. Pour plus d'informations sur les configurations d'alimentation, voir « [Gestion de l'alimentation](#) » à la page 27.

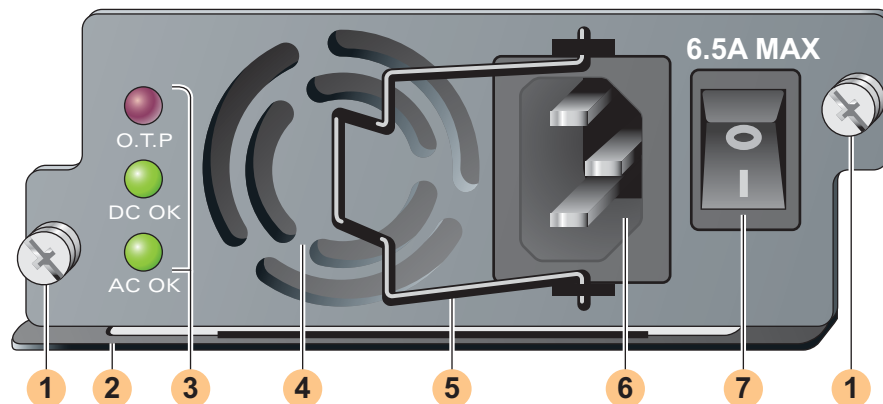
Remplacement à chaud

Le remplacement à chaud doit être effectué par un technicien qualifié. Le remplacement à chaud permet de remplacer l'un des modules d'alimentation défectueux pendant que les autres alimentent l'appareil normalement. Il est ainsi inutile d'arrêter le contrôleur W-6000 pendant la procédure de remplacement.

Le remplacement à chaud ne peut s'effectuer si après avoir retiré le module d'alimentation concerné, la charge totale du châssis ne dépasse pas la puissance nominale des alimentations restantes.

Description physique

Illustration 6 Alimentation de 400 W



- 1 Vis de fixation du module : ces deux vis captives assurent la fixation de l'alimentation sur le châssis.
- 2 Poignée du module : cette poignée permet de retirer ou insérer le module dans le châssis du W-6000.



ATTENTION : N'utilisez pas la poignée du module d'alimentation pour soulever ou déplacer le contrôleur W-6000. Sinon, vous risquez d'endommager gravement le matériel.

- 3 Voyants

Tableau 5 Voyants d'alimentation 400 W

Nom du voyant	Position	Statut	Description
Protection contre les surchauffes	Haut	Éteint	La température de l'alimentation est dans les normes.
		Rouge	Le ventilateur de l'alimentation est en passe ou la température est trop élevée.
C.c. OK	Milieu	Vert	La sortie en courant continu est dans les normes.
		Rouge	La sortie en courant continu est hors normes.
C.a. OK	Bas	Vert	L'entrée en c.a. est dans les normes.
		Rouge	L'entrée en c.a. est hors normes.



REMARQUE : L'état de l'alimentation peut être identifié non seulement par les voyants, mais encore au moyen de l'interface de commande.

- 4 Prise d'air : cette prise d'air permet au ventilateur interne de refroidir l'alimentation pendant le fonctionnement de l'appareil. Afin d'éviter tout blocage, veillez à ménager un espace vide dans un périmètre de 10 cm par rapport aux ouvertures de ventilation.
- 5 Pince de fixation du cordon d'alimentation : cette pince tient le cordon d'alimentation une fois la prise branchée sur le secteur. Elle empêche le retrait accidentel du cordon.



ATTENTION : N'utilisez pas la pince de fixation du cordon d'alimentation pour enlever le module d'alimentation ou pour soulever ou déplacer le W-6000.

- 6 Prise d'alimentation ; cette prise permet de brancher les cordons d'alimentation standard disposant d'un connecteur IEC320. Afin d'assurer la sécurité et de bonnes performances, le cordon doit avoir une valeur nominale de 10 A et être conforme aux normes de mise à la terre dans le pays d'utilisation.
- 7 Commutateur d'alimentation : ce bouton a deux états, Marche (●) et Arrêt (|).

Gestion de l'alimentation

Le contrôleur W-6000 permet de brancher jusqu'à trois alimentations de 400 W. Si vous utilisez une ou deux alimentations primaires pour assurer une puissance cumulée de 400 à 800 W, il est possible de compléter l'installation par un module redondant de 400 W.

Afin d'optimiser la capacité, additionnez la puissance requise pour l'ensemble des modules de votre châssis afin de déterminer le nombre de modules d'alimentation nécessaires.

Table de configuration du module W-6000M3 et de l'alimentation

La table suivante affiche les configurations du module W-6000M3, ainsi que les configurations d'alimentation résultantes et la puissance disponible.

Tableau 6 Configurations de l'alimentation et des modules

Module	Nombre d'unités			
Module Contrôleur W-6000M3 (130 W max. de puissance par module)	1	2	3	4
Puissance totale consommée (W)	130	260	390	520
Nombre requis d'alimentations	1	1	1	2
Nombre redondant d'alimentations	1 ou 2	1 ou 2	1 ou 2	1

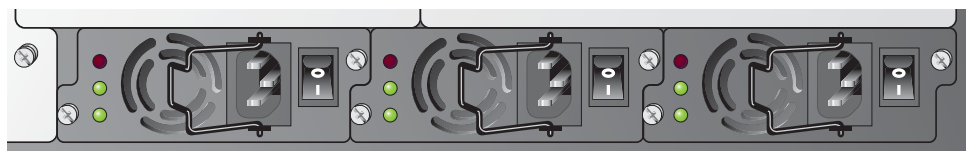
Insertion d'un module d'alimentation



ATTENTION : La plupart des réparations doivent être effectuées uniquement par un technicien certifié. Vous ne devez entreprendre que les procédures de dépannage et de réparation simples qui sont autorisées dans la documentation du produit, ou comme indiqué par les services d'assistance en ligne ou téléphoniques. Tout dommage lié à des réparations non autorisées par Dell n'est pas couvert par votre garantie. Consultez et appliquez les procédures de sécurité accompagnant le produit.

1. Assurez-vous que vous comprenez la procédure et toutes les précautions associées.
Avant de commencer, lisez l'ensemble de la procédure. Assurez-vous que vous comprenez toutes les précautions liées à cette procédure, ainsi que celle figurant dans la section page 10.
2. Sélectionnez un emplacement pour le module d'alimentation.
 - L'alimentation de 400 W (HW-PSU-400) peut être installée dans n'importe quel emplacement et des emplacements peuvent rester vides. Il n'y a pas d'ordre imposé d'installation des modules d'alimentation.

Illustration 7 Alimentations de 400 W installées



En cas de remplacement d'un module d'alimentation, voir en premier lieu « [Dépose d'un module d'alimentation](#) » à la page 29.

Si vous installez une alimentation dans un emplacement vide, il est nécessaire de déposer la plaque de protection en premier. Pour ce faire utilisez un tournevis cruciforme. Faites tourner les vis captives de la plaque de protection dans le sens anti-horaire pour les débloquer (elles ne s'enlèvent pas). Enlevez la plaque de protection et placez-la en lieu sûr.

3. Assurez-vous que le commutateur d'alimentation du module à installer est en position Arrêt (●).



ATTENTION : N'essayez pas d'installer ou supprimer un module d'alimentation si son commutateur d'alimentation est en position Marche (I) ou si le cordon d'alimentation est branché sur le module d'alimentation. Assurez-vous que le commutateur d'alimentation est en position Arrêt (●) et que le cordon est débranché du module d'alimentation du W-6000.

4. Insérez le module d'alimentation dans son châssis.

Tenez le module d'alimentation par la poignée située sur le fond du module. Les voyants doivent être orientés vers la gauche et le commutateur d'alimentation vers la droite. N'utilisez pas la pince de fixation du cordon d'alimentation pour insérer ou retirer le module d'alimentation. Alignez l'arrière du module sur les rails de guidage de l'emplacement d'alimentation du châssis et faites glisser doucement le module vers le fond de panier. Ne forcez pas le module, il doit glisser librement sur la majeure partie du mouvement. Vous pouvez sentir une légère résistance lorsque le module d'alimentation atteint ses connecteurs à l'arrière du châssis. Appuyez fermement pour engager les connecteurs, mais sans forcer.

5. Fixez l'alimentation.

Utilisez le tournevis pour pousser les vis captives du module et les faire tourner dans le sens horaire jusqu'à ce qu'une légère résistance se fasse sentir. Ne forcez pas le serrage.

6. Branchez le cordon d'alimentation sur le secteur.



REMARQUE : Déplacez la pince de fixation du cordon vers la gauche avant de le connecter.

Branchez le cordon d'alimentation sur le secteur. Le connecteur permet de connecter tout cordon disposant d'une prise IEC320.

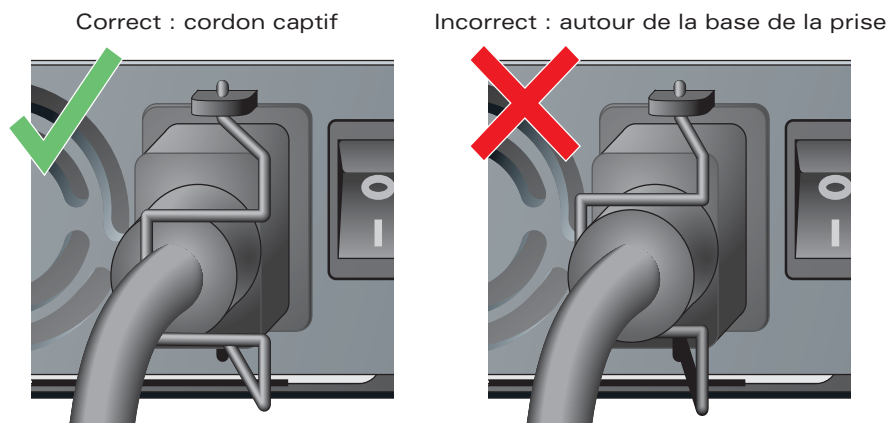


ATTENTION : Afin d'assurer la sécurité et de bonnes performances, le cordon d'alimentation doit avoir une valeur nominale de 10 A et être conforme aux normes de mise à la terre dans le pays d'utilisation.

7. Fixez le cordon d'alimentation.

Lorsque le cordon d'alimentation est fixé, déplacez sa pince de fixation vers la droite, comme indiqué dans l'[Illustration 8 à la page 28](#) Ceci permet de maintenir la prise en place et évite son débranchement accidentel.

Illustration 8 Utilisation de la pince de fixation du cordon d'alimentation



8. Branchez le cordon d'alimentation sur une prise électrique.

Vérifiez au préalable que les systèmes électriques de votre site sont en mesure de gérer la charge électrique pour le W-6000.

- La puissance nominale de l'alimentation (HW-PSU-400) est de 400 W et s'adapte automatiquement de 85 à 264 V c.a., et de 50 à 60 Hz.

Selon la charge d'alimentation totale du W-6000, il peut être nécessaire d'augmenter la capacité des systèmes électriques de votre site. Voir « [Gestion de l'alimentation](#) » à la page 27 pour plus de détails.



ATTENTION : Pour des raisons de sécurité, assurez-vous que les prises sont à portée de la main et peuvent être débranchées rapidement si nécessaire.



REMARQUE : L'utilisation d'un conditionneur d'alimentation ou d'un onduleur peut réduire ou atténuer les problèmes liés aux fluctuations du courant. Assurez-vous que la sortie des dispositifs de mise en forme du courant est compatible avec l'alimentation du contrôleur W-6000.

Dépose d'un module d'alimentation



ATTENTION : La plupart des réparations doivent être effectuées uniquement par un technicien certifié. Vous ne devez entreprendre que les procédures de dépannage et de réparation simples qui sont autorisées dans la documentation du produit, ou comme indiqué par les services d'assistance en ligne ou téléphoniques. Tout dommage lié à des réparations non autorisées par Dell n'est pas couvert par votre garantie. Consultez et appliquez les procédures de sécurité accompagnant le produit.

1. Assurez-vous que vous comprenez la procédure et toutes les précautions associées.

Avant de commencer, lisez l'ensemble de la procédure. Assurez-vous que vous comprenez toutes les précautions liées à cette procédure, ainsi que celle figurant à la page 10.

2. Assurez-vous que le commutateur d'alimentation de l'alimentation à déposer est en position Arrêt (●).



ATTENTION : N'insérez ou n'enlevez pas l'alimentation lorsque son commutateur est en position marche (I). Assurez-vous que le commutateur d'alimentation est en position arrêt (●) en premier lieu.

3. Débranchez l'alimentation à enlever.

Si vous utilisez la pince de fixation du cordon d'alimentation, déplacez-la vers la gauche pour ne pas obstruer la prise. Enlevez la prise.

4. Enlevez l'alimentation.

Utilisez un tournevis cruciforme pour faire tourner les vis captives de l'alimentation dans le sens anti-horaire afin de les desserrer (elles ne peuvent pas être complètement enlevées). Tenez fermement la poignée du module d'alimentation et retirez avec précautions le module du châssis.

5. Couvrez les emplacements vides.

Pour des raisons de sécurité, ainsi que pour favoriser la circulation d'air pour le refroidissement et empêcher la poussière de pénétrer dans le châssis, couvrez les emplacements vides avec une plaque d'obturation.

Spécifications physiques

Tableau 7 *Spécifications physiques*

Élément	Mesure
Taille	Hauteur 14,9 cm Largeur 44,2 cm Profondeur 31,8 cm
Poids	26,5 Kg maximum 6,3 Kg châssis et module de ventilation 4,4 Kg chaque module d'alimentation

Environnement

Tableau 8 *Spécifications environnementales*

Élément	Mesure
Température	Fonctionnement : 0 à 40 °C Stockage : 0 à 50 °C Alarme mineure : 40 °C Alarme majeure : 50 °C Alarme critique : 60 °C
Humidité	5 à 95 % (sans condensation)
Altitude	3 048 m, maximum

Opérationnel

Tableau 9 *Spécifications opérationnelles*

Élément	Mesure
Alimentation	Modèle HW-PSU-400— Entrée : 85 à 264 V c.a., 50 à 60 Hz Sortie : 48 V, 8 A
Consommation d'énergie	460 W (par alimentation), maximum
Gestion du réseau	Interface de type navigateur avec code HTML
Normes	IEEE 802.1x, IEEE 802.3 10BASE-T, IEEE 802.3u 100BASE-TX, IEEE 802.3ab 1000BASE-T, IEEE 802.3z 1000BASE-SX

Conformité

Interférences électromagnétiques

États-Unis

Périphérique de Classe A selon la FCC

Cet équipement a été testé et déclaré conforme aux limites définies pour un périphérique numérique de classe A, conformément à la section 15 des règles de la FCC. Ces limites sont conçues pour assurer une protection raisonnable contre les interférences nuisibles lorsque l'équipement est utilisé dans un environnement commercial. Cet équipement génère, utilise et peut diffuser de l'énergie sous forme de fréquences radio et, s'il n'est pas utilisé conformément au manuel d'instructions, peut provoquer des interférences lors des communications radio. L'utilisation de cet équipement dans une zone résidentielle risque de provoquer des interférences nuisibles, auquel cas l'utilisateur doit éliminer les interférences à ses frais.

Toute modification effectuée sur cet équipement sans l'autorisation expresse de la partie responsable de la conformité est susceptible d'annuler son droit d'utilisation.

Le présent produit est conforme à la section 15 des règles de la FCC. L'utilisation de ce dispositif est autorisée seulement aux conditions suivantes : (1) ce périphérique ne doit pas provoquer d'interférences nuisibles, et (2) ce périphérique doit résister aux interférences reçues, y compris celles qui sont susceptibles de provoquer un fonctionnement non désiré.

Canada

This digital apparatus does not exceed the Class A limits for radio noise emissions from digital apparatus as set out in the interference-causing equipment standard entitled "Digital Apparatus," ICES-003 of the Department of Communications.

Cet appareil numérique respecte les limites de bruits radioélectriques applicables aux appareils numériques de Classe A prescrites dans la norme sur le matériel brouilleur : « Appareils Numériques », NMB-003 édictée par le ministère des Communications.

Japon

VCCI - Classe A

この装置は、情報処理装置等電波障害自主規制協議会（VCCI）の基準に基づくクラスA情報技術装置です。この装置を家庭環境で使用すると電波妨害を引き起こすことがあります。この場合には使用者が適切な対策を講ずるよう要求されることがあります。

This device complies with Part 15 of the FCC Rules. Operation is subject to the following two conditions: (1) this device may not cause harmful interference, and (2) this device must accept any interference received, including interference that may cause undesired operation.

This Class A digital apparatus complies with Canadian ICES-003.
Cet appareil numérique de la classe A est conforme à la norme NMB-003 du Canada.

Apparatet må tilkoples jordet stikkontakt.

Laite on liitettävä suojamaadoituskoskettimilla varustettuun pistorasiaan.

この装置は、クラス A 情報技術装置です。この装置を家庭環境で使用すると電波妨害を引き起こすことがあります。この場合には使用者が適切な対策を講ずるよう要求されることがあります。

VCCI-A

Europe



AVERTISSEMENT : Produit de classe A. Dans un environnement domestique, ce produit peut provoquer des interférences radio, auquel cas l'utilisateur doit prendre un certain nombre de mesures.

Ce produit est conforme aux normes EN55022 Classe A et EN55024.

Sécurité

Avis relatif aux batteries au lithium

Le présent produit contient une batterie au lithium qui ne peut être remplacée que par un technicien qualifié.



ATTENTION : La batterie au lithium risque d'exploser si elle n'est pas remplacée correctement. Cette batterie doit être remplacée par une batterie du même type ou équivalente et recommandée par le fabricant. Cette opération nécessite un technicien qualifié. Mettez les batteries au rebut conformément aux instructions.

Avis laser

Le module Dell PowerConnect W-6000M3 Contrôleur utilisé avec ce produit a recours à des modules émetteurs/récepteurs laser sur certains ports.



ATTENTION : L'application de commandes ou de réglages de performances ou de procédures qui ne sont pas spécifiées dans ce manuel risque d'entraîner une exposition à des rayonnements dangereux.

Ce produit est conforme aux normes 21 CFR, chapitre 1, alinéa J, référence 1040.10 et IEC 60825-1: 1993, A1: 1997, A2: 2001, IEC 60825-2: 2000.

Pour assurer la pérennité de la conformité aux normes de sécurité laser ci-dessus, seuls les modules agréés de classe 1 provenant de nos fournisseurs agréés doivent être installés sur le produit.

Controlador Dell PowerConnect W-6000

Guía de instalación



Copyright

© 2011 Aruba Networks, Inc. AirWave®, Aruba Networks®, Aruba Mobility Management System®, y otras marcas comerciales son marcas comerciales de Aruba Networks, Inc. Dell™, el logotipo DELL™ y PowerConnect™ son marcas registradas de Dell Inc.

Todos los derechos reservados. Las especificaciones incluidas en este manual pueden cambiar sin previo aviso.

Creado en Estados Unidos. El resto de marcas comerciales que aparecen en este manual pertenecen a sus respectivas empresas.

Código Open Source

Algunos productos de Aruba incluyen software Open Source desarrollado por otros fabricantes, incluido código de software sujeto a las licencias GNU GPL, GNU LGPL o a otras licencias Open Source. El código Open Source utilizado se puede encontrar en este sitio:

http://www.arubanetworks.com/open_source

Aviso legal

El uso de las plataformas de conexión y de software de Aruba Networks, Inc., por toda persona o empresa, para terminar otros dispositivos de cliente VPN\q de otros proveedores constituye la total aceptación de responsabilidad por parte del individuo o empresa por la acción realizada y excluye por completo a Aruba Networks, Inc. del coste de cualquier acción legal emprendida en contra relacionada con la violación del copyright en representación de dichos proveedores.

Prólogo	5
Descripción general de este manual	5
Documentos relacionados.....	5
Convenciones de texto	5
Contacto de soporte	6
Capítulo 1	Descripción general del sistema..... 7
Funciones.....	7
Descripción física.....	7
Capítulo 2	Instalación del chasis..... 9
Lista de comprobación de la pre-instalación	9
Precauciones	10
Requisitos	10
Configuración mínima.....	10
Kit de montaje en rack.....	11
Selección de una ubicación.....	11
Montaje en rack del chasis	12
Incorporación de módulos controlador W-6000M3.....	14
Conexión de la alimentación	14
Capítulo 3	Verificación de la instalación..... 17
Capítulo 4	La bandeja de ventilación 19
Funciones.....	19
Redundancia integrada	19
Cambio en caliente.....	19
Descripción física.....	19
Sustitución de una bandeja de ventilación.....	21
Preparación de la nueva bandeja de ventilación	21
Extracción de la bandeja de ventilación antigua.....	21
Inserción de la nueva bandeja de ventilación	22
Capítulo 5	Dell PowerConnect W-6000M3 23
Capítulo 6	El módulo de fuente de alimentación del W-6000 25
Funciones.....	25
Calificación.....	25
Compartición de cargas.....	25
Redundancia	25
Cambio en caliente.....	25
Descripción física.....	26
Gestión de energía	27
Módulo W-6000M3 y tabla de configuración de fuentes de alimentación.....	27
Inserción de una fuente de alimentación.....	27

	Extracción de una fuente de alimentación	29
Capítulo 7	Especificaciones	31
	Físicas.....	31
	Medioambientales.....	31
	Operativas.....	31
	Cumplimiento.....	32
	Interferencias electromagnéticas.....	32
	Estados Unidos	32
	Canadá	32
	Japón.....	32
	Europa	33
	Seguridad.....	33
	Aviso sobre pilas de litio	33
	Aviso sobre el láser	33

Este prólogo incluye la siguiente información:

- Una descripción general de las secciones de este manual.
- Una lista con la documentación adicional relacionada y recomendada.
- Información clave sobre diversas convenciones de texto empleadas en este manual.
- Información de soporte y servicio de Dell

Descripción general de este manual

Este manual está redactado para técnicos con formación responsables de instalar el del controlador Dell PowerConnect W-6000. El manual está organizado del modo siguiente:

- El chasis del controlador Dell PowerConnect W-6000
Los capítulos 1, 2 y 3 describen el controlador W-6000 y proporcionan instrucciones para montar el chasis, conectar la unidad y realizar pruebas de encendido iniciales.
- Los módulos del controlador Dell PowerConnect W-6000M3
Los capítulos 4, 5 y 6 se centran en un módulo específico y contienen instrucciones para instalar o sustituir un elemento individual.
- Apéndice.

Documentos relacionados

Los siguientes elementos forman parte de la documentación completa del sistema Dell:

- *Guía de instalación del controlador Dell PowerConnect W-6000* (este manual)
- *Guía del usuario de Dell PowerConnect ArubaOS*
- *Guía de instalación de Dell PowerConnect W-AP*

Convenciones de texto

En este manual se emplean las siguientes convenciones de texto para resaltar conceptos importantes:

Tabla 1 *Convenciones de texto*

<i>Cursiva</i>	Este estilo se utiliza para resaltar términos importantes y para indicar los títulos de los manuales.
Elementos del sistema	Esta fuente de ancho fijo describe lo siguiente: <ul style="list-style-type: none">• Salida de pantalla de muestra• Mensajes del sistema• Nombres de archivo, dispositivos de software y determinados comandos mencionados en el texto

Tabla 1 Convenciones de texto

Comandos	
Comandos	En los ejemplos de comandos, esta fuente en negrita describe texto que el usuario debe introducir exactamente como se muestra.
<Argumentos>	En los ejemplos de comandos, el texto en cursiva con corchetes angulares representa elementos que el usuario debe reemplazar por la información correspondiente para la situación específica. Por ejemplo: <pre># send <mensaje de texto></pre> En este ejemplo, el usuario debería escribir "send" en la ventana de símbolo del sistema, seguido del mensaje de texto que quiera enviar. No escriba los corchetes angulares.
[Opcional]	En los ejemplos de comandos, los elementos entre corchetes son opcionales. No escriba los corchetes.
{ Elemento A Elemento B }	En los ejemplos de comandos, los elementos entre llaves y separados por una barra vertical representan las opciones disponibles. Introduzca una sola opción. No escriba las barras ni las llaves.

Contacto de soporte

Tabla 2 Información de contacto de Dell

Sitio web	
Sitio web principal	dell.com
Sitio web de soporte	support.dell.com
Sitio web de la documentación	support.dell.com/manuals

El controlador Dell PowerConnect W-6000 es un chasis modular empresarial que conecta, controla e integra inalámbricamente y de forma inteligente puntos de acceso y monitores aéreos en la LAN de cable.

En este capítulo se presenta el controlador W-6000. Describe las funciones generales del sistema modular e ilustra los elementos físicos más importantes. Cuando se haya familiarizado con el sistema, podrá iniciar el proceso de instalación que se trata en el capítulo siguiente.

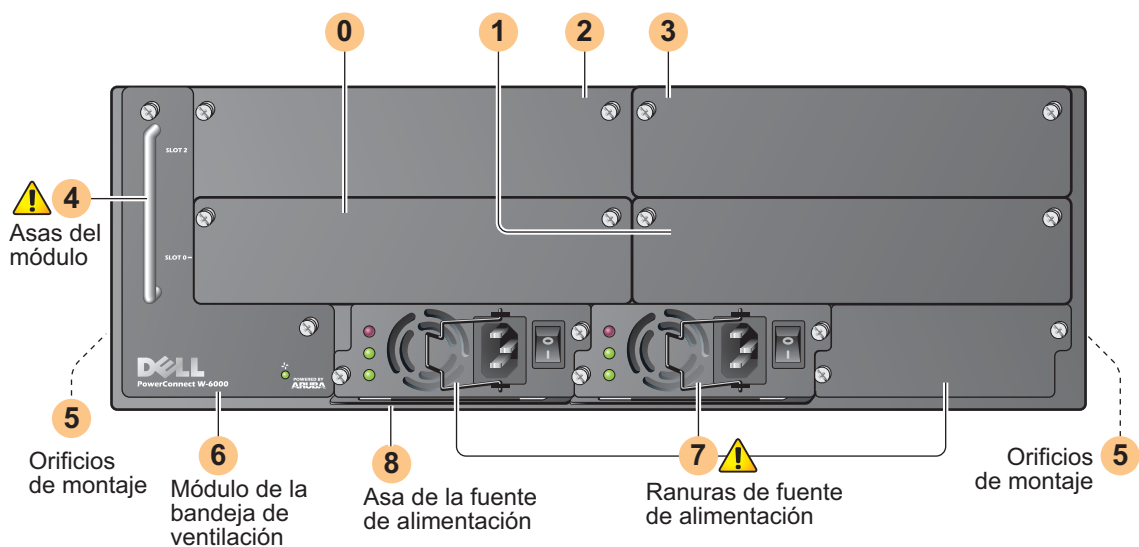
Funciones

En esta sección se abordan las funciones generales del controlador W-6000.

- Switch Ethernet 10/100/1000 Mbps y 10 Gbps con reenvío de paquetes de capa-2/capa-3 de alta velocidad.
- El procesamiento de paquetes de alto rendimiento permite ofrecer servicios inalámbricos con valor añadido, como equilibrio de cargas, limitación de velocidad, autorreparación, calibración, autenticación, movilidad, seguridad, y supervisión y configuración centralizada.
- El chasis 3U se puede montar en un rack Telecom estándar de 19 pulgadas o en un rack de servidor.
- El chasis modular con ranuras permite ampliar la red y la tolerancia frente a fallos.
 - Hasta cuatro módulos Dell PowerConnect W-6000M3
 - Hasta 3 fuentes de alimentación con cambio en caliente y compartición de cargas para redundancia
 - Bandeja de ventilación con tres ventiladores para redundancia

Descripción física

Figura 1 Controlador Dell PowerConnect W-6000



- 0 Ranura 0: esta ranura está pensada para el módulo del controlador Dell PowerConnect W-6000M3.
- 1 Ranura 1: esta ranura está pensada para un módulo del W-6000M3 adicional.
- 2 Ranura 2: esta ranura está pensada para un módulo del W-6000M3 adicional.

- 3 Ranura 3: esta ranura está pensada para un módulo del W-6000M3 adicional.
- 4 Asas del módulo: todas las asas del módulo se utilizan solamente para extraer e insertar los distintos módulos.



PRECAUCIÓN: no utilice nunca las asas de los módulos para levantar o mover el chasis del controlador W-6000. Si utiliza las asas para levantar el chasis podría averiar tanto el módulo como el chasis.

- 5 Orificios para soportes de montaje en rack (lateral)
- 6 Módulo de bandeja de ventilación: el controlador W-6000 se ventila con el aire que entra en el chasis por la bandeja de ventilación. La bandeja de ventilación tira del aire de derecha a izquierda (visto desde la parte frontal del chasis) y lo mueve por los módulos instalados.

Durante el funcionamiento, la ventilación de la derecha y de la izquierda del chasis debe estar libre de cables y otros equipos. Para una correcta circulación del aire, deje al menos 10 cm de espacio a la izquierda y a la derecha del chasis.

- 7 Ranuras de fuente de alimentación: el chasis tiene ranuras para conectar hasta tres fuentes de alimentación. El número de fuentes de alimentación necesarias para el sistema depende del número de módulos de del controlador Dell PowerConnect W-6000M3 haya instalado y si quiere incluir fuentes de alimentación redundantes. Consulte la [“Gestión de energía” en la página 27](#) para obtener más información.

Cada fuente de alimentación tiene su propio cable e interruptor.



PRECAUCIÓN: no inserte ni quite nunca una fuente de alimentación con el interruptor en la posición de encendido o si el cable de alimentación está enchufado. Verifique primero que el interruptor está en la posición de apagado y que el cable está desenchufado.



PRECAUCIÓN: no olvide las precauciones correspondiente sobre descargas electrostáticas cuando maneje el controlador Dell W-6000 y sus componentes.

- 8 Asa de la fuente de alimentación: utilice esta asa para extraer o insertar una fuente de alimentación.



PRECAUCIÓN: la instalación debe ser realizada por un técnico con formación.

Este capítulo trata los siguientes temas sobre la instalación:

- Precauciones que deben tomarse durante la instalación
- Requisitos para los componentes del controlador W-6000 y herramientas para montaje en rack
- Selección de un entorno adecuado para el controlador W-6000
- Montaje del controlador W-6000 en rack
- Conexión de alimentación al controlador W-6000

Lista de comprobación de la pre-instalación

Necesitará lo siguiente durante la instalación:

- Controlador Dell PowerConnect W-6000
- Herramientas de montaje en rack para controlador Dell PowerConnect W-6000 (incluido)
- Destornillador Phillips o de estrella
- Rack para equipos de 19 pulgadas o equivalente
- Espacio rack 3U con 10 cm de espacio a la izquierda, derecha, parte frontal y parte posterior del rack
- Otra persona deberá ayudarle a colocar el controlador W-6000.
- Un cable de alimentación para cada fuente de alimentación con intensidad mínima de 10 A con conector IEC320
- Fuentes de alimentación y potencia eléctrica adecuadas (consulte [“Gestión de energía” en la página 27](#))
- Aire fresco sin condensación entre 0 y 40 °C: tal vez sea necesario aire acondicionado
- Terminal del consola con puerto serie RJ-45 o DB-9
- Cable serie RS-232 con conectores RJ-45 macho
- Adaptador serie (incluido) si se conecta a la consola con DB-9

Precauciones

PRECAUCIÓN: siempre existe el riesgo de voltaje excesivo y peligroso de 240 V CA cuando el módulo de fuente de alimentación está enchufado a la corriente eléctrica. Quítese anillos, joyas y otros objetos potencialmente conductores de electricidad antes de trabajar con este producto.

No inserte nunca objetos extraños en el chasis, la fuente de alimentación o cualquier otro componente, incluso con la fuente de alimentación apagada, desenchufada o desconectada.

La fuente principal se desconecta por completo del controlador W-6000 desenchufando todos los cables de las fuentes de alimentación instaladas de las tomas de corriente. Por seguridad, verifique que el acceso a las tomas y a los enchufes es posible para los operarios.

No manipule cables eléctricos si no están aislados. Esto incluye también los cables de red.

Para reducir los riesgos eléctricos, mantenga el agua y otros fluidos alejados del producto.



Cumpla la normativa de conexión a tierra en todas las fases de la instalación y funcionamiento del producto. No deje que el chasis del controlador W-6000, los puertos de red, las fuentes de alimentación o los soportes de montajes entren en contacto con cualquier dispositivo, cable, objeto o persona conectada a otra toma de tierra diferente. Asimismo, no conecte nunca el dispositivo a fuentes de toma de tierra para tormentas de exterior.

La instalación o extracción del chasis o de cualquier otro módulo solo se puede llevar a cabo en un entorno sin electrostática. Se recomienda encarecidamente utilizar correctamente las gamuzas y tiras anti-electrostáticas.

Los módulos deben conservarse en un entorno anti-electrostático cuando no estén instalados en el chasis.

No envíe/almacene este producto cerca de campos intensos electromagnéticas, electrostáticos, magnéticos o radiactivos.

No desmonte el chasis ni otros módulos. No tienen piezas internas que puedan interesar al usuario. Si fuera necesario realizar un servicio o una reparación, consulte [“Contacto de soporte” en la página 6](#).

Requisitos

Configuración mínima

Un controlador Dell PowerConnect W-6000 debe incluir los siguientes componentes básicos:

- Un chasis de controlador W-6000
- Una bandeja de ventilación
- Un módulo de controlador W-6000M3 en la ranura 0 (se vende por separado)
- Al menos dos fuentes de alimentación de 400 W



NOTA: el número de fuentes de alimentación necesarias depende del número de módulos del controlador W-6000M3 instalados en el chasis (consulte [“Gestión de energía” en la página 27](#)).

El controlador W-6000 se envía con todas las fuentes de alimentación y módulos de bandeja de ventilación instalados. Instale el chasis tal y como se describe en este capítulo y, a continuación, consulte los siguientes capítulos de este manual para obtener instrucciones sobre la instalación de cada módulo adicional.

Kit de montaje en rack

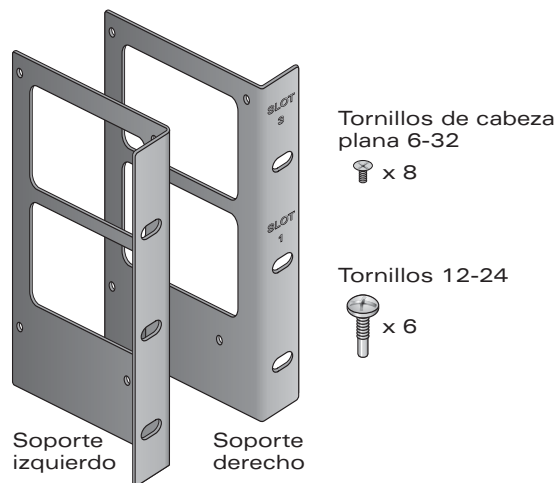
Con ayuda del kit de montaje en rack incluido, el controlador W-6000 se puede montar en un rack de equipos de red Telecom estándar de 19 pulgadas. El kit de montaje en rack contiene lo siguiente:

- Tornillos de estrella 6-32 x 1/4" (6, incluidos)
- Tornillos de estrella 12-24 x 5/8" (4, incluidos)

Además, el controlador W-6000 se puede instalar en un rack de servidor de 19 pulgadas. La instalación en un rack de servidor requiere lo siguiente:

- Tornillos de estrella 6-32 x 1/4" (6, incluidos)
- Tornillos de estrella M6 x 20 mm (4, incluidos)
- Tuerca cuadrada M6 (4, incluidas) o clips cuadrados M6 (4, incluidos)

Figura 2 Herramientas para montaje en rack (se muestra kit Telecom)



NOTA: los seis tornillos 12-24 son para fijar el chasis al rack. Algunos racks requieren distintos tornillos que pueden no estar incluidos. Compruebe que dispone de los tornillos correctos para su rack antes de intentar montar el chasis.

Selección de una ubicación

El controlador W-6000, al igual que otros dispositivos de red y de informática, requiere un entorno “pensado para la electrónica”.

- Alimentación fiable

Compruebe que la toma de corriente es compatible con la fuente de alimentación del controlador W-6000 (HW-PSU-400), con una potencia 400 W total y rango automático para aceptar de 85 a 264 V CA, a 50-60 Hz.

Los cables de alimentación deben ser para 10 A y ajustarse a la normativa eléctrica de conexión a tierra vigente en el país en que se utilice el producto.

Utilice un suministrador de línea o una fuente de alimentación ininterrumpida (UPS) para reducir o mitigar los problemas provocados por las fluctuaciones del servicio. Verifique que la salida de todos los dispositivos de alimentación es compatible con las fuentes de alimentación del controlador W-6000 según la información suministrada anteriormente.

- Ventilación fresca, sin condensación

Para un funcionamiento óptimo, el controlador W-6000 requiere un entorno a temperatura ambiente entre 0 y 40 °C. La humedad debe mantenerse en niveles de ausencia de condensación entre el 5 y el 95%.

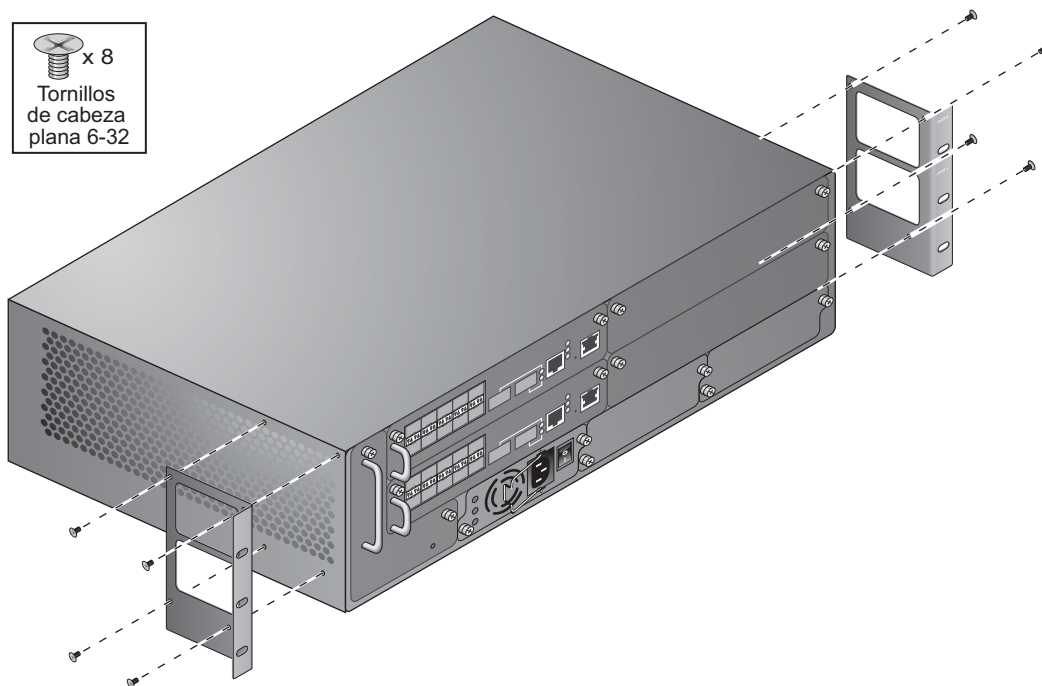
Si hay un gran número de dispositivos eléctricos activos en la misma zona, deberá colocar aparatos de aire acondicionado o circuladores de aire.

- **Espacio amplio**
Para que el aire circule bien, deje al menos 10 cm de espacio para que pueda ventilar la parte izquierda, derecha, frontal y posterior del chasis.
Deje más espacio en la parte frontal del chasis para poder acceder a los cables de alimentación, cables de red e indicadores LED.
- **Interferencia electromagnética limitada**
Para obtener el mejor funcionamiento, mantenga el controlador W-6000 y todos los cables al menos a 0,7 metros de iluminación fluorescente, y a 2 metros de fotocopiadoras, transmisores de radio, generadores eléctricos y otras fuentes con fuerte interferencia electromagnética.

Montaje en rack del chasis

1. Verifique que el entorno del rack cumple los requisitos (consulte [“Selección de una ubicación” en la página 11](#)).
2. Fije los soportes de montaje del rack al chasis, tal como se muestra en la [Figura 3 en la página 12](#).

Figura 3 Fijación de los soportes de montaje del rack



El soporte marcado con los números de ranura 1 y 3 es para el lado derecho del chasis del controlador W-6000. Oriente ambos soportes de modo que el borde estrecho quede mirando al frente. Cuando los soportes están bien colocados, los espacios rectangulares grandes quedan sobre la ventilación lateral para permitir un flujo de aire correcto durante el funcionamiento.

Utilice un destornillador Phillips o de estrella para fijar cada soporte con cuatro tornillos 6-32 de cabeza plana (incluidos).

3. Fije el controlador W-6000 al rack.



PRECAUCIÓN: para evitar daños personales o averías en el equipo, pida ayuda para levantar y colocar el controlador W-6000. Asimismo, no instale el controlador W-6000 en ningún lugar inestable o donde pueda producirse desequilibrio de cargas.



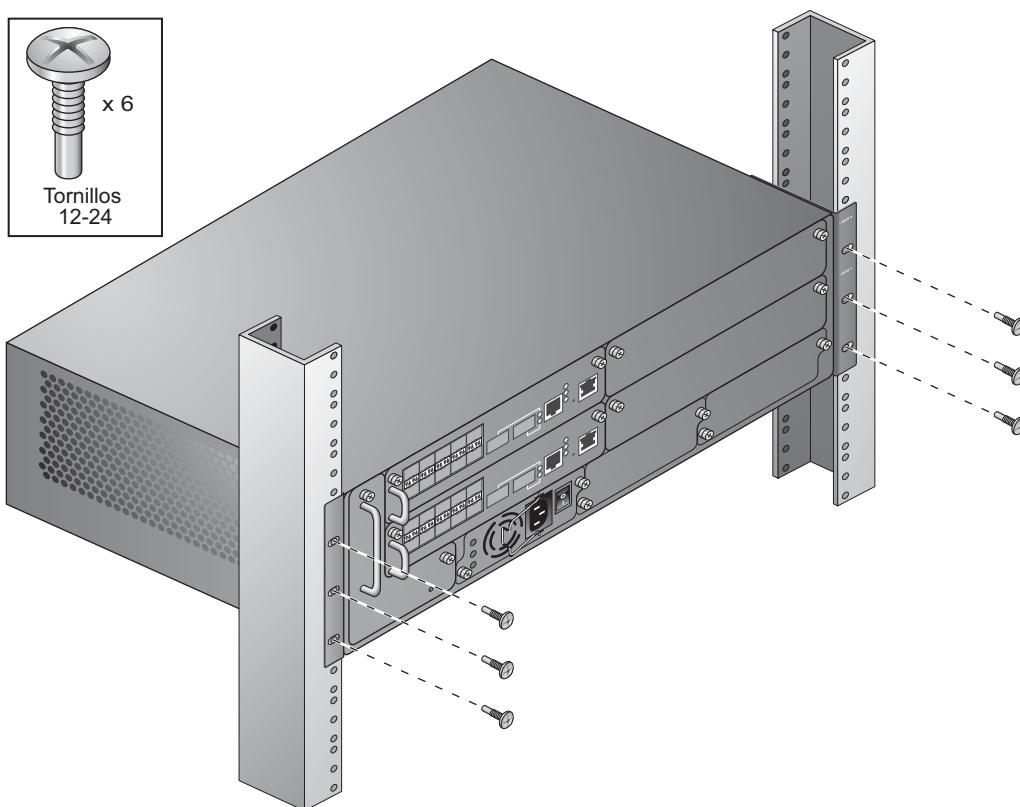
NOTA: para un funcionamiento óptimo, el controlador W-6000 requiere una temperatura ambiente entre 0 y 40 °C. Verifique que su entorno del rack cumple estos requisitos.

Si va a instalar este dispositivo en un rack de servidor, debe instalar primero las tuercas cuadradas y de clip. Instale las tuercas cuadradas y de clip según los pasos siguientes:

- Empiece a insertar el saliente inferior de la jaula por encima de la apertura cuadrada de la parte posterior del raíl.
- Inserte el extremo pequeño de la herramienta de instalación de tuercas cuadradas por la abertura del raíl (desde delante) y enganche la herramienta en el saliente superior de la tuerca cuadrada.
- Empuje la tuerca cuadrada en el raíl mientras gira la herramienta hacia arriba y tira de ella hasta que note que el saliente superior de la tuerca cuadrada encaja en su posición.
- Continúe con la instalación del controlador W-6000 normalmente.

Coloque el chasis en el rack del equipo y alinee los orificios de montaje de los soportes con los orificios correspondientes del bastidor del rack.

Figura 4 Montaje del controlador W-6000



Utilice un destornillador Phillips o de estrella para fijar el chasis al rack con tres tornillos 12-24 (para rack Telecom) o con tres tornillos M6 x 20mm (para rack de servidor) para cada soporte de montaje.



NOTA: algunos armarios requieren distintos tornillos que pueden no estar incluidos. Verifique que utiliza los tornillos o fijadores adecuados para su rack.

Incorporación de módulos controlador W-6000M3

Si ha recibido los módulos y el chasis en envíos distintos, o si quiere ampliar el sistema con módulos adicionales, consulte los siguientes capítulos de este manual para obtener instrucciones concretas sobre la instalación de cada módulo.



NOTA: añadir módulos implica aumentar la carga total de alimentación. En función de los módulos instalados, es posible que necesite añadir fuentes de alimentación al chasis o aumentar la capacidad de los sistemas eléctricos. Para obtener más información, consulte [“Gestión de energía” en la página 27](#).

Conexión de la alimentación



PRECAUCIÓN: este procedimiento debe ser realizado por un técnico con formación.

1. Verifique que comprende el procedimiento y todas las precauciones que deben tomarse.
Antes de empezar, lea todo el procedimiento. Verifique que comprende todas las precauciones que deben tomarse en estos pasos, así como las descritas en la página 10.
2. Verifique que las fuentes de alimentación instaladas pueden gestionar la carga eléctrica.
El número de fuentes de alimentación necesarias para el controlador W-6000 depende del número de módulos del controlador W-6000M3 instalados. Consulte [“Gestión de energía” en la página 27](#) para obtener más información.
3. Verifique que los sistemas eléctricos pueden gestionar la carga eléctrica del controlador W-6000.
 - Cada fuente de alimentación del controlador W-6000 (HW-PSU-400) tiene una potencia de 400 W total y rango automático para aceptar de 85 a 264 V CA, a 50-60 Hz.
En función de la carga eléctrica total, es posible que deba reducir la capacidad de los sistemas eléctricos. Consulte [“Gestión de energía” en la página 27](#) para obtener más información.



NOTA: utilice un suministrador de línea o una fuente de alimentación ininterrumpida (UPS) para reducir o mitigar los problemas provocados por las fluctuaciones del servicio. Verifique que la salida de todos los dispositivos de alimentación es compatible con las fuentes de alimentación del controlador W-6000 según la información suministrada anteriormente.

4. Verifique que el interruptor de alimentación de la fuente de alimentación está en la posición de apagado (●).



PRECAUCIÓN: nunca conecte un cable de alimentación a una fuente de alimentación si el interruptor está en la posición de encendido (I). Verifique primero que el interruptor de alimentación está en la posición de apagado (●).

5. Conecte el cable de alimentación a la fuente de alimentación.
Enchufe el cable de alimentación adecuado a la toma de corriente. El socket acepta un cable de alimentación con toma IEC320 estándar.



PRECAUCIÓN: por seguridad y un funcionamiento correcto, el cable de alimentación debe ser para 10 A y ajustarse a la normativa eléctrica de conexión a tierra vigente en el país en que se utilice el producto.



NOTA: la fuente de alimentación de 400 W (HW-PSU-400) incluye un clip de sujeción del cable de alimentación. Cuando se conecta el cable de alimentación, el clip se puede usar para colocar el cable y evitar que se pueda tirar de él accidentalmente (consulte la [Figura 8 en la página 29](#)).

6. Conecte el cable de alimentación a una toma de corriente adecuada.



PRECAUCIÓN: por seguridad, verifique que se puede acceder fácilmente a las tomas de corriente y a los enchufes, y que es posible desconectarlos rápidamente si fuera necesario.

Repita los pasos 4, 5 y 6 anteriores para cada fuente de alimentación instalada.

Una vez conectada la alimentación, puede llevar a cabo una prueba de encendido (consulte la página 17).

Una vez finalizada la instalación física del controlador W-6000, lleve a cabo la siguiente prueba de encendido:

1. Encienda todas las fuentes de alimentación instaladas rápidamente una detrás de otra.

En cada fuente de alimentación, ponga el interruptor de alimentación en la posición de encendido (I).



NOTA: para evitar que se sobrecarguen las primeras fuentes de alimentación conectadas, todas las fuentes de alimentación deben estar encendidas aproximadamente el mismo tiempo (unos tres segundos).

2. Compruebe los indicadores de alimentación correspondientes.

Inmediatamente después del primer encendido, debe observar lo siguiente:

- Todos los LED AC OK y DC OK de la fuente de alimentación quedan fijos en verde.
- El LED de estado del ventilador de la bandeja de ventilación está fijo en verde y puede notar un flujo de aire importante en la ventilación del chasis en cada una de las tres posiciones del ventilador.

3. Compruebe los indicadores de funcionamiento correspondientes.

Una vez iniciado correctamente el sistema, debería ver lo siguiente:

- Los LED AC OK y DC OK de la fuente de alimentación siguen fijos en verde.
- El LED de estado del ventilador de la bandeja de ventilación sigue fijo en verde.



NOTA: para obtener más información sobre el comportamiento de los LED, consulte los capítulos correspondientes de los módulos específicos.

4. Si el sistema ha pasado la prueba de encendido inicial:

- Conecte los cables de red adecuados.

5. Ya está listo para llevar a cabo la configuración inicial, tal como se describe en la *Guía de inicio rápido de Aruba* (incluida en el kit de accesorios) del software cargado en el controlador.

La bandeja de ventilación del controlador Dell PowerConnect W-6000 (HW-FT) permite la circulación del aire para enfriar los módulos del W-6000M3 en el controlador Dell PowerConnect W-6000 y es necesaria para un funcionamiento correcto. La temperatura normal de funcionamiento del chasis del controlador W-6000 oscila entre 0 y 40 °C. Si se supera esta temperatura, el W-6000 activará una advertencia en el programa para alertar a los usuarios. En la siguiente tabla se describen las alarmas y sus umbrales:

Tabla 3 *Umbrales de temperatura*

Gravedad de la alarma	Umbral
Menor	40 °C
Mayor	50 °C
Crítica	60 °C

En este capítulo se describen las funciones generales y las características físicas de la bandeja de ventilación, así como instrucciones para sustituir el módulo si fuera necesario.

Funciones

Redundancia integrada

La bandeja de ventilación contiene tres ventiladores. El módulo está diseñado para enfriar incluso si falla un ventilador. Los dos ventiladores activos restantes proporcionarán el flujo de aire necesario para enfriar hasta que se pueda sustituir la bandeja.

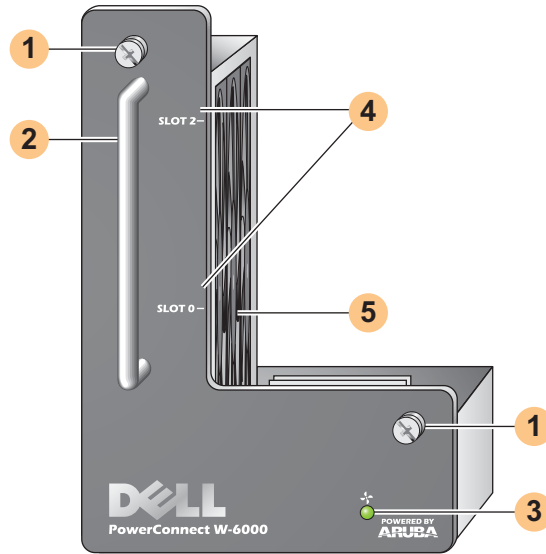
Cambio en caliente

El cambio en caliente debe ser realizado por un técnico con formación. El cambio en caliente permite sustituir una bandeja de ventilación sin tener que apagar el sistema. Durante la sustitución, el chasis seguirá funcionando sin ventiladores, aunque debe recordar que es preciso llevar a cabo este procedimiento en menos de un minuto para que la ventilación pueda volver a activarse correctamente.

Descripción física

La ranura de la bandeja de ventilación está situada a la izquierda del chasis del controlador W-6000 y va de la parte frontal a la parte posterior.

Figura 5 Bandeja de ventilación de controlador Dell W-6000-Series



- 1 Tornillos de fijación del módulo: estos tornillos se utilizan para fijar el módulo a la ranura de la bandeja de ventilación del chasis.
- 2 Asa del módulo: esta asa se utiliza para quitar o insertar el módulo en el chasis.



PRECAUCIÓN: no utilice el asa de la bandeja de ventilación para levantar o mover el controlador W-6000. Podría averiar gravemente la unidad.

- 3 LED de estado de ventilador: durante el funcionamiento, los LED de estado de ventilador proporcionan la información siguiente:

Tabla 4 Comportamiento del LED de la bandeja de ventilación

Estado	Descripción
Apagado	La bandeja de ventilación no funciona.
Verde	La bandeja de ventilación recibe corriente y los tres ventiladores funcionan correctamente.
Naranja	Un ventilador ha fallado, pero los otros dos pueden ventilar correctamente hasta que se sustituya la bandeja de ventilación averiada.
Rojo	Han fallado dos o más ventiladores. Debe sustituir la bandeja de ventilación inmediatamente.



NOTA: además de los LED, es posible visualizar el estado de la bandeja de ventilación y la temperatura general del chasis mediante el CLI.

- 4 Etiquetas de ranuras: cuando se instala una bandeja de ventilación en el controlador W-6000, estas etiquetas asignan un nombre a las ranuras de los módulos justo a la derecha de la bandeja de ventilación (consulte [Figura 1 en la página 7](#)).
- 5 Ventiladores (lateral): con tres ventiladores independientes se logra la redundancia necesaria para ventilar las tarjetas del controlador W-6000.

Sustitución de una bandeja de ventilación



PRECAUCIÓN: muchas de las reparaciones solo las puede llevar a cabo un técnico certificado. Por su cuenta, solo deberá llevar a cabo reparaciones sencillas para intentar solucionar problemas incluidos en la documentación del producto o según las indicaciones del servicio de asistencia telefónica y de nuestro equipo de soporte. Si daña la unidad intentando repararla de forma no autorizada por Dell, perderá la validez de la garantía. Lea las instrucciones de seguridad del producto y sígalas si lo necesita.

Si va a cambiar la bandeja de ventilación en caliente, debe recordar que algunas fases del procedimiento requieren una atención exhaustiva. Para asegurarse de que la preparación es correcta, lea todos los pasos del procedimiento antes de intentar proceder a la sustitución.

Asimismo, verifique que comprende todas las precauciones que deben tomarse en estos pasos, así como las descritas en la página 10.

Preparación de la nueva bandeja de ventilación

1. Saque la nueva bandeja de ventilación del envoltorio.
2. Observe con detenimiento la nueva bandeja de ventilación para verificar que está en perfecto estado.
3. Coloque la nueva bandeja de ventilación en un lugar seguro, de fácil acceso, cerca del chasis, lista para insertar.
4. Prepare un destornillador #2 Phillips o de estrella.

Extracción de la bandeja de ventilación antigua

1. Afloje los tornillos de fijación de la bandeja de ventilación.

En la parte frontal del controlador W-6000, utilice el destornillador para aflojar los dos tornillos de fijación de la placa de la bandeja de ventilación instalada. Los tornillos se aflojan en sentido contrario a las agujas del reloj, pero están fijados y no se pueden quitar del todo.

2. Suelte la bandeja de ventilación.

Sujete el asa del módulo con firmeza y tire de la bandeja de ventilación para sacarla de su ranura. Es posible que aprecie bastante resistencia, ya que el módulo debe desconectarse del fondo del chasis, pero no aplique demasiada fuerza tampoco.

Cuando el módulo esté totalmente suelto del fondo, los ventiladores ya no están alimentados y dejan de girar gradualmente.

PRECAUCIÓN: los ventiladores siguen girando durante unos momentos, aunque ya no haya alimentación en la unidad. Espere a que los ventiladores se detengan del todo y luego quite la bandeja de ventilación.



Asimismo, si realiza el cambio en caliente, cuando los ventiladores dejen de girar, el controlador W-6000 seguirá funcionando, aunque los componentes comenzarán a calentarse. Desde ese momento, dispone de un tiempo limitado (un minuto) para llevar a cabo la instalación de la nueva bandeja de ventilación.

El límite de un minuto es ineludible, ya que el controlador W-6000 no cuenta con función de apagado por temperatura. Si no es capaz de sustituir la bandeja de ventilación en menos de un minuto, apague el controlador.

3. Una vez suelta, la bandeja de ventilación sale fácilmente del chasis. Extraiga completamente la bandeja de ventilación y póngala en un lugar seguro.

Inserción de la nueva bandeja de ventilación

1. Sujete la nueva bandeja de ventilación por el asa del panel frontal.
2. Con cuidado, inserte la bandeja de ventilación en la ranura de bandeja de ventilación del chasis.
Alinee la parte posterior de la bandeja de ventilación con los raíles-guía de la ranura de bandeja de ventilación del chasis y deslícelo con suavidad hacia el fondo. El módulo debe deslizarse con total facilidad.
3. Coloque la bandeja de ventilación.
Cuando la bandeja de ventilación llega al fondo del chasis, es posible que aprecie cierta resistencia. Presione con firmeza para que los conectores del final del módulo se fijen en el fondo, pero no aplique demasiada.
Si realiza el cambio en caliente de la bandeja de ventilación con los conectores bien conectados, la alimentación vuelve a los ventiladores y deben comenzar a girar de nuevo.
4. Verifique que todos los ventiladores giran correctamente.
Con la bandeja de ventilación alimentada de nuevo, bien conectando el módulo al fondo durante un cambio en caliente o al encender el sistema tras un cambio en frío, los LED de estado de ventilador deberían estar en color verde y debería también ser evidente que el aire circula por la ventilación del chasis en todos los ventiladores.
Si funcionan todos los ventiladores, aquí finaliza la fase crítica del procedimiento de cambio en caliente.
Si *uno* de los ventiladores de una bandeja de ventilación cambiada no funciona (LED de estado de ventilador amarillo), deje que pasen al menos tres minutos para que los ventiladores restantes enfríen el chasis antes de intentar otro cambio en caliente.



PRECAUCIÓN: si dos o más ventiladores de la bandeja de ventilación cambiada en caliente no funcionan (el LED de estado de ventilador es rojo), apague el controlador W-6000, sustituya la bandeja de ventilación y deje que el controlador W-6000 se enfríe durante, al menos, cinco minutos antes de volver a encenderlo.

5. Fije la bandeja de ventilación.
Utilice el destornillador para apretar los dos tornillos de fijación de la placa de la bandeja de ventilación recién instalada. Gire los tornillos en sentido horario hasta que aprecie cierta resistencia, pero no los apriete demasiado.

El Dell PowerConnect W-6000M3 es un módulo del controlador que admite cambio en caliente y puede usarse en un sistema de chasis del controlador W-6000. El chasis del controlador W-6000 puede contener hasta cuatro módulos y cada uno se puede configurar como maestro o como local. Para obtener información detallada sobre el W-6000M3, incluidas instrucciones de instalación y opciones de compatibilidad y configuración, consulte la Guía de instalación de *Dell PowerConnect W-6000M3*. Para obtener información sobre la gestión de la energía, consulte [“Gestión de energía” en la página 27](#).

Cada módulo del controlador W-6000M3 puede admitir hasta 512 puntos de acceso conectados en un campus gracias a las licencias de actualización de puntos de acceso de Dell. Póngase en contacto con su representante de Dell para que le detalle todos los tipos de licencias de software disponibles.

Para obtener información sobre la instalación y el funcionamiento del módulo del controlador Dell PowerConnect W-6000M3, consulte la Guía de instalación del módulo *controlador Dell PowerConnect W-6000M3* que se incluye en cada módulo.

La fuente de alimentación del controlador Dell PowerConnect W-6000 adapta la corriente eléctrica para el uso del controlador W-6000. El chasis del W-6000 tiene tres ranuras para fuentes de alimentación individuales que pueden aceptar compartición de cargas y tolerancia frente a errores.

Este capítulo describe las funciones generales y las características físicas de la fuente de alimentación, así como importante información sobre la gestión del consumo de energía. En los últimos apartados del capítulo se incluyen los pasos necesarios para insertar y quitar fuentes de alimentación.

Funciones

Calificación

La fuente de alimentación del Dell W-6000 (HW-PSU-400) tiene una potencia de 400 W total y rango automático para aceptar de 85 a 264 V CA, a 50-60 Hz. Se pueden instalar hasta tres fuentes de alimentación de 400 W en el controlador W-6000.

Compartición de cargas

La compartición de cargas se produce cuando más de una fuente de alimentación de la misma calificación está instalada en el controlador W-6000 y encendida. La compartición de cargas divide la carga total de potencia del W-6000 entre todos los módulos de fuente de alimentación conectados. Como las fuentes de alimentación funcionan juntas, la capacidad de potencia eficaz del chasis aumenta con cada fuente de alimentación adicional.

Redundancia

Si hay instaladas varias fuentes de alimentación y una deja de estar disponible (por un fallo, porque se apaga o porque se quita), las fuentes de alimentación restantes intentarán alimentar al controlador W-6000 al 100%. Si la carga de potencia total no supera la salida combinada del resto, se proporciona alimentación para el funcionamiento y el W-6000 puede seguir encendido. Para obtener más información sobre las configuraciones de las fuentes de alimentación, [“Gestión de energía” en la página 27](#).

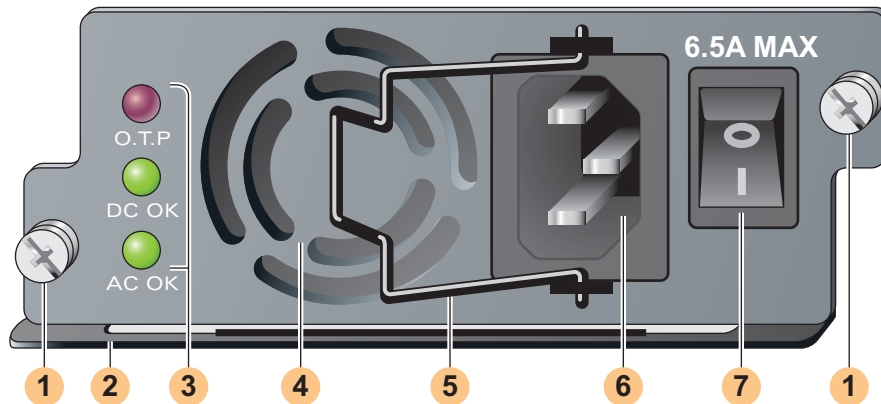
Cambio en caliente

El cambio en caliente debe ser realizado por un técnico con formación. El cambio en caliente permite sustituir una fuente de alimentación averiada mientras las otras alimentan al 100%. Esto hace que no sea necesario apagar el controlador W-6000 durante el procedimiento de sustitución.

El cambio en caliente requiere que, una vez quitada la fuente de alimentación correspondiente, la carga total de potencia del chasis no supere la salida combinada del resto de fuentes de alimentación.

Descripción física

Figura 6 Fuente de alimentación de 400 W



- 1 Tornillos de fijación del módulo: estos dos tornillos de fijación aseguran la posición de la fuente de alimentación en el chasis.
- 2 Asa del módulo: esta asa se utiliza para quitar o insertar el módulo en el chasis del W-6000.



PRECAUCIÓN: no utilice el asa de la fuente de alimentación para levantar o mover el controlador W-6000. Podría averiar gravemente la unidad.

- 3 Indicadores LED

Tabla 5 LED de la fuente de alimentación de 400 W

Nombre del LED	Posición	Estado	Descripción
O.T.P. (Protección sobrecalentamiento)	Superior	Apagado	La temperatura de la fuente de alimentación es correcta.
		Rojo	El ventilador de la fuente de alimentación se ha averiado o la temperatura es demasiado alta.
DC OK	Medio	Verde	La salida de alimentación CC es correcta.
		Rojo	La salida de alimentación de CC no está dentro de la tolerancia.
AC OK	Inferior	Verde	La entrada de alimentación de CA es correcta.
		Rojo	La entrada de alimentación de CA no está dentro de la tolerancia.



NOTA: además de los LED, el estado de la fuente de alimentación se puede ver con el CLI.

- 4 Ventilación de entrada de aire: esta ventilación de entrada de aire hace que el ventilador enfríe la fuente de alimentación durante su funcionamiento. Para evitar bloqueos, mantenga todo el material al menos a 10 cm de la ventilación.
- 5 Clip sujetacable de alimentación: este clip se ajusta al cable de alimentación una vez enchufado a la toma de entrada. Ayuda a evitar que se tire del cable de alimentación sin querer.



PRECAUCIÓN: no utilice el clip sujetacable de alimentación para quitar el módulo de fuente de alimentación o para mover el W-6000.

- 6 Toma de entrada de alimentación: esta toma acepta cables de conexión con conectores IEC320 estándar. Por seguridad y un funcionamiento correcto, el cable debe ser para 10 A y ajustarse a la normativa eléctrica de conexión a tierra vigente en el país en que se utilice el producto.
- 7 Interruptor de alimentación: el interruptor de alimentación tiene dos estados: apagado (●) y encendido (|).

Gestión de energía

El controlador W-6000 admite hasta tres fuentes de alimentación de 400 W. Si conecta una a dos fuentes de alimentación principales para 400 a 800 W de potencia principal, es posible que se utilicen los 400 W redundantes de fuente de alimentación.

Para una planificación más precisa, añada la potencia máxima requerida por todos los módulos de la configuración del chasis para determinar el número necesario de fuentes de alimentación.

Módulo W-6000M3 y tabla de configuración de fuentes de alimentación

La siguiente tabla contiene las configuraciones del módulo W-6000M3 y las configuraciones y uso de energía resultantes de las fuentes de alimentación.

Tabla 6 Fuente de alimentación y configuraciones del módulo

Módulo	Número de unidades			
Módulo del controlador W-6000M3 (130 W máx. de potencia cada uno)	1	2	3	4
Potencia total (W)	130	260	390	520
Número requerido de fuentes de alimentación	1	1	1	2
Número de fuentes de alimentación redundantes	1 o 2	1 o 2	1 o 2	1

Inserción de una fuente de alimentación

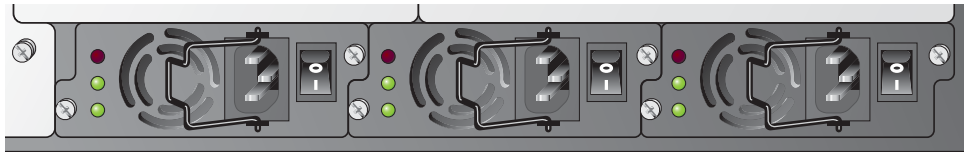


PRECAUCIÓN: muchas de las reparaciones solo las puede llevar a cabo un técnico certificado. Por su cuenta, solo deberá llevar a cabo reparaciones sencillas para intentar solucionar problemas incluidos en la documentación del producto o según las indicaciones del servicio de asistencia telefónica y de nuestro equipo de soporte. Si daña la unidad intentando repararla de forma no autorizada por Dell, perderá la validez de la garantía. Lea las instrucciones de seguridad del producto y sígalas si lo necesita.

1. Verifique que comprende el procedimiento y todas las precauciones que deben tomarse.

Antes de empezar, lea todo el procedimiento. Verifique que comprende todas las precauciones que deben tomarse en estos pasos, así como las descritas en la página 10.
2. Seleccione una ranura de fuente de alimentación para la fuente de alimentación.
 - La fuente de alimentación de 400 W (HW-PSU-400) se puede instalar en cualquier ranura de fuente de alimentación y se puede dejar vacía cualquier ranura de fuente de alimentación. Es decir, no hay ningún orden de uso requerido para las fuentes de alimentación.

Figura 7 Fuentes de alimentación de 400 W instaladas



Si va a sustituir una fuente de alimentación instalada previamente, consulte primero [“Extracción de una fuente de alimentación” en la página 29](#).

Si va a instalar una fuente de alimentación en una ranura vacía, tal vez deba quitar primero la placa blanca. Para ello, utilice un destornillador #2 Phillips o uno de estrella. Gire los tornillos de fijación en la placa en sentido contrario al de las agujas del reloj hasta que queden aflojados (no se pueden quitar del todo). Quite la placa y guárdela en un lugar seguro.

3. Compruebe que el interruptor de la fuente de alimentación que va a instalar está en la posición de apagado (O).



PRECAUCIÓN: no inserte ni quite nunca una fuente de alimentación con el interruptor en la posición de encendido (I) o si el cable de alimentación está enchufado a un módulo de fuente de alimentación. Verifique primero que el interruptor de alimentación está en la posición de apagado (O) y que el cable de alimentación está desenchufado del módulo de la fuente de alimentación del W-6000.

4. Inserte la fuente de alimentación en el chasis.

Sujete la fuente de alimentación por el asa del lado inferior con los LED a la izquierda y el interruptor a la derecha. no utilice el clip sujetacable de alimentación para insertar o quitar la fuente de alimentación. Alinee la parte posterior del módulo con los raíles-guía de la ranura de la fuente de alimentación del chasis y deslice suavemente el módulo hacia el fondo. No fuerce el módulo: debe deslizarse sin esfuerzo. Tal vez encuentre cierta resistencia cuando la fuente de alimentación toque los conectores de la parte posterior del chasis. Presione con fuerza para encajar los conectores, pero no demasiada.

5. Fije la fuente de alimentación.

Utilice el destornillador para apretar los tornillos de fijación del módulo en sentido horario hasta que aprecie cierta resistencia. No los apriete demasiado.

6. Conecte el cable de alimentación a la fuente de alimentación.



NOTA: lleve el clip sujetacable de alimentación a la izquierda antes de fijarlo.

Enchufe el cable de alimentación adecuado a la toma de corriente. El socket acepta un cable de alimentación con toma IEC320 estándar.

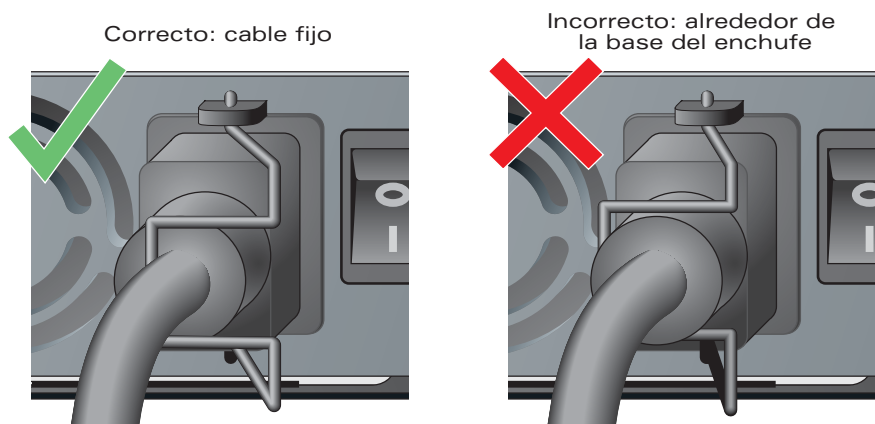


PRECAUCIÓN: por seguridad y un funcionamiento correcto, el cable de alimentación debe ser para 10 A y ajustarse a la normativa eléctrica de conexión a tierra vigente en el país en que se utilice el producto.

7. Fije el cable de alimentación.

Cuando el cable de alimentación esté conectado, lleve el clip sujetacable de alimentación a la derecha, tal como se muestra en la [Figura 8 en la página 29](#). Esto sujetará el enchufe en su sitio y evitará que se pueda quitar accidentalmente.

Figura 8 *Uso del clip sujetacable de alimentación*



8. Conecte el cable de alimentación a una toma de corriente adecuada.

Verifique que los sistemas eléctricos pueden gestionar la carga eléctrica para el W-6000.

- Cada fuente de alimentación del (HW-PSU-400) tiene una potencia de 400 W total y rango automático para aceptar de 85 a 264 V CA, a 50-60 Hz.

En función de la carga eléctrica total del W-6000, es posible que deba reducir la capacidad de los sistemas eléctricos. Consulte [“Gestión de energía” en la página 27](#) para obtener más información.



PRECAUCIÓN: por seguridad, verifique que se puede acceder fácilmente a las tomas de corriente y a los enchufes, y que es posible desconectarlos rápidamente si fuera necesario.



NOTA: utilice un suministrador de línea o una fuente de alimentación ininterrumpida (UPS) para reducir o mitigar los problemas provocados por las fluctuaciones del servicio. Verifique que la salida de cualquier dispositivo es compatible con las fuentes de alimentación del controlador W-6000.

Extracción de una fuente de alimentación



PRECAUCIÓN: muchas de las reparaciones solo las puede llevar a cabo un técnico certificado. Por su cuenta, solo deberá llevar a cabo reparaciones sencillas para intentar solucionar problemas incluidos en la documentación del producto o según las indicaciones del servicio de asistencia telefónica y de nuestro equipo de soporte. Si daña la unidad intentando repararla de forma no autorizada por Dell, perderá la validez de la garantía. Lea las instrucciones de seguridad del producto y sígalas si lo necesita.

1. Verifique que comprende el procedimiento y todas las precauciones que deben tomarse.

Antes de empezar, lea todo el procedimiento. Verifique que comprende todas las precauciones que deben tomarse en estos pasos, así como las descritas en la página 10.

2. Verifique que el interruptor de alimentación de la fuente de alimentación que va a quitar está en la posición de apagado (●).



PRECAUCIÓN: no inserte ni quite nunca una fuente de alimentación con el interruptor en la posición de encendido (I). Verifique primero que el interruptor de alimentación está en la posición de apagado (●).

3. Desenchufe la fuente de alimentación que quiera quitar

Si había utilizado el clip sujetacable de alimentación, llévelo primero a la izquierda y libere el enchufe. Seguidamente, quite el enchufe.

4. Quite la fuente de alimentación.

Utilice un destornillador #2 Phillips o de estrella para aflojar los tornillos de fijación de la fuente de alimentación en sentido contrario a las agujas del reloj hasta que estén sueltos (no se pueden quitar del todo). Sujete con firmeza el asa de la fuente de alimentación y tire con cuidado del módulo para sacarlo del chasis.

5. Cubra las ranuras no usadas.

Por seguridad, y para mejorar el flujo de aire, la ventilación y la entrada de polvo en el chasis, cubra las ranuras no usadas con una placa blanca.

Físicas

Tabla 7 Especificaciones físicas

Elemento	Medida
Tamaño	Altura: 14,9 cm Anchura: 44,2 cm Profundidad: 31,8 cm
Peso	26,5 KG máximo 6,3 KG chasis y bandeja de ventilación 4,4 KG cada fuente de alimentación

Medioambientales

Tabla 8 Especificaciones medioambientales

Elemento	Medida
Temperatura	Funcionamiento: 0 a 40 °C Almacenamiento: 0 a 50 °C Alarma menor: 40 °C Alarma mayor: 50 °C Alarma crítica: 60 °C
Humedad	Del 5% al 95% (sin condensación)
Altitud	3.048 m, máxima

Operativas

Tabla 9 Especificaciones operativas

Elemento	Medida
Fuentes de alimentación	Modelo HW-PSU-400— Entrada: 85-264 VCA, 50-60 Hz Salida: 48 V, 8 A
Consumo de energía	460 W (por fuente de alimentación), máximo
Gestión de la red	Interfaz de navegador web HTML
Estándares	IEEE 802.1x, IEEE 802.3 10BASE-T, IEEE 802.3u 100BASE-TX, IEEE 802.3ab 1000BASE-T, IEEE 802.3z 1000BASE-SX

Cumplimiento

Interferencias electromagnéticas

Estados Unidos

FCC Clase A

Se ha comprobado que este equipo cumple los límites de un dispositivo digital de clase A, según lo descrito en el apartado 15 de la normas de la FCC. Los límites están diseñados para proporcionar protección razonable frente a las interferencias dañinas que se producen cuando el equipo se utiliza en un entorno comercial. Este equipo genera, utiliza y puede radiar energía en forma de frecuencias de radio y, si no se instala según el manual de instrucciones, podría generar interferencias dañinas a las comunicaciones de radio. Es bastante probable que el uso de este equipo en áreas residenciales produzca interferencias. Si es así, el usuario deberá corregirlas por su cuenta.

Cualquier cambio o modificación no aprobado expresamente por la parte responsable del cumplimiento podría anular la autoridad del usuario para utilizar este equipo.

Este producto cumple lo estipulado en el Apartado 15 de las reglas de la FCC. El funcionamiento está sujeto a las dos condiciones siguientes: (1) Este dispositivo no puede emitir interferencias dañinas y (2) Este dispositivo debe aceptar cualquier interferencia recibida, incluidas las que puedan provocar un funcionamiento no deseado.

Canadá

This digital apparatus does not exceed the Class A limits for radio noise emissions from digital apparatus as set out in the interference-causing equipment standard entitled “Digital Apparatus,” ICES-003 of the Department of Communications.

Cet appareil numérique respecte les limites de bruits radioélectriques applicables aux appareils numériques de Classe A prescrites dans la norme sur le matériel brouilleur: “Appareils Numériques,” NMB-003 édictée par le ministère des Communications.

Japón

VCCI - Clase A

この装置は、情報処理装置等電波障害自主規制協議会（VCCI）の基準に基づくクラスA情報技術装置です。この装置を家庭環境で使用すると電波妨害を引き起こすことがあります。この場合には使用者が適切な対策を講ずるよう要求されることがあります。

This device complies with Part 15 of the FCC Rules. Operation is subject to the following two conditions: (1) this device may not cause harmful interference, and (2) this device must accept any interference received, including interference that may cause undesired operation.

**This Class A digital apparatus complies with Canadian ICES-003.
Cet appareil numérique de la classe A est conforme à la norme NMB-003 du Canada.**

Apparatet må tilkoples jordet stikkontakt.

Laitte on liitettävä suojamaadoituskoskettimilla varustettuun pistorasiaan.

この装置は、クラス A 情報技術装置です。この装置を家庭環境で使用すると電波妨害を引き起こすことがあります。この場合には使用者が適切な対策を講ずるよう要求されることがあります。

VCCI-A

Europa



ADVERTENCIA: éste es un producto de Clase A. En un entorno doméstico, este producto puede provocar interferencias de radio. En ese caso el usuario deberá adoptar las medidas necesarias.

Este producto cumple con los estándares EN55022 Clase A y EN55024.

Seguridad

Aviso sobre pilas de litio

Este producto contiene una pila de litio que solo un técnico formado debe sustituir.



PRECAUCIÓN: La pila de litio podría explotar si no se coloca adecuadamente. Un técnico formado debería sustituir la pila por una igual o de tipo equivalente recomendada siempre por el fabricante. Deshágase de las pilas usadas según las instrucciones del fabricante.

Aviso sobre el láser

El módulo controlador Dell PowerConnect W-6000M3 utilizado con este producto utiliza módulos de transceptores láser reemplazables en algunos puertos.



PRECAUCIÓN: el uso de controles o ajustes de rendimiento o procedimientos que no se describan en este manual podrían exponerle a riesgo de radiación peligrosa.

Este producto cumple lo descrito en el 21 CFR capítulo 1, subcapítulo J, apartado 1040.10, y el IEC 60825-1: 1993, A1: 1997, A2: 2001, IEC 60825-2: 2000.

Para seguir garantizando el cumplimiento con la norma anterior sobre seguridad de láser, solo se deben instalar en los productos de módulos de Clase 1 de proveedores aprobados.

Dell PowerConnect Controlador W-6000

Guia de instalação



Copyright

© 2011 Aruba Networks, Inc. AirWave®, Aruba Networks®, Aruba Mobility Management System® e outras marcas registradas são marcas comerciais da Aruba Networks, Inc. Dell™, o logotipo DELL™ e PowerConnect™ são marcas comerciais da Dell Inc.

Todos os direitos reservados. As especificações deste manual estão sujeitas a alterações sem aviso prévio.

Fabricado nos EUA. As outras marcas comerciais que aparecem neste manual pertencem às suas respectivas empresas.

Código de fonte aberta

Certos produtos da Aruba contém código de software de fonte aberta desenvolvido por terceiros, incluindo código de software sujeito à licença pública geral (GPL) GNU, licença pública menos generalizada (LGPL) GNU ou outras licenças de fonte aberta. O código de fonte aberta pode ser encontrado neste site:

http://www.arubanetworks.com/open_source

Aviso legal

O uso de plataformas de switching e softwares da Aruba Networks, Inc., por pessoas físicas ou jurídicas, na terminação de outros dispositivos clientes VPN de outros fornecedores constitui a plena aceitação da responsabilidade dessa pessoa física ou jurídica por tal ação e isenta completamente a Aruba Networks, Inc. de todo e qualquer processo legal que possa ser movido contra a mesma com relação à violação dos direitos de copyright em nome desses fornecedores.

Prefácio	5
Visão geral deste manual.....	5
Documentos relacionados.....	5
Convenções de texto	5
Como entrar em contato com o suporte	6
Capítulo 1 Visão geral do sistema	7
Recursos	7
Descrição física.....	7
Capítulo 2 Instalação do chassi	9
Lista de verificação pré-instalação.....	9
Precauções	10
Requisitos	10
Configuração mínima.....	10
Kit de montagem em rack	11
Seleção de um local	11
Montagem do chassi em rack.....	12
Adição de módulos do Controlador W-6000M3.....	14
Conexão da alimentação.....	14
Capítulo 3 Verificação da instalação	17
Capítulo 4 A bandeja do ventilador	19
Recursos	19
Redundância integrada	19
Hot swap	19
Descrição física.....	19
Substituição de uma bandeja do ventilador	21
Preparação de uma nova bandeja do ventilador.....	21
Remoção de uma bandeja do ventilador antiga	21
Insira a nova bandeja do ventilador.....	22
Capítulo 5 Dell PowerConnect W-6000M3	23
Capítulo 6 O módulo da fonte de alimentação W-6000	25
Recursos	25
Classificação.....	25
Compartilhamento de carga	25
Redundância	25
Hot swap	25
Descrição física.....	26
Gerenciamento de energia	27
Tabela de configuração da PSU e do módulo W-6000M3.....	27

Como inserir uma fonte de alimentação.....	27
Como remover uma fonte de alimentação	29

Capítulo 7

Especificações	31
Física.....	31
Ambiental	31
Operacional	31
Conformidade	32
Interferência eletromagnética	32
Estados Unidos	32
Canadá	32
Japão.....	32
Europa	33
Segurança	33
Aviso sobre baterias de lítio	33
Aviso sobre laser.....	33

O prefácio contém as seguintes informações:

- Uma visão geral das seções deste manual
- Uma lista da documentação relacionada para maior referência
- Uma explicação das várias convenções de texto usadas neste manual
- Informações sobre suporte e serviço da Dell

Visão geral deste manual

Este manual é destinado a técnicos treinados responsáveis pela instalação do Dell PowerConnect Controlador W-6000. Este manual está organizado da seguinte forma:

- O chassi do Controlador W-6000 Dell PowerConnect
Os capítulos 1, 2 e 3 descrevem o Controlador W-6000 e fornecem instruções sobre como montar o chassi, conectar a fonte de alimentação e executar os testes de acionamento inicial.
- Os módulos do Controlador W-6000M3 Dell PowerConnect
Os capítulos 4, 5 e 6 são voltados para um módulo específico e contêm instruções sobre como instalar e substituir o item individual.
- Apêndice

Documentos relacionados

Os seguintes itens fazem parte da documentação completa para o sistema Dell:

- *Guia de instalação do controlador Dell PowerConnect W-6000* (este manual)
- *Dell PowerConnect ArubaOS User Guide*
- *Guia de instalação do Dell PowerConnect W-AP*

Convenções de texto

As seguintes convenções são usadas neste manual para enfatizar conceitos importantes:

Tabela 1 *Convenções de texto*

<i>Itálico</i>	Esse estilo é usado para enfatizar termos importantes e marcar os títulos dos manuais.
Itens do sistema	Essa fonte de largura fixa indica o seguinte: <ul style="list-style-type: none">• Exemplo de resultado na tela• Prompts do sistema• Nomes de arquivos, dispositivos de software e certos comandos quando mencionados no texto

Tabela 1 Convenções de texto

Comandos	
Comandos	Nos exemplos de comando, essa fonte em negrito indica texto que o usuário deve digitar exatamente como mostrado.
<Argumentos>	Nos exemplos de comando, o texto em itálico entre os colchetes angulares representa itens que o usuário deve substituir por informações apropriadas à situação específica. Por exemplo: <pre># send <mensagem de texto></pre> Neste exemplo, o usuário digitaria "send" no prompt do sistema exatamente como mostrado, seguido pela mensagem de texto que deseja enviar. Não digite os colchetes angulares.
[Opcional]	Nos exemplos de comando, os itens entre colchetes são opcionais. Não digite os colchetes.
{Item A Item B}	Nos exemplos de comando, os itens entre chaves e separados por uma barra vertical representam as opções disponíveis. Digite apenas uma opção. Não use as chaves nem as barras.

Como entrar em contato com o suporte

Tabela 2 Informações de contato da Dell

Site	
Site principal	dell.com
Site do suporte	support.dell.com
Site de documentação	support.dell.com/manuals

O Dell PowerConnect Controlador W-6000 é um chassi modular de classe corporativa que conecta, controla e integra de forma inteligente pontos de acesso (APs) sem fio e monitores de ar (AMs) à rede LAN cabeada.

Este capítulo apresenta o Controlador W-6000. Ele descreve os recursos gerais do sistema modular e ilustra os principais elementos físicos. Depois de se familiarizar com o sistema, você pode iniciar o processo de instalação detalhado no próximo capítulo.

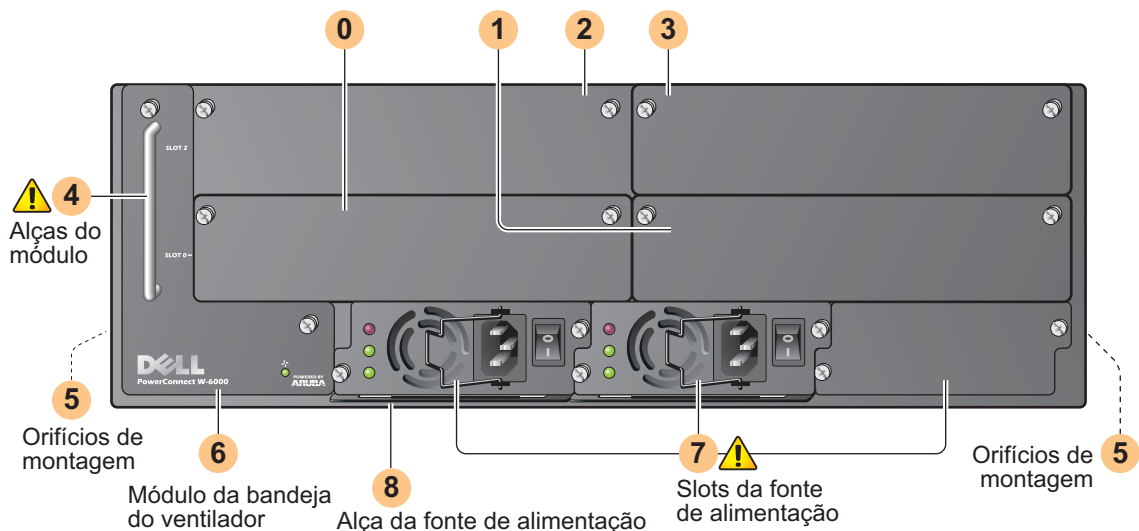
Recursos

Esta seção descreve os recursos gerais do Controlador W-6000.

- Switch 10/100/1000 Mbps e 10 Gbps com encaminhamento de pacote em alta velocidade pelas camadas 2/3.
- O processamento de pacotes de alto desempenho agrega valor a serviços sem fio, como balanceamento de carga, limitação de velocidade, correção automática, calibração, autenticação, mobilidade, segurança, monitoramento centralizado e configuração.
- O chassi 3U pode ser montado em um rack de telecomunicação ou de servidor padrão de 19 polegadas.
- O chassi modular baseado em slot permite a expansão da rede e a tolerância a falhas.
 - Até 4 módulos Dell PowerConnect W-6000M3
 - Até 3 fontes de alimentação que podem ser trocadas a quente com capacidade para compartilhamento de carga para proporcionar redundância
 - Uma bandeja do ventilador contendo três ventiladores individuais para proporcionar redundância

Descrição física

Figura 1 Controlador W-6000 Dell PowerConnect



- 0 Slot 0: esse slot é para o módulo Controlador W-6000M3 Dell PowerConnect necessário.
- 1 Slot 1: esse slot é para um módulo W-6000M3 adicional.

- 2 Slot 2: esse slot é para um módulo W-6000M3 adicional.
- 3 Slot 3: esse slot é para um módulo W-6000M3 adicional.
- 4 Alças do módulo: todas as alças do módulo são usadas apenas para remover e inserir os módulos individuais.



CUIDADO: Nunca use as alças do módulo para levantar ou mover o chassi do Controlador W-6000. Usar as alças para apoiar o chassi pode resultar em sérios danos ao módulo e ao chassi.

- 5 Orifícios para acoplar suportes para montagem em rack (na lateral)
- 6 Módulo da bandeja do ventilador: o Controlador W-6000 é resfriado pelo ar extraído do chassi pela bandeja do ventilador. A bandeja do ventilador extrai ar da direita para a esquerda (conforme visto pela dianteira do chassi) em todos os módulos instalados.

Durante a operação, as aberturas de ventilação dos lados esquerdo e direito do chassi devem permanecer desobstruídas por cabos e equipamentos de montagem. Para a circulação de ar adequada, deixe uma folga de no mínimo 10 cm nos lados esquerdo e direito do chassi.

- 7 Slots da fonte de alimentação: o chassi tem slots para até três fontes de alimentação. O número de fontes de alimentação necessárias para o sistema depende do número de módulos do Controlador W-6000M3 instalados e se você deseja incluir fontes de alimentação redundantes. Consulte [“Gerenciamento de energia” na página 27](#) para obter mais informações.

Cada fonte de alimentação tem seu próprio cabo de alimentação e interruptor liga/desliga.



CUIDADO: Nunca insira nem remova uma fonte de alimentação com seu interruptor liga/desliga na posição On ou enquanto o cabo de alimentação estiver conectado. Verifique, primeiramente, se o interruptor liga/desliga está na posição Off e se o cabo está desconectado.



CUIDADO: Certifique-se de seguir as precauções adequadas de descarga eletrostática (ESD) quando for manusear o Controlador W-6000 Dell e seus componentes.

- 8 Alça da fonte de alimentação: use essa alça para remover ou inserir uma fonte de alimentação.



CUIDADO: O procedimento de instalação deve ser executado por técnicos treinados.

Esta capítulo abrange os seguintes tópicos de instalação:

- Precauções a observar durante a instalação
- Requisitos para os componentes do Controlador W-6000 e engrenagem para montagem em rack
- Seleção do ambiente adequado para o Controlador W-6000
- Montagem do Controlador W-6000 em rack
- Conexão da alimentação ao Controlador W-6000

Lista de verificação pré-instalação

Você precisará do seguinte durante a instalação:

- Controlador Dell PowerConnect W-6000
- Ferramentas para montagem em rack do Controlador Dell PowerConnect W-6000 (fornecidas)
- Chave de fenda Phillips ou de ponta cruzada
- Rack do equipamento de 19 pol, ou equivalente
- Espaço para rack 3U com folga de 10 cm nos lados esquerdo, direito, dianteiro e traseiro do rack
- Outra pessoa para ajudar a posicionar o Controlador W-6000.
- Um cabo de alimentação para cada fonte de alimentação, com potência nominal mínima de 10 A com conector IEC320
- Fontes de alimentação e energia elétrica adequadas (consulte [“Gerenciamento de energia” na página 27](#))
- Ar fresco, sem condensação sob 0 a 40 °C (32 a 104 °F): pode exigir ar-condicionado
- Terminal do console com porta serial RJ-45 ou DB-9
- Cabo serial RS-232 com conectores RJ-45 macho
- Um adaptador serial (fornecido) se for conectar ao console com DB-9

Precauções

CUIDADO: Tensão perigosa em excesso de 240 V CA (AC) está sempre presente enquanto o módulo de fonte de alimentação está conectado a uma tomada elétrica. Remova todos os anéis, jóias e outros materiais potencialmente condutores antes de trabalhar com este produto.

Nunca insira objetos estranhos no chassi, na fonte de alimentação ou em outro componente, mesmo quando as fontes de alimentação estiverem desligadas, desconectadas ou removidas.

A energia principal é totalmente desconectada do Controlador W-6000 por meio da desconexão dos cabos de alimentação das fontes de alimentação de suas tomadas. Por segurança, verifique se as tomadas de energia e os plugues estão ao alcance do operador.

Não manuseie cabos elétricos não isolados. Isso inclui qualquer cabo de rede.



Para minimizar o risco elétrico, mantenha água e outros fluidos longe do produto.

Obedeça às normas de aterramento elétrico durante todas as fases de instalação e operação do produto. Não deixe o chassi do Controlador W-6000, as portas de rede, as fontes de alimentação ou os suportes de montagem em contato com dispositivos, cabos, objetos ou pessoas em um circuito de aterramento elétrico diferente. Além disso, nunca conecte o dispositivo a fontes de aterramento externas sob tempestades.

A instalação ou remoção do chassi ou qualquer módulo deve ser realizada em um ambiente livre de estática. O uso adequado de tiras e tapetes antiestáticos é altamente recomendável.

Os módulos devem ser mantidos em uma embalagem antiestática quando não instalados no chassi.

Não despache/armazene este produto próximo de campos eletromagnéticos, eletrostáticos, magnéticos ou radioativos fortes.

Não desmonte o chassi ou qualquer módulo. Eles não possuem peças internas que podem ser reparadas pelo usuário. Quando a manutenção ou o reparo forem necessários, consulte ["Como entrar em contato com o suporte" na página 6](#).

Requisitos

Configuração mínima

Um Controlador Dell PowerConnect W-6000 deve incluir os seguintes componentes básicos:

- Um chassi do Controlador W-6000
- Uma bandeja do ventilador
- Um módulo Controlador W-6000M3 no slot 0 (vendido separadamente)
- No mínimo duas fontes de alimentação de 400 W



NOTA: O número de fontes de alimentação necessárias depende do número de módulos do Controlador W-6000M3 instalados no chassi (consulte ["Gerenciamento de energia" na página 27](#)).

O Controlador W-6000 é fornecido com todos os módulos de fonte de alimentação e bandeja do ventilador necessários instalados. Instale o chassi conforme descrito neste capítulo e consulte os capítulos subsequentes neste manual para obter instruções sobre como instalar os módulos adicionais.

Kit de montagem em rack

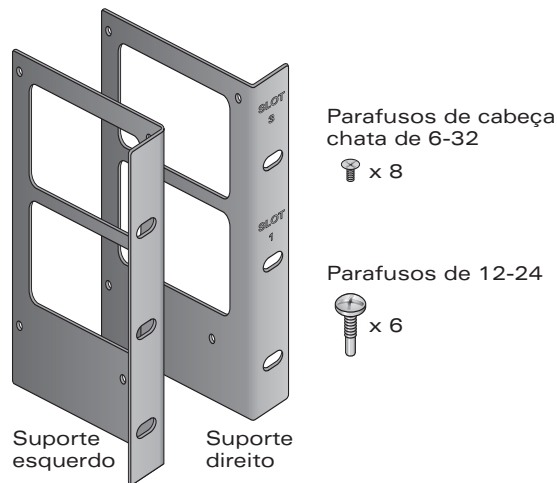
Usando o kit de montagem em rack fornecido, o Controlador W-6000 pode ser montado em um rack para equipamentos de rede de telecomunicações padrão de 19 pol. O kit de montagem em rack contém as seguintes peças:

- Parafusos de cabeça chata Phillips de 6-32 x 1/4" (6 fornecidos)
- Parafusos de cabeça chata de Phillips de 12-24 x 5/8" (4 fornecidos)

Além disso, o Controlador W-6000 pode ser instalado em um rack para servidor de 19 pol. A instalação em rack para servidor exige os seguintes itens fornecidos:

- Parafusos de cabeça chata Phillips de 6-32 x 1/4" (6 fornecidos)
- Parafusos M6 x 20 mm Phillips (4 fornecidos)
- Porcas gaiola M6 (4 fornecidas) ou braçadeiras gaiola M6 (4 fornecidas)

Figura 2 Ferramentas para montagem em rack (kit para telecomunicações ilustrado)



NOTA: Os seis parafusos de 12-24 devem ser usados para fixar o chassi ao rack. Alguns racks exigem parafusos diferentes, não fornecidos. Verifique se você tem os parafusos ou prendedores corretos para o seu sistema de rack antes de tentar montar o chassi.

Seleção de um local

O Controlador W-6000, assim como outros dispositivos de rede e computação, requer um ambiente “amigável para dispositivos eletrônicos”.

- Energia confiável

Verifique se sua tomada elétrica é compatível com a fonte de alimentação Controlador W-6000 (HW-PSU-400), cuja potência nominal total é de 400 W, e tem variação automática para aceitar de 85 a 264 V CA (AC), a 50-60 Hz.

Os cabos de alimentação devem ter potência nominal de 10 A e estar em conformidade com os padrões elétricos de aterramento do país em que o produto será usado.

O uso de um condicionador de linha de força ou no-break pode reduzir ou eliminar os problemas causados por oscilações do fornecimento de energia. Verifique se a saída de algum dispositivo modulador de energia é compatível com as fontes de alimentação Controlador W-6000 com base nas informações fornecidas acima.

- Ventilação em ambiente fresco, sem condensação

Para a operação adequada, o Controlador W-6000 requer um ambiente com temperatura do ar entre 0 e 40 °C (32 a 104 °F). A umidade deve ser mantida em níveis sem condensação entre 5 e 95%.

Em ambientes onde um grande número de dispositivos elétricos funcionam na mesma área, talvez seja necessário equipamento adicional de ar-condicionado e circulação de ar.

- Espaço amplo

Para a circulação de ar adequada, deixe uma folga de no mínimo 10 cm para as aberturas de ventilação nos lados esquerdo, direito, dianteiro e traseiro do chassi.

Deixe mais espaço na dianteira do chassi para acessar cabos de alimentação, cabos de rede e LEDs indicadores.

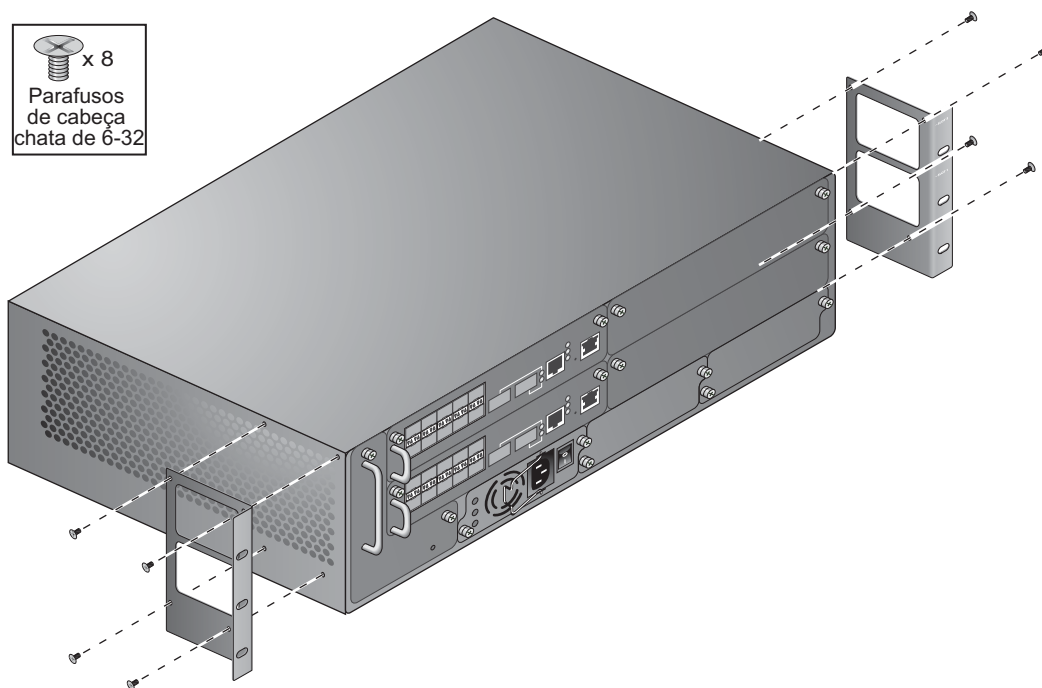
- Interferência eletromagnética limitada

Para a melhor operação, mantenha o Controlador W-6000 e todos os fios e cabos a no mínimo 0,7 m de conexões de iluminação fluorescente, e a 2 m de fotocopiadoras, transmissores de rádio, geradores elétricos e outras fontes de interferência eletromagnética forte.

Montagem do chassi em rack

1. Verifique se o ambiente do rack atende aos requisitos (consulte [“Seleção de um local”](#) na página 11).
2. Fixe os suportes de montagem em rack ao chassi conforme ilustrado em [Figura 3](#) na página 12.

Figura 3 Fixação dos suportes para montagem em rack



O suporte marcado com números de slot 1 e 3 é para o lado direito do chassi do Controlador W-6000. Posicione os dois suportes de forma que o flange estreito fique virado para frente. Quando posicionados corretamente, os vãos retangulares grandes dos suportes serão posicionados sob as aberturas de ventilação laterais para permitir o fluxo de ar durante a operação.

Use uma chave de fenda Phillips ou de ponta cruzada para fixar cada suporte com firmeza com quatro parafusos de cabeça chata de 6-32 (fornecidos).

3. Fixe o Controlador W-6000 ao rack.



CUIDADO: Para evitar lesões pessoais ou danos ao equipamento, peça ajuda para levantar e posicionar o Controlador W-6000. Além disso, não instale o Controlador W-6000 de qualquer forma em que possa ocorrer instabilidade ou carga mecânica desnivelada.



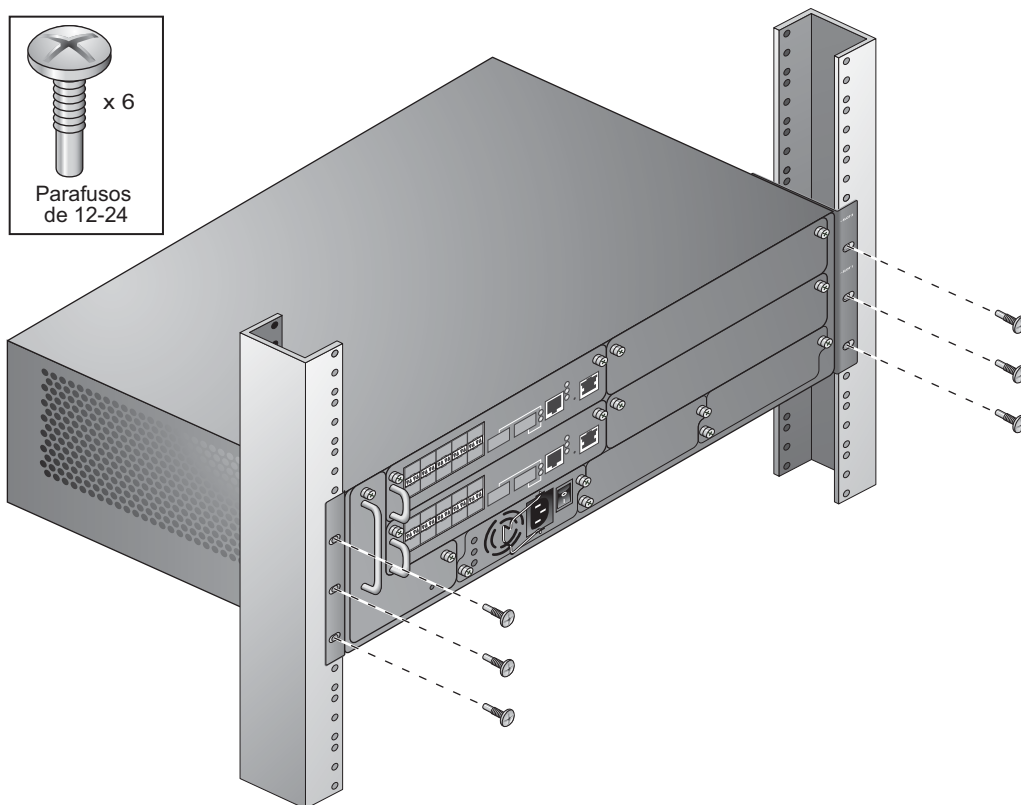
NOTA: Para a operação adequada, o Controlador W-6000 requer um ambiente com temperatura do ar entre 0 e 40 °C (32 a 104 °F). Verifique se o ambiente do rack está em conformidade com as normas.

Se você for instalar este dispositivo em um rack de servidor, instale as porcas/braçadeiras gaiola primeiro. Instale as porcas/braçadeiras gaiola para concluir as seguintes etapas:

- Comece inserindo o lábio inferior da porca gaiola sobre a abertura quadrada da parte traseira do trilho.
- Insira a extremidade pequena da ferramenta de instalação de porcas gaiola na abertura do trilho (pela parte frontal) e enganche a ferramenta no lábio superior da porca gaiola.
- Empurre a porca gaiola para o trilho enquanto gira a ferramenta para cima e puxe a ferramenta para trás, em sua direção, até que o lábio superior da porca gaiola encaixe na posição.
- Continue a instalar o Controlador W-6000 normalmente.

Posicione o chassi no rack do equipamento e alinhe os orifícios de montagem dos suportes com os orifícios correspondentes da estrutura do rack.

Figura 4 Montagem do Controlador W-6000



Use uma chave de fenda Phillips ou de ponta cruzada para fixar o chassi no rack com três parafusos de 12-24 (para rack de telecomunicações) ou três M6 x 20 mm (para rack de servidor) para cada suporte de montagem.



NOTA: Alguns gabinetes exigem parafusos diferentes, não fornecidos. Verifique se você está usando os parafusos ou prendedores fixadores corretos para o sistema do rack.

Adição de módulos do Controlador W-6000M3

Se você recebeu seus módulos separadamente do chassi, ou deseja expandir o sistema com módulos adicionais, consulte os capítulos subsequentes deste manual para obter instruções específicas sobre como instalar cada módulo.



NOTA: Com a adição de módulos, você aumenta a carga de energia total. Dependendo dos módulos instalados, você pode ser solicitado a adicionar fontes de alimentação ao chassi e/ou aumentar a capacidade dos sistemas elétricos do local. Para obter detalhes, consulte [“Gerenciamento de energia” na página 27](#).

Conexão da alimentação



CUIDADO: Este procedimento deve ser executado por técnicos treinados.

1. Verifique se você entendeu o procedimento e todas as precauções.
Antes de começar, leia o procedimento inteiro. Verifique se você entendeu todas as precauções dessas etapas, bem como das detalhadas em página 10.
2. Verifique se as fontes de alimentação suportam a carga de energia.
O número de fontes de alimentação necessárias para o Controlador W-6000 depende do número de módulos do Controlador W-6000M3 instalado. Consulte [“Gerenciamento de energia” na página 27](#) para obter detalhes.
3. Verifique se o sistema elétrico do local pode suportar a carga de energia do Controlador W-6000.
 - Cada fonte de alimentação Controlador W-6000 (HW-PSU-400) tem potência nominal total de 400 W e tem variação automática para aceitar de 85 a 264 V CA (AC), a 50-60 Hz.
Dependendo da carga de energia total, talvez seja necessário aumentar a capacidade do sistema elétrico do local. Consulte [“Gerenciamento de energia” na página 27](#) para obter detalhes.



NOTA: O uso de um condicionador de linha de força ou no-break pode reduzir ou eliminar os problemas causados por oscilações do fornecimento de energia. Verifique se a saída de algum dispositivo modulador de energia é compatível com as fontes de alimentação Controlador W-6000 com base nas informações fornecidas acima.

4. Verifique se o interruptor liga/desliga da fonte de alimentação está na posição Off (⊖).



CUIDADO: Nunca conecte um cabo de alimentação a uma fonte de alimentação com seu interruptor liga/desliga na posição On (I). Verifique se o interruptor liga/desliga está desligado (⊖) primeiro.

5. Conecte o cabo de alimentação à fonte de alimentação.
Conecte um cabo de alimentação apropriado a uma tomada de entrada de energia. A tomada aceita um cabo de alimentação com um plugue IEC320 padrão.



CUIDADO: Para garantir a segurança e o desempenho adequados, o cabo de alimentação deve ter potência nominal de 10 A e estar em conformidade com os padrões elétricos de aterramento do país em que o produto será usado.



NOTA: A fonte de alimentação 400 W (HW-PSU-400) contém uma braçadeira de retenção de cabo de alimentação. Quando o cabo de alimentação é conectado, a braçadeira é usada para manter o cabo no lugar e ajudar a evitar que o cabo seja puxado acidentalmente (consulte [Figura 8 na página 29](#)).

6. Conecte o cabo de alimentação a uma tomada elétrica adequada.



CUIDADO: Por motivos de segurança, verifique se as tomadas de energia e os plugues são de fácil acesso para o operador e se podem ser desconectados facilmente se necessário.

Repita as etapas 4, 5 e 6 para cada fonte de alimentação instalada.

Quando a alimentação estiver conectada, você poderá executar o teste de acionamento (consulte página 17).

Depois que o Controlador W-6000 estiver fisicamente instalado, execute o seguinte teste de acionamento:

1. Ligue todas as fontes de alimentação instaladas em uma sucessão rápida.

Para cada fonte de alimentação, coloque o interruptor liga/desliga na posição (|).



NOTA: Para evitar sobrecarga nas primeiras fontes de alimentação a serem ligadas, todas as fontes de alimentação devem ser ligadas basicamente ao mesmo tempo (dentro de aproximadamente três segundos).

2. Verifique os indicadores de energia adequados.

Logo após ligar o sistema, observe o seguinte:

- A luz dos LEDs AC OK e DC OK de todas as fontes de alimentação deve estar verde sólido.
- O LED Fan Status LED na bandeja do ventilador deve estar verde sólido e você deve sentir um fluxo de ar constante nas aberturas de ventilação do chassi nas três posições do ventilador.

3. Verifique os indicadores de operação adequados.

Depois de inicializar o sistema com êxito, observe o seguinte:

- Os LEDs AC OK e DC OK de todas as fontes de alimentação ainda estão na cor verde sólido.
- O LED Fan Status na bandeja do ventilador ainda está na cor verde sólido.



NOTA: Para obter mais informações sobre o comportamento dos LEDs, consulte os capítulos individuais referentes aos módulos específicos.

4. Quando o sistema passar no teste de acionamento inicial:

- Conecte os cabos de rede apropriados.

5. Agora você está pronto para executar a configuração inicial conforme descrito no *Aruba Quick Start Guide* (fornecido com o kit de acessórios) do software carregado em seu controlador.

A bandeja do ventilador Controlador W-6000 Dell PowerConnect (HW-FT) promove a circulação do ar para resfriar os módulos W-6000M3 no chassi do Controlador W-6000 Dell PowerConnect e é necessária para sua operação normal. A temperatura de operação normal para o chassi do Controlador W-6000 é entre 0 e 40 °C. Se essa faixa de temperatura for excedida, o W-6000 fornecerá um aviso pelo software para alertar os usuários sobre a alteração. A tabela a seguir descreve esses alarmes e seus limites:

Tabela 3 *Limites de temperatura*

Gravidade do alarme	Limite
Moderado	40 °C
Alto	50 °C
Crítico	60 °C

Este capítulo descreve os recursos gerais e as características físicas da bandeja do ventilador, e fornece instruções sobre como substituir o módulo, se necessário.

Recursos

Redundância integrada

Três ventiladores são fornecidos na bandeja do ventilador. O módulo foi desenvolvido para promover o resfriamento, mesmo se um ventilador falhar. Qualquer um dos ventiladores operacionais fornecerá fluxo de ar suficiente para o resfriamento adequado até que a bandeja do ventilador seja substituída.

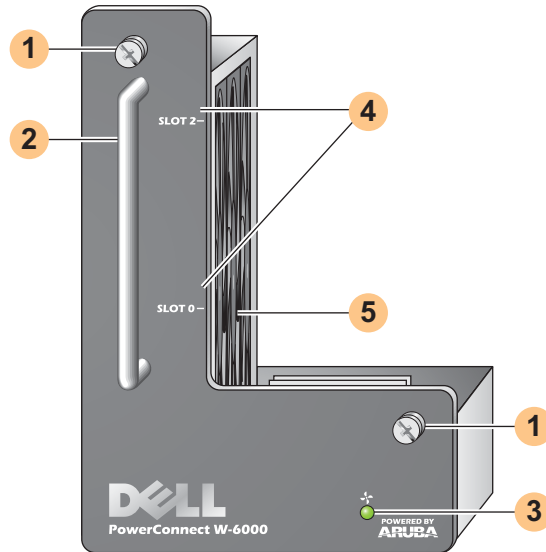
Hot swap

O procedimento de hot swap deve ser executado por técnicos treinados. O hot swap permite substituir a bandeja do ventilador sem precisar desligar o sistema. Durante a operação de substituição, o chassi continuará a funcionar sem ventiladores, embora o procedimento deva ser concluído em um minuto para retomar o resfriamento adequado.

Descrição física

O slot da bandeja do ventilador está localizado no lado esquerdo do chassi do Controlador W-6000 e se estende da dianteira do chassi até a traseira.

Figura 5 Bandeja do ventilador Dell série Controlador W-6000



- 1 Parafusos de fixação do módulo: esses parafusos cativos são usados para fixar o módulo no slot da bandeja do ventilador do chassi.
- 2 Alça do módulo: essa alça é usada para remover e inserir o módulo no chassi.



CUIDADO: Não use a alça da bandeja do ventilador para levantar ou mover o Controlador W-6000. Isso pode provocar danos sérios.

- 3 LED Fan Status: durante a operação, o LED Fan Status fornece as seguintes informações:

Tabela 4 Comportamento do LED da bandeja do ventilador

Status	Descrição
Apagado	A bandeja do ventilador não está funcionando.
Verde	A bandeja do ventilador está recebendo energia e todos os três ventiladores estão funcionando corretamente.
Âmbar	Um ventilador falhou, mas os outros dois podem fornecer o resfriamento até que a bandeja do ventilador possa ser substituída de maneira conveniente.
Vermelho	Dois ou mais ventiladores falharam. Substitua a bandeja do ventilador imediatamente.



NOTA: Além dos LEDs, o status da bandeja do ventilador e a temperatura geral do chassi podem ser conferidos no CLI.

- 4 Rótulos dos slots: quando a bandeja do ventilador é instalada no Controlador W-6000, esses rótulos nomeiam os slots do módulo à direita da bandeja do ventilador (consulte [Figura 1 na página 7](#)).
- 5 Ventiladores (laterais): três ventiladores independentes fornecem redundância para resfriar as placas do Controlador W-6000.

Substituição de uma bandeja do ventilador



CUIDADO: Muitos reparos podem ser efetuados somente por um técnico de serviço certificado. Você deve efetuar apenas soluções de problemas e reparos simples conforme autorizado na documentação do produto, ou conforme instruído pela equipe de serviço e suporte on-line ou por telefone. Danos decorrentes de reparos não autorizados pela Dell não são cobertos pela garantia. Leia e siga as instruções de segurança fornecidas com o produto.

Quando for realizar o hot swap a bandeja do ventilador, tenha em mente que há aspectos críticos relacionados ao tempo em partes do procedimento. Para assegurar o preparo adequado, leia todas as etapas do procedimento antes de tentar fazer a substituição.

Além disso, certifique-se de que você entendeu todas as precauções dessas etapas, bem como das detalhadas em página 10.

Preparação de uma nova bandeja do ventilador

1. Retire a nova bandeja do ventilador da caixa.
2. Inspeção a nova bandeja do ventilador para verificar se ela não está danificada.
3. Coloque a nova bandeja do ventilador em um local seguro e acessível próximo do chassi, pronto para inserção imediata.
4. Localize uma chave de fenda Phillips nº 2 ou de ponta cruzada.

Remoção de uma bandeja do ventilador antiga

1. Solte os parafusos de fixação da bandeja.

Na parte frontal do Controlador W-6000, use a chave de fenda para soltar os dois parafusos de fixação na placa dianteira da bandeja do ventilador instalada. Os parafusos são soltos com rotação no sentido anti-horário, mas são cativos e não podem ser totalmente removidos.

2. Desencaixe a bandeja do ventilador.

Segure a alça do módulo com firmeza e empurre a bandeja do ventilador para a frente de seu slot. Pode haver uma resistência moderada conforme o módulo é solto de suas conexões com a placa de apoio do chassi, mas não use força excessiva.

Quando o módulo estiver totalmente desencaixado da placa de apoio, a energia dos ventiladores operacionais será perdida e eles irão parar de girar gradualmente.

CUIDADO: Os ventiladores continuarão a girar brevemente, mesmo sem energia. Aguarde os ventiladores pararem de girar antes de remover a bandeja do ventilador.



Além disso, no hot swap, depois que os ventiladores pararem de girar, o Controlador W-6000 continuará a funcionar, embora os componentes operacionais começarão a acumular calor. Nesse momento, há um tempo limitado (um minuto) em que a instalação da nova bandeja do ventilador deve ser concluída.

O limite de um minuto deve ser seguido já que o Controlador W-6000 não tenha uma função de desligamento térmico. Se você não puder substituir a bandeja do ventilador dentro de um minuto, desligue o controlador.

3. Uma vez desencaixada, a bandeja do ventilador deve sair facilmente do chassi. Remova totalmente a bandeja do ventilador e coloque-a de lado com segurança.

Insira a nova bandeja do ventilador

1. Segure a nova bandeja do ventilador pelas alças fornecidas em seu painel frontal.
2. Insira a bandeja do ventilador no slot para bandeja do ventilador no chassi com cuidado.

Alinhe a traseira da bandeja do ventilador com os trilhos-guia do slot para bandeja do ventilador chassi e deslize-a cuidadosamente para a placa de apoio. O módulo deve deslizar facilmente na maior parte do caminho.
3. Encaixe a bandeja do ventilador.

Conforme a bandeja do ventilador se aproxima da traseira do chassi, você sentirá uma resistência moderada. Pressione com firmeza para que os conectores da traseira do módulo se encaixem na placa de apoio, mas não use força excessiva.

Depois de realizar o hot swap da bandeja do ventilador e quando os conectores estiverem devidamente encaixados, a energia dos ventiladores deve ser restaurada e eles devem começar a girar.
4. Verifique se todos os ventiladores estão funcionando.

Quando a energia for restaurada na bandeja do ventilador, encaixando o módulo na placa de apoio durante o hot swap ou ligando a energia do sistema após um cold swap, o LED Fan Status deverá ficar verde e você deverá poder sentir o fluxo de ar significante saindo das aberturas de ventilação do chassi em cada posição de ventilador.

Se todos os ventiladores estiverem funcionando, isso termina a parte crítica do tempo do procedimento de hot swap.

Se *um* dos ventiladores de uma bandeja recém-trocada não funcionar (LED Fan Status amarelo), aguarde no mínimo três minutos para os outros ventiladores esfriarem o chassi antes de tentar fazer outro hot swap.



CUIDADO: Se dois ou mais ventiladores da bandeja recém-trocada não funcionarem (LED Fan Status vermelho), desligue o Controlador W-6000, substitua a bandeja do ventilador e aguarde no mínimo cinco minutos para o Controlador W-6000 esfriar antes de ligá-lo novamente.

5. Fixe a bandeja do ventilador.

Use a chave de fenda para empurrar e apertar os parafusos de fixação na placa dianteira da bandeja do ventilador recém-instalada. Gire os parafusos no sentido horário até sentir uma resistência moderada, mas não aperte demais.

O Dell PowerConnect W-6000M3 é um módulo Controlador que permite hot swap para uso com um sistema de chassi do Controlador W-6000. O chassi do Controlador W-6000 é capaz de conter até quatro módulos, que podem ser configurados como mestre ou local. Para obter detalhes completos sobre o W-6000M3, incluindo instruções de instalação e opções de compatibilidade e configuração, consulte o *Guia de instalação do Dell PowerConnect W-6000M3*. Para obter detalhes sobre o gerenciamento de energia, consulte [“Gerenciamento de energia” na página 27](#).

Cada módulo Controlador W-6000M3 é capaz de suportar até 512 pontos de acesso conectados em campo com o uso de licenças de upgrade de ponto de acesso da Dell. Entre em contato com um representante de vendas da Dell para obter uma lista completa de licenças de software disponíveis.

Para obter informações sobre a instalação e a operação do módulo Controlador W-6000M3 Dell PowerConnect, consulte o *Guia de instalação do módulo Controlador PowerConnect W-6000M3* fornecido com cada módulo.

A fonte de alimentação do Controlador W-6000 Dell PowerConnect adapta a energia elétrica para o uso com o Controlador W-6000. O chassi W-6000 tem três slots que podem conter fontes de alimentação individuais para suportar o compartilhamento de carga e a tolerância a falhas.

Este capítulo descreve os recursos gerais e as características físicas da fonte de alimentação e informações de consumo de energia importantes. As seções finais do capítulo detalham as etapas necessárias para inserir e remover fontes de alimentação.

Recursos

Classificação

A fonte de alimentação Dell W-6000 (HW-PSU-400) tem potência nominal total de 400 W e tem variação automática para aceitar de 85 a 264 V CA (AC), a 50-60 Hz. Até três fontes de alimentação de 400 W podem ser instaladas no Controlador W-6000.

Compartilhamento de carga

O compartilhamento de carga ocorre quando mais de uma fonte de alimentação da mesma potência nominal é instalada no Controlador W-6000 e ativada. O compartilhamento de carga divide a carga de energia total do W-6000 entre todos os módulos de fonte de alimentação conectados. Como as fontes de alimentação funcionam juntas, a capacidade de energia efetiva do chassi aumenta com cada fonte de alimentação adicional.

Redundância

Quando várias fontes de alimentação são instaladas, se uma ficar indisponível (falhar, desligar ou for removida) as demais fontes de alimentação tentarão fornecer total alimentação para o Controlador W-6000. Se a carga de energia total não exceder a potência nominal combinada das demais fontes de alimentação operacionais, o W-6000 continuará a funcionar. Para obter mais informações sobre as configurações de fonte de alimentação, [“Gerenciamento de energia” na página 27](#).

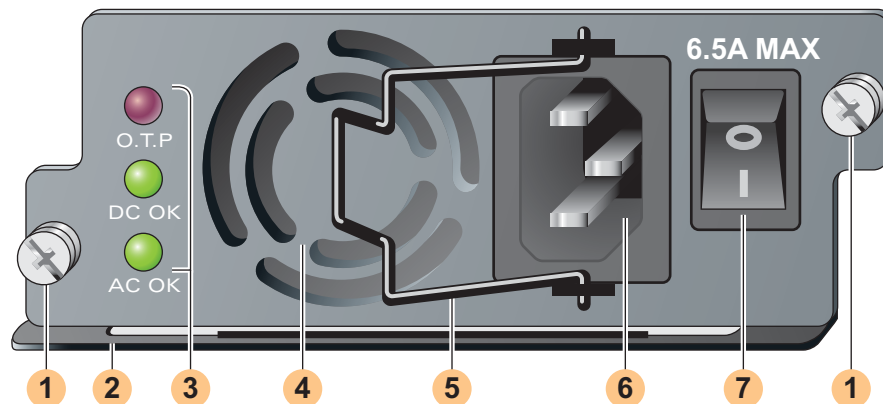
Hot swap

O procedimento de hot swap deve ser executado por técnicos treinados. O hot swap permite substituir uma fonte de alimentação com defeito enquanto as demais fornecem total alimentação. Isso torna desnecessário desligar o Controlador W-6000 durante o procedimento de substituição.

O hot swap exige que, depois de remover a fonte de alimentação alvo, a carga de energia total do chassi não exceda a potência nominal combinada das demais fontes de alimentação.

Descrição física

Figura 6 Fonte de alimentação de 400 W



- 1 Parafusos de fixação do módulo: esses dois parafusos de fixação cativos prendem a fonte de alimentação no chassi.
- 2 Alça do módulo: essa alça é usada para remover e inserir o módulo no chassi W-6000.



CUIDADO: Não use a alça da fonte de alimentação para levantar ou mover o Controlador W-6000. Isso pode provocar danos sérios.

- 3 LEDs indicadores

Tabela 5 LEDs da fonte de alimentação de 400 W

Nome do LED	Posição	Status	Descrição
O.T.P. (Proteção contra o aumento de temperatura)	Parte superior	Apagado	A temperatura da fonte de alimentação está normal.
		Vermelho	O ventilador da fonte de alimentação falhou ou a temperatura está muito alta.
DC OK	Meio	Verde	A saída de energia CC (DC) está normal.
		Vermelho	A saída de energia CC (DC) não está dentro da tolerância.
AC OK	Parte inferior	Verde	A entrada de energia CA (AC) está normal.
		Vermelho	A entrada de energia CA (AC) não está dentro da tolerância.



NOTA: Além dos LEDs, o status da fonte de alimentação pode ser conferido na CLI.

- 4 Abertura de entrada de ar: essa abertura de entrada de ar ajuda o ventilador interno resfriar a fonte de alimentação durante a operação. Para evitar o bloqueio, mantenha todo o material a no mínimo 10 cm de distância da abertura.
- 5 Braçadeira de retenção do cabo de alimentação: essa braçadeira é colocada em torno do cabo de alimentação depois de inserir o plugue na tomada de entrada de energia. Isso ajuda a evitar que o cabo de alimentação seja puxado por acidente.



CUIDADO: Não use a braçadeira de retenção do cabo de alimentação para remover o módulo da fonte de alimentação, nem para levantar ou mover o W-6000.

- 6 Tomada de entrada de energia: essa tomada de energia aceita cabos de alimentação com conectores IEC320 padrão. Para garantir a segurança e o desempenho adequados, o cabo deve ter potência nominal de 10 A e estar em conformidade com os padrões elétricos de aterramento do país em que o produto será usado.
- 7 Interruptor liga/desliga: o interruptor liga/desliga tem dois estados: desligado (●) e ligado (|).

Gerenciamento de energia

O Controlador W-6000 suporta até três fontes de alimentação de 400 W. Se estiver usando uma ou duas fontes de alimentação principal para 400 a 800 W de energia principal, o uso de uma fonte de alimentação redundante de 400 W é possível.

Para o planejamento da capacidade máxima, adicione o consumo máximo de energia necessário para todos os módulos na configuração do chassi para determinar o número necessário de fontes de alimentação.

Tabela de configuração da PSU e do módulo W-6000M3

A tabela a seguir exibe as configurações do módulo W-6000M3, bem como as configurações de fonte de alimentação e uso de energia resultantes.

Tabela 6 Configurações da fonte de alimentação e do módulo

Módulo	Número de unidades			
	1	2	3	4
Módulo Controlador W-6000M3 (130 W de consumo de energia máx. em cada)				
Consumo total de energia (W)	130	260	390	520
Número necessário de PSUs	1	1	1	2
Número redundante de PSUs	1 ou 2	1 ou 2	1 ou 2	1

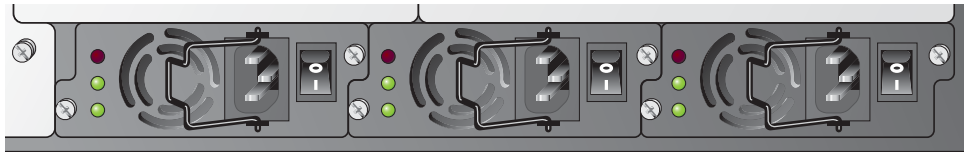
Como inserir uma fonte de alimentação



CUIDADO: Muitos reparos podem ser efetuados somente por um técnico de serviço certificado. Você deve efetuar apenas soluções de problemas e reparos simples conforme autorizado na documentação do produto, ou conforme instruído pela equipe de serviço e suporte on-line ou por telefone. Danos decorrentes de reparos não autorizados pela Dell não são cobertos pela garantia. Leia e siga as instruções de segurança fornecidas com o produto.

1. Verifique se você entendeu o procedimento e todas as precauções.
 - Antes de começar, leia o procedimento inteiro. Verifique se você entendeu todas as precauções dessas etapas, bem como das detalhadas em página 10.
2. Selecione um slot para a fonte de alimentação.
 - A fonte de alimentação de 400 W (HW-PSU-400) pode ser instalada em qualquer slot de fonte de alimentação e qualquer um desses slots pode ficar vazio. Ou seja, não há uma ordem específica de slots para fontes de alimentação.

Figura 7 Fontes de alimentação de 400 W instaladas



Se for substituir uma fonte de alimentação instalada anteriormente, consulte primeiramente [“Como remover uma fonte de alimentação” na página 29](#).

Se você for instalar uma fonte de alimentação em um slot vazio, remova o painel cego primeiro. Para fazer isso, use uma chave de fenda Phillips nº 2 ou de ponta cruzada. Gire os parafusos de fixação cativos na placa dianteira no sentido anti-horário até soltá-los (não os remova por completo). Remova a tampa e guarde-a em local seguro.

3. Verifique se o interruptor liga/desliga da fonte de alimentação a ser instalada está desligado (●).



CUIDADO: Nunca insira nem remova uma fonte de alimentação com seu interruptor liga/desliga na posição On (I) ou se o cabo de alimentação estiver conectado ao módulo da fonte de alimentação. Verifique se o interruptor liga/desliga está desligado (●) primeiro e se o cabo de alimentação está desconectado do módulo PSU W-6000.

4. Insira a fonte de alimentação no chassi.

Segure a fonte de alimentação pela alça do lado inferior, mantendo os LEDs do lado esquerdo e o interruptor liga/desliga no lado direito. Não use a braçadeira de retenção do cabo de alimentação para inserir ou remover a fonte de alimentação. Alinhe a parte posterior do módulo com os trilhos-guia do slot de fonte de alimentação do chassi e deslize-o cuidadosamente em direção à placa de apoio. Não force o módulo; ele deve deslizar facilmente a maior parte do caminho. Pode haver uma leve resistência quando a fonte de alimentação encontra os conectores da parte posterior do chassi. Pressione com firmeza para encaixar os conectores, mas não use força excessiva.

5. Prenda a fonte de alimentação.

Use a chave de fenda para empurrar os parafusos de fixação cativos do módulo e gire-os no sentido horário até sentir uma leve resistência. Não os aperte demais.

6. Conecte o cabo de alimentação à fonte de alimentação.



NOTA: Gire a braçadeira de retenção do cabo para a esquerda antes de conectar o cabo de alimentação.

Conecte um cabo de alimentação apropriado a uma tomada de entrada de energia. A tomada aceita um cabo de alimentação com um plugue IEC320 padrão.

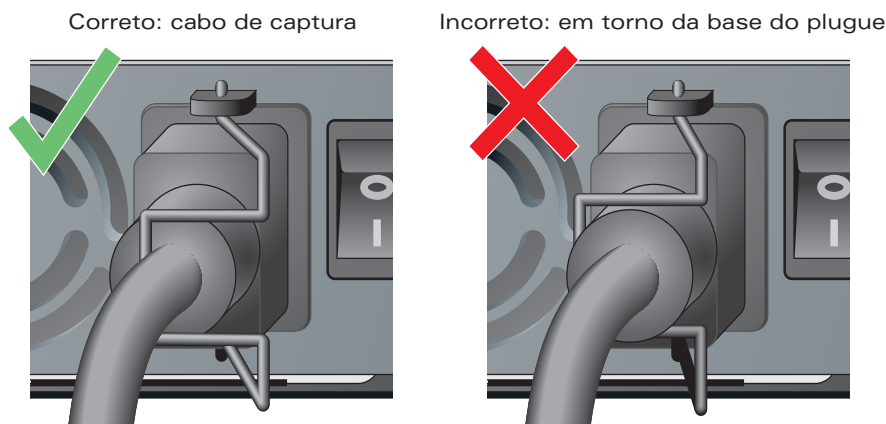


CUIDADO: Para garantir a segurança e o desempenho adequados, o cabo de alimentação deve ter potência nominal de 10 A e estar em conformidade com os padrões elétricos de aterramento do país em que o produto será usado.

7. Prenda o cabo de alimentação.

Quando o cabo de alimentação for conectado, gire a braçadeira de retenção para a direita conforme ilustrado na [Figura 8 na página 29](#). Isso prenderá o plugue no lugar e ajudará a evitar sua remoção por acidente.

Figura 8 Usando a braçadeira de retenção do cabo de alimentação



8. Conecte o cabo de alimentação a uma tomada elétrica adequada.

Verifique se o sistema elétrico do local pode suportar a carga de energia do W-6000.

- Cada fonte de alimentação (HW-PSU-400) tem potência nominal total de 400 W e tem variação automática para aceitar de 85 a 264 V CA (AC), a 50-60 Hz.

Dependendo da carga de energia total do W-6000, talvez seja necessário aumentar a capacidade do sistema elétrico do local. Consulte [“Gerenciamento de energia” na página 27](#) para obter detalhes.



CUIDADO: Por motivos de segurança, verifique se as tomadas de energia e os plugues são de fácil acesso para o operador e se podem ser desconectados facilmente se necessário.



NOTA: O uso de um condicionador de linha de força ou no-break pode reduzir ou eliminar os problemas causados por oscilações do fornecimento de energia. Verifique se a saída do dispositivo modulador de energia é compatível com as fontes de alimentação Controlador W-6000.

Como remover uma fonte de alimentação



CUIDADO: Muitos reparos podem ser efetuados somente por um técnico de serviço certificado. Você deve efetuar apenas soluções de problemas e reparos simples conforme autorizado na documentação do produto, ou conforme instruído pela equipe de serviço e suporte on-line ou por telefone. Danos decorrentes de reparos não autorizados pela Dell não são cobertos pela garantia. Leia e siga as instruções de segurança fornecidas com o produto.

1. Verifique se você entendeu o procedimento e todas as precauções.

Antes de começar, leia o procedimento inteiro. Verifique se você entendeu todas as precauções dessas etapas, bem como das detalhadas em página 10.

2. Verifique se o interruptor liga/desliga da fonte de alimentação a ser removida está na posição Off (●).



CUIDADO: Nunca insira ou remova uma fonte de alimentação enquanto seu interruptor liga/desliga estiver na posição On (I). Verifique se o interruptor liga/desliga está desligado (●) primeiro.

3. Desconecte a fonte de alimentação a ser removida.

Se estiver usando a braçadeira de retenção do cabo de alimentação, gire-a para a esquerda primeiro para liberar o plugue. Em seguida, remova o plugue.

4. Remova a fonte de alimentação.

Use uma chave de fenda Phillips nº 2 ou de ponta cruzada para girar os parafusos de fixação cativos da fonte de alimentação no sentido anti-horário até soltá-los (não os remova por completo). Segure com firmeza a alça da fonte de alimentação e puxe o módulo do chassi com cuidado.

5. Cubra os slots vazios.

Por motivos de segurança, e para promover o fluxo de ar adequado para resfriar e evitar a entrada de poeira no chassi, cubra os slots não ocupados com um painel cego.

Física

Tabela 7 *Especificações físicas*

Item	Medida
Tamanho	Altura = 14,9 cm (5,85 pol) Largura = 44,2 cm (17,4 pol) Profundidade = 31,8 cm (12,5 pol)
Peso	26,5 kg (58 lbs.) máximo 6,3 kg (13,9 lbs.) chassi e bandeja do ventilador 4,4 kg (9,6 lbs.) cada fonte de alimentação

Ambiental

Tabela 8 *Especificações ambientais*

Item	Medida
Temperatura	Operacional: 0 a 40 °C (32 a 104 °F) Armazenamento: 0 a 50 °C (32 a 122 °F) Alarme de risco moderado: 40 °C Alarme de risco alto: 50 °C Alarme de risco crítico: 60 °C
Umidade	5% a 95% (sem condensação)
Altitude	3.048 m (10.000 pés), máximo

Operacional

Tabela 9 *Especificações operacionais*

Item	Medida
Fontes de alimentação	Modelo HW-PSU-400— Entrada: 85-264 V CA (AC), 50-60 Hz Saída: 48 V, 8 A
Consumo de energia	460 W (por fonte de alimentação), máximo
Gerenciamento de rede	Interface de navegador da Web HTML
Padrões	IEEE 802.1x, IEEE 802.3 10BASE-T, IEEE 802.3u 100BASE-TX, IEEE 802.3ab 1000BASE-T, IEEE 802.3z 1000BASE-SX

Conformidade

Interferência eletromagnética

Estados Unidos

FCC Classe A

Este equipamento foi testado e considerado em conformidade com os limites estabelecidos para dispositivos digitais de classe A, de acordo com a parte 15 das normas da FCC. Esses limites foram estabelecidos para garantir uma proteção razoável contra interferência prejudicial quando o equipamento for operado em ambientes comerciais. Este equipamento gera, usa e pode radiar energia de radiofrequência e, se não instalado e utilizado de acordo com o manual de instruções, pode causar interferência prejudicial às comunicações de rádio. A operação deste equipamento em área residencial pode causar interferência prejudicial, em que o usuário deverá corrigir a interferência por conta própria.

Qualquer alteração ou modificação não aprovada expressamente pela parte responsável pela conformidade pode anular a autoridade do usuário para operar este equipamento.

Este produto está em conformidade com a parte 15 das normas da FCC. O funcionamento está sujeito às duas condições a seguir: (1) este dispositivo não deve causar interferência prejudicial e, (2) este dispositivo deve aceitar qualquer interferência, incluindo aquela que pode causar o funcionamento indesejado do dispositivo.

Canadá

Este aparelho digital não excede os limites da classe A para emissões de ruído de rádio de aparelhos digitais conforme estabelecido na norma para equipamentos que causam interferência intitulado “Digital Apparatus” (Aparelhos digitais) da ICES-003 do departamento de comunicações canadense.

Cet appareil numérique respecte les limites de bruits radioélectriques applicables aux appareils numériques de Classe A prescrites dans la norme sur le matériel brouilleur: “Appareils Numériques,” NMB-003 édictée par le ministère des Communications.

Japão

VCCI - Classe A

この装置は、情報処理装置等電波障害自主規制協議会（VCCI）の基準に基づくクラスA情報技術装置です。この装置を家庭環境で使用すると電波妨害を引き起こすことがあります。この場合には使用者が適切な対策を講ずるよう要求されることがあります。

This device complies with Part 15 of the FCC Rules. Operation is subject to the following two conditions: (1) this device may not cause harmful interference, and (2) this device must accept any interference received, including interference that may cause undesired operation.

This Class A digital apparatus complies with Canadian ICES-003.
Cet appareil numérique de la classe A est conforme à la norme NMB-003 du Canada.

Apparatet må tilkoples jordet stikkontakt.

Laite on liitettävä suojamaadoituskoskettimilla varustettuun pistorasiaan.

この装置は、クラス A 情報技術装置です。この装置を家庭環境で使用すると電波妨害を引き起こすことがあります。この場合には使用者が適切な対策を講ずるよう要求されることがあります。

VCCI-A

Europa



AVISO: Este é um produto da Classe A. Em um ambiente doméstico, este produto pode causar interferência de rádio, em que o usuário deve tomar as devidas providências.

Este produto está em conformidade com as normas EN55022 Classe A e EN55024.

Segurança

Aviso sobre baterias de lítio

Este produto contém uma bateria de lítio que pode ser substituída somente por um técnico treinado.



CUIDADO: A bateria de lítio pode explodir se for substituída incorretamente. Um técnico treinado deve substituir a bateria por outra igual ou equivalente recomendada pelo fabricante. Descarte as baterias usadas de acordo com as instruções do fabricante.

Aviso sobre laser

O módulo Controlador W-6000M3 Dell PowerConnect usado com este produto usa módulos transceptores a laser em algumas portas.



CUIDADO: O uso de controles ou ajustes de desempenho ou procedimentos diferentes daqueles especificados neste manual pode resultar na exposição à radiação perigosa.

Este produto está em conformidade com a norma 21 CFR, capítulo 1, subcapítulo J, parte 1040.10, e com a norma IEC 60825-1: 1993, A1: 1997, A2: 2001, IEC 60825-2: 2000.

Para garantir a continuidade da conformidade com as normas de segurança para produtos com laser, somente módulos da classe 1 aprovados de nossos fornecedores autorizados devem ser instalados no produto.

Dell PowerConnect W-6000 denetleyici Kurulum Kılavuzu



Telif Hakkı

© 2011 Aruba Networks, Inc. AirWave®, Aruba Networks®, Aruba Mobility Management System®, ve diğer tescilli markalar Aruba Networks, Inc.'nin ticari markalarıdır. Dell™, DELL™ logosu ve PowerConnect™ Dell Inc.'nin ticari markalarıdır.

Her hakkı saklıdır. Bu el kitabındaki spesifikasyonlar haber verilmeksizin değiştirilebilir.

Menşei ABD'dir. Bu el kitabında geçen diğer tüm ticari markalar ilgili şirketlerin kendi mülkiyetindedir.

Açık Kaynak Kodu

Belli başlı Aruba ürünleri, GNU Genel Kamu Lisansı (GPL), GNU Kısıtlı Genel Kamu Lisansı (LGPL) veya diğer Açık Kaynak Lisanslarına tabi yazılım kodları dahil olmak üzere, üçüncü taraflarca geliştirilmiş Açık Kaynak yazılım kodları içerir. Açık Kaynak koduna şu siteden ulaşılabilir:

http://www.arubanetworks.com/open_source

Yasal Uyarı

Aruba Networks, Inc. anahtarlama platformları ve yazılımlarının herhangi bir birey veya şirket tarafından başka satıcıların VPN istemci cihazlarını sonlandırmak amacıyla kullanılması eyleminden doğacak sorumluluk tamamıyla ilgili birey veya şirketin kendisine aittir ve bu eylemde bulunan birey veya şirket, ilgili satıcılar adına telif hakkı ihlalinin dolaylı Aruba Networks, Inc. aleyhine açılacak her türlü hukuk davası bakımından tam tazmin yükümlülüğü altında olacaktır.

Önsöz	5
Bu El Kitabına Genel Bakış	5
İlgili Belgeler	5
Metin Kuralları	5
Destek İletişimi	6
Bölüm 1 Sisteme Genel Bakış	7
Özellikler	7
Fiziksel Tarif	7
Bölüm 2 Kasanın Kurulumu	9
Kurulum Öncesi Kontrol Listesi	9
Önlemler	10
Gereklilikler	10
Asgari Yapılandırma	10
Rafa Montaj Kiti	10
Konum Seçme	11
Kasanın Rafa Montajı	12
W-6000M3 Denetleyici Modüllerinin Eklenmesi	13
Bağlantı Gücü	14
Bölüm 3 Kurulumun Doğrulanması	15
Bölüm 4 Fan Tepsisi	17
Özellikler	17
Yerleşik Artıklık	17
Çalışırken Değiştirebilme	17
Fiziksel Tarif	17
Fan Tepsisi Değişimi	19
Yeni Fan Tepsisinin Hazırlanması	19
Eski Fan Tepsisinin Sökülmesi	19
Yeni Fan Tepsisinin Yerine Takılması	19
Bölüm 5 Dell PowerConnect W-6000M3	21
Bölüm 6 W-6000 Güç Kaynağı Modülü	23
Özellikler	23
Değerlendirme	23
Yük Paylaşımı	23
Artıklık	23
Çalışırken Değiştirebilme	23
Fiziksel Tarif	24
Güç Yönetimi	25
W-6000M3 Modülü ve PSU Yapılandırma Tablosu	25

Güç Kaynağının Yerine Takılması.....	25
Güç Kaynağının Çıkarılması.....	27
Bölüm 7	
Spesifikasyonlar.....	29
Fiziksel	29
Çevresel	29
Çalışır durumda	29
Uygunluk.....	30
Elektromanyetik Enterferans.....	30
Birleşik Devletler.....	30
Kanada	30
Japonya	30
Avrupa	31
Güvenlik	31
Lityum Pille İlgili Bildirim.....	31
Lazerle İlgili Bildirim.....	31

Önsöz şu bilgileri içerir:

- Bu el kitabının bölümlerine genel bakış
- Daha ayrıntılı bilgi edinmek için okunabilecek belgelerin listesi
- Bu el kitabında kullanılan çeşitli metin kurallarını açıklayan bir anahtar
- Dell destek ve servis bilgileri

Bu El Kitabına Genel Bakış

Bu el kitabı, Dell PowerConnect W-6000 denetleyicinin kurulumunu yapmaktan sorumlu olan eğitimli teknisyenlere yöneliktir. El kitabının düzeni aşağıdaki gibidir:

- Dell PowerConnect W-6000 Denetleyici Kasası
Bölüm 1, 2 ve 3'te, W-6000 denetleyici tanıtılmakta ve kasa montajı, güç bağlantıları ve başlangıçtaki güç açma testlerine ilişkin talimatlar sunulmaktadır.
- Dell PowerConnect W-6000M3 Denetleyici Modülleri
Bölüm 4, 5 ve 6'da, belirli bir modüle odaklanılmakta ve öğenin tek başına kurulumu veya değiştirilmesine ilişkin talimatlar sunulmaktadır.
- Ek

İlgili Belgeler

Aşağıdaki öğeler, Dell sistemine ait belgeler toplamı içinde yer almaktadır:

- *Dell PowerConnect W-6000 Denetleyici Kurulum Kılavuzu* (bu el kitabı)
- *Dell PowerConnect ArubaOS Kullanım Kılavuzu*
- *Dell PowerConnect W-AP Kurulum Kılavuzu*

Metin Kuralları

Bu el kitabı boyunca önemli kavramları vurgulamak için aşağıdaki kurallardan yararlanılmaktadır:

Tablo 1 *Metin Kuralları*

<i>İtalik</i>	Bu stilin kullanım amacı, önemli terimleri vurgulamak ve kitap başlıklarını işaretlemektir.
Sistem öğeleri	Sabit genişlikli yazı tipi şunları göstermektedir: <ul style="list-style-type: none">• Örnek ekran çıktısı• Sistem komut istemleri• Metin içinde belirtilen dosya adları, yazılım cihazları ve belirli komutlar

Tablo 1 *Metin Kuralları*

Komutlar	
Komutlar	Komut örneklerinde, bu kalın yazı tipi, kullanıcının aynen gösterildiği gibi yazması gereken metni gösterir.
<Arguments>	Komut örneklerinde, açılı ayraçlar içindeki italik metin, kullanıcının kendi özel durumuna uygun bilgiyle değiştirmesi gereken öğeleri temsil eder. Örnek: <pre># send <metin mesajı></pre> Bu örnekte, kullanıcı, sistem komut istemine "send" ifadesini aynen gösterildiği gibi yazacak ve arkasına göndermek istediği metin mesajını ekleyecektir. Açılı ayraçları yazmayın.
[Optional]	Bu komut örneklerinde, ayraçlar içinde yer alan öğeler isteğe bağlıdır. Ayraçları yazmayın.
{ Item A Item B }	Komut örneklerinde, kaşlı ayraçlar içinde bulunan ve bir dikey çubukla ayrılan öğeler kullanılacak seçenekleri temsil eder. Yalnızca bir seçenek girin. Kaşlı ayraçları veya çubukları yazmayın.

Destek İletişimi

Tablo 2 *Dell İletişim Bilgileri*

Web Sitesi	
Ana Web Sitesi	dell.com
Destek Web Sitesi	support.dell.com
Belge Web Sitesi	support.dell.com/manuals

Dell PowerConnect W-6000 denetleyici, Erişim Noktalarını (AP'ler) ve Hava İzleme Aygıtlarını (AM'ler) bağlayan, denetleyen ve kablolu LAN'a akıllı bir şekilde entegre eden kurumsal sınıf, modüler bir kasadır.

Bu bölümde, size W-6000 denetleyici tanıtılmaktadır. Modüler sistemin genel özellikleri açıklanmakta ve temel fiziksel öğeler resmedilmektedir. Sistemi tanıdıktan sonra, bir sonraki bölümde anlatılan kurulum işlemine başlayabilirsiniz.

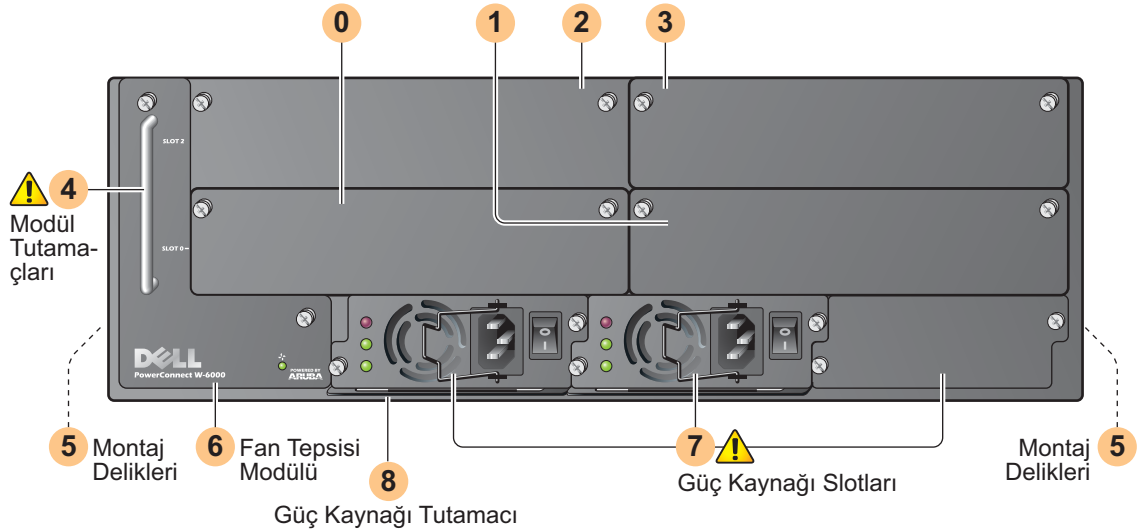
Özellikler

Bu bölümde W-6000 denetleyici'nin donanım özellikleri açıklanmaktadır.

- Yüksek hızlı Katman 2/Katman 3 paket iletim özelliğine sahip 10/100/1000 Mbps ve 10 Gbps Ethernet anahtarı.
- Yüksek performanslı paket işleme özelliği, yük dengeleme, hız sınırlandırma, kendi kendine düzelme, kalibrasyon, kimlik doğrulama, mobilite, güvenlik ve merkezi takip ve yapılandırma gibi katma değerli kablosuz hizmetleri sağlamaktadır.
- Üç üniteli kasa, standart bir 19 inç'lik telekom veya sunuc rafına monte edilebilir.
- Modüler, slot tabanlı kasa, ağ genişletme ve bozulmaya dayanıklılık sunmaktadır.
 - En fazla 4 adet Dell PowerConnect W-6000M3 modülü
 - Artıklık için yük paylaşımı işlevine sahip en fazla 3 adet çalışırken değiştirilebilir güç kaynağı
 - Artıklık için üç bağımsız fan içeren fan tepsisi

Fiziksel Tarif

Şekil 1 Dell PowerConnect W-6000 denetleyici



- 0 Slot 0: Bu slot, gereken Dell PowerConnect W-6000M3 Denetleyici Modülü içindir.
- 1 Slot 1: Bu slot, ek W-6000M3 modülü içindir.
- 2 Slot 2: Bu slot, ek W-6000M3 modülü içindir.

- 3 Slot 3: Bu slot, ek W-6000M3 modülü içindir.
- 4 Modül Tutamaçları: Tüm modül tutamaçları yalnızca bağımsız modüllerin çıkarılması ve takılması için kullanılır.



DİKKAT: Modül tutamaçlarını asla W-6000 denetleyici kasasını kaldırmak veya taşımak için kullanmayın. Tutamaçların kasayı desteklemek için kullanılması, hem modüle hem de kasaya ciddi hasar verebilir.

- 5 Rafa montaj braketlerini tutturmaya yarayan delikler (yanda)
- 6 Fan Tepsisi Modülü: W-6000 denetleyici, fan tepsisi tarafından kasadan çekilen havayla soğutulur. Fan tepsisi, kurulu modüller boyunca havayı sağdan sola çeker (kasanın önünden görülebildiği gibi).
Çalışma sırasında, kablolar veya montaj ekipmanı, kasanın sol ve sağ yanlarındaki hava menfezlerinin önünü kapatmamalıdır. Doğru hava sirkülasyonu için, kasanın sol ve sağ tarafında en az 10 cm'lik (4 inç) açıklık bırakın.
- 7 Güç Kaynağı Slotları: Kasa üzerinde en fazla üç güç kaynağına yetecek slotlar bulunmaktadır. Sisteminiz için gereken güç kaynaklarının sayısı, kurulu olan W-6000M3 Denetleyici Modüllerinin sayısına ve artık güç kaynağı eklemek isteyip istememenize bağlıdır. Daha fazla bilgi için bkz. "[Güç Yönetimi](#)", sayfa 25.

Her güç kaynağı kendi güç kablosu ve güç düğmesine sahiptir.



DİKKAT: Güç kaynağının güç düğmesi On (Açık) konumundayken veya güç kablosu fişi takılıyken asla güç kaynağını takmayın veya çıkarmayın. Öncelikle güç düğmesinin Off (Kapalı) konumunda olduğunu ve kablo fişinin takılı olmadığını doğrulayın.



DİKKAT: Dell W-6000 denetleyici ve bileşenlerine dokunurken uygun Elektrostatik Deşarj (ESD) önlemlerine uyduğunuzdan emin olun.

- 8 Güç Kaynağı Tutamacı: Güç kaynağını çıkarmak veya takmak için bu tutamacı kullanın.



DİKKAT: Kurulum eğitimli bir teknisyen tarafından yapılmalıdır.

Bu bölüm, kurulumla ilgili şu konuları kapsamaktadır:

- Kurulum sırasında uyulacak önlemler
- W-6000 denetleyici bileşenleri ve rafa montaj takımıyla ilgili gereklilikler
- W-6000 denetleyici için uygun ortam seçimi
- W-6000 denetleyicinin rafa montajı
- W-6000 denetleyiciye gücün bağlanması

Kurulum Öncesi Kontrol Listesi

Kurulum sırasında şunlara ihtiyacınız olacaktır:

- Dell PowerConnect W-6000 Denetleyici
- Dell PowerConnect W-6000 Denetleyici rafa montaj donanımı (dahildir)
- Phillips veya yıldız tornavida
- 19 inç'lik ekipman rafı veya eşdeğeri
- Rafın solunda, sağında, önünde ve arkasında 10 cm'lik (4 inç) açıklık olmak üzere 3 ünitelik raf alanı
- W-6000 denetleyiciyi konumlandırmaya yardımcı olacak bir kişi daha.
- Her güç kaynağı için bir güç kablosu, IEC320 konektör ile en az 10 A değerinde
- Yeterli güç kaynağı ve elektrik gücü (bkz. "[Güç Yönetimi](#)", sayfa 25)
- Serin, yoğunlaşmayan hava 0 ila 40 °C: iklimleme gerekebilir
- RJ-45 veya DB-9 seri portuna sahip konsol terminali
- RJ-45 erkek konektörlere sahip RS-232 seri kablo
- DB-9 ile konsola bağlantı için seri bağdaştırıcı (dahildir)

Önlemler

DİKKAT: Güç Kaynağı Modülü bir elektrik prizine bağlı olduğunda her zaman 240 VAC'yi aşan tehlikeli gerilim mevcuttur. Bu ürünle çalışırken tüm yüzükleri, takıları ve potansiyel olarak iletken materyalleri çıkarın.

Güç kaynakları kapalı, fişi çıkarılmış veya sökülmüş durumda olduğunda dahi hiçbir zaman kasaya, güç kaynağına veya başka herhangi bir bileşene yabancı nesnelere sokmayın.

W-6000 denetleyicinin ana güç bağlantısını tamamen kesmek için tüm kurulu güç kaynaklarının güç kabloları prizlerinden çıkarılmalıdır. Güvenlik açısından, güç priz ve fişlerinin operatörün kolayca erişebileceği bir yerde olduğunu doğrulayın.

Yalıtılmıř olmayan elektrik kablolarını tutmayın. Buna ađ kabloları da dahildir.

Elektriksel tehlikeyi en aza indirmek için, su ve diđer akıřkanları üründen uzak tutun.



Ürünün kurulum ve çalışmasının her safhasında elektriksel topraklama standartlarına uyun. W-6000 denetleyici kasası, ađ portları, güç kaynakları veya montaj braketlerinin, farklı bir elektriksel toprađa bađlı herhangi bir cihaz, kablo, nesne veya kiřiyle temasına izin vermeyin. Ayrıca, hiçbir zaman cihazı harici fırtına topraklama kaynaklarına bađlamayın.

Kasanın veya herhangi bir modülün kurulum ya da sökme işlemi statik elektriksiz bir ortamda yapılmalıdır. Anti-statik gövde kayıř ve altlıklarının uygun kullanımı řiddetle tavsiye edilmektedir.

Modüller kasa içine takılmadıkları sürece anti-statik ambalajda tutulmalıdır.

Bu ürün, güçlü elektromanyetik, elektrostatik, manyetik veya radyoaktif alanların yakınına nakledilmemeli/saklanmamalıdır.

Kasayı veya herhangi bir modülü parçalarına ayırmayın. Bunlar, kullanıcıların servis işlemi uygulayabileceđi parçalar içermemektedir. Servis veya tamir gerektiğinde, bkz. "Destek İletişimi", sayfa 6.

Gereklilikler

Asgari Yapılandırma

Bir Dell PowerConnect W-6000 Denetleyici, řu temel bileşenleri içermelidir:

- Bir W-6000 denetleyici kasası
- Bir fan tepsisi
- Slot 0'da bir W-6000M3 Denetleyici Modülü (ayrıca satın alınır)
- En az iki adet 400W kapasiteli güç kaynađı



NOT: Gerekli güç kaynađı sayısı, kasaya takılan W-6000M3 Denetleyici Modüllerinin sayısına bađlıdır (bkz. "Güç Yönetimi", sayfa 25).

W-6000 denetleyici, gerekli tüm güç kaynađı ve fan tepsisi modülleri takılmış olarak gönderilir. Kasayı bu bölümde anlatıldıđı gibi kurun ve ardından her bir ek modülü kurmayla ilgili talimatlar için bu kılavuzun ilerleyen bölümlerine bakın.

Rafa Montaj Kiti

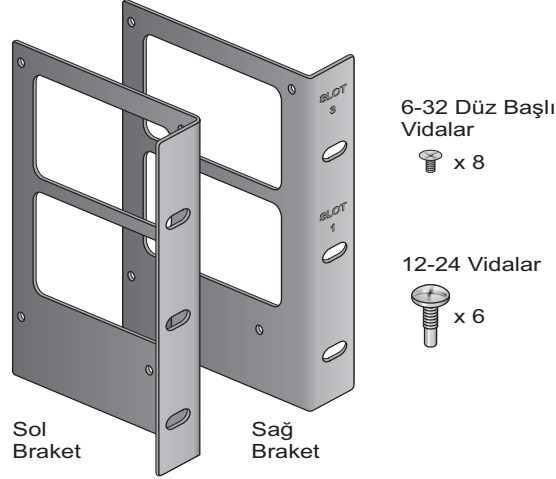
Ürüne dahil olan rafa montaj kiti kullanılarak, W-6000 denetleyici standart bir 19 inç'lik Telekom ađ ekipmanı rafına monte edilebilir. Rafa montaj kiti řu parçalardan oluşur:

- 6-32 x 1/4" Phillips Bařlı Vida (6x, dahildir)
- 12-24 x 5/8" Phillips Bařlı Vida (4x, dahildir)

Ayrıca, W-6000 denetleyici 19 inç'lik bir sunucu rafına da kurulabilir. Sunucu rafına kurulum, ürüne dahil olan şu öğeleri gerektirir:

- 6-32 x 1/4" Phillips Başlı Vida (6x, dahildir)
- M6 x 20mm Phillips Başlı Vida (4x, dahildir)
- M6 Kafes Somunları (4x, dahildir) veya M6 Kafes Klipsleri (4x, dahildir)

Şekil 2 Rafa Montaj Donanımı (Telekom Kiti Gösterilmektedir)



NOT: Altı adet 12-24 vidanın görevi, kasayı rafa sabitlemektir. Bazı raflar için ürüne dahil olmayan farklı vidalar gerekmektedir. Kasayı monte etmeye geçmeden önce raf sisteminize uygun vidalar veya tutturuculara sahip olduğunuzu doğrulayın.

Konum Seçme

W-6000 denetleyici için, diğer ağ ve bilişim cihazları için olduğu gibi, “elektronik dostu” bir ortam gerekmektedir.

- Güvenilir güç
Elektrik prizinizin, toplam 400 W değerinde olan ve 50 ila 60 Hz'de 85 ila 264 VAC'yi kabul edebilmek için otomatik aralık ölçümü yapabilen W-6000 denetleyici (HW-PSU-400) güç kaynağı ile uyumlu olduğunu doğrulayın.
Güç kablolarını 10 A değerinde ve ürünün çalıştırıldığı ülkedeki topraklı elektriksel standartlara uygun olmalıdır.
Bir güç hattı koşullayıcısı veya Kesintisiz Güç Kaynağının (UPS) kullanılması, elektrik hizmetindeki dalgalanmaların neden olduğu sorunları azaltabilir veya hafifletebilir. Yukarıdaki bilgilere dayalı olarak, herhangi bir güç şekillendirme cihazının çıkışının W-6000 denetleyici güç kaynaklarıyla uyumlu olduğunu doğrulayın.
- Serin, yoğunlaşmayan havalandırma
Düzgün çalışma için, W-6000 denetleyici, çevreleyen hava sıcaklığının 0 ile 40 °C arasında olduğu bir ortam gerektirir. Nem, %5 ile 95 arasında yoğunlaşmayan seviyelerde tutulmalıdır.
Çok sayıda elektrikli cihazın aynı alanda çalıştığı durumlarda, ek iklimleme veya hava sirkülasyon ekipmanı gerekebilir.
- Boş alan
Doğru hava sirkülasyonu için, kasanın sol, sağ, ön ve arkasındaki havalandırma delikleri için en az 10 cm'lik açıklık bırakın.
Güç kablolarına, ağ kablolarına ve gösterge LED'lerine erişebilmek için kasanın önünde fazladan boş alan bırakın.

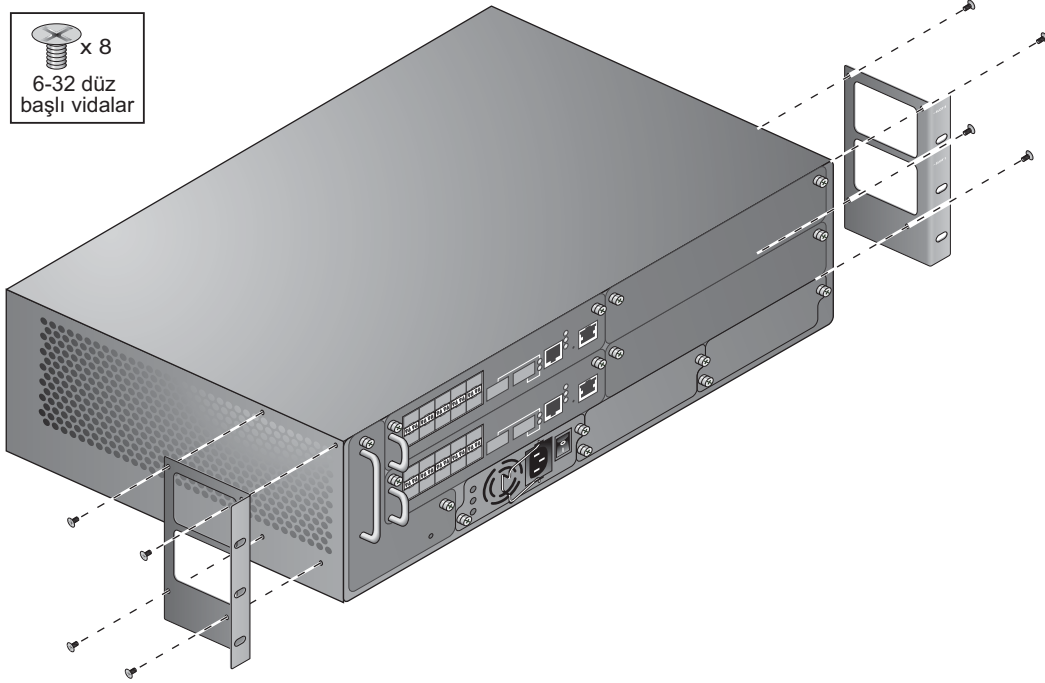
- Sınırlı elektromanyetik enterferans

En iyi çalışma için, W-6000 denetleyiciyi ve tüm kabloları floresan ışık aramtürlerinden en az 0,7 metre ve fotokopi makineleri, radyo vericileri, elektrik jeneratörleri ve diğer güçlü elektromanyetik enterferans kaynaklarından 2 metre uzakta tutun.

Kasanın Rafa Montajı

1. Raf ortamınızın gereklilikleri karşıladığından emin olun (bkz. “Konum Seçme”, sayfa 11).
2. Rafa montaj braketlerini [sayfa 12, Şekil 3](#)'te gösterildiği gibi kasaya tutturun.

Şekil 3 Rafa Montaj Braketlerinin Tuturulması



1 ve 3 slot numaralı braket W-6000 denetleyici kasasının sağ tarafı içindir. Her iki braketin yönünü de dar olan flanş öne bakacak şekilde ayarlayın. Doğru yerleştirildiğinde, braketin geniş dikdörtgen boşlukları, çalışma sırasında düzgün hava akışına olanak tanımak için yan havalandırma deliklerinin üzerine gelecektir.

Her bir braketi dört adet 6-32 düz başlı vida (dahildir) yardımıyla sağlam bir şekilde tutturmak için bir Phillips veya yıldız tornavida kullanın.

3. W-6000 denetleyiciyi rafa monte edin.



DİKKAT: Kişisel yaralanmalar veya ekipmana hasar gelmesini önlemek için W-6000 denetleyiciyi kaldırma ve konumlandırma konusunda yardım alın. Ayrıca, W-6000 denetleyiciyi hiçbir zaman dengesizlik veya düzensiz mekanik yükün oluşabileceği durumlarda kurmayın.



NOT: Düzgün çalışma için, W-6000 denetleyici, çevreleyen hava sıcaklığının 0 ile 40 °C arasında olmasını gerektirir. Raf ortamınızın uygun olduğunu doğrulayın.

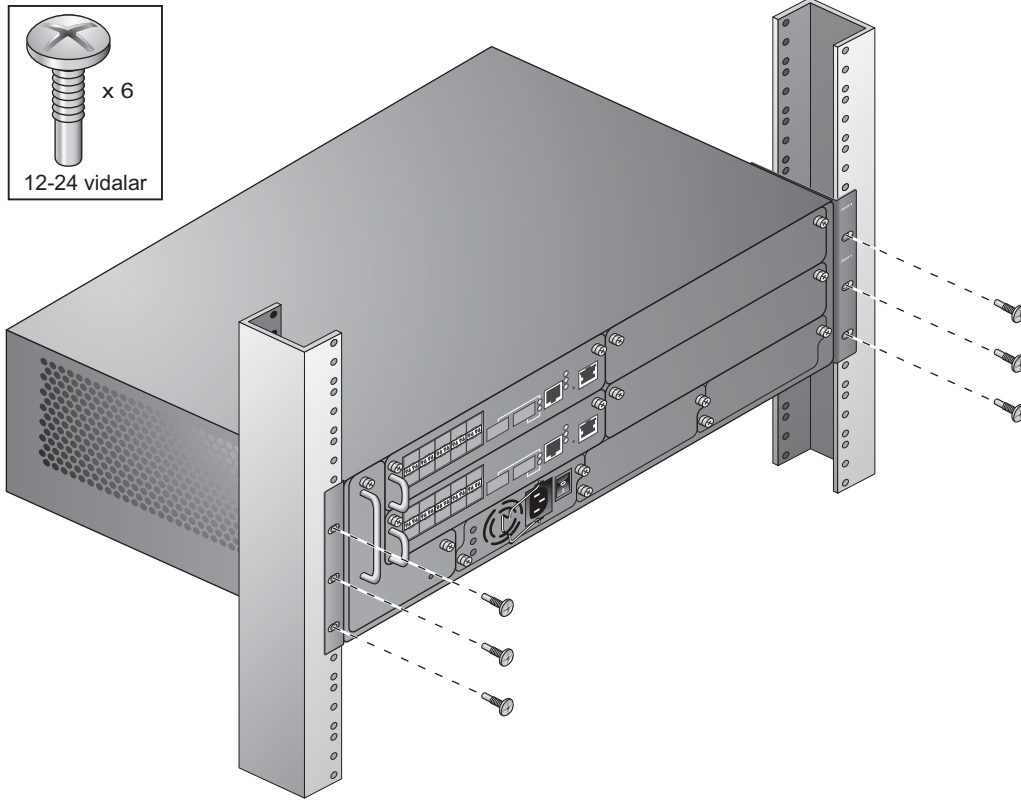
Bu cihazı bir sunucu rafına monte edecekseniz, öncelikle kafes somunlarını/klipsleri takın. Kafes somunlarını/klipsleri takmak için aşağıdaki adımları izleyin:

- a. Kafesin alt kenarını rafın arkasında bulunan kare şeklindeki açıklığın üzerinden geçirerek başlayın.

- b. Kafes somunu kurulum aracının küçük ucunu raftaki açıklıktan (önden) geçirin ve aracı kafes somununun üst kenarına asın.
- c. Kafes somununun üst kenarı yerine geçinceye kadar, aracı yukarı doğru döndürüp bir yandan kendinize doğru geri çekerken kafes somununun rafa doğru içeri bastırın.
- d. W-6000 denetleyiciyi normal şekilde kurmaya devam edin.

Kasayı ekipman rafı içinde konumlandırın ve braketin montaj deliklerini raf yapımızdaki uygun deliklerle aynı hizaya getirin.

Şekil 4 W-6000 denetleyicinin Monte Edilmesi



Kasayı rafa sabitlemek için montaj braketini başına üç adet 12-24 vidayı (telekom rafı için) veya üç adet M6 x 20 mm vidayı (sunucu rafı için) Phillips veya yıldız tomavida yardımıyla sıkın.



NOT: Bazı dolaplar için ürüne dahil olmayan farklı vidalar gerekmektedir. Raf sisteminize uygun vidalar veya tutturucular kullandığınızı doğrulayın.

W-6000M3 Denetleyici Modüllerinin Eklenmesi

Modülleriniz kasadan ayrı olarak elinize ulaştıysa veya sistemi ek modüllerle genişletmek istiyorsanız, her bir modülün kurulumuyla ilgili özel talimatlar için bu kılavuzun ilerleyen bölümlerine bakın.



NOT: Modül eklemek toplam güç yükünü artırır. Kurulan modüllere bağlı olarak, kasaya güç kaynakları eklemeniz ve/veya sahanızın elektrik sistemlerinin kapasitesini artırmamız gerekebilir. Ayrıntılar için bkz. "Güç Yönetimi", sayfa 25.

Bağlantı Gücü



DİKKAT: Bu prosedür eğitimli bir teknisyen tarafından uygulanmalıdır.

1. Prosedürü ve tüm önlemleri anladığınızı doğrulayın.

Başlamadan önce bütün prosedürü okuyun. Bu adımlardaki ve aynı zamanda sayfa 10'deki tüm önlemleri anladığınızı doğrulayın.

2. Kurulu güç kaynaklarının güç yükünü kaldırabileceğini doğrulayın.

W-6000 denetleyiciniz için gereken güç kaynaklarının sayısı W-6000M3 Denetleyici kurulu olan modüllerin sayısına bağlıdır. Ayrıntılar için bkz. "[Güç Yönetimi](#)", sayfa 25.

3. Sahanızın elektrik sistemlerinin W-6000 denetleyicinin güç yükünü kaldırabileceğini doğrulayın.

■ Her W-6000 denetleyici güç kaynağı (HW-PSU-400) toplam 400 W değerdedir ve 50 ila 60 Hz'de 85 ila 264 VAC'yi kabul edebilmek için otomatik aralık ölçümü yapabilmektedir.

Toplam güç yüküne bağlı olarak, sahanızın elektrik sistemlerinin kapasitesini artırmanız gerekebilir. Ayrıntılar için bkz. "[Güç Yönetimi](#)", sayfa 25.



NOT: Bir güç hattı koşullayıcısı veya Kesintisiz Güç Kaynağının (UPS) kullanılması, elektrik hizmetindeki dalgalanmaların neden olduğu sorunları azaltabilir veya hafifletebilir. Yukarıdaki bilgilere dayalı olarak, herhangi bir güç şekillendirme cihazının çıkışının W-6000 denetleyici güç kaynaklarıyla uyumlu olduğunu doğrulayın.

4. Güç kaynağı üzerindeki güç düğmesinin Off (Kapalı) (●) konumunda olduğunu doğrulayın.



DİKKAT: Güç kaynağının güç düğmesi On (Açık) (I) konumundayken asla güç kaynağına güç kablosu bağlamayın. Önce güç düğmesinin Kapalı (●) olduğunu doğrulayın.

5. Güç kablosunu güç kaynağına bağlayın.

Güç giriş prizine uygun bir güç kablosu takın. Prize uygun olan güç kablosu standart bir IEC320 fişe sahiptir.



DİKKAT: Uygun güvenlik ve performans için, güç kablosu 10 A değerinde ve ürünün çalıştırıldığı ülkedeki topraklı elektriksel standartlara uygun olmalıdır.



NOT: 400 W güç kaynağı (HW-PSU-400) bir güç kablosu tutma klipsi içermektedir. Güç kablosu takıldığında, klips kabloyu yerinde tutmak ve kazayla yerinden çıkmasını önlemek için kullanılabilir (bkz. [sayfa 26](#), [Şekil 8](#)).

6. Güç kablosunu uygun bir elektrik prizine takın.



DİKKAT: Güvenlik açısından, güç priz ve fişlerinin operatörün kolayca erişebileceği bir yerde olduğunu ve gerektiğinde hemen çıkarılabileceğini doğrulayın.

Yukarıdaki 4, 5 ve 6. adımları kurulan her güç kaynağı için tekrarlayın.

Güç bağlandıktan sonra, güç açık testini gerçekleştirebilirsiniz (bkz. sayfa 15).

W-6000 denetleyici fiziksel anlamda kurulduktan sonra, şu çalışma testini uygulayın:

1. Kurulu güç kaynaklarının tümünü hızlı bir şekilde ardı ardına açık duruma getirin.
Her bir güç kaynağı için, güç düğmesini on (açık) (I) konumuna getirin.



NOT: Açılacak ilk güç kaynaklarına aşırı yük binmesini önlemek için, gerekli güç kaynaklarının tümü neredeyse aynı anda açık duruma getirilmelidir (yaklaşık üç saniye içinde).

2. Uygun güç göstergelerini denetleyin.

Açılıştan hemen sonra şunlara dikkat etmeniz gerekir:

- Tüm güç kaynağı AC OK ve DC OK LED'leri doygun yeşil renkte olmalıdır.
- Fan tepsisi Fan Durum LED'i doygun yeşil renkte olmalıdır ve üç fan konumunun tamamında kasa menfezlerinden önemli miktarda hava akışı olduğunu hissetmeniz gerekir.

3. Uygun çalışma göstergelerini denetleyin.

Sistem başarıyla başlatıldıktan sonra şunlara dikkat etmeniz gerekir:

- Güç kaynağı AC OK ve DC OK LED'leri hala doygun yeşil renkte olmalıdır.
- Fan tepsisi Fan Durum LED'i hala doygun yeşil renkte olmalıdır.



NOT: LED davranışıyla ilgili daha fazla bilgi için, her bir modülün ilgili bölümlerine bakın.

4. Sistem ilk çalıştırma testini geçtikten sonra:

- Uygun ağ kablolarını bağlayın.

5. Artık denetleyici ürününüzde yüklü yazılım için *Aruba Hızlı Başlangıç Kılavuzu*'nda (Aksesuar Kitine dahildir) anlatılan ilk ayarları yapmaya hazırsınız.

Dell PowerConnect W-6000 denetleyici Fan Tepsisi (HW-FT), Dell PowerConnect W-6000 denetleyici kasasındaki W-6000M3 modüllerini soğutmak için hava sirkülasyonu sağlar ve bu modüllerin normal çalışması için gereklidir. W-6000 denetleyici'in kasası için normal çalışma sıcaklığı 0 ile 40 °C arasındadır. Bu sıcaklık aralığının dışına çıkılırsa, W-6000, kullanıcıların dikkatini değişikliğe çekmek için yazılımda bir uyarı verecektir. Aşağıdaki tabloda bu alarmlar ve eşikleri açıklanmaktadır:

Tablo 3 Sıcaklık Eşikleri

Alarm Şiddeti	Eşik
Düşük	40 °C
Yüksek	50 °C
Kritik	60 °C

Bu bölümde, fan tepsisinin genel özellikleri ve fiziksel nitelikleri açıklanmakta ve modülün gerektiğinde değiştirilmesine yönelik talimatlar sunulmaktadır.

Özellikler

Yerleşik Artıklık

Fan tepsisinde üç adet fan bulunmaktadır. Modül, fanlardan biri arızalansa dahi soğutma sağlayacak şekilde tasarlanmıştır. Çalışır durumdaki iki fan, fan tepsisi değiştirilene kadar uygun soğutma için yeterli hava akışını sağlayacaktır.

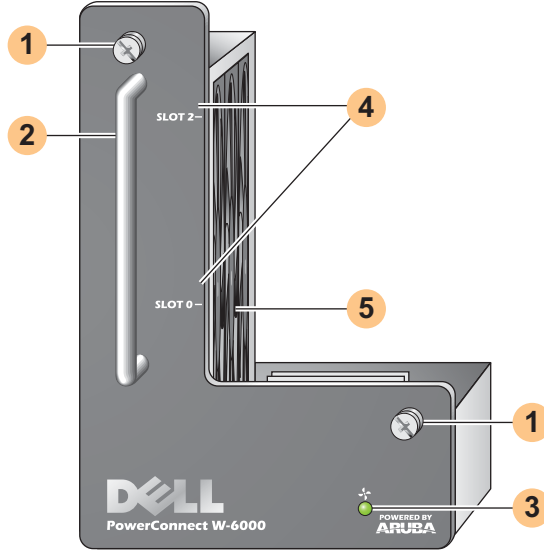
Çalışırken Değiştirebilme

Çalışırken değiştirme, eğitimli bir teknisyen tarafından yapılmalıdır. Çalışırken değiştirme, fan tepsisini sistemi kapatmak zorunda kalmadan değiştirebilmenize olanak tanır. Değişim işlemi sırasında, kasa fansız olarak çalışmaya devam edecektir, ancak uygun soğutmanın yeniden başlaması için işlemin bir dakika içinde tamamlanması gerekir.

Fiziksel Tarif

Fan tepsisi slotu, W-6000 denetleyici'in kasasının sol tarafında bulunur ve şasinin önünden arkasına uzanır.

Şekil 5 Dell W-6000 denetleyici Serisi Fan Tepsisi



- 1 Modül Tutturma Vidaları: Bu sabit vidalar, modülün kasa fan tepsisi slotuna sabitlenmesi amacıyla kullanılır.
- 2 Modül Tutamacı: Bu tutamaç, modülün kasadan çıkarılmasında veya kasaya takılmasında kullanılır.



DİKKAT: Fan tepsisi tutamacını, W-6000 denetleyici'yi kaldırmak veya taşımak için kullanmayın. Ciddi hasar verebilirsiniz.

- 3 Fan Durum LED'i: Çalışma sırasında, Fan Durum LED'i şu bilgileri sağlar:

Tablo 4 Fan Tepsisi LED Davranışı

Durum	Açıklama
Kapalı	Fan tepsisi çalışmıyor.
Yeşil	Fan tepsisi güç alıyor ve üç fan da düzgün çalışıyor.
Kehribar	Fanlardan biri arızalı, ancak geri kalan iki fan, fan tepsisi uygun şekilde değiştirilene kadar yeterli soğutma sağlayabilir.
Kırmızı	İki veya daha fazla fan arızalı. Fan tepsisini derhal değiştirin.



NOT: LED'lere ek olarak, fan tepsisinin durumu ve genel kasa sıcaklığı komut satırı arayüzünden (CLI) de görüntülenebilir.

- 4 Slot Etiketleri: Fan tepsisi W-6000 denetleyici'e takıldığında, bu etiketler, fan tepsisinin hemen sağ tarafından bulunan modül slotlarının adlarını gösterir (bkz. [sayfa 7](#), [Şekil 1](#)).
- 5 Fanlar (yanda): Üç bağımsız fan, W-6000 denetleyici kartlarının soğutulması için artıklık sağlar.

Fan Tepsisi Deęiřimi



DİKKAT: Birçok tamir iřlemi yalnızca sertifikalı servis teknisyenleri tarafından yapılabilir. Yalnızca ürün dokümanlarında izin verilen veya İnternet ya da telefon servisi ve destek ekibinin yol gösterdiği sorun giderme ve basit tamir iřlemlerini kendiniz yapmalısınız. Dell tarafından izin verilmemiş servis iřlemleri nedeniyle gerçekteşen hasarlar garantinizin kapsamı dışındadır. Ürünle gelen güvenlik talimatlarını okuyun ve bunlara uyun.

Fan tepsisi çalışma esnasında deęiřtirilecekse, prosedürün bölümleriyle ilgili olarak zamanın kritik olduęu durumlar söz konusudur. Hazırlıkların doęru yapıldığından emin olmak için, lütfen deęiřim iřlemine geçmeden önce prosedürün tüm adımlarını okuyun.

Ayrıca, bu adımlardaki ve aynı zamanda sayfa 10'daki tüm önlemleri anladığımızı doęrulamayın.

Yeni Fan Tepsisinin Hazırlanması

1. Yeni fan tepsisinin ambalajından çıkarın.
2. Hasarsız olduęunu doęrulamak için yeni fan tepsisini kontrol edin.
3. Yeni fan tepsisini, vakit kaybetmeden yerine takılabilmesi için kasa yakınında güvenli ve erişilebilir bir yere bırakın.
4. Bir #2 Phillips veya yıldız tornavida bulun.

Eski Fan Tepsisinin Sökülmesi

1. Fan tepsisinin tutturma vidalarını gevşetin.
W-6000 denetleyici'in ön tarafında, takılı fan tepsisinin ön levhasında bulunan tutturma vidalarının her ikisini de gevşetmek için tornavidayı kullanın. Vidalar saat yönünün tersine çevrildiğinde gevşer, ancak sabittir ve tamamen çıkarılamaz.
2. Fan tepsisini kasadan ayırın.
Modül tutamacımı sıkıca kavrayın ve fan tepsisini slotundan öne doęru çekin. Modül kasanın arka panosundaki bağlantılarından ayrılırken orta seviyede direnç oluşabilir, ancak aşırı kuvvet uygulamayın.
Modül arka panodan tamamen ayrıldığında, çalışan fanların gücü kesilir ve fanların dönüşü durur.

DİKKAT: Fanlar, artık güç almasalar da kısa bir süre daha döneceklerdir. Fan tepsisini çıkarmadan önce fanların dönüşünün sona ermesini bekleyin.



Ayrıca, çalışırken deęiřtirme iřlemi uygularken, fanların dönüşü sona erdikten sonra W-6000 denetleyici çalışmaya devam edecek, ancak çalışır durumdaki bileşenlerde ısı birikmeye başlayacaktır. Bu bakımdan, yeni fan tepsisini takma iřlemi sınırlı sürede (bir dakika) tamamlanmalıdır.

Bir dakikalık süre sınırlamasına uyulmalıdır çünkü W-6000 denetleyici termal kapatma iřlevine sahip deęildir. Fan tepsisini bir dakika içinde deęiřtirmeyecekseniz, denetleyiciyi kapatın.

3. Fan tepsisi kasadan ayrıldıktan sonra rahatlıkla dışarı kaydırılabilir. Fan tepsisini tamamen çıkarın ve güvenli bir şekilde kenara koyun.

Yeni Fan Tepsisinin Yerine Takılması

1. Yeni fan tepsisini ön panelinde bulunan tutamaçtan tutun.
2. Fan tepsisini dikkatli bir şekilde kasa fan tepsisi slotuna yerleştirin.
Fan tepsisinin arkasını kasa fan tepsisi slotunun kılavuz kızaklarıyla hizalayın ve fan tepsisini nazikçe arka panoya doęru kaydırın. Modülün, kızığın büyük bölümü boyunca rahatlıkla kayması gerekir.

3. Fan tepsisini yerine oturtun.

Fan tepsisi kasanın arkasına ulaştığında orta seviyede direnç hissedilebilir. Modülün arkasındaki konektörlerin arka panoya geçmesi için sıkıca bastırın, ancak aşırı kuvvet uygulamayın.

Fan tepsisi çalışırken değiştirilip konektörler uygun şekilde bağlandığında, fanlara tekrar güç gelmeli ve fanlar tekrar dönmeye başlamalıdır.

4. Hepsinin çalıştığını doğrulamak için fanları kontrol edin.

Çalışırken değiştirme sırasında modülün arka panoya bağlanması veya kapalı durumda değiştirmenin ardından sistem gücünün açılması sonucunda fan tepsisine tekrar güç geldiğinde, Fan Durum LED'inde yeşil rengin yanması ve her bir fan konumundaki kasa menfezlerinden dışarıya önemli miktarda hava akışı hissetmeniz gerekir.

Tüm fanların çalışıyor olması, çalışırken değiştirme prosedüründe zamanın kritik olduğu bölümün sona erdiği anlamına gelir.

Çalışırken değiştirme yöntemiyle yeni değiştirilmiş fan tepsisindeki fanlardan *biri* çalışmazsa (sarı Fan Durum LED'i), bir daha çalışırken değiştirme işlemine kalkışmadan önce geri kalan fanların kasayı soğutması için en az üç dakika bekleyin.



DİKKAT: Çalışırken değiştirme yöntemiyle yeni değiştirilmiş fan tepsisindeki fanlardan ikisi veya daha fazlası çalışmazsa (kırmızı Fan Durumu LED'i), W-6000 denetleyici'yi kapatın, fan tepsisini değiştirin ve W-6000 denetleyici'yi tekrar açmadan önce soğuması için en az beş dakika bekleyin.

5. Fan tepsisini sabitleyin.

Yeni takılan fan tepsisinin ön levhasındaki tutturma vidalarını yerine oturtmak ve sıkmak için tornavida kullanın. Vidaları orta seviyede direnç hissedilene kadar saat yönünde çevirin, ancak aşırı sıkmayın.

Dell PowerConnect W-6000M3, bir W-6000 denetleyici kasa sisteminde kullanıma yönelik, çalışırken değiştirilebilir bir denetleyici modüldür. W-6000 denetleyici kasası, en fazla dört modülü içine alabilir ve bu modüllerin her biri ana veya yerel olarak yapılandırılabilir. Kurulum talimatları ve uyumluluk ve yapılandırma seçenekleri dahil olmak üzere W-6000M3 hakkındaki ayrıntıların tamamı için *Dell PowerConnect W-6000M3 Kurulum Kılavuzu*'na bakın. Güç yönetimiyle ilgili ayrıntılar için bkz. “Güç Yönetimi”, sayfa 25.

Her bir W-6000M3 denetleyici modülü, Dell AP sürüm yükseltme lisansları kullanılarak en fazla 512 yerleşke bağlantılı AP'yi destekleyebilir. Kullanılabilecek yazılım lisanslarının tam listesi için Dell satış temsilcinizle görüşün.

Dell PowerConnect W-6000M3 denetleyici modülünün kurulumu ve çalıştırılmasıyla ilgili bilgi edinmek için, her bir modüle eklenmiş *Dell PowerConnect W-6000M3 Denetleyici Modül Kurulum Kılavuzu*'nu inceleyin.

Dell PowerConnect W-6000 denetleyici Güç Kaynağı, elektrik enerjisini W-6000 denetleyici ile kullanılacak şekilde uyarlar. W-6000'in kasasında, yük paylaşımı ve bozulmaya dayanıklılığı desteklemek için ayrı güç kaynaklarını barındırabilen üç slot bulunmaktadır.

Bu bölümde, güç kaynağının genel özellikleri ve fiziksel nitelikleri açıklanmakta ve önemli güç tüketimi yönetimi bilgileri verilmektedir. Bölümün son kısımları, güç kaynaklarını takmak ve çıkarmak için gerekli adımları kapsamaktadır.

Özellikler

Değerlendirme

Dell W-6000 Güç Kaynağı (HW-PSU-400), toplam 400 W çıkış değerindedir ve 50 ila 60 Hz'de 85 ila 264 VAC'yi kabul edebilmek için otomatik aralık ölçümü yapabilmektedir. W-6000 denetleyici'e 400 W'lık en fazla üç güç kaynağı takılabilir.

Yük Paylaşımı

Yük paylaşımı, W-6000 denetleyici'e aynı değerde birden çok güç kaynağı takılıp çalıştırıldığında gerçekleşir. Yük paylaşımı, W-6000'in toplam güç yükünü tüm bağlı güç kaynağı modülleri arasında böler. Güç kaynakları birlikte çalıştığı için, her ek güç kaynağı kasanın etkin güç kapasitesinin artmasını sağlar.

Artıklık

Birden çok güç kaynağı takıldığında, güç kaynaklarından biri kullanılamaz duruma gelirse (arızalanırsa veya kapatılırsa ya da çıkarılırsa), geri kalan güç kaynakları W-6000 denetleyici için tam güç sağlamaya çalışacaktır. Toplam güç yükü, geri kalan, çalışır durumdaki güç kaynaklarının birleşik çıkış değerini aşmazsa, W-6000 çalışmasına devam edecektir. Güç kaynağı yapılandırmasıyla ilgili daha fazla bilgi için bkz. "[Güç Yönetimi](#)", [sayfa 25](#).

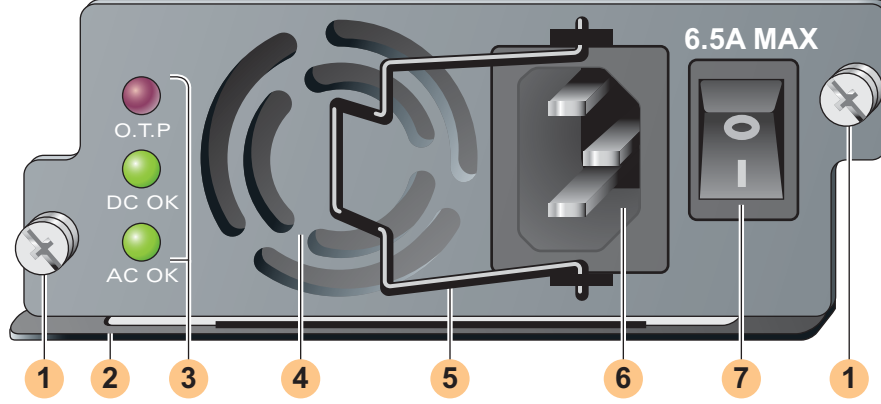
Çalışırken Değiştirebilme

Çalışırken değiştirme, eğitimli bir teknisyen tarafından yapılmalıdır. Çalışırken değiştirme, arızalanan bir güç kaynağını diğerleri tam güç sağlar durumdayken değiştirebilmenize olanak tanır. Bu özellik, değişim prosedürü sırasında W-6000 denetleyici'yi kapatma gereğini ortadan kaldırır.

Çalışırken değiştirme, hedef güç kaynağı çıkarıldıktan sonra, kasanın toplam güç yükünün, geri kalan güç kaynaklarının birleşik çıkış değerini aşmamasını gerektirir.

Fiziksel Tarif

Şekil 6 400W Güç Kaynağı



- 1 Modül Tuturma Vidaları: Bu iki sabit tuturma vidası, güç kaynağının kasa içinde yerinde kalmasını sağlar.
- 2 Modül Tutamacı: Bu tutamaç, modülün W-6000'in kasasından çıkarılmasında veya kasaya takılmasında kullanılır.



DİKKAT: Güç kaynağı tutamacını, W-6000 denetleyici'i kaldırmak veya taşımak için kullanmayın. Ciddi hasar verebilirsiniz.

- 3 Gösterge LED'leri

Tablo 5 400W Güç Kaynağı LED'leri

LED Adı	Konum	Durum	Açıklama
O.T.P. (Over Temp. Protection)	Üst	Kapalı	Güç kaynağı sıcaklığı normal.
		Kırmızı	Güç kaynağı fanı arızalı veya sıcaklık çok yüksek.
DC OK	Orta	Yeşil	DC güç çıkışı normal.
		Kırmızı	DC güç çıkışı kabul edilebilir sınırların dışında.
AC OK	Alt	Yeşil	AC güç girişi normal.
		Kırmızı	AC güç girişi kabul edilebilir sınırların dışında.



NOT: LED'lere ek olarak, güç kaynağının durumu komut satırı arayüzünden (CLI) de görüntülenebilir.

- 4 Hava Giriş Menfezi: Bu hava giriş menfezi, dahili fanın çalışma sırasında güç kaynağını soğutmasına yardımcı olur. Menfezlerinin önünün kapanmasını engellemek için, tüm malzemeleri menfezden en az 10 cm uzakta tutun.
- 5 Güç Kablosu Tutma Klipsi: Bu klips, fiş güç giriş prizine takıldıktan sonra güç kablosunun üzerine geçer. Güç kablosunun kazayla çıkarılmasını önlemeye yardımcı olur.



DİKKAT: Güç kablosu tutma klipsini, güç kaynağını modülünü çıkarmak veya W-6000'i kaldırmak ya da taşımak için kullanmayın.

- 6 Güç Giriş Prizi: Bu güç prizi, standart IEC320 konektörlere sahip güç kablolarına uygundur. Uygun güvenlik ve performans için, kablo 10 A değerinde ve ürünün kullanıldığı ülkedeki topraklı elektriksel standartlara uygun olmalıdır.
- 7 Güç Düğmesi: Güç düğmesinin iki konumu vardır: Off (Kapalı) (●) ve On (Açık) (|).

Güç Yönetimi

W-6000 denetleyici, en fazla üç 400 W güç kaynağını desteklemektedir. 400 ila 800 W'lık primer güç için bir veya iki primer güç kaynağı kullanılıyorsa, 400 W'lık artık bir güç kaynağı da kullanılabilir.

Maksimum güç planlamasına yönelik olarak, gerekli güç kaynağı sayısını belirlemek amacıyla kasa yapılandırmanızdaki tüm modüller için gerekli maksimum güç çekişini toplayın.

W-6000M3 Modülü ve PSU Yapılandırma Tablosu

Aşağıdaki tabloda, W-6000M3 modülü yapılandırmaları ve ortaya çıkan güç kaynağı yapılandırmaları ile güç kullanımı gösterilmektedir.

Tablo 6 Güç Kaynağı ve Modül Yapılandırmaları

Modül	Ünite Sayısı			
W-6000M3 Denetleyici Modülü (her birinde 130 W maks. güç çekişi)	1	2	3	4
Çekilen Toplam Güç (W)	130	260	390	520
Gerekli PSU sayısı	1	1	1	2
Artık PSU sayısı	1/2	1/2	1/2	1

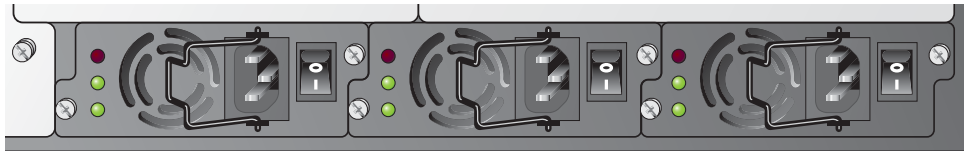
Güç Kaynağının Yerine Takılması



DİKKAT: Birçok tamir işlemi yalnızca sertifikalı servis teknisyenleri tarafından yapılabilir. Yalnızca ürün dokümanlarında izin verilen veya İnternet ya da telefon servisi ve destek ekibinin yol gösterdiği sorun giderme ve basit tamir işlemlerini kendiniz yapmalısınız. Dell tarafından izin verilmemiş servis işlemleri nedeniyle gerçekleşen hasarlar garantinizin kapsamı dışındadır. Ürünle gelen güvenlik talimatlarını okuyun ve bunlara uyun.

1. Prosedürü ve tüm önlemleri anladığınızı doğrulayın.
Başlamadan önce bütün prosedürü okuyun. Bu adımlardaki ve aynı zamanda sayfa 10'deki tüm önlemleri anladığınızı doğrulayın.
2. Güç kaynağı için bir güç kaynağı slotu seçin.
 - 400 W güç kaynağı (HW-PSU-400), herhangi bir güç kaynağı slotuna takılabilir ve herhangi bir güç kaynağı slotu boş bırakılabilir. Yani güç kaynakları için kullanılan slotların belirli bir sırası yoktur.

Şekil 7 Takılı 400 W'lık Güç Kaynakları



Önceden takılmış bir güç kaynağını değiştirecekseniz, öncelikle bkz. “Güç Kaynağının Çıkarılması”, sayfa 27.

Bir güç kaynağını boş bir slotu takacaksanız, öncelikle boş kapak plakasını sökmeniz gerekebilir. Bunun için, bir #2 Phillips veya yıldız tornavida kullanın. Ön levha üzerindeki sabit tutturma vidalarını gevşeyene kadar saat yönünün tersine çevirin (bu vidalar tamamen çıkarılamaz). Kapak plakasını çıkarın ve güvenli bir yerde tutun.

3. Takılacak güç kaynağı üzerindeki güç düğmesinin Off (Kapalı) (●) konumunda olduğunu doğrulayın.



DİKKAT: Güç kaynağının güç düğmesi On (Açık) (I) konumundayken veya güç kablosu fişi güç kaynağı modülüne takılıken asla güç kaynağını takmayın veya çıkarmayın. Öncelikle güç düğmesinin Off (Kapalı) (●) konumunda olduğunu ve güç kablosu fişinin W-6000 PSU modülüne takılı olmadığını doğrulayın.

4. Güç kaynağını kasanın içine yerleştirin.

Güç kaynağını alt kenarına takılı olan tutamaçtan kavrayın. LED'ler sola, güç düğmesi sağa gelmelidir. Güç kaynağını takmak veya çıkarmak için güç kablosu tutma klipsini kullanmayın. Modülün arkasını kasa güç kaynağı slotunun kılavuz kızaklarıyla hizalayın ve modülü nazıkçe arka panoya doğru kaydırın. Modülü zorlamayın, kızağın büyük bölümü boyunca rahatlıkla kayması gerekir. Güç kaynağı kasanın arka tarafındaki konektörlere değdiğinde orta seviyeli bir direnç oluşabilir. Konektörlerin geçmesi için sıkıca bastırın, ancak aşırı kuvvet uygulamayın.

5. Güç kaynağını sabitleyin.

Modülün sabit tutturma vidalarını içeri itmek için tornavidayı kullanın ve orta seviyede direnç hissedilene kadar vidaları saat yönünde çevirin. Aşırı sıkmayın.

6. Güç kablosunu güç kaynağına bağlayın.



NOT: Güç kablosunu bağlamadan önce kablo tutma klipsini sola döndürün.

Güç giriş prizine uygun bir güç kablosu takın. Prize uygun olan güç kablosu standart bir IEC320 fişe sahiptir.

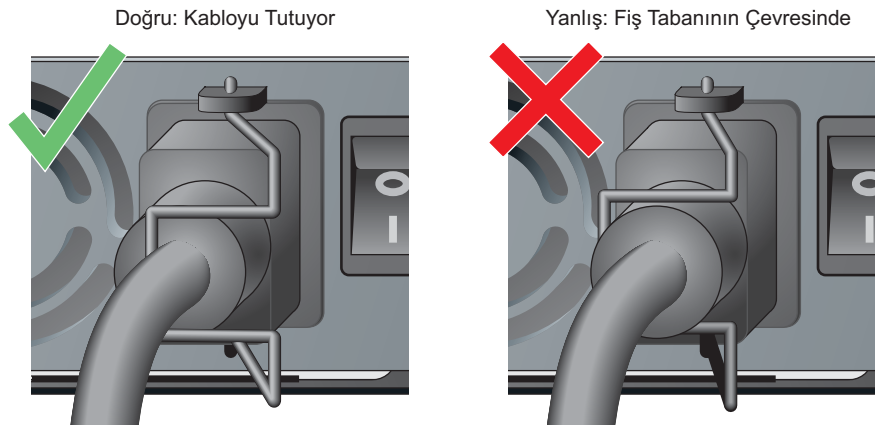


DİKKAT: Uygun güvenlik ve performans için, güç kablosu 10 A değerinde ve ürünün çalıştırıldığı ülkedeki topraklı elektriksel standartlara uygun olmalıdır.

7. Güç kablosunu sabitleyin.

Güç kablosu bağlandığında, kablo tutma klipsini [sayfa 26, Şekil 8](#)'te gösterildiği gibi sağa döndürün. Bu, fişi yerinde tutacak ve kazayla çıkarılmasını önlemeye yardımcı olacaktır.

Şekil 8 Güç Kablosu Tutma Klipsinin Kullanımı



8. Güç kablosunu uygun bir elektrik prizine takın.

Sahanızın elektrik sistemlerinin W-6000'in güç yükünü kaldırabileceğini doğrulayın.

- Her güç kaynağı (HW-PSU-400) toplam 400 W değerdedir ve 50 ila 60 Hz'de 85 ila 264 VAC'yi kabul edebilmek için otomatik aralık ölçümü yapabilmektedir.

W-6000'in toplam güç yüküne bağlı olarak, sahanızın elektrik sistemlerinin kapasitesini artırmanız gerekebilir. Ayrıntılar için bkz. "Güç Yönetimi", sayfa 25.



DİKKAT: Güvenlik açısından, güç priz ve fişlerinin operatörün kolayca erişebileceği bir yerde olduğunu ve gerektiğinde hemen çıkarılabileceğini doğrulayın.



NOT: Bir güç hattı koşullayıcısı veya Kesintisiz Güç Kaynağının (UPS) kullanılması, elektrik hizmetindeki dalgalanmaların neden olduğu sorunları azaltabilir veya hafifletebilir. Herhangi bir güç şekillendirme cihazının çıkışının W-6000 denetleyici güç kaynaklarıyla uyumlu olduğunu doğrulayın.

Güç Kaynağının Çıkarılması



DİKKAT: Birçok tamir işlemi yalnızca sertifikalı servis teknisyenleri tarafından yapılabilir. Yalnızca ürün dokümanlarında izin verilen veya İnternet ya da telefon servisi ve destek ekibinin yol gösterdiği sorun giderme ve basit tamir işlemlerini kendiniz yapmalısınız. Dell tarafından izin verilmemiş servis işlemleri nedeniyle gerçekleşen hasarlar garantinizin kapsamı dışındadır. Ürünle gelen güvenlik talimatlarını okuyun ve bunlara uyun.

1. Prosedürü ve tüm önlemleri anladığınızı doğrulayın.

Başlamadan önce bütün prosedürü okuyun. Bu adımlardaki ve aynı zamanda sayfa 10'deki tüm önlemleri anladığınızı doğrulayın.

2. Çıkarılacak güç kaynağı üzerindeki güç düğmesinin Off (Kapalı) (●) konumunda olduğunu doğrulayın.



DİKKAT: Güç kaynağının güç düğmesi On (Açık) (I) konumundayken asla güç kaynağını takmayın veya çıkarmayın. Önce güç düğmesinin Kapalı (●) olduğunu doğrulayın.

3. Çıkarılacak güç kaynağının fişini çekin.

Güç kablosu tutma klipsini kullanıyorsanız, önce klipsi sola yatırın ve fişten kurtarın. Ardından fişi çekin.

4. Güç kaynağını çıkarın.

Bir #2 Phillips veya yıldız tornavida yardımıyla, güç kaynağının sabit tutturma vidalarını gevşeyene kadar saat yönünün tersine çevirin (bu vidalar tamamen çıkarılamaz). Güç kaynağının tutamacını sıkıca kavrayın ve modülü dikkatli bir şekilde kasadan çekip çıkarın.

5. Boş slotları kapatın.

Güvenlik açısından ve soğutma için uygun hava akışını desteklemek ve kasaya toz girmesini önlemek amacıyla, kullanılmayan slotları boş kapak plakasıyla kapatın.

Fiziksel

Tablo 7 Fiziki Spesifikasyonlar

Öğe	Ölçüm
Boyut	Yükseklik 14,9 cm (5,85 inç) Genişlik 44,2 cm (17,4 inç) Derinlik 31,8 cm (12,5 inç)
Ağırlık	26,5 kg maksimum 6,3 kg kasa ve fan tepsi 4,4 kg her bir güç kaynağı

Çevresel

Tablo 8 Çevresel Spesifikasyonlar

Öğe	Ölçüm
Sıcaklık	Çalışma: 0 ila 40 °C Saklama: 0 ila 50 °C Düşük şiddetli alarm: 40 °C Yüksek şiddetli alarm: 50 °C Kritik alarm: 60 °C
Nem	%5 ila %95 (yoğunlaşmayan)
İrtifa	3048 m, maksimum

Çalışır durumda

Tablo 9 Çalışmaya İlişkin Spesifikasyonlar

Öğe	Ölçüm
Güç Kaynakları	Model HW-PSU-400— Giriş: 85-264 VAC, 50-60 Hz Çıkış: 48 V, 8 A
Güç Tüketimi	460W (güç kaynağı başına), maksimum
Ağ Yönetimi	HTML Web tarayıcı arayüzü
Standartlar	IEEE 802.1x, IEEE 802.3 10BASE-T, IEEE 802.3u 100BASE-TX, IEEE 802.3ab 1000BASE-T, IEEE 802.3z 1000BASE-SX

Uygunluk

Elektromanyetik Enterferans

Birleşik Devletler

FCC Sınıf A

Bu ekipman, FCC Kuralları Bölüm 15 uyarınca test edilmiş ve Sınıf A dijital cihazlara ilişkin sınırlara uygun olduğu saptanmıştır. Söz konusu sınırlar, ekipman ticari bir ortamda çalıştırılırken zararlı enterferansa karşı makul düzeyde koruma sağlamak amacıyla belirlenmiştir. Bu ekipman, radyo frekansı enerjisi üretir, kullanır ve yayabilir ve talimat el kitabına göre kurulmadığı ve kullanılmadığı takdirde, telsiz haberleşme için zararlı enterferansa yol açabilir. Bu ekipmanın bir yerleşim alanında çalıştırılması büyük olasılıkla zararlı enterferansa yol açacaktır. Bu durumda, kullanıcının enterferansı masrafları kendisine ait olmak üzere düzeltmesi gerekecektir.

Uygunluktan sorumlu tarafça açık olarak onaylanmamış değişiklikler, kullanıcının bu ekipmanı çalıştırma yetkisini kaybetmesine neden olabilir.

Bu ürün, FCC Kuralları Bölüm 15'e uygundur. Çalıştırma aşağıdaki iki koşula tabidir: (1) bu cihazın zararlı enterferansa yol açmaması ve (2) bu cihazın istenmedik çalışmayla sonuçlanabilecek enterferans da dahil olmak üzere alınan tüm enterferansları kabul etmesi.

Kanada

Bu dijital aygıt, Haberleşme Bakanlığı'nın enterferansa neden olan ekipmanlarla ilgili "Dijital Aygıtlar" ICES-003 başlıklı standardıyla belirlenen, dijital aygıtların yaydığı radyo gürültü emisyonlarına ilişkin Sınıf A sınırlarının dışına çıkmamaktadır.

Cet appareil numérique respecte les limites de bruits radioélectriques applicables aux appareils numériques de Classe A prescrites dans la norme sur le matériel brouilleur: "Appareils Numériques," NMB-003 édictée par le ministère des Communications.

Japonya

VCCI - Sınıf A

この装置は、情報処理装置等電波障害自主規制協議会（VCCI）の基準に基づくクラスA情報技術装置です。この装置を家庭環境で使用すると電波妨害を引き起こすことがあります。この場合には使用者が適切な対策を講ずるよう要求されることがあります。

This device complies with Part 15 of the FCC Rules. Operation is subject to the following two conditions: (1) this device may not cause harmful interference, and (2) this device must accept any interference received, including interference that may cause undesired operation.

This Class A digital apparatus complies with Canadian ICES-003.
Cet appareil numérique de la classe A est conforme à la norme NMB-003 du Canada.

Apparatet må tilkoples jordet stikkontakt.

Laite on liitettävä suojamaadoituskoskettimilla varustettuun pistorasiaan.

この装置は、クラス A 情報技術装置です。この装置を家庭環境で使用すると電波妨害を引き起こすことがあります。この場合には使用者が適切な対策を講ずるよう要求されることがあります。

VCCI-A

Avrupa



UYARI: Bu, A Sınıfı bir üründür. Ev ortamında, bu ürün radyo enterferansın yol açabilir ve bu durumda kullanıcının yeterli tedbirleri uygulaması gerekebilir.

Bu ürün, EN55022 A Sınıfı ve EN55024 standartlarına uygundur.

Güvenlik

Lityum Pille İlgili Bildirim

Bu ürün, yalnızca eğitimli bir teknisyen tarafından değiştirilebilecek bir lityum pil içermektedir.



DİKKAT: Lityum pil yanlış değiştirildiği takdirde patlayabilir. Eğitimli bir teknisyen, pili aynı veya imalatçının tavsiye ettiği eşdeğer tipte pille değiştirmelidir. Kullanılmış piller imalatçının talimatlarına göre imha edilmelidir.

Lazerle İlgili Bildirim

Bu üründe kullanılan Dell PowerConnect W-6000M3 Denetleyici Modülü, bazı portlarda değiştirilebilir lazer alıcı verici modüllerinden yararlanmaktadır.



DİKKAT: Bu el kitabında belirtilenler dışındaki kontroller veya performans ayarları ya da prosedürlerin kullanılması, tehlikeli düzeyde radyasyona maruz kalınmasıyla sonuçlanabilir.

Bu ürün, 21 CFR Bölüm 1, Alt bölüm J, Kısım 1040.10'a ve IEC 60825-1: 1993, A1: 1997, A2: 2001, IEC 60825-2: 2000'e uygundur.

Yukarıdaki lazer güvenliği standartlarına devamlı uygunluk için, ürüne yalnızca onaylı satıcılarımızdan alınacak onaylı Sınıf 1 modüller takılmalıdır.

Dell PowerConnect W-6000 コントローラ 設置ガイド



Copyright

© 2011 Aruba Networks, Inc. AirWave®, Aruba Networks®, Aruba Mobility Management System®, およびその他の登録商標は Aruba Networks, Inc. の商標です。Dell™、DELL™ ロゴ、および PowerConnect™ は Dell Inc. の商標です。

All rights reserved. 本書に記載された仕様は、予告なく変更されることがあります。

米国製。本書に記載されているその他の商標は、それぞれの所有者に帰属します。

オープンソースコード

一部の Aruba 製品には、GNU General Public License (GPL)、GNU Lesser General Public License (LGPL)、およびその他のオープンソースライセンスの対象となるソフトウェアコードを含むサードパーティ製のオープンソースソフトウェアコードが含まれています。使用されているオープンソースコードは、以下のサイトで参照できます。

http://www.arubanetworks.com/open_source

法的通知

個人または企業による Aruba Networks, Inc. スイッチングプラットフォームおよびソフトウェアの使用によって生じるその他のベンダの VPN クライアントデバイスが排除された場合、このアクションに対するその個人または企業の責任の完全な受諾を伴い、これらのベンダの代理として著作権の侵害に関して Aruba Networks, Inc. に対して適用される可能性のあるすべての合法的なアクションを補償するものとします。

序章	5
本書の概要	5
関連ドキュメント	5
書式の用例	5
サポート連絡先	6
第1章	7
システムの概要	7
機能	7
物理的特徴	7
第2章	9
シャーシの設置	9
設置前のチェックリスト	9
事前の注意	10
要件	10
最小構成	10
ラックマウント用キット	11
設置場所の選択	11
シャーシのラックマウント	12
W-6000M3 コントローラ用モジュールの追加	14
電源の接続	14
第3章	17
設置の検証	17
第4章	19
ファントレイ	19
機能	19
冗長性の装備	19
ホットスワップ	19
物理的特徴	19
ファントレイの交換	21
新しいファントレイの準備	21
元のファントレイの取り外し	21
新しいファントレイの取り付け	21
第5章	23
Dell PowerConnect W-6000M3	23
第6章	25
W-6000 パワーサプライモジュール	25
機能	25
定格	25
負荷の共有	25
冗長性	25
ホットスワップ	25
物理的特徴	26
電源管理	27
W-6000M3 モジュールと PSU の構成表	27

	パワーサプライの取り付け	27
	パワーサプライの取り外し	29
第7章	仕様	31
	物理仕様	31
	環境仕様	31
	動作仕様	31
	準拠情報	32
	電磁波による干渉	32
	米国	32
	カナダ	32
	日本	32
	ヨーロッパ	33
	安全性	33
	リチウムバッテリーに関する通知	33
	レーザーに関する通知	33

序章には、以下の情報が含まれています。

- 本書の各セクションの概要
- 関連ドキュメントのリスト
- 本書全体で使用されている各種書式に関する用例一覧
- Dell サポートおよびサービス情報

本書の概要

このマニュアルは、指導を受けた技術者が Dell PowerConnect W-6000 コントローラの設置を行うためのものです。本書の構成は次のとおりです。

- Dell PowerConnect W-6000 コントローラシャーシ
第 1 章から第 3 章では W-6000 コントローラについて説明し、シャーシのマウント、電源の接続、最初の電源投入テストの実行方法などの手順を説明します。
- Dell PowerConnect W-6000M3 コントローラモジュール
第 4 章から第 6 章では、特定のモジュールに焦点を合わせて、モジュールの取り付けと交換の手順について説明します。
- 付録

関連ドキュメント

Dell システムのマニュアル一式には以下のドキュメントが含まれています。

- Dell PowerConnect W-6000 コントローラ設置ガイド (本書)
- Dell PowerConnect ArubaOS User Guide
- Dell PowerConnect W-AP 設置ガイド

書式の用例

本書では、重要な概念を強調するために以下の書式が使用されています。

表 1 書式の用例

<i>Italics</i>	重要な用語を強調する場合、および文献のタイトルを示す場合に使用されます。
System items	等幅フォントで以下の項目を表示します。 <ul style="list-style-type: none">● 画面出力例● システムメッセージ● ファイル名、ソフトウェアデバイス、および特定コマンドに関する記述

表 1 書式の用例

Commands	
Commands	コマンドの例文中でユーザーが入力する文字列を太字で表示します。
<Arguments>	<p>コマンドの例文中で、山かっこに囲まれている斜体のテキストは、特定条件に合わせて適切な内容に置きかえる必要のある項目を示します。次のような例があります。</p> <p># send <text message></p> <p>この例では、システムプロンプトに対して「send」と入力して、次に実際に送信するテキストメッセージを入力します。山かっこは入力しないでください。</p>
[Optional]	コマンドの例文中で、角かっこに囲まれている項目の入力はオプションです。角かっこは入力しないでください。
{ Item A Item B }	コマンドの例文中で、波かっこに囲まれ、縦棒で区切られている項目は、選択肢を示します。どちらか1つを入力してください。波かっこや縦棒を入力しないでください。

サポート連絡先

表 2 Dell の連絡先情報

Web サイト	
Web サイトトップ	dell.com
サポート Web サイト	support.dell.com
マニュアルダウンロード Web サイト	support.dell.com/manuals

Dell PowerConnect W-6000 コントローラは、ワイヤレスアクセスポイント (AP) および空気モニター (AM) を有線 LAN に接続し、制御およびインテリジェントな統合を行う、エンタープライズクラスのモジュール型シャーシです。

この章では、W-6000 コントローラの概要を紹介し、モジュール型システムの一般的機能と主な物理的要素について説明します。システムについて完全に理解した上で、次の章に記載されている設置作業を行ってください。

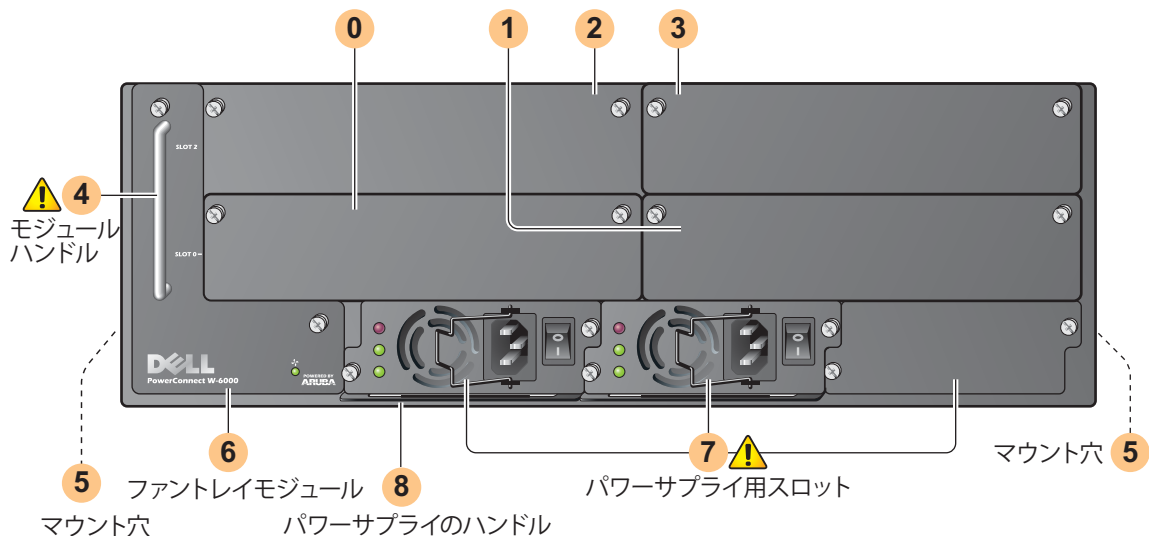
機能

このセクションでは、W-6000 コントローラの一般的機能の概要を説明します。

- Layer-2/Layer-3 高速パケット転送機能を持つ 10/100/1000 Mbps および 10 Gbps イーサネットスイッチです。
- 高性能パケット処理機能により、負荷分散、速度制限、自己修復、キャリブレーション、認証、モビリティ、セキュリティ、監視と設定の一元化など、付加価値の高いワイヤレスサービスを提供します。
- 3U シャーシが採用され、標準的な 19 インチテレコムラックまたはサーバーラックにマウントできます。
- モジュール型設計のスロットにより、ネットワークの拡張性と耐障害性が確保されています。
 - 最大 4 つの Dell PowerConnect W-6000M3 モジュール
 - 最大 3 つのホットスワップ対応の電源サプライで負荷を共有することにより冗長性を実現
 - 独立したファンを 3 個搭載するファントレイにより冗長性を実現

物理的特徴

図 1 Dell PowerConnect W-6000 コントローラ



- 0 スロット 0: 必須の Dell PowerConnect W-6000M3 コントローラモジュール用です。
- 1 スロット 1: W-6000M3 追加モジュール用です。

- 2 スロット 2: W-6000M3 追加モジュール用です。
- 3 スロット 3: W-6000M3 追加モジュール用です。
- 4 モジュールハンドル: 個別モジュールの取り外しおよび取り付けの際にのみ使用します。



注意: モジュールハンドルを持って W-6000 コントローラシャーシを持ち上げたり、動かしたりしないでください。ハンドルを持ってシャーシを持ち上げると、モジュールとシャーシの両方が重大な損傷を受ける恐れがあります。

- 5 ラックマウント用ブラケット取り付け穴 (側面)
- 6 ファントレイモジュール: W-6000 コントローラは、ファントレイがシャーシ内の空気を排出することによって冷却されます。ファントレイから排出される空気は、(シャーシを前から見た場合) 取り付けられたモジュールを通して右から左に抜けます。

動作中は、シャーシの左右側面の通気孔がケーブルやマウント用パーツなどで遮られないようにしてください。空気を適切に循環させるには、シャーシの左右に 10 cm (4 インチ) 以上の空間を確保してください。

- 7 パワーサプライ用スロット: シャーシには最大 3 つのパワーサプライ用スロットがあります。システムに必要なパワーサプライの数は、取り付けられている W-6000M3 コントローラモジュールの数に応じて異なり、パワーサプライの冗長性を確保するかどうかによって変わります。詳細については [27 ページの「電源管理」](#) を参照してください。

各パワーサプライには専用ケーブルと電源スイッチがあります。



注意: 電源スイッチがオンの位置にある状態、または電源ケーブルが接続された状態で、パワーサプライを取り付けたり、取り外したりしないでください。最初に、電源スイッチがオフであり、ケーブルが接続されていないことを確認してください。



注意: Dell W-6000 コントローラおよびコンポーネントを取り扱う際には、静電気放電 (ESD) のための適切な手順を必ず実行してください。

- 8 パワーサプライのハンドル: パワーサプライの取り外しまたは取り付けの際に使用します。



注意: 設置作業は指導を受けた技術者が行う必要があります。

この章では、設置に関する以下のトピックについて説明します。

- 設置前に確認が必要な注意事項
- W-6000 コントローラのコンポーネントとラックマウント用ハードウェアの要件
- W-6000 コントローラの適切な使用環境の選択
- W-6000 コントローラのラックマウント
- W-6000 コントローラへの電源の接続

設置前のチェックリスト

設置時には以下が必要です。

- Dell PowerConnect W-6000 コントローラ
- Dell PowerConnect W-6000 コントローララックマウント用ハードウェア (付属)
- プラスドライバー
- 19 インチラックまたは同等品
- 3U ラックの前後左右に 10 cm (4 インチ) の空間を確保できるラック設置場所
- W-6000 コントローラの設置を補助する人員 1 名
- パワーサプライの数に合わせた電源ケーブル (定格電流 10 A 以上、IEC320 コネクタ付)
- 適切な数のパワーサプライと電力 (27 ページの「電源管理」を参照)
- 0 ~ 40 °C (32 ~ 104 °F) の結露しない空気環境 (空調が必要な場合あり)
- コンソールターミナル (RJ-45 または DB-9 シリアルポート付)
- RS-232 シリアルケーブル (RJ-45 オスコネクタ付)
- シリアルアダプタ (付属) (DB-9 でコンソールに接続する場合)

事前の注意

注意: パワーサプライモジュールが電源に接続されている間は、危険な 240VAC を超える電圧が常にかかっています。この製品を取り扱う前に、指輪やペンダントなど、導電性のあるアクセサリを外してください。

電源がオフの場合、コンセントからプラグが外れている場合、パワーサプライが取り外されている場合にかかわらず、シャーシやパワーサプライなどのコンポーネント内に異物を差し込まないでください。

W-6000 コントローラの電源を完全に遮断するには、設置されているすべてのパワーサプライの電源ケーブルをコンセントから抜きます。安全のため、プラグにすぐ手が届く位置の電源コンセントを使用してください。

絶縁されていない電源ケーブルは使用しないでください。ネットワークケーブルについても同様です。

感電の恐れをなくするため、製品に水などの液体を近づけないでください。



製品の設置時および操作時は、必ず適切な方法で製品にアースを取ってください。W-6000 コントローラのシャーシ、ネットワークポート、パワーサプライ、またはマウント用ブラケットに、別の系統でアースを取っている機器やケーブル、またはそのアースに触れている物品や人が接しないようにしてください。また、室外で荒天にさらされる地面から機器のアースを取らないでください。

シャーシまたは他のモジュールの設置および取り外しは、静電気が発生しない環境で行ってください。適切な静電気除去ストラップとマットを使用することを強くお勧めします。

シャーシに取り付ける前のモジュールは、必ず静電気防止パッケージに保管してください。

強力な電磁波、静電気、磁力、放射線などが発生する場所にこの製品を設置または保管しないでください。

シャーシやモジュールを分解しないでください。内部には、ユーザーがサービスできる部品はありません。サービスまたは修理が必要な場合は、[6 ページの「サポート連絡先」](#)を参照してください。

要件

最小構成

Dell PowerConnect W-6000 コントローラには、以下の基本コンポーネントが含まれている必要があります。

- W-6000 コントローラシャーシ x 1
- ファントレイ x 1
- W-6000M3 コントローラ Module x 1 (スロット 0) (別売)
- 400W パワーサプライ x 2 以上



メモ: 必要なパワーサプライの数は、シャーシに取り付けられている W-6000M3 コントローラモジュールの数に応じて異なります ([27 ページの「電源管理」](#)を参照)。

W-6000 コントローラには、必要なパワーサプライモジュールおよびファントレイモジュールがすべて付属しています。この章の説明に従ってシャーシを設置し、追加モジュールの設置方法については、このマニュアルの後の章を参照してください。

ラックマウント用キット

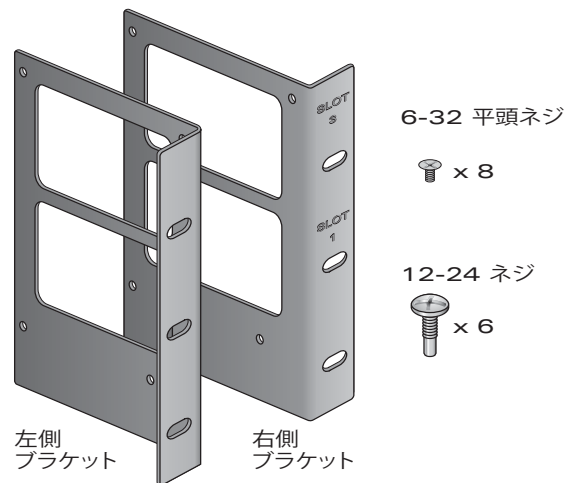
W-6000 コントローラは、付属のラックマウント用キットを使用して、標準的な 19 インチテレコムラックにマウントできます。ラックマウント用キットには、以下の部品が含まれています。

- 6-32 x 1/4" のプラスネジ (6 本同梱)
- 12-24 x 5/8" のプラスネジ (4 本同梱)

また、W-6000 コントローラを 19 インチサーバーラックに設置することもできます。サーバーラックに設置する場合は、以下の付属品が必要です。

- 6-32 x 1/4" のプラスネジ (6 本同梱)
- M6 x 20mm のプラスネジ (4 本同梱)
- M6 ケージナット (4 つ同梱) または M6 ケージクリップ (4 つ同梱)

図 2 ラックマウント用ハードウェア(テレコム用キット)



メモ: シャーシをラックに固定するための 12-24 ネジが 6 本付属しています。一部のラックでは、付属品以外のネジが必要となる場合があります。シャーシをラックにマウントする前に、適切なネジまたは固定金具が手元にあることを確認してください。

設置場所の選択

他のネットワーク機器またはコンピュータ機器と同様、電子機器の設置に適した環境に W-6000 コントローラを設置してください。

- 電源の信頼性

電源コンセントが、W-6000 コントローラ (HW-PSU-400) パワーサプライに対応していることを確認してください (定格出力合計 400 W、85 ~ 264 VAC、50 ~ 60 Hz (自動検出))。

電源ケーブルは、電流定格 10 A で、製品を使用する国の電氣的接地基準を満たしている必要があります。

ラインコンディショナーまたは UPS (無停電電源装置) を使用することにより、供給電源の変動による問題の発生を抑えたり、問題の影響を軽減できる場合があります。ラインコンディショナーなどを使用する場合は、前述の情報に基づいて、W-6000 コントローラパワーサプライに対応していることを確認してください。

- 結露なく涼しい空気環境

W-6000 コントローラが適切に動作するには、周辺の気温が 0 ~ 40 °C (32 ~ 104 °F) である必要があります。また、湿度は 5 ~ 95% の範囲内に維持され、結露しないことが必要です。

同じ場所で多くの電子機器を使用している場合は、空調または空気循環装置の追加が必要になることがあります。

- ゆとりのある空間

空気を適切に循環させるには、シャーシの前後左右に通気孔から 10 cm (4 インチ) 以上の空間を確保してください。

シャーシの前面には、電源ケーブルやネットワークケーブルの処理やインジケータ LED の確認のため、さらに広い空間を確保してください。

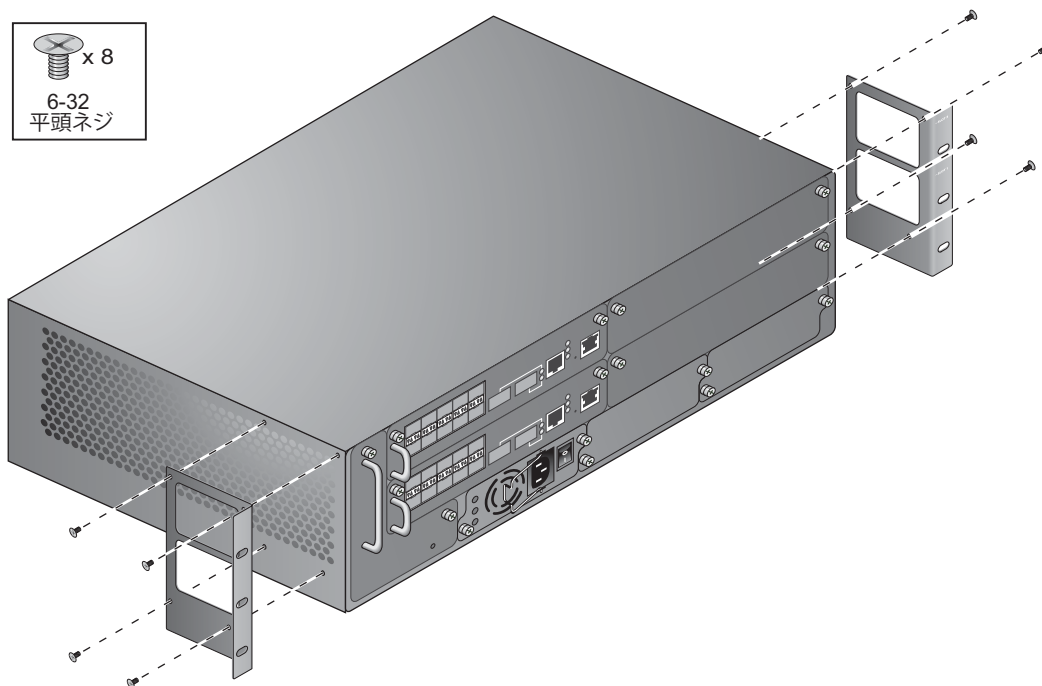
- 電磁波による干渉の制限

最適な動作環境のため、W-6000 コントローラとすべてのケーブルは、蛍光灯から 0.7 メートル (2 フィート) 以上、およびコピー機、無線機、発電機など強力な電磁波による干渉源となる機器から 2 メートル (6 フィート) 以上離してください。

シャーシのラックマウント

1. ラック環境が要件を満たしていることを確認してください (11 ページの「設置場所の選択」を参照)。
2. 12 ページの図 3 のとおりに、ラックマウント用ブラケットをシャーシに取り付けます。

図 3 ラックマウント用ブラケットの取り付け



スロット番号 1 と 3 が記載されたブラケットを W-6000 コントローラシャーシの右側に使用します。ブラケットの細いフランジを前面に向けてください。正しい方向で取り付けると、動作時の空気の流れを妨げないように、ブラケットの四角い大きな穴が側面の通気孔の上に重なります。

プラスドライバーを使用して、左右のブラケットを 6-32 平頭ネジ 4 本 (付属) で固定します。

3. W-6000 コントローラをラックに取り付けます。



注意: 怪我や機器の破損を防ぐため、W-6000 コントローラを持ち上げたり設置したりする作業は1人で行わないでください。また、W-6000 コントローラの取り付けが不安定になったり、荷重が不均一になる状態で設置しないでください。



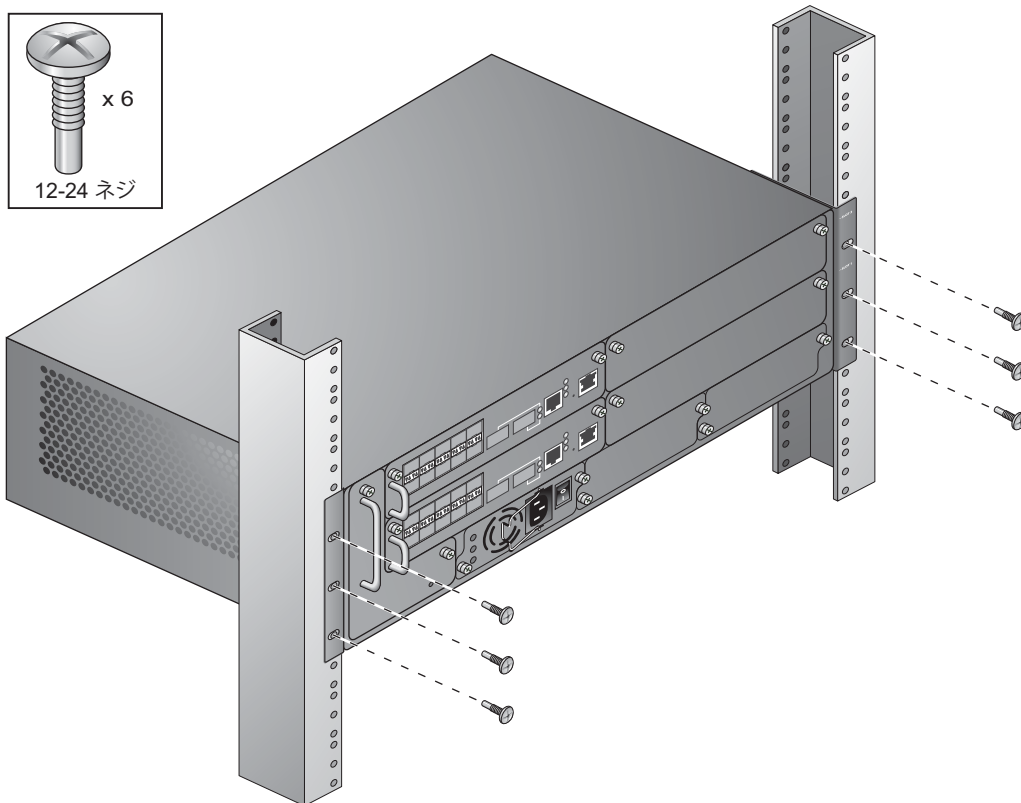
メモ: W-6000 コントローラが適切に動作するには、周辺の気温が 0 ~ 40 °C (32 ~ 104 °F) である必要があります。ラック環境がこれを満たしていることを確認してください。

この機器をサーバーラックに設置する場合は、ケージナットまたはクリップを取り付けてください。ケージナット/クリップを取り付けるには、以下の手順に従います。

- ケージ下部 (レール背面の四角い開口部の上) に挿入します。
- ケージナット設置工具の小さい端をレールの開口部に前面から挿入し、ケージナットの上部に工具を引っかけます。
- ケージナットをレールの方向に押し、ケージナットの上部が固定されるまで工具を上に向けて自分の方向に引っ張ります。
- 通常の方法で W-6000 コントローラを設置します。

シャーシをラック内に入れて、ブラケットのマウント穴をラックフレームの対応する穴に合わせます。

図 4 W-6000 コントローラのマウント



プラスドライバーを使用して、シャーシの左右のブラケットを 12-24 ネジ 3 本 (テレコムラックの場合) または M6 x 20mm ネジ 3 本 (サーバーラックの場合) でラックに固定します。



メモ: 一部のキャビネットでは、付属品以外のネジが必要となる場合があります。ラックシステム用の適切なネジまたは固定金具を使用していることを確認してください。

W-6000M3 コントローラ用モジュールの追加

付属のモジュールがシャーシに取り付けられていない場合、またはモジュールを追加してシステムを拡張する場合は、このマニュアル後半の章で、各モジュールを取り付けるための特定手順を参照してください。



メモ: モジュールを追加すると、電源負荷合計が増加します。取り付けるモジュールによっては、シャーシにパワーサプライを追加したり、設置場所の電源容量を増加する必要があります。詳細については [27 ページの「電源管理」](#) を参照してください。

電源の接続



注意: この作業は指導を受けた技術者が行う必要があります。

- 手順と事前に注意すべき内容をすべて理解していることを確認します。
作業を始める前に、すべての手順に目を通してください。これらすべての手順と 10 ページの手順に記載されている事前注意を確実に理解してください。
- 取り付けられているパワーサプライが電源負荷に対応していることを確認します。
W-6000 コントローラに必要なパワーサプライの数は、取り付けられている W-6000M3 コントローラモジュールの数に応じて異なります。詳細については [27 ページの「電源管理」](#) を参照してください。
- 設置場所の電源容量が W-6000 コントローラの電源負荷に対応していることを確認します。
 - W-6000 コントローラパワーサプライ (HW-PSU-400) の定格出力合計は 400 W で、85 ~ 264 VAC (50 ~ 60 Hz) を自動検出します。
定格出力合計に応じて、設置場所の電源容量を増加する必要があります。詳細については [27 ページの「電源管理」](#) を参照してください。



メモ: ラインコンディショナーまたは UPS (無停電電源装置) を使用することにより、供給電源の変動による問題の発生を抑えたり、問題の影響を軽減できる場合があります。ラインコンディショナーなどを使用する場合は、前述の情報に基づいて、W-6000 コントローラパワーサプライに対応していることを確認してください。

- パワーサプライの電源スイッチがオフ (●) の位置にあることを確認します。



注意: 電源スイッチがオン (I) の位置にある状態で、電源ケーブルをパワーサプライに接続しないでください。最初に、電源スイッチがオフ (●) であることを必ず確認してください。

- 電源ケーブルをパワーサプライに接続します。
適切な電源ケーブルを電源入力ソケットに差し込みます。ソケットには、標準的な IEC320 プラグ付のコードを差し込むことができます。



注意: 安全および適切な性能を確保するため、電源ケーブルは、電流定格 10 A で、製品を使用する国の電氣的接地基準を満たしている必要があります。



メモ: 400 W パワーサプライ (HW-PSU-400) には、電源ケーブル固定用クリップが付属しています。電源ケーブルを接続する際、ケーブルが誤って抜けないように、クリップを使用してケーブルを固定することができます ([28 ページの図 8](#) を参照)。

6. 電源ケーブルを適切な電源コンセントに接続します。



注意: 安全のため、プラグにすぐ手が届き、必要に応じてすぐに抜ける位置の電源コンセントを使用してください。

取り付けられている各パワーサプライに対して、手順 4、5、6 を繰り返します。

電源を接続したら、電源投入テストを実行できます (17 ページを参照)。

W-6000 コントローラを物理的に設置したら、以下の電源投入テストを実行します。

1. 取り付けたパワーサプライの電源を続けてすばやく投入します。
各パワーサプライの電源スイッチをオン (I) の位置に倒します。



メモ: 1つめのパワーサプライの電源を投入したときに過負荷が生じないように、必要なすべてのパワーサプライをほぼ同時 (約3秒以内) に投入してください。

2. 電源インジケータが正しく点灯していることを確認します。
電源を投入すると、ただちに以下の状態を確認できます。
 - すべてのパワーサプライの AC OK LED と DC OK LED が緑に点灯します。
 - ファントレイのファンステータス LED が緑に点灯し、3つのファンからシャーシ内の空気が排出される風の強い流れを感じます。
3. 動作インジケータが正しく点灯していることを確認します。
システムが正常に起動すると、以下の状態を確認できます。
 - パワーサプライの AC OK LED と DC OK LED は緑に点灯したままです。
 - ファントレイのファンステータス LED は緑に点灯したままです。



メモ: LED の状態についての詳細は、特定モジュールに関する各章を参照してください。

4. システムが電源投入テストに合格したら、以下の作業を行います。
 - 適切なネットワークケーブルを接続します。
5. これで、Aruba Quick Start Guide (アクセサリキットに付属) の記載に従い、コントローラにロードしたソフトウェアの初期設定を行う準備が完了します。

Dell PowerConnect W-6000 コントローラファントレイ (HW-FT) は、W-6000M3 Dell PowerConnect W-6000 コントローラのシャーシ内モジュールを冷却するために空気を循環させる、通常操作に欠かせないモジュールです。操作時の W-6000 コントローラシャーシの通常温度は 0 ~ 40 °C (32 ~ 104 °F) です。温度範囲を超過すると、W-6000 はソフトウェアによってユーザーに温度変化を警告します。次の表は、警告の種類と温度のしきい値を示したものです。

表 3 温度のしきい値

警告の重大度	しきい値
小	40 °C
大	50 °C
重大	60 °C

この章では、ファントレイの一般的機能と物理的特性、および必要な場合にモジュールを交換するための手順について説明します。

機能

冗長性の装備

ファントレイには 3 つのファンが組み込まれ、1 つのファンが故障しても冷却機能を提供できるように設計されています。ファントレイを交換するまで、動作している 2 つのファンによって冷却に十分な空気が循環します。

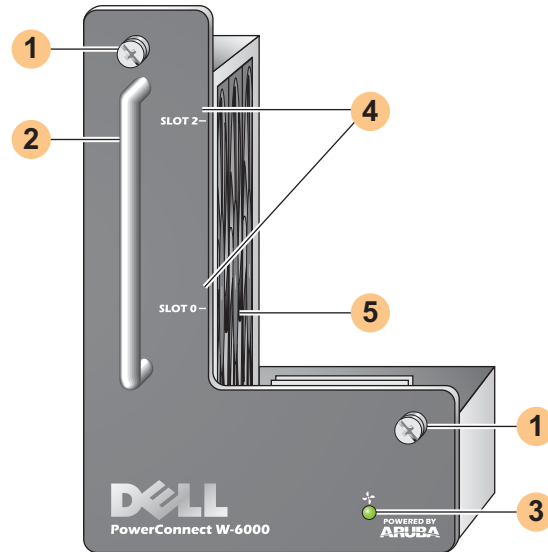
ホットスワップ

ホットスワップは指導を受けた技術者が行う必要があります。ホットスワップにより、システムをシャットダウンせずにファントレイを交換できます。交換中、シャーシはファンなしで動作しますが、適切な冷却を再開するには、1 分以内に交換を完了する必要があります。

物理的特徴

ファントレイスロットは W-6000 コントローラシャーシの左側にあり、シャーシの前面から背面にわたります。

図 5 Dell W-6000 コントローラシリーズのファントレイ



- 1 モジュール固定用ネジ: 3本の拘束ネジを使用して、モジュールをシャーシのファントレイスロットに固定します。
- 2 モジュールハンドル: モジュールをシャーシから取り外したり、シャーシに差し込んだりするときに使用します。



注意: ファントレイのハンドルを持って W-6000 コントローラを持ち上げたり、動かしたりしないでください。重大な損傷につながる恐れがあります。

- 3 ファンステータス LED: ファンステータス LED は、動作中のステータスを以下のように表示します。

表 4 ファントレイ LED の状態

ステータス	説明
オフ	ファントレイが動作していません。
緑	ファントレイに電源が供給され、3つのファンがすべて正しく動作しています。
黄色	1つのファンが故障しています。ファントレイを交換するまで、残りの2つのファンが適切な冷却を行います。
赤	2つ以上のファンが故障しています。ファントレイをすぐに交換してください。



メモ: LED のほかに、CLI を使用してファントレイのステータスとシャーシ全体の温度を確認することができます。

- 4 スロットラベル: ファントレイを W-6000 コントローラに取り付けたときに、ファントレイのすぐ右にあるモジュールスロットの名前を示すラベルです (7 ページの図 1 を参照)。
- 5 ファン (側面): W-6000 コントローラカードを冷却する際の冗長性を確保するため、3つの独立したファンがあります。

ファントレイの交換



注意: ほとんどの修理は、認定を受けたサービス技術者のみが行います。製品マニュアルで認められている場合、またはサービス/サポートチームからオンラインや電話で指示された場合にのみ、トラブルシューティングや簡単な修理を実行してください。Dell が許可しないサービスによる損傷は、保証の対象とはなりません。製品に付属する安全に関する指示を読み、これに従ってください。

ファントレイのホットスワップを行う場合、手順の一部に時間制限があることに注意してください。準備に問題がないことを確認するため、交換する前にすべての手順を通して読んでください。

また、これらすべての手順と 10 ページの手順に記載されている事前注意を確実に理解してください。

新しいファントレイの準備

1. 新しいファントレイをパッケージから取り出します。
2. 新しいファントレイが破損していないことを確認します。
3. すぐに差し込めるように、新しいファントレイをシャーシ近くの手の届きやすい場所に置きます。
4. No. 2 プラスドライバーを用意します。

元のファントレイの取り外し

1. ファントレイの固定用ネジをゆるめます。

W-6000 コントローラの外側から、取り付けられているファントレイのプレートにある固定用ネジ 2 本をドライバーでゆるめます。左に回すとネジがゆるみませんが、拘束ネジを完全に外すことはできません。
2. ファントレイを取り外します。

モジュールハンドルをしっかりと持ち、ファントレイをスロットからまっすぐ引き出します。モジュールの接続がシャーシのバックプレーンから外れる際に、少し抵抗を感じる場合がありますが、力を入れすぎないでください。
モジュールがバックプレーンから完全に外れると、動作中のファンに電源が供給されなくなり、徐々に回転が停止します。

注意: 電源が供給されなくなっても、ファンはしばらく回転しています。ファンが停止してから、ファントレイを取り外してください。



ホットスワップの場合、ファンが停止しても W-6000 コントローラの動作は停止しないため、動作中のコンポーネントの温度が上昇し始めます。ファンが停止してから新しいファントレイの取り付けを完了するまでの時間制限は 1 分です。

W-6000 コントローラには温度上昇による自動シャットダウン機能がないため、必ず 1 分以内に交換してください。ファントレイを 1 分以内に交換できない場合は、コントローラをシャットダウンしてください。

3. 接続が外れると、ファントレイはシャーシから簡単に取り出すことができます。ファントレイを完全に取り出して、安全な場所に置きます。

新しいファントレイの取り付け

1. 前面パネルにあるハンドルを持って、新しいファントレイを持ちます。
2. ファントレイをシャーシのファントレイスロットに慎重に差し込みます。

ファントレイの背面側をシャーシのファントレイスロットのガイドレールに合わせて、バックプレーン側にゆっくりとスライドさせます。モジュールは簡単にスライドするはずですが、

3. ファントレイを接続します。

ファントレイがシャーシの背面まで届くと、少し抵抗を感じます。しっかり押し込んでモジュール背面のコネクタをバックプレーンに接続します。力を入れすぎないでください。

ファントレイのホットスワップを行う場合、コネクタが正しく接続されると、電源の供給が回復してファンが回転し始めます。

4. すべてのファンが回転していることを確認してください。

ホットスワップでモジュールをバックプレーンに接続するか、コールドスワップでシステムの電源を投入して、ファントレイへの電源供給が回復すると、ファンステータス LED が緑に点灯し、各ファンからシャーシ内の空気が排出される風の強い流れを感じることができます。

ホットスワップの制限時間内の作業は、ファンがすべて動作し始めた時点で終了です。

ホットスワップで新しく取り付けられたファントレイのファンのうち1つが動作していない場合 (ファンステータス LED が黄色)、ホットスワップを再度行う前に、残りのファンでシャーシを3分以上冷却してください。



注意: ホットスワップで新しく取り付けられたファントレイのファンのうち2つ以上が動作していない場合 (ファンステータス LED が赤)、W-6000 コントローラをシャットダウンしてファントレイを交換し、そのまま W-6000 コントローラを5分以上冷却してからシステムに電源を投入してください。

5. ファントレイを固定します。

新しく取り付けられたファントレイのプレートにある固定用ネジをドライバーで押し込み、2本とも締めます。少し抵抗を感じるまでネジを右に回します。ネジを締めすぎないでください。

Dell PowerConnect W-6000M3 は、W-6000 コントローラシャーシ内で使用する、ホットスワップ対応のコントローラモジュールです。W-6000 コントローラシャーシには、モジュールを 4 つまで組み込むことができ、各モジュールはマスタまたはローカルに設定できます。取り付け手順および互換性と構成オプションなど、W-6000M3 に関するすべての詳細は、『Dell PowerConnect W-6000M3 設置ガイド』を参照してください。電源管理に関する詳細は、[27 ページの「電源管理」](#)を参照してください。

Dell AP アップグレードライセンスの使用により、W-6000M3 コントローラモジュールは、1 台あたり最大 512 のキャンパス接続された AP をサポートします。選択可能なソフトウェアライセンスの詳細については、Dell 販売代理店にお問い合わせください。

Dell PowerConnect W-6000M3 コントローラモジュールの取り付けと操作に関する詳細は、各モジュールに付属の『Dell PowerConnect W-6000M3 コントローラモジュール設置ガイド』を参照してください。

Dell PowerConnect W-6000 コントローラパワーサプライは、W-6000 コントローラで使用する電力を供給するためのアダプタです。W-6000 シャーシには個別のパワーサプライを設置できるスロットが 3 つあり、負荷の共有と耐障害性に対応しています。

この章では、パワーサプライの一般的機能と物理的特性、および電力消費の管理に関する重要な情報について説明します。章の最後では、パワーサプライの取り付けと取り外しに必要な手順について説明します。

機能

定格

Dell W-6000 パワーサプライ (HW-PSU-400) の定格出力合計は 400 W で、85 ~ 264 VAC (50 ~ 60 Hz) を自動検出します。W-6000 コントローラには、400 W パワーサプライを 3 台まで設置できます。

負荷の共有

W-6000 コントローラに同定格のパワーサプライを複数取り付け、電源を投入すると、負荷の共有が行われます。負荷の共有により、W-6000 のパワーサプライモジュールに接続された機器の総負荷が分割されます。パワーサプライは連動して機能するため、パワーサプライを追加するごとにシャーシの有効電源容量が増加します。

冗長性

複数のパワーサプライを取り付けた場合、(故障、電源遮断、取り外しなどによって) 1 つが使用できなくなると、残りのパワーサプライが W-6000 コントローラの総電力を供給しようとします。電力負荷合計が稼働している残りのパワーサプライの定格出力合計を超えなければ、W-6000 の動作は継続します。パワーサプライの構成についての詳細は、[27 ページの「電源管理」](#)を参照してください。

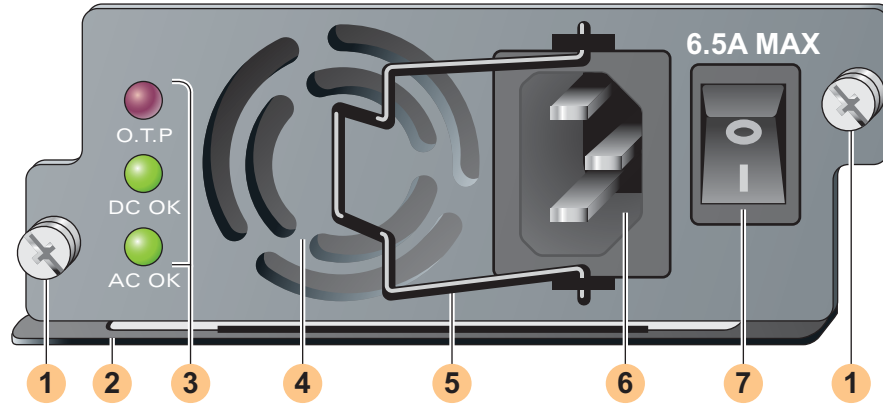
ホットスワップ

ホットスワップは指導を受けた技術者が行う必要があります。ホットスワップにより、他のパワーサプライをフル稼働させたまま故障したパワーサプライを交換できます。そのため、交換中に W-6000 コントローラをシャットダウンする必要がありません。

ホットスワップを行うには、交換するパワーサプライを取り外した後で、シャーシの電力負荷合計が残りのパワーサプライの定格出力合計を超えないことが必要です。

物理的特徴

図 6 400W パワーサプライ



- 1 モジュール固定用ネジ: 2本の拘束ネジを使用して、パワーサプライをシャーシに固定します。
- 2 モジュールハンドル: モジュールを W-6000 シャーシから取り外したり、シャーシに差し込んだりするとき 사용합니다。



注意: パワーサプライのハンドルを持って W-6000 コントローラを持ち上げたり、動かしたりしないでください。重大な損傷につながる恐れがあります。

- 3 インジケータ LED

表 5 400W パワーサプライの LED

LED の名称	位置	ステータス	説明
O.T.P. (過熱保護)	上段	オフ	パワーサプライの温度は正常です。
		赤	パワーサプライのファンが故障しているか、温度が高すぎます。
DC OK	中段	緑	DC 電源出力は正常です。
		赤	DC 電源出力がしきい値の範囲外です。
AC OK	下段	緑	AC 電源入力正常です。
		赤	AC 電源入力がしきい値の範囲外です。



メモ: LED のほかに、CLI を使用してパワーサプライのステータスを確認することができます。

- 4 吸気孔: 動作中に内部のファンがパワーサプライを冷却するための通気孔です。通気が遮られないように、すべての物品を吸気孔から 10 cm (4 インチ) 以上離してください。
- 5 電源ケーブル固定用クリップ: 電源ケーブルのプラグを電源入力ソケットに差し込んでから、ケーブルを固定するために使用します。電源ケーブルが誤って抜けないようにするためのものです。



注意: 電源ケーブル固定用クリップを持ってパワーサプライモジュールを取り外したり、W-6000 を持ち上げたり動かしたりしないでください。

- 6 電源入力ソケット: 標準的な IEC320 コネクタ付電源ケーブルを接続できます。安全および適切な性能を確保するため、電源ケーブルは、電流定格 10 A で、製品を使用する国の電氣的接地基準を満たしている必要があります。

- 7 電源スイッチ: オフ (●) およびオン (|) の状態表示があります。

電源管理

W-6000 コントローラでは、最大3つの400 W パワーサプライを使用できます。メインパワーサプライを1つまたは2つ使用して400 ~ 800 W の主電源を供給している場合、400 W の冗長電源供給が可能です。

最大電源容量を計画するには、シャーシ構成内のすべてのモジュールに必要な最大電力を加算して、パワーサプライの必要数を計算します。

W-6000M3 モジュールと PSU の構成表

次の表は、W-6000M3 モジュールの構成と、必要なパワーサプライの構成および使用電力を示しています。

表 6 パワーサプライとモジュールの構成

モジュール	ユニット数			
W-6000M3 コントローラモジュール (モジュールごとの最大消費電力 130 W)	1	2	3	4
消費電力合計 (W)	130	260	390	520
PSU の必要数	1	1	1	2
PSU の冗長数	1 または 2	1 または 2	1 または 2	1

パワーサプライの取り付け

注意: ほとんどの修理は、認定を受けたサービス技術者のみが行います。製品マニュアルで認められている場合、またはサービス/サポートチームからオンラインや電話で指示された場合にのみ、トラブルシューティングや簡単な修理を実行してください。Dell が許可しないサービスによる損傷は、保証の対象とはなりません。製品に付属する安全に関する指示を読み、これに従ってください。

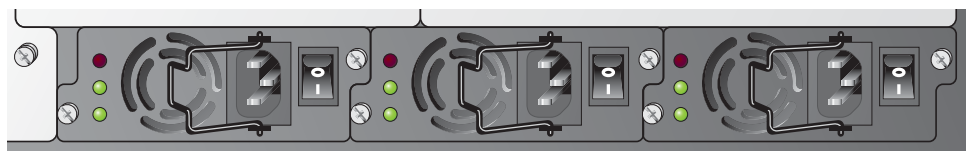
1. 手順と事前に注意すべき内容をすべて理解していることを確認します。

作業を始める前に、すべての手順に目を通してください。これらすべての手順と 10 ページの手順に記載されている事前注意を確実に理解してください。

2. パワーサプライを取り付けるスロットを選択します。

- 400 W パワーサプライ (HW-PSU-400) は任意のスロットに取り付けることができ、どのパワーサプライスロットを空けておいてもかまいません。つまり、パワーサプライを取り付けるスロットには、特に決められた使用順序はありません。

図 7 400 W パワーサプライを取り付けた状態



取り付けられているパワーサプライを交換する場合は、最初に 29 ページの「パワーサプライの取り外し」を参照してください。

空のスロットにパワーサプライを取り付ける場合は、最初にカバープレートを取り外す必要があります。取り外すには #2 プラスドライバーを使用します。プレートにある固定用拘束ネジを左に回してゆるめます (完全に外すことはできません)。カバープレートを外して、安全な場所に保管します。

3. 取り付けるパワーサプライの電源スイッチがオフ (O) の位置にあることを確認します。



注意: 電源スイッチがオン (I) の位置にある状態、または電源ケーブルがパワーサプライモジュールに接続された状態で、パワーサプライを取り付けたり、取り外したりしないでください。最初に、電源スイッチがオフ (O) であり、電源ケーブルが W-6000 PSU モジュールに接続されていないことを確認してください。

4. パワーサプライをシャーシに差し込みます。

LED が左側、電源スイッチが右側になるようにして、パワーサプライの下側にある横向きのハンドルをつかんでパワーサプライを持ちます。電源ケーブル固定用クリップを持ってパワーサプライを取り付けたり、取り外したりしないでください。モジュールの背面側をシャーシのパワーサプライスロットのガイドレールに合わせて、バックプレーン側にゆっくりとスライドさせます。力を入れすぎないでください。モジュールは簡単にスライドするはずですが、パワーサプライがシャーシのバックプレーンに接続される際に、少し抵抗を感じる場合があります。しっかり押し込んでコネクタを接続します。力を入れすぎないでください。

5. パワーサプライを固定します。

モジュールの固定用拘束ネジをドライバーで押し込み、少し抵抗を感じるまで右に回します。ネジを締めすぎないでください。

6. 電源ケーブルをパワーサプライに接続します。



メモ: 電源ケーブルを接続する前に、電源ケーブル固定用クリップを左に倒します。

適切な電源ケーブルを電源入力ソケットに差し込みます。ソケットには、標準的な IEC320 プラグ付のコードを差し込むことができます。

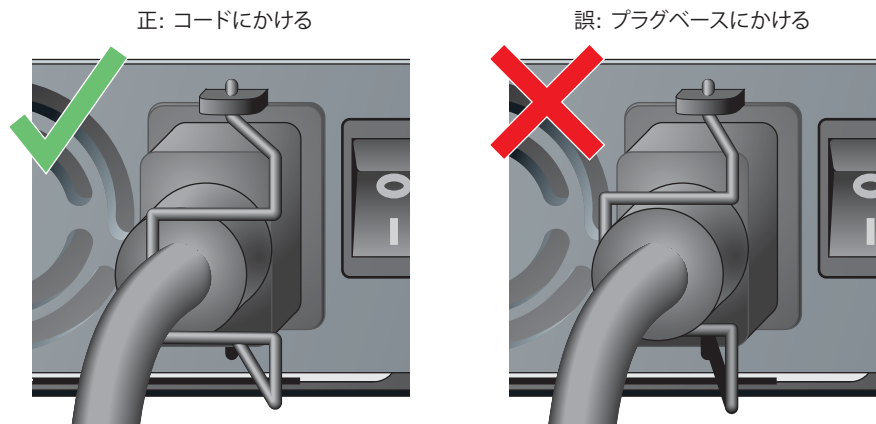


注意: 安全および適切な性能を確保するため、電源ケーブルは、電流定格 10 A で、製品を使用する国の電氣的接地基準を満たしている必要があります。

7. 電源ケーブルを固定します。

電源ケーブルを接続したら、電源ケーブル固定用クリップを 28 ページの図 8 のように右に倒します。誤って抜けないように、電源ケーブルが固定されます。

図 8 電源ケーブル固定用クリップの使用方法



8. 電源ケーブルを適切な電源コンセントに接続します。

設置場所の電源容量が W-6000 の電源負荷に対応していることを確認します。

- 各パワーサプライ (HW-PSU-400) の定格出力合計は 400 W で、85 ~ 264 VAC (50 ~ 60 Hz) を自動検出します。

W-6000 の定格出力合計に応じて、設置場所の電源容量を増加する必要があります。詳細については [27 ページの「電源管理」](#) を参照してください。



注意: 安全のため、プラグにすぐ手が届き、必要に応じてすぐに抜ける位置の電源コンセントを使用してください。



メモ: ラインコンディショナーまたは UPS (無停電電源装置) を使用することにより、供給電源の変動による問題の発生を抑えたり、問題の影響を軽減できる場合があります。ラインコンディショナーなどを使用する場合は、W-6000 コントローラのパワーサプライに対応していることを確認してください。

パワーサプライの取り外し



注意: ほとんどの修理は、認定を受けたサービス技術者のみが行います。製品マニュアルで認められている場合、またはサービス/サポートチームからオンラインや電話で指示された場合にのみ、トラブルシューティングや簡単な修理を実行してください。Dell が許可しないサービスによる損傷は、保証の対象とはなりません。製品に付属する安全に関する指示を読み、これに従ってください。

1. 手順と事前に注意すべき内容をすべて理解していることを確認します。

作業を始める前に、すべての手順に目を通してください。これらすべての手順と 10 ページの手順に記載されている事前注意を確実に理解してください。

2. 取り外すパワーサプライの電源スイッチがオフ (●) の位置にあることを確認します。



注意: 電源スイッチがオン (I) の位置にある状態で、パワーサプライを取り付けたり、取り外したりしないでください。最初に、電源スイッチがオフ (O) であることを必ず確認してください。

3. 取り外すパワーサプライからケーブルを外します。

電源ケーブル固定用クリップを使用している場合は、左に倒してプラグが抜ける状態にします。その後、プラグを抜いてください。

4. パワーサプライを取り外します。

#2 プラスドライバーを使用して、パワーサプライの固定用拘束ネジを左に回してゆるめます (完全に外すことはできません)。パワーサプライのハンドルをしっかりとつかみ、シャーシからモジュールを慎重に引き出します。

5. 空のスロットにカバープレートを取り付けます。

安全を確保し、冷却用の空気の流れを適切に保ってシャーシ内へのほこりの侵入を防ぐため、使用していないスロットにはカバープレートを取り付けてください。

物理仕様

表7 物理仕様

項目	数値
サイズ	高さ 14.9 cm (5.85 インチ) 幅 44.2 cm (17.4 インチ) 奥行 31.8 cm (12.5 インチ)
重量	26.5 kg (58 ポンド) 最大 6.3 kg (13.9 ポンド) シャーシおよびファントレイ 4.4 kg (9.6 ポンド) 各パワーサプライ

環境仕様

表8 環境仕様

項目	数値
温度	動作時: 0 ~ 40 °C (32 ~ 104 °F) 保管時: 0 ~ 50 °C (32 ~ 122 °F) 低レベル警告: 40 °C 高レベル警告: 50 °C 重大レベル警告: 60 °C
湿度	5% ~ 95% (結露なし)
高度	3,048 m (10,000 フィート)、最大

動作仕様

表9 動作仕様

項目	数値
パワーサプライ	モデル HW-PSU-400— 入力: 85-264 VAC、50-60 Hz 出力: 48 V、8 A
消費電力	460W (各パワーサプライ)、最大
ネットワーク管理	HTML Web ブラウザインターフェイス
規格	IEEE 802.1x、IEEE 802.3 10BASE-T、IEEE 802.3u 100BASE-TX、IEEE 802.3ab 1000BASE-T、 IEEE 802.3z 1000BASE-SX

準拠情報

電磁波による干渉

米国

FCC Class A

この機器は、FCC 規則の Part 15 に準じた Class A デジタルデバイスの制限に関する試験に適合しています。これらの制限は、商用環境で機器を使用するときに有害な干渉が発生することを防止するために設定されています。この機器は、無線周波数エネルギーを生成および使用し、および無線周波数エネルギーを放射する可能性があります。設置マニュアルに従って設置および使用しない場合、無線通信で有害な干渉が発生することがあります。この機器を住宅地で使用した場合に有害な干渉が発生すると、ユーザーの自費で干渉を修正する必要があることがあります。

法令準拠の責任を負う当事者の明示的な承認を受けずに変更または改変を行うと、この機器を使用する権限を失う場合があります。

この製品は、FCC 規則の Part 15 に準拠しています。操作には以下の 2 つの条件が適用されます。(1) 本装置は有害な干渉を発生しない。(2) 本装置は、望まない動作の原因となる干渉を含むあらゆる干渉に順応する。

カナダ

このデジタル装置は、カナダ通信省規制 ICES-003 の「デジタル装置」の項目で規定されている、干渉の原因となるデジタル装置からの電波雑音の放射に関するクラス A の制限を超えていません。

Cet appareil numérique respecte les limites de bruits radioélectriques applicables aux appareils numériques de Classe A prescrites dans la norme sur le matériel brouilleur: “Appareils Numériques,” NMB-003 édictée par le ministère des Communications.

日本

VCCI - クラス A

この装置は、情報処理装置等電波障害自主規制協議会（VCCI）の基準に基づくクラス A 情報技術装置です。この装置を家庭環境で使用すると電波妨害を引き起こすことがあります。この場合には使用者が適切な対策を講ずるよう要求されることがあります。

This device complies with Part 15 of the FCC Rules. Operation is subject to the following two conditions: (1) this device may not cause harmful interference, and (2) this device must accept any interference received, including interference that may cause undesired operation.

This Class A digital apparatus complies with Canadian ICES-003.

Cet appareil numérique de la classe A est conforme à la norme NMB-003 du Canada.

Apparatet må tilkoples jordet stikkontakt.

Laite on liitettävä suojamaadoituskoskettimilla varustettuun pistorasiaan.

この装置は、クラス A 情報技術装置です。この装置を家庭環境で使用すると電波妨害を引き起こすことがあります。この場合には使用者が適切な対策を講ずるよう要求されることがあります。

VCCI-A

ヨーロッパ



警告: この機器はクラス A 製品です。この機器は住宅環境で使用した場合に電磁波による干渉が発生すると、ユーザーが適切な措置を講じる必要が生じることがあります。

この製品は EN55022 Class A および EN55024 に準拠しています。

安全性

リチウムバッテリーに関する通知

この製品に含まれているリチウムバッテリーは、指導を受けた技術者のみが交換できます。



注意: 交換方法を誤ると、リチウムバッテリーが破裂する恐れがあります。指導を受けた技術者が、同種のバッテリーまたはメーカー推奨の同等品に交換する必要があります。使用済みバッテリーを廃棄する際はメーカーの指示に従ってください。

レーザーに関する通知

この製品に使用されている Dell PowerConnect W-6000M3 コントローラモジュールでは、一部のポートで交換可能なレーザー送信機を使用しています。



注意: 本書に記載されているもの以外のコントロールまたは手順を使用した場合、危険な無線放射が発生することがあります。

本製品は、21 CFR Chapter 1, Subchapter J, Part 1040.10、および IEC 60825-1: 1993、A1: 1997、A2: 2001、IEC 60825-2: 2000 に準拠しています。

上記のレーザーに関する安全性標準への継続的に準拠するため、製品には認定ベンダーの承認済み Class 1 モデルのみが使用されています。

Dell PowerConnect W-6000 컨트롤러 설치 안내서



저작권

© 2011 Aruba Networks, Inc. AirWave®, Aruba Networks®, Aruba Mobility Management System®, 및 기타 등록 표시는 Aruba Networks, Inc.의 상표이고 Dell™, DELL™ 로고 및 PowerConnect™는 Dell Inc의 상표입니다.

All rights reserved. 이 설명서의 사양은 통보 없이 변경될 수 있습니다.

미국에서 인쇄. 이 설명서에 나타나는 다른 모든 상표는 해당 소유자의 재산입니다.

오픈 소스 코드

특정 Aruba 제품에는 GNU General Public License(GPL), GNU Lesser General Public License(LGPL) 또는 기타 오픈 소스 라이선스에 적용되는 소프트웨어 코드를 포함하여 타사에서 개발된 오픈 소스 소프트웨어 코드가 포함되어 있습니다. 사용된 오픈 소스 코드는 다음 사이트에서 볼 수 있습니다.

http://www.arubanetworks.com/open_source

법적 고지

모든 개인 또는 회사에서 다른 공급업체의 VPN 클라이언트 장치를 중단하기 위해 Aruba Networks, Inc.의 스위칭 플랫폼 및 소프트웨어를 사용하는 것은 이런 행동에 대해 해당 개인 또는 회사가 전적으로 책임을 진다는 것을 수락하는 것이며 Aruba Networks, Inc.는 이러한 공급업체를 대신하여 저작권 위반에 관해 발생할 수 있는 모든 법적 소송으로부터 면책됩니다.

머리말	5
이 설명서 개요	5
관련 문서	5
구문 규칙	5
지원 연락처	6
1장	시스템 개요
기능	7
외형 설명	7
2장	새시 설치
설치 전 체크리스트	9
예방 조치	10
요구 사항	10
최소 구성	10
랙 장착 키트	10
위치 선정	11
새시 랙 장착	12
W-6000M3 컨트롤러 모듈 추가	13
전원 연결	13
3장	설치 확인
4장	팬 트레이
기능	17
자체 복구	17
핫 스왑	17
외형 설명	17
팬 트레이 교체	19
새 팬 트레이 준비	19
기존 팬 트레이 제거	19
새 팬 트레이 삽입	19
5장	Dell PowerConnect W-6000M3
6장	W-6000 전원 공급장치 모듈
기능	23
정격	23
부하 분산	23
중복	23
핫 스왑	23
외형 설명	24
전원 관리	25
W-6000M3 모듈 및 PSU 구성표	25

전원 공급장치 삽입	25
전원 공급장치 제거	27
7장 사양	29
외형	29
환경	29
작동	29
규제 준수	30
전자기 방해	30
미국	30
캐나다	30
일본	30
유럽	31
안전	31
리튬 배터리 고지	31
레이저 고지	31

머리말에는 다음 정보를 포함합니다.

- 이 설명서의 각 절에 대한 개요
- 추가로 참고할 관련 문서 목록
- 이 설명서에 사용되는 다양한 구문 규칙의 요점
- Dell 지원 및 서비스 정보

이 설명서 개요

이 설명서는 Dell PowerConnect W-6000 컨트롤러의 설치 책임이 있는 숙련된 기술자용입니다. 이 매뉴얼의 구성은 다음과 같습니다.

- Dell PowerConnect W-6000 컨트롤러 새시
 - 1, 2 및 3장에서는 W-6000 컨트롤러에 대해 설명하며 새시 장착, 전원 연결 및 초기 전원 켜기 테스트 지침을 제공합니다.
- Dell PowerConnect W-6000M3 컨트롤러 모듈
 - 4, 5 및 6장에서는 특정 모듈에 초점을 맞추며 개별 품목의 설치 또는 교체에 대한 지침을 제공합니다.
- 부록

관련 문서

다음 항목은 Dell 시스템 전체 사용 설명서의 일부입니다.

- *Dell PowerConnect W-6000 컨트롤러 설치 안내서*(이 설명서)
- *Dell PowerConnect ArubaOS 사용자 안내서*
- *Dell PowerConnect W-AP 설치 안내서*

구문 규칙

중요 개념을 강조하기 위해 이 설명서 전체에 걸쳐 다음 규칙이 사용됩니다.

표 1 구문 규칙

기울임꼴	이 스타일은 중요 용어를 강조하고 책의 제목을 표시하는 데 사용됩니다.
시스템 항목	이 고정 폭 글꼴은 다음을 의미합니다. <ul style="list-style-type: none">• 예제 화면 출력• 시스템 프롬프트• 파일 이름, 소프트웨어 장치 및 본문에 언급된 특정 명령어
명령어	명령어 예에서 이 굵은 글꼴은 제시된 명령어를 사용자가 그대로 입력해야 함을 의미합니다.

표 1 구문 규칙

<인수>	<p>명령어 예에서 꺾쇠 괄호 안의 기울임꼴 텍스트는 해당 특정 상황에 사용자가 적합한 정보로 교체해야 하는 항목을 나타냅니다. 예:</p> <p># send <텍스트 메시지></p> <p>이 예에서 사용자는 시스템 프롬프트에서 제시된 명령어와 정확히 같은 "send"를 입력하고 전송을 원하는 텍스트 메시지를 입력해야 합니다. 꺾쇠 괄호는 입력하지 않습니다.</p>
[옵션]	<p>명령어 예에서 괄호로 감싼 항목은 옵션입니다. 괄호는 입력하지 않습니다.</p>
{ 항목 A 항목 B }	<p>명령어 예에서 중괄호 안에 있고 막대로 분리된 항목은 항목이 선택 가능함을 나타냅니다. 한 항목만 입력합니다. 중괄호 또는 막대는 입력하지 않습니다.</p>

지원 연락처

표 2 Dell 연락처 정보

웹사이트	
메인 웹사이트	dell.com
지원 웹사이트	support.dell.com
사용 설명서 웹사이트	support.dell.com/manuals

Dell PowerConnect W-6000 컨트롤러는 무선 액세스 포인트(AP) 및 에어 모니터(AM)를 무선 LAN에 연결, 제어 및 지능적으로 통합하는 엔터프라이즈급 모듈형 새시입니다.

이 장은 W-6000 컨트롤러를 소개합니다. 모듈형 시스템의 일반적 기능을 설명하고 주요 외형적 요소를 그림으로 제시합니다. 시스템과 친해지면 다음 장에서 다루는 설치 과정을 시작할 수 있습니다.

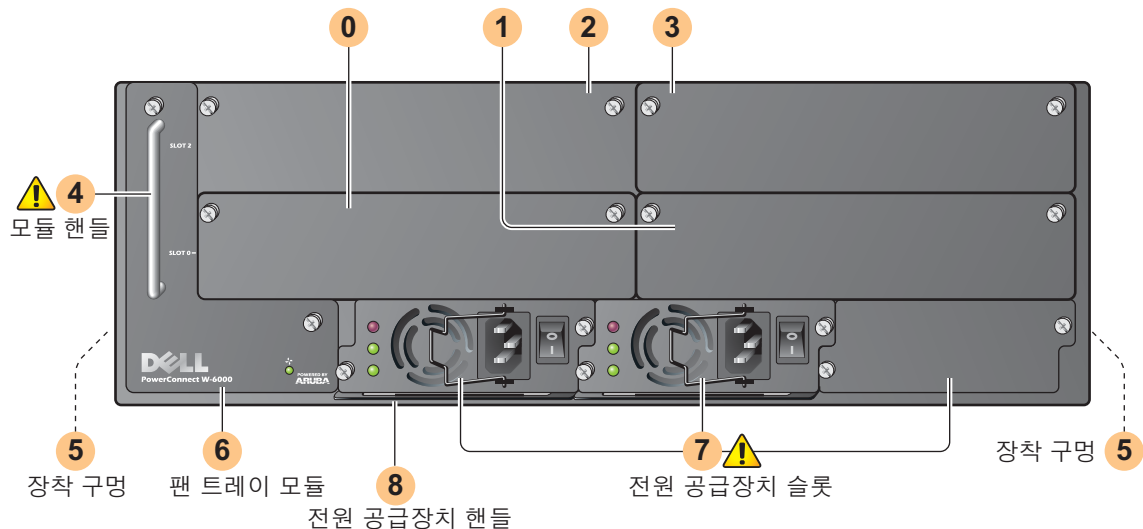
기능

이 절에서는 W-6000 컨트롤러의 일반적인 기능에 대해 알아봅니다.

- 고속 Layer-2/Layer-3 패킷 포워딩 기능이 있는 10/100/1000Mbps 및 10Gbps 이더넷 스위치.
- 고성능 패킷 처리 기능은 부하 조절, 레이트 제한, 자기 회복, 보정, 인증, 이동성, 보안 및 중앙집중식 모니터링과 구성 같은 부가가치 무선 서비스를 제공합니다.
- 3U 새시는 표준 19인치 텔레콤 또는 서버 랙에 장착할 수 있습니다.
- 모듈형 슬롯 기반 새시로서 네트워크 확장과 내고장성을 갖출 수 있습니다.
 - Dell PowerConnect W-6000M3 모듈 최대 4개
 - 중복을 위해 부하 분산 능력이 있는 핫 스왑형 전원 공급장치 최대 3개
 - 중복을 위해 개별 팬 3개를 포함한 팬 트레이

외형 설명

그림 1 Dell PowerConnect W-6000 컨트롤러



- 0 슬롯 0: 이 슬롯은 필요한 Dell PowerConnect W-6000M3 컨트롤러 모듈용입니다.
- 1 슬롯 1: 이 슬롯은 추가 W-6000M3 모듈용입니다.
- 2 슬롯 2: 이 슬롯은 추가 W-6000M3 모듈용입니다.
- 3 슬롯 3: 이 슬롯은 추가 W-6000M3 모듈용입니다.

- 4 모듈 핸들: 모든 모듈 핸들은 개별 모듈을 제거하고 삽입하는 용도로만 사용됩니다.



주의: 모듈 핸들을 사용하여 W-6000 컨트롤러 새시를 들거나 옮기지 마십시오. 핸들을 사용하여 새시를 지지하면 모듈과 새시 모두에 심각한 손상을 야기할 수 있습니다.

- 5 랙 장착 브래킷 부착용 구멍(측면)

- 6 팬 트레이 모듈: W-6000 컨트롤러는 팬 트레이가 새시를 통해 흡입하는 공기로 냉각됩니다. 팬 트레이는 오른쪽에서 왼쪽으로 설치된 모듈을 가로질러 공기를 흡입합니다(새시 전면에서 볼 때).

작동 중에 새시의 왼쪽 및 오른쪽 측면의 공기 통풍구는 케이블 또는 장착 장비로 막히지 않은 상태를 유지해야 합니다. 올바른 공기 순환을 위해 새시 왼쪽과 오른쪽에 최소 10cm(4인치)의 여유 공간을 남기십시오.

- 7 전원 공급장치 슬롯: 새시에는 전원 공급장치 최대 3대용 슬롯이 있습니다. 시스템에 필요한 전원 공급장치의 개수는 설치된 W-6000M3 컨트롤러 모듈의 개수와 사용자가 중복 전원 공급장치를 포함하려는지 여부에 따라 달라집니다. 자세한 내용은 25페이지의 “전원 관리”를 참조하십시오.

각 전원 공급장치에는 자체의 전원 코드와 전원 스위치가 있습니다.



주의: 전원 스위치가 켜짐 위치에 있는 동안 또는 전원 코드가 꽂혀 있을 때 전원 공급장치를 삽입하거나 제거해서는 안 됩니다. 먼저 전원 스위치가 꺼짐에 있고 코드를 뽑는지 확인합니다.



주의: Dell W-6000 컨트롤러 및 그 구성 요소를 취급할 때 올바른 정전기 방전(ESD) 예방 조치를 취해야 합니다.

- 8 전원 공급장치 핸들: 전원 공급장치 제거 또는 삽입할 때 이 핸들을 사용합니다.



주의: 설치하는 숙련된 기술자가 수행해야 합니다.

이 장에서는 다음 설치 항목을 다룹니다.

- 설치 동안 준수할 예방 조치
- W-6000 컨트롤러 구성 요소 및 랙 장착용 하드웨어 요구 사항
- W-6000 컨트롤러의 올바른 환경 선정
- 랙에 W-6000 컨트롤러 장착
- W-6000 컨트롤러에 전원 연결

설치 전 체크리스트

설치 동안 다음이 필요합니다.

- Dell PowerConnect W-6000 컨트롤러
- Dell PowerConnect W-6000 컨트롤러 랙 장착 하드웨어(제공됨)
- 십자 또는 크로스헤드 드라이버
- 19인치 장비 랙 또는 동등품
- 랙의 전, 후, 좌, 우에 10cm(4인치) 여유가 있는 3U 랙 공간
- W-6000 컨트롤러 배치를 도울 보조 기사
- IEC320 커넥터를 가진 최소 10A 정격의 각 전원 공급장치용 전원 코드 1개
- 적합한 전원 공급장치 및 전원(25페이지의 “전원 관리” 참조)
- 차가운 비응축 공기 0 ~ 40°C(32 ~ 104°F): 에어컨이 필요할 수 있음
- RJ-45 또는 DB-9 직렬 포트가 있는 콘솔 단자
- RJ-45 수 커넥터가 있는 RS-232 직렬 케이블
- DB-9가 있는 콘솔에 연결할 경우 직렬 어댑터(제공됨)

예방 조치

주의: 전원 공급장치 모듈이 전기 콘센트에 꽂혀 있는 동안에는 240VAC를 초과하는 위험한 전압이 항상 존재합니다. 이 제품에서 작업할 때 반지, 장신구 및 기타 전도성을 지닌 물체를 벗으십시오.

새시, 전원 공급장치 또는 기타 구성 요소 안에는 전원 공급장치를 끄고 코드를 빼고 분리했다 할지라도 절대 외부 이물질을 넣지 마십시오.

전기 콘센트에서 설치된 모든 전원 공급장치 코드를 빼내 W-6000 컨트롤러에서 주전원을 완전히 분리합니다. 안전을 위해 전원 콘센트와 플러그가 작동자가 쉽게 접근할 수 있는 곳에 있는지 확인합니다.

절연되지 않은 전기 케이블은 만지지 마십시오. 네트워크 케이블이 여기에 포함됩니다.

전기 위험을 최소화하기 위해 제품에서 물과 기타 액체를 멀리 합니다.

제품 설치와 작동의 모든 단계에서 전기 접지 표준을 준수하십시오. W-6000 컨트롤러 새시, 네트워크 포트, 전원 공급장치, 장착 브래킷 등이 다른 곳에 접지된 장치, 케이블, 물체 또는 사람에 접촉되지 않도록 합니다. 또한 장치를 외부 낙뢰 접지원에 연결하면 안 됩니다.

새시 또는 모든 모듈의 설치 또는 제거는 정전기가 없는 환경에서 수행해야 합니다. 정전기 방지 신체용 끈과 매트를 적절히 활용하는 것이 좋습니다.

모듈은 새시에 설치하지 않을 때 정전기 방지 포장에 보관해야 합니다.

이 제품을 강한 전자기, 정전기, 자기 또는 방사선 필드 근처에서 운송/보관하지 마십시오.

새시 또는 모듈을 분해하지 마십시오. 사용자가 서비스할 수 있는 내부 부품이 없습니다. 서비스 또는 수리가 필요할 경우 [6페이지의 "지원 연락처"](#)를 참조하십시오.

요구 사항

최소 구성

Dell PowerConnect W-6000 컨트롤러는 다음 기본 구성 요소를 포함해야 합니다.

- W-6000 컨트롤러 새시 1개
- 팬 트레이 1개
- 슬롯 0에 W-6000M3 컨트롤러 모듈 1개(별도 구매)
- 최소 2개의 400W 전원 공급장치

참고: 필요한 전원 공급장치의 개수는 새시에 설치된 W-6000M3 컨트롤러 모듈의 개수에 의존합니다([25페이지의 "전원 관리"](#) 참조).

W-6000 컨트롤러는 필요한 모든 전원 공급장치와 팬 트레이가 설치되어 납품됩니다. 이 장에 있는 설명과 같이 새시를 설치한 후 이 설명서의 이어지는 장에서 각 추가 모듈 설치에 대한 지침을 참조하십시오.

랙 장착 키트

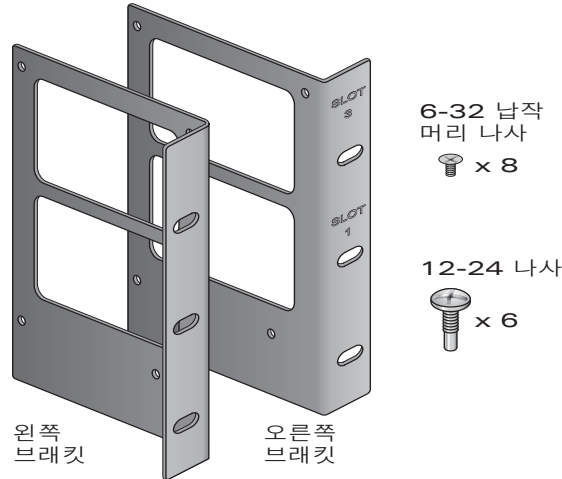
제공된 랙 장착 키트를 사용하여 W-6000 컨트롤러를 표준 19인치 텔레콤 네트워크 장비 랙에 장착할 수 있습니다. 랙 장착 키트에는 다음 부품이 포함됩니다.

- 6-32 x 1/4" 십자 머리 나사(6개 제공)
- 12-24 x 5/8" 십자 머리 나사(4개 포함)

추가로 W-6000 컨트롤러는 19인치 서버 랙에 설치할 수 있습니다. 서버 랙에 설치하려면 다음 제공 품목이 필요합니다.

- 6-32 x 1/4" 십자 머리 나사(6개 제공)
- M6 x 20mm 십자 머리 나사(4개 포함)
- M6 케이지 너트(4개 포함) 또는 M6 케이지 클립(4개 포함)

그림 2 랙 장착 하드웨어(텔레콤 키트 그림)



참고: 랙에 새시를 고정할 목적으로 12-24 나사 6개가 제공됩니다. 일부 랙은 제공되지 않은 다른 나사가 필요합니다. 새시 장착을 시도하기 전에 랙 시스템에 맞는 올바른 나사와 고정구가 준비되었는지 확인하십시오.

위치 선정

W-6000 컨트롤러는 다른 네트워크 및 컴퓨팅 장치와 마찬가지로 “전자제품 우호” 환경이 필요합니다.

- 안정적인 전원

전기 콘센트가 총 정격 400W인 W-6000 컨트롤러(HW-PSU-400) 전원 공급장치와 호환되는지, 85 ~ 264VAC(50 ~ 60Hz)를 수용하는 자동 범위 조정 기능이 있는지 확인하십시오.

전원 코드의 정격은 10A이어야 하며 제품이 사용되는 국가의 접지 전기 표준을 준수해야 합니다.

전원 조절장치 또는 무중단 전원 공급장치(UPS)는 전력 서비스 불안정으로 발생하는 문제를 줄이거나 완화시킬 수 있습니다. 전술한 정보에 기초하여 사용하는 전력 보정 장치의 출력이 W-6000 컨트롤러 전원 공급장치와 호환되는지 확인하십시오.
- 차가운 비응축 환기

올바른 작동을 위해 W-6000 컨트롤러는 0 ~ 40°C(32 ~ 104°F)의 주변 공기 온도 환경이 필요합니다. 습도는 비응축 수준으로 5 ~ 95% 사이로 유지되어야 합니다.

같은 지역에 대단위의 전기 장치가 작동하는 곳에는 추가 에어 컨디셔닝 또는 공기 순환 장비가 필요할 수 있습니다.
- 넓은 공간

올바른 공기 순환을 위해 새시의 전, 후, 좌, 우에 최소 10cm(4인치)의 통풍구용 여유 공간을 남기십시오.

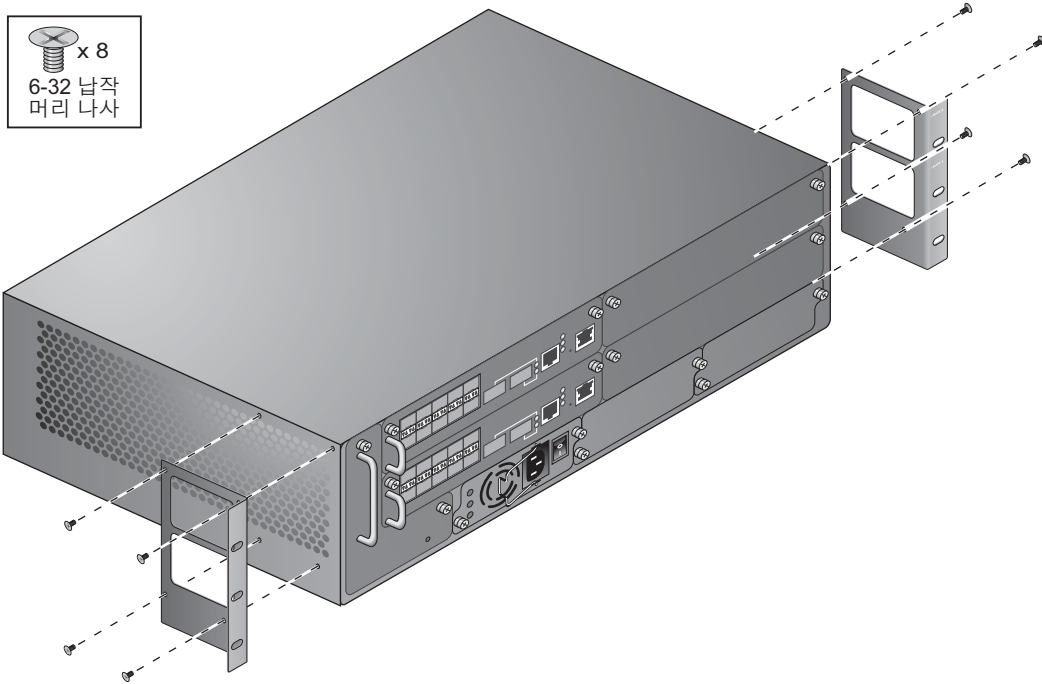
전원 코드, 네트워크 케이블 및 LED 표시등에 접근할 수 있도록 새시 전면에 추가 공간을 남기십시오.
- 제한된 전자기 간섭

최적의 작동을 위해 W-6000 컨트롤러 및 모든 코드와 케이블을 형광등 고정구에서 최소 0.7미터(2피트), 복사기, 무전기, 발전기 및 기타 강한 전자기 방해원에서 2미터(6피트) 떨어뜨리십시오.

새시 랙 장착

1. 랙 환경이 요구 사항을 만족하는지 확인하십시오(11페이지의 “위치 선정” 참조).
2. 12페이지의 그림 3과 같이 새시에 랙 장착 브래킷을 부착합니다.

그림 3 랙 장착 브래킷 부착



슬롯 번호 1과 3으로 표시된 브래킷은 W-6000 컨트롤러 새시의 오른쪽 측면용입니다. 좁은 플랜지가 전면을 향하도록 양 브래킷의 방향을 잡습니다. 올바르게 배치하면 브래킷의 큰 사각 구멍이 측면 통풍구와 겹쳐 작동 중에 올바른 공기 흐름을 제공합니다.

십자 또는 크로스헤드 드라이버를 사용하여 6-32 납작 머리 나사 4개(제공됨)를 각 브래킷에 단단하게 부착합니다.

3. 랙에 W-6000 컨트롤러를 부착합니다.



주의: 인명 상해 또는 장비 손상을 피하려면 W-6000 컨트롤러를 들고 배치하는 데 다른 사람의 도움을 구합니다. 또한 불안정하거나 불균일한 기계적 부하를 야기하는 곳에 W-6000 컨트롤러를 설치하면 안 됩니다.



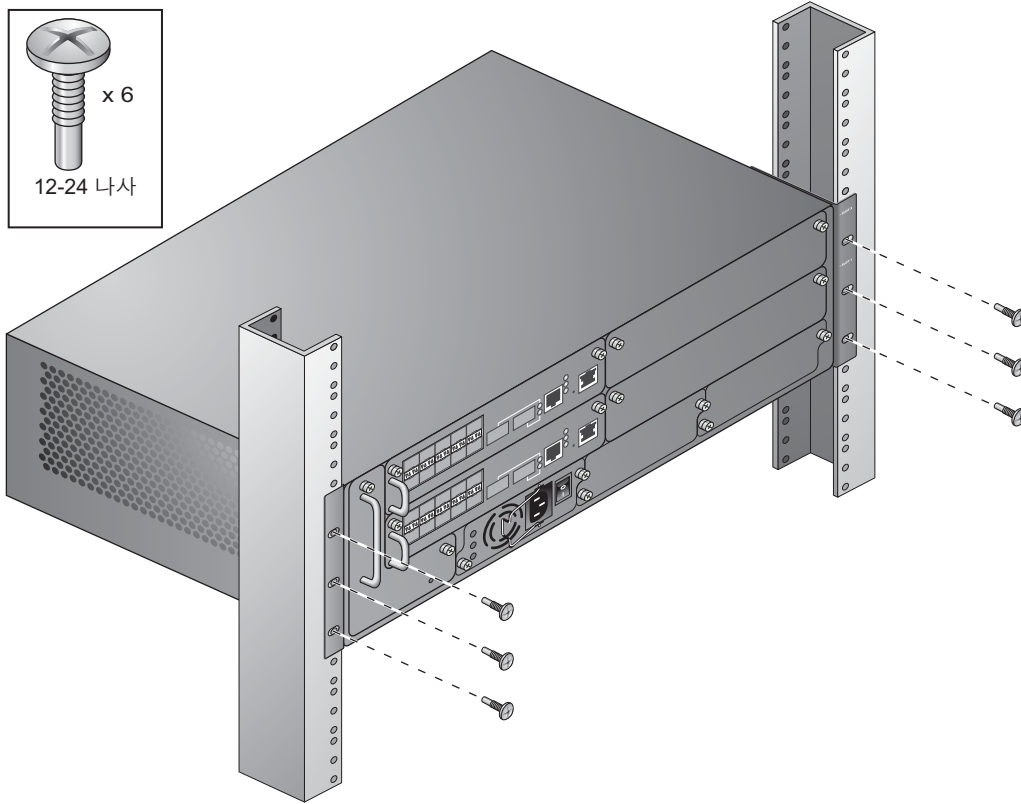
참고: 올바른 작동을 위해 W-6000 컨트롤러는 0 ~ 40°C(32 ~ 104°F)의 주변 공기 온도 환경이 필요합니다. 랙 환경이 이를 준수하는지 확인하십시오.

이 장치를 서버 랙에 설치할 경우 케이지 너트/클립을 먼저 설치합니다. 다음 단계를 완료하여 케이지 너트/클립을 설치합니다.

- a. 케이지의 하단 입구를 삽입하되 레일의 후면 사각 개방구 위로 삽입하여 시작합니다.
- b. 케이지 너트 설치 도구의 작은 끝을 전방에서 보았을 때 레일의 입구를 통해 삽입하고 케이지 너트의 상단 끝에 도구를 겁니다.
- c. 도구를 위로 회전하고 케이지 너트의 상단 끝이 제 위치에 끼워질 때까지 도구를 사용자 쪽으로 당기면서 레일 방향으로 케이지 너트를 누릅니다.
- d. 평소와 같이 W-6000 컨트롤러 설치를 계속합니다.

장비 랙에 새시를 배치하고 브래킷의 장착 구멍을 랙 프레임에 있는 해당 구멍에 일치시킵니다.

그림 4 W-6000 컨트롤러 장착



십자 또는 크로스헤드 드라이버를 사용하여 각 장착 브래킷에 대해 12-24 나사 3개(텔레콤 랙용) 또는 M6 x 20mm 3개(서버 랙용)로 랙에 새시를 고정합니다.



참고: 일부 캐비닛은 제공되지 않은 다른 나사가 필요합니다. 랙 시스템에 맞는 올바른 나사 또는 고정구를 사용하고 있는지 확인하십시오.

W-6000M3 컨트롤러 모듈 추가

새시와 별도로 모듈을 받았을 경우 또는 추가 모듈로 시스템을 확장하려는 경우 이 매뉴얼의 이어지는 장에서 각 모듈 설치에 대한 특정 지침을 참조하십시오.



참고: 모듈을 추가하여 총 전력 부하를 늘릴 수 있습니다. 설치된 모듈에 따라 새시에 전원 공급장치를 추가 및/또는 사이트의 전기 시스템 용량을 늘려야 할 수 있습니다. 자세한 내용은 [25페이지의 "전원 관리"](#)를 참조하십시오.

전원 연결



주의: 이 절차는 숙련된 기술자가 수행해야 합니다.

1. 절차와 모든 예방 조치를 숙지했는지 확인하십시오.

시작하기 전에 전체 절차를 읽으십시오. 이 단계에서 뿐만 아니라 10페이지의 예방 조치를 숙지했는지 확인하십시오.

2. 설치된 전원 공급장치가 전력 부하를 감당할 수 있는지 확인하십시오.

W-6000 컨트롤러에 필요한 전원 공급장치의 개수는 설치된 W-6000M3 컨트롤러 모듈의 개수에 의존합니다. 자세한 내용은 [25페이지의 “전원 관리”](#)를 참조하십시오.

3. 사이트의 전기 시스템이 W-6000 컨트롤러의 전력 부하를 감당할 수 있는지 확인하십시오.

- 각 W-6000 컨트롤러 전원 공급장치(HW-PSU-400)의 정격은 총 400W이며 85 ~ 264VAC(50 ~ 60Hz)를 수용하는 자동 범위 조정 기능이 있습니다.

총 전력 부하에 따라 사이트의 전기 시스템 용량을 늘려야 할 수 있습니다. 자세한 내용은 [25페이지의 “전원 관리”](#)를 참조하십시오.



참고: 전원 조절장치 또는 무중단 전원 공급장치(UPS)는 전력 서비스 불안정으로 발생하는 문제를 줄이거나 완화시킬 수 있습니다. 전문적인 정보에 기초하여 사용하는 전력 보정 장치의 출력이 W-6000 컨트롤러 전원 공급장치와 호환되는지 확인하십시오.

4. 전원 공급장치의 전원 스위치가 꺼짐(●) 위치에 있는지 확인하십시오.



주의: 전원 스위치가 켜짐(I) 위치에 있을 때는 전원 공급장치에 절대 전원 코드를 연결하면 안 됩니다. 전원 스위치가 꺼짐(●)에 있는지 먼저 확인하십시오.

5. 전원 코드를 전원 공급장치에 부착합니다.

적합한 전원 코드를 전원 입력 소켓에 꽂습니다. 소켓은 표준 IEC320 플러그가 있는 전원 코드와 맞습니다.



주의: 올바른 안전과 성능을 위해 전원 코드의 정격은 10A0이어야 하며 제품이 사용되는 국가의 접지 전기 표준을 준수해야 합니다.



참고: 400W 전원 공급장치(HW-PSU-400)에는 전원 코드 고정 클립이 제공됩니다. 전원 코드를 부착할 때 클립을 사용하여 코드를 제자리에 고정하여, 부주의로 전원 코드가 당겨 빠지는 사고를 예방합니다([26페이지의 그림 8](#) 참조).

6. 전원 코드를 올바른 전기 콘센트에 부착합니다.



주의: 안전을 위해 전원 콘센트와 플러그가 작동자가 쉽게 접근할 수 있는 곳에 있고, 필요하면 재빨리 분리할 수 있는지 확인합니다.

설치된 각 전원 공급장치에 대해 위 절차 4, 5 및 6을 반복합니다.

전원이 연결되면 전원 켜기 테스트를 수행할 수 있습니다(15페이지 참조).

W-6000 컨트롤러가 설치되었으면 다음과 같이 전원 켜기 테스트를 실행합니다.

1. 설치된 모든 전원 공급장치의 전원을 빠른 순서로 켭니다.
각 전원 공급장치에서 전원 스위치를 켜짐(I) 위치에 놓습니다.



참고: 켜질 첫 전원 공급장치에 과부하가 걸리는 것을 방지하기 위해 필요한 모든 전원 공급장치를 거의 동시(약 3초 내)에 켜야 합니다.

2. 전원 표시등이 올바른지 확인합니다.

전원을 켜 즉시 다음을 관찰해야 합니다.

- 모든 전원 공급장치 AC OK 및 DC OK LED 표시등이 녹색으로 켜진 상태.
- 팬 트레이 팬 상태 LED는 녹색으로 켜진 상태이며 새시 통풍구의 각 팬 위치 3곳에서 상당량의 공기 흐름을 느낄 수 있어야 합니다.

3. 작동 표시등이 올바른지 확인합니다.

시스템이 성공적으로 부팅되면 다음을 관찰해야 합니다.

- 전원 공급장치 AC OK 및 DC OK LED가 여전히 녹색으로 켜진 상태입니다.
- 팬 트레이 팬 상태 LED가 여전히 녹색이 켜진 상태입니다.



참고: LED 동작에 대한 자세한 정보는 특정 모듈의 개별 장을 참조하십시오.

4. 시스템이 초기 전원 켜기 테스트를 통과하면:

- 적합한 네트워크 케이블을 연결합니다.

5. 이제 *Aruba 빠른 시작 안내서*(액세서리 키트에 포함)에서 설명한 대로 컨트롤러에 로드된 소프트웨어의 초기 설정을 수행할 준비가 되었습니다.

Dell PowerConnect W-6000 컨트롤러 팬 트레이(HW-FT)는 Dell PowerConnect W-6000 컨트롤러 새시 내부의 W-6000M3 모듈 냉각을 위한 공기 순환을 제공하며 정상 작동을 위해 필수입니다. W-6000 컨트롤러 새시의 정상 작동 온도는 0 ~ 40°C(32 ~ 104°F) 사이입니다. 이 온도 범위가 초과할 경우 W-6000에서 소프트웨어를 통해 경고를 생성하여 이 사실을 사용자에게 알립니다. 다음 표에서는 이러한 정보와 임계값에 대해 설명합니다.

표 3 온도 임계값

경보 심각도	임계값
경	40°C
중	50°C
긴급	60°C

이 장에서는 팬 트레이의 일반적 기능과 외형적 특성에 대해 설명하며, 필요할 경우 모듈 교체 지침을 제공합니다.

기능

자체 복구

팬 트레이에 3개의 팬이 제공됩니다. 이 모듈은 팬 하나가 고장 나더라도 여전히 냉각을 제공할 수 있도록 설계되었습니다. 작동하는 2개의 팬이 팬 트레이를 교체할 때까지 적절한 냉각을 위해 충분한 공기 흐름을 제공합니다.

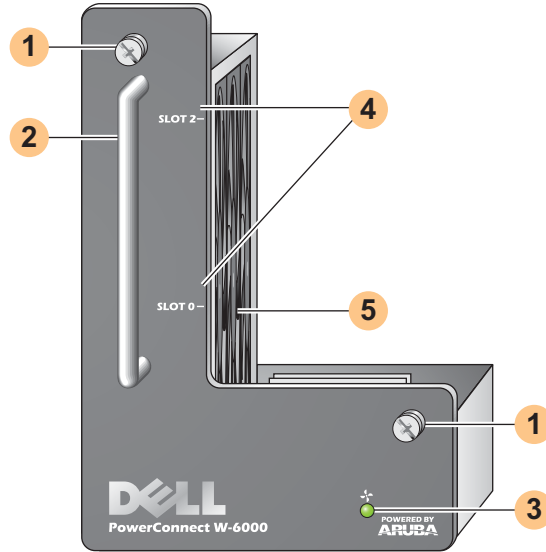
핫 스왑

핫 스왑은 숙련된 기술자가 수행해야 합니다. 핫 스왑 기능은 시스템을 끌 필요 없이 팬 트레이를 교체할 수 있게 합니다. 교체 작업 중에 새시는 팬 없이 기능을 계속합니다. 하지만 교체는 1분 내에 완료되어야 올바른 냉각을 재개할 수 있습니다.

외형 설명

팬 트레이 슬롯은 W-6000 컨트롤러 새시의 왼쪽에 있으며 새시 전면에서 후면으로 뻗어 있습니다.

그림 5 Dell W-6000 컨트롤러 시리즈 팬 트레이



- 1 모듈 고정 나사: 이 캡티브 나사는 모듈을 새시 팬 트레이 슬롯에 고정하는 데 사용됩니다.
- 2 모듈 핸들: 이 핸들은 모듈을 새시에서 제거하거나 다시 삽입하는 데 사용됩니다.



주의: 팬 트레이 핸들을 사용하여 W-6000 컨트롤러를 들거나 옮기지 마십시오. 심각한 손상을 가져올 수 있습니다.

- 3 팬 상태 LED: 작동 중에 팬 상태 LED는 다음과 같은 정보를 제공합니다.

표 4 팬 트레이 LED 동작

상태	설명
꺼짐	팬 트레이가 작동 중이 아닙니다.
녹색	팬 트레이에 전원이 공급되고 있으며 팬 3개 모두 올바르게 작동 중입니다.
황색	팬 하나가 고장입니다. 하지만 팬 트레이를 용이하게 교체할 수 있을 때까지 남은 팬 2개가 충분한 냉각을 제공할 수 있습니다.
적색	팬 둘 이상이 고장입니다. 팬 트레이를 즉시 교체하십시오.



참고: LED뿐만 아니라 CLI를 통해 팬 트레이 상태와 전체 새시 온도를 볼 수 있습니다.

- 4 슬롯 레이블: 팬 트레이가 W-6000 컨트롤러에 설치되었을 때, 이 레이블은 팬 트레이 바로 오른쪽에서 모듈 슬롯의 이름을 지정합니다(7페이지의 그림 1 참조).
- 5 팬(측면): 개별 팬 3개가 W-6000 컨트롤러 카드의 냉각에 중복성을 제공합니다.

팬 트레이 교체



주의: 수리의 많은 부분은 공인 서비스 기술자만 수행할 수 있습니다. 귀하는 제품 설명서에서 허가하거나 온라인 또는 전화 서비스 및 지원 팀에서 지시한 대로 문제 해결과 간단한 수리만 수행할 수 있습니다. Dell에서 허가하지 않은 서비스로 인해 발생한 손상은 보증을 받을 수 없습니다. 제품과 함께 제공된 안전 지침을 읽고 따르십시오.

팬 트레이를 핫 스왑하는 경우 핫 스왑하는 부품에 시간적인 요소가 매우 중요함에 유의하십시오. 준비에 만전을 기하기 위해 교체를 시도하기 전에 절차의 모든 단계를 주의 깊게 읽으십시오.

또한 이 단계에서 뿐만 아니라 10페이지의 예방 조치를 숙지하십시오.

새 팬 트레이 준비

1. 새 팬 트레이 포장 해체
2. 새 팬 트레이를 검사하여 손상 유무를 확인합니다.
3. 새 팬 트레이를 새시 근처의 안전하고 접근이 용이한 곳에 놓아 즉시 삽입할 수 있도록 준비합니다.
4. 2번 십자 또는 크로스헤드 드라이버를 준비합니다.

기존 팬 트레이 제거

1. 팬 트레이 고정 나사를 풀니다.
W-6000 컨트롤러 전면에서 드라이버를 사용하여, 설치된 팬 트레이 앞판의 양 고정 나사를 풀니다. 나사는 반시계 방향으로 풀지만 캡티브 나사이기 때문에 완전히 제거되지는 않습니다.
2. 팬 트레이를 분리합니다.
모듈 핸들을 단단히 쥐고 슬롯에서 팬 트레이를 앞쪽으로 잡아 당깁니다. 모듈이 새시 백플레인의 연결부에서 풀릴 때 어느 정도의 저항이 있을 수 있지만 무리한 힘을 가해서는 안 됩니다.
모듈이 백플레인에서 완전히 분리될 때 작동하는 팬의 전원이 손실되며 점차적으로 회전을 멈춥니다.

주의: 팬은 전원이 공급되지 않더라도 잠깐 동안 회전을 계속합니다. 팬 트레이를 제거하기 전에 팬이 정지할 때까지 기다립니다.



또한 핫 스왑 시 팬이 회전을 멈추면 작동 구성 요소에 열이 쌓이더라도 W-6000 컨트롤러가 작동을 계속합니다. 이 시점부터 새 팬 트레이 설치를 완료해야 하는 제한 시간은 1분입니다.

W-6000 컨트롤러에는 온도 차단 기능이 없기 때문에 1분 제한 시간을 준수해야 합니다. 1분 내에 팬 트레이를 교체할 수 없을 경우 컨트롤러를 종료하십시오.

3. 분리가 완료되면 팬 트레이가 새시에서 쉽게 미끄러져 나옵니다. 팬 트레이를 완전히 제거하고 옆에 안전하게 치워 놓습니다.

새 팬 트레이 삽입

1. 전면 패널에 제공된 핸들을 잡아 새 팬 트레이 들어 올립니다.
2. 조심스럽게 팬 트레이를 새시 팬 트레이 슬롯에 삽입합니다.
팬 트레이 후면을 새시 팬 트레이의 가이드 레일과 일치시키고 부드럽게 백플레인 쪽을 향해 밀어 넣습니다. 모듈이 거의 끝까지 쉽게 미끄러져 들어갑니다.
3. 팬 트레이를 결합합니다.
팬 트레이가 새시 후면에 도달하면 약간의 저항이 느껴질 수 있습니다. 모듈 후면의 커넥터가 백플레인과 결합되도록 세게 밀어줍니다. 하지만 무리한 힘을 가해서는 안 됩니다.
팬 트레이를 핫 스왑할 때 커넥터가 올바르게 결합되면 팬 전원이 복구되며 팬이 회전을 시작합니다.

4. 모든 팬의 작동 여부를 점검하십시오.

핫 스왑 중 모듈을 백플레인에 결합하던 콜드 스왑 후 시스템 전원을 켜든 팬 트레이에 전원이 복구되면, 팬 상태 LED는 녹색이며 새시 통풍구의 각 팬 위치에서 상당한 공기 흐름이 지나가는 것을 느낄 수 있습니다.

팬이 모두 작동할 경우 핫 스왑 절차의 시간 제한 요소는 사라집니다.

새로 핫 스왑한 팬 트레이 중 *하나*가 작동하지 않을 경우(팬 상태 LED 노란색), 또 다시 핫 스왑 교체를 시도하기 전에 남은 팬이 새시를 냉각할 수 있도록 최소한 3분 동안 그대로 둡니다.



주의: 새로 핫 스왑한 팬 중 둘 이상이 작동하지 않을 경우(팬 상태 LED 적색), W-6000 컨트롤러를 종료하고 팬 트레이를 교체하고 다시 켜기 전에 냉각될 때까지 W-6000 컨트롤러를 최소한 5분 동안 그대로 둡니다.

5. 팬 트레이를 고정합니다.

드라이버를 사용하여 새로 설치한 팬 트레이의 앞판에 양 고정 나사를 밀어 넣고 조입니다. 약간의 저항이 느껴질 때까지 나사를 시계 방향으로 돌립니다. 하지만 지나치게 조여서는 안 됩니다.

Dell PowerConnect W-6000M3은 W-6000 컨트롤러 새시 시스템 내에서 사용하는 핫 스왑형 컨트롤러 모듈입니다. W-6000 컨트롤러 새시는 각기 마스터 또는 로컬로 구성할 수 있는 모듈을 최대 4개 수용할 수 있습니다. 설치 지침, 호환성 및 구성 옵션을 포함한 W-6000M3에 관한 전체 내용은 *Dell PowerConnect W-6000M3 설치 안내서*를 참조하십시오. 전원 관리에 대한 자세한 내용은 [25페이지의 “전원 관리”](#)를 참조하십시오.

각 W-6000M3 컨트롤러 모듈은 Dell AP 업그레이드 라이선스를 사용하여 캠퍼스 연결된 AP를 최대 512개까지 지원할 수 있습니다. 가용한 소프트웨어 라이선스의 전체 목록에 대해서는 Dell 영업 담당자에게 문의하십시오.

Dell PowerConnect W-6000M3 컨트롤러 모듈의 설치 및 작동에 대한 정보는 각 모듈에 포함된 *Dell PowerConnect W-6000M3 컨트롤러 모듈 설치 안내서*를 참조하십시오.

Dell PowerConnect W-6000 컨트롤러 전원 공급장치는 W-6000 컨트롤러에 사용하는 전원 어댑터입니다. W-6000 새시에는 부하 분산과 내고장성을 지원하기 위해 개별 전원 공급장치를 수용할 수 있는 슬롯 3개가 있습니다.

이 장에서는 전원 공급장치의 일반적 기능과 외형적 특성에 대해 설명하며 중요 소비 전력 전력 관리 정보를 제공합니다. 이 장의 마지막 절에서는 전원 공급장치의 삽입과 제거에 필요한 단계를 다룹니다.

기능

정격

Dell W-6000 전원 공급장치(HW-PSU-400)의 정격은 총 400W 출력이며 85 ~ 264VAC(50 ~ 60Hz)를 수용하는 자동 범위 조정 기능이 있습니다. 400W 전원 공급장치를 W-6000 컨트롤러에 최대 3개 설치할 수 있습니다.

부하 분산

같은 정격의 전원 공급장치 하나 이상이 W-6000 컨트롤러에 설치되어 켜져 있을 때 부하 분산이 일어납니다. 부하 분산 기능은 W-6000의 총 전력 부하를 쪼개 있는 모든 전원 공급장치 모듈로 나눕니다. 전원 공급장치는 일체로 작동하기 때문에 새시의 유효 전력 용량은 각 추가 전원 공급장치를 추가할 때마다 늘어납니다.

중복

여러 전원 공급장치가 설치되어 있을 때 하나를 사용할 수 없게 될 경우(고장 또는 끄거나 제거) 남은 전원 공급장치가 W-6000 컨트롤러의 전체 전력을 제공합니다. 총 전력 부하가 작동 가능한 남은 전원 공급장치의 결합 정격 출력을 초과하지 않을 경우 W-6000은 정상 작동을 계속합니다. 전원 공급장치 구성에 대해서는 [25페이지](#)의 “전원 관리”를 참조하십시오.

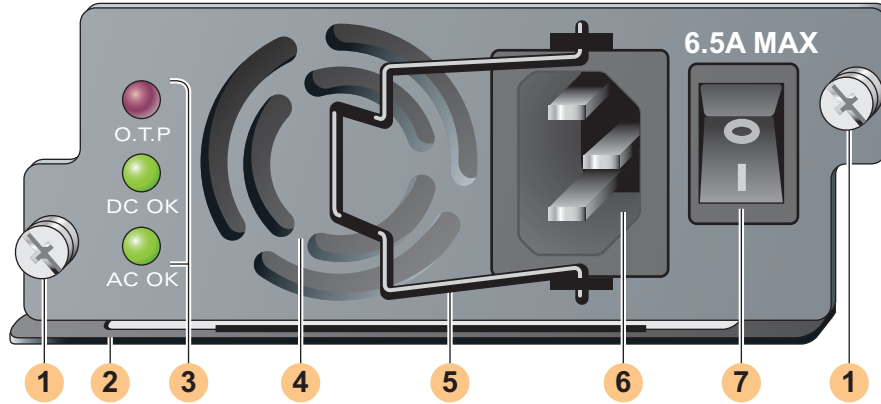
핫 스왑

핫 스왑은 숙련된 기술자가 수행해야 합니다. 핫 스왑은 정상인 다른 전원 공급장치가 전체 전력을 공급하면서 고장 난 전원 공급장치를 교체할 수 있게 해주는 기능입니다. 이 기능을 통해 교체하는 동안 W-6000 컨트롤러의 전원을 끌 필요가 없습니다.

핫 스왑이 가능하려면 원하는 전원 공급장치를 제거한 후에도 새시의 총 전력 부하가 남은 전원 공급장치의 결합 정격 출력을 초과하지 않아야 합니다.

외형 설명

그림 6 400W 전원 공급장치



- 1 모듈 고정 나사: 이 캡티브 고정 나사 2개가 전원 공급장치를 새시의 제자리에 고정합니다.
- 2 모듈 핸들: 이 핸들은 모듈을 W-6000 새시에 삽입하거나 제거하는 데 사용됩니다.



주의: 전원 공급장치 핸들을 사용하여 W-6000 컨트롤러를 들거나 옮기면 안 됩니다. 심각한 손상을 가져올 수 있습니다.

- 3 LED 표시등

표 5 400W 전원 공급장치 LED

LED 이름	위치	상태	설명
O.T.P. (과열 방지)	상단	꺼짐	전원 공급장치 온도가 정상입니다.
		적색	전원 공급장치 팬이 고장났거나 온도가 너무 높습니다.
DC OK	중간	녹색	직류 출력이 정상입니다.
		적색	직류 출력이 공차 범위를 벗어납니다.
AC OK	하단	녹색	교류 출력이 정상입니다.
		적색	교류 출력이 공차 범위를 벗어납니다.



참고: LED뿐만 아니라 CLI를 통해 전원 공급장치 상태를 볼 수 있습니다.

- 4 흡기 통풍구: 이 흡기 통풍구는 작동 중인 전원 공급장치를 냉각시키는 내부 팬에 도움을 줍니다. 막힘을 방지하려면 모든 물건을 통풍구에서 최소 10cm(4인치) 떨어뜨려 놓으십시오.
- 5 전원 코드 고정 클립: 이 클립은 플러그가 전원 입력 소켓에 삽입된 후 전원 코드 위에 결합합니다. 부주의로 전원 코드가 당겨 빠지는 사고를 예방합니다.



주의: 전원 코드 고정 클립을 사용하여 전원 공급장치 모듈을 제거하거나 W-6000을 들거나 옮기면 안 됩니다.

- 6 전원 입력 소켓: 이 전원 소켓은 표준 IEC320 커넥터가 있는 전원 코드를 수용합니다. 올바른 안전과 성능을 위해 코드 정격은 10A이어야 하며 제품이 사용되는 국가의 접지 전기 표준을 준수해야 합니다.
- 7 전원 스위치: 전원 스위치에는 꺼짐(●)과 켜짐(⌋)의 2가지 상태가 있습니다.

전원 관리

W-6000 컨트롤러는 400W 전원 공급장치를 최대 3개까지 지원합니다. 400 ~ 800W의 1차 전력에 1차 전원 공급장치를 하나 또는 두 개를 사용할 경우 400W 중복 전원 공급장치를 사용하는 것이 가능합니다.

최대 용량을 설계하려면 새시 구성의 모든 모듈에 필요한 최대 인출 전력을 추가하여 필요한 전원 공급장치 개수를 파악합니다.

W-6000M3 모듈 및 PSU 구성표

다음 표에서는 W-6000M3 모듈 구성, 결과적 전원 공급장치 구성 및 전력 사용량을 나타냅니다.

표 6 전원 공급장치 및 모듈 구성

모듈	유닛 개수			
W-6000M3 컨트롤러 모듈 (130W: 개당 최대 인출 전력)	1	2	3	4
총 인출 전력(W)	130	260	390	520
필요한 PSU 개수	1	1	1	2
중복 PSU 개수	1 또는 2	1 또는 2	1 또는 2	1

전원 공급장치 삽입



주의: 수리의 많은 부분은 공인 서비스 기술자만 수행할 수 있습니다. 귀하는 제품 설명서에서 허가하거나 온라인 또는 전화 서비스 및 지원 팀에서 지시한 대로 문제 해결과 간단한 수리만 수행할 수 있습니다. Dell에서 허가하지 않은 서비스로 인해 발생한 손상은 보증을 받을 수 없습니다. 제품과 함께 제공된 안전 지침을 읽고 따르십시오.

- 절차와 모든 예방 조치를 숙지했는지 확인하십시오.
시작하기 전에 전체 절차를 읽으십시오. 이 단계에서 뿐만 아니라 10페이지의 예방 조치를 숙지했는지 확인하십시오.
- 전원 공급장치가 들어갈 전원 공급장치 슬롯을 선정합니다.
 - 400W 전원 공급장치(HW-PSU-400)는 전원 공급장치 슬롯 아무 곳에 설치할 수 있으며 전원 공급장치 슬롯 아무 곳을 비워 놓아도 괜찮습니다. 이것은 전원 공급장치를 슬롯에 설치할 때 필요한 특정 순서가 없다는 뜻입니다.

그림 7 400W 전원 공급장치 설치됨



이전에 설치된 전원 공급장치를 교체할 경우 먼저 27페이지의 “전원 공급장치 제거”를 참조하십시오.

전원 공급장치를 빈 슬롯에 설치할 경우 먼저 블랭크 커버 플레이트를 제거해야 할 수 있습니다. 제거해야 할 경우 2번 십자 또는 크로스헤드 드라이버를 사용하십시오. 앞판의 캡티브 고정 나사를 반시계 방향으로 돌려 헐겁게 풀니다(완전히 빼낼 수는 없음). 커버 플레이트를 제거하여 안전한 곳에 보관합니다.

3. 설치할 전원 공급장치의 전원 스위치가 꺼짐(●)에 있는지 확인하십시오.



주의: 전원 스위치가 켜짐(I) 위치에 있거나 전원 코드가 전원 공급장치 모듈에 꽂혀 있을 경우 전원 공급장치를 삽입하거나 제거하면 안 됩니다. 전원 스위치가 꺼짐(●)에 있는지 먼저 확인하고 전원 코드가 W-6000 PSU 모듈에서 빠져 있는지 확인하십시오.

4. 전원 공급장치를 새시에 삽입합니다.

LED가 왼쪽, 전원 스위치가 오른쪽에 오도록 전원 공급장치에 부착된 핸들과 하단을 잡습니다. 전원 코드 부착 클립을 사용하여 전원 공급장치를 삽입하거나 제거하면 안 됩니다. 모듈 후면을 새시 전원 공급장치 슬롯의 가이드 레일에 일치시키고 모듈을 백플레인 방향으로 부드럽게 밀니다. 모듈에 센 힘을 가하지 마십시오. 모듈이 거의 끝까지 쉽게 미끄러져 들어갑니다. 전원 공급장치가 새시 후면의 커넥터와 만나면 어느 정도 저항이 느껴질 수 있습니다. 세게 밀어 커넥터를 결합합니다. 하지만 무리한 힘을 가하면 안 됩니다.

5. 전원 공급장치를 고정합니다.

드라이버를 사용하여 모듈의 캡티브 고정 나사를 밀어 넣고 어느 정도 저항이 느껴질 때까지 시계 방향으로 돌립니다. 무리하게 조이지 마십시오.

6. 전원 코드를 전원 공급장치에 부착합니다.



참고: 전원 코드를 부착하기 전에 코드 고정 클립을 왼쪽으로 돌립니다.

적합한 전원 코드를 전원 입력 소켓에 꽂습니다. 소켓은 표준 IEC320 플러그가 있는 전원 코드와 맞습니다.

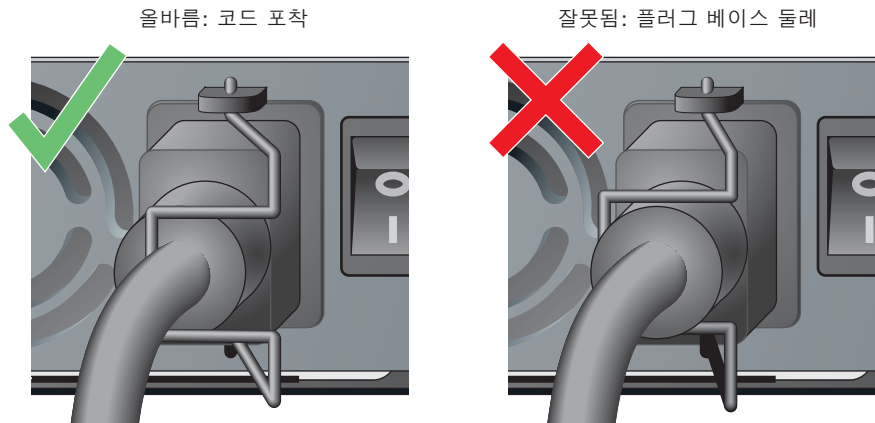


주의: 올바른 안전과 성능을 위해 전원 코드의 정격은 10A이어야 하며 제품이 사용되는 국가의 접지 전기 표준을 준수해야 합니다.

7. 전원 코드를 고정합니다.

전원 코드가 부착될 때 [26페이지의 그림 8](#)과 같이 전원 코드 고정 클립을 오른쪽으로 돌립니다. 플러그를 제자리에 고정하여 부주의로 당겨 빠지는 사고를 예방합니다.

그림 8 전원 코드 고정 클립 사용



8. 전원 코드를 올바른 전기 콘센트에 부착합니다.

사이트의 전기 시스템이 W-6000의 전력 부하를 감당할 수 있는지 확인하십시오.

- 각 전원 공급장치(HW-PSU-400)의 정격은 총 400W이며 85 ~ 264VAC(50 ~ 60Hz)를 수용하는 자동 범위 조정 기능이 있습니다.

W-6000의 총 전력 부하에 따라 사이트의 전기 시스템 용량을 늘려야 할 수 있습니다. 자세한 내용은 [25페이지](#)의 “전원 관리”를 참조하십시오.



주의: 안전을 위해 전원 콘센트와 플러그가 작동자가 쉽게 접근할 수 있는 곳에 있고, 필요하면 재빨리 분리할 수 있는지 확인합니다.



참고: 전원 조절장치 또는 무중단 전원 공급장치(UPS)는 전력 서비스 불안정으로 발생하는 문제를 줄이거나 완화시킬 수 있습니다. 사용하는 전력 보정 장치의 출력이 W-6000 컨트롤러 전원 공급장치와 호환되는지 확인하십시오.

전원 공급장치 제거



주의: 수리의 많은 부분은 공인 서비스 기술자만 수행할 수 있습니다. 귀하는 제품 설명서에서 허가하거나 온라인 또는 전화 서비스 및 지원 팀에서 지시한 대로 문제 해결과 간단한 수리만 수행할 수 있습니다. Dell에서 허가하지 않은 서비스로 인해 발생한 손상은 보증을 받을 수 없습니다. 제품과 함께 제공된 안전 지침을 읽고 따르십시오.

1. 절차와 모든 예방 조치를 숙지했는지 확인하십시오.

시작하기 전에 전체 절차를 읽으십시오. 이 단계에서 뿐만 아니라 10페이지의 예방 조치를 숙지했는지 확인하십시오.

2. 제거할 전원 공급장치의 전원 스위치가 꺼짐(○) 위치에 있는지 확인하십시오.



주의: 전원 스위치가 켜짐(II) 위치에 있을 때는 전원 공급장치를 삽입하거나 제거하면 안 됩니다. 전원 스위치가 꺼짐(○)에 있는지 먼저 확인하십시오.

3. 제거할 전원 공급장치의 플러그를 뽑습니다.

전원 코드 고정 클립을 사용하는 경우 먼저 왼쪽으로 돌려 플러그에 제거합니다. 그런 후 플러그를 제거합니다.

4. 전원 공급장치를 제거합니다.

2번 십자 또는 크로스헤드 드라이버를 사용하여 전원 공급장치의 캡티브 고정 나사를 반시계 방향으로 돌려 헐겁게 풀니다(완전히 빼낼 수는 없음). 전원 공급장치의 핸들을 세계 잡고 모듈을 새시 밖으로 조심스럽게 당겨 빼냅니다.

5. 빈 슬롯은 커버를 씌웁니다.

안전을 고려하고 올바른 냉각용 공기 흐름을 도모하고 새시에 먼지가 들어가는 것을 방지하기 위해 빈 슬롯에는 블랭크 커버 플레이트를 씌우십시오.

외형

표 7 장비 사양

항목	치수
크기	높이 14.9cm(5.85인치) 폭 44.2cm(17.4인치) 깊이 31.8cm(12.5인치)
무게	26.5KG(58lbs.) 최대 6.3KG(13.9lbs.) 새시 및 팬 트레이 4.4KG(9.6lbs.) 각 전원 공급장치

환경

표 8 환경 사양

항목	치수
온도	작동: 0 ~ 40°C(32 ~ 104°F) 보관: 0 ~ 50°C(32 ~ 122°F) 경 경보: 40°C 주 경보: 50°C 긴급 경보: 60°C
습도	5% ~ 95%(비응축)
고도	3,048m(10,000피트), 최대

작동

표 9 작동 사양

항목	치수
전원 공급장치	모델 HW-PSU-400— 입력: 85-264VAC, 50-60Hz 출력: 48V, 8A
소비 전력	460W(전원 공급장치 당), 최대
네트워크 관리	HTML 웹 브라우저 인터페이스
표준	IEEE 802.1x, IEEE 802.3 10BASE-T, IEEE 802.3u 100BASE-TX, IEEE 802.3ab 1000BASE-T, IEEE 802.3z 1000BASE-SX

규제 준수

전자기 방해

미국

FCC Class A

이 장치는 FCC 규정 Part 15에 준하여 테스트되었으며 Class A 디지털 장치의 제한을 준수하는 것으로 판명되었습니다. 이런 제한은 장비를 상업적인 환경에서 운용할 때 유해한 혼신으로부터 적절히 보호하기 위해 도입되었습니다. 이 장비는 무선 주파수 에너지를 생성, 사용 및 방사할 수 있으며 지침 설명서에 맞게 설치 및 사용하지 않는 경우 무선 통신에 유해한 혼신이 발생할 수 있습니다. 거주 지역에서 이 장비를 운용하는 경우 유해한 혼신이 발생할 수 있으며 이 경우 사용자 스스로 이런 영향이 발생하지 않도록 해야 합니다.

준수 책임이 있는 당사자의 명시적 허가 없이 변경 또는 수정할 경우 이 장비를 작동하는 사용자의 권리가 무효화될 수 있습니다.

이 제품은 FCC 규정 Part 15를 준수합니다. 다음 두 조건에서 작동해야 합니다. (1) 이 장치는 유해한 혼신을 유발하지 않습니다. (2) 이 장치는 원하지 않는 작동을 발생시킬 수 있는 혼신을 포함하여 모든 혼신을 수용해야 합니다.

캐나다

이 디지털 장치는 통신부 ICES-003 "디지털 장치" 제목의 혼신 유발 장비 표준에 설명된 디지털 장치의 무선 노이드 방출 Class A 제한을 초과하지 않습니다.

Cet appareil numérique respecte les limites de bruits radioélectriques applicables aux appareils numériques de Classe A prescrites dans la norme sur le matériel brouilleur: "Appareils Numériques," NMB-003 édictée par le ministère des Communications.

일본

VCCI - Class A

この装置は、情報処理装置等電波障害自主規制協議会（VCCI）の基準に基づくクラスA情報技術装置です。この装置を家庭環境で使用すると電波妨害を引き起こすことがあります。この場合には使用者が適切な対策を講ずるよう要求されることがあります。

This device complies with Part 15 of the FCC Rules. Operation is subject to the following two conditions: (1) this device may not cause harmful interference, and (2) this device must accept any interference received, including interference that may cause undesired operation.

This Class A digital apparatus complies with Canadian ICES-003.
Cet appareil numérique de la classe A est conforme à la norme NMB-003 du Canada.

Apparatet må tilkoples jordet stikkontakt.

Laite on liitettävä suojamaadoituskoskettimilla varustettuun pistorasiaan.

この装置は、クラス A 情報技術装置です。この装置を家庭環境で使用すると電波妨害を引き起こすことがあります。この場合には使用者が適切な対策を講ずるよう要求されることがあります。

VCCI-A

유럽



경고: 이 제품은 Class A 제품입니다. 국내 환경에서 이 제품은 무선 혼신을 발생시킬 수 있으며 그럴 경우 사용자는 적합한 조치를 취해야 할 수 있습니다.

이 제품은 EN55022 Class A 및 EN55024 표준을 준수합니다.

안전

리튬 배터리 고지

이 제품에는 숙련된 기술자만 교체할 수 있는 리튬 배터리가 들어 있습니다.



주의: 리튬 배터리는 잘못 교체할 경우 폭발할 수 있습니다. 숙련된 기술자가 제조업체에서 권장하는 같거나 동급의 배터리로 교체해야 합니다. 사용한 배터리는 제조업체의 지침에 따라 폐기하십시오.

레이저 고지

이 제품에 사용된 Dell PowerConnect W-6000M3 컨트롤러 모듈은 일부 포트에서 교체형 레이저 송수신기 모듈을 사용합니다.



주의: 이 설명서에 명시한 것 이외의 컨트롤 사용이나 성능 또는 절차를 조정하면 위험한 방사선 노출이 발생할 수 있습니다.

이 제품은 21 CFR Chapter 1, Subchapter J, Part 1040.10 및 IEC 60825-1: 1993, A1: 1997, A2: 2001, IEC 60825-2: 2000을 준수합니다.

앞서 설명한 레이저 안전 표준을 계속 준수하려면 승인된 공급업체의 승인된 Class 1 모듈만 제품에 설치해야 합니다.

Dell PowerConnect W-6000 控制器 安装指南



版权

版权所有 2011 Aruba Networks, Inc. AirWave®、Aruba Networks®、Aruba Mobility Management System®、及其它注册商标是 Aruba Networks, Inc. 的商标。Dell™、DELL™ 徽标及 PowerConnect™ 是 Dell Inc. 的商标。

版权所有 保留所有权利。本手册规格如有变动，恕不通知。

源于美国。本手册中出现的其它商标都是其各自公司的财产。

开放源代码

某些 Aruba 产品包含由第三方开发的开放源软件代码，包括需要获得 GNU 通用公共许可 (GPL)、GNU 宽通用公共许可 (LGPL) 或其他开放源许可的软件代码。可在以下站点上找到所使用的开放源代码：

http://www.arubanetworks.com/open_source

法律声明

任何个人或公司，只要其使用 Aruba Networks, Inc. 交换平台和软件来端接其它厂商的 VPN 客户端装置，即表明该人或公司对此行为承担全部责任，并会代表这些厂商，在 Aruba Networks, Inc. 万一遭受任何以及所有与版权侵犯有关的法律诉讼时，为其承担全部伤害和损失赔偿。

前言	5
本手册概述	5
相关文档	5
文本惯例	5
联系支持	6
第 1 章 系统概述	7
特性	7
外形描述	7
第 2 章 安装机箱	9
安装前核查清单	9
预防措施	10
要求	10
最低配置	10
机架安装套件	10
选择位置	11
对机箱进行机架安装	12
添加 W-6000M3 控制器模块	13
连接电源	13
第 3 章 验证安装	15
第 4 章 风扇架	17
特性	17
内置冗余	17
热交换	17
外形描述	17
更换风扇架	19
准备新风扇架	19
拆卸旧风扇架	19
插入新风扇架	19
第 5 章 Dell PowerConnect W-6000M3	21
第 6 章 W-6000 电源模块	23
特性	23
评级	23
均分负载	23
冗余	23
热交换	23
外形描述	24
电源管理	25
W-6000M3 模块与 PSU 配置表	25

	插入电源	25
	拆卸电源	27
第 7 章	规格	29
	物理	29
	环境	29
	操作	29
	合规	30
	电磁干扰	30
	美国	30
	加拿大	30
	日本	30
	欧洲	31
	安全	31
	锂电池注意事项	31
	激光注意事项	31

本前言包括以下信息：

- 本手册章节概述
- 供进一步阅读的相关文件的列表
- 在整个手册中使用的各个文本惯例的关键字。
- Dell 支持和服务信息

本手册概述

本手册针对受过培训的负责安装 Dell PowerConnect W-6000 控制器的技术人员。本手册的组织如下：

- Dell PowerConnect W-6000 控制器机箱
第 1、2、3 章描述了 W-6000 控制器，并且提供了安装机箱、连接电源以及执行初始通电测试的说明。
- Dell PowerConnect W-6000M3 控制器模块
第 4、5、6 章着重说明具体模块，并且包括安装或更换单独模块的说明。
- 附录

相关文档

以下各项包含在 Dell 系统的完整文件中：

- *Dell PowerConnect W-6000 控制器安装指南* (本手册)
- *Dell PowerConnect ArubaOS 用户指南*
- *Dell PowerConnect W-AP 安装指南*

文本惯例

在整个手册中使用以下惯例来强调重要概念：

表 1 文本惯例

斜体	该样式用于强调重要项以及标记书籍标题。
系统项	这种固定宽度的字体描述了以下信息： <ul style="list-style-type: none">● 屏幕输出示例● 系统提示● 文件名、软件设备和某些命令（文中提及时）
命令	在命令示例中，这种粗体字体描述了用户必须完全按照所示的内容键入的文字。

表 1 文本惯例

表 1 文本惯例	
<Arguments>	在命令示例中，尖括号中的斜体字代表用户应使用适合他们特定情况的信息加以更换的项目。例如： # send <i><text message></i> 在该示例中，用户将完全按照所示的内容将“send”键入系统中，然后键入他们想要发送的文本信息。不要键入尖括号。
[Optional]	在该命令示例中，括号中的项目为可选的。不要键入括号。
{ Item A Item B }	在该命令示例中，大括号中用竖条分开的项目代表可用选择。仅输入一个选择。不要键入括号或竖条。

联系支持

表 2 Dell 联系信息

网站	
主网站	dell.com
支持网站	support.dell.com
文件网站	support.dell.com/manuals

Dell PowerConnect W-6000 控制器是一种企业级模块化机箱，可连接和控制无线接入点 (AP) 和无线监测器 (AM)，以及将它们智能地整合到有线 LAN 中。

本章将向您介绍 W-6000 控制器。其描述了本模块化系统的一般特性，并且说明了关键的物理元素。熟悉了本系统后，您能够开始下一章中涉及的安装过程。

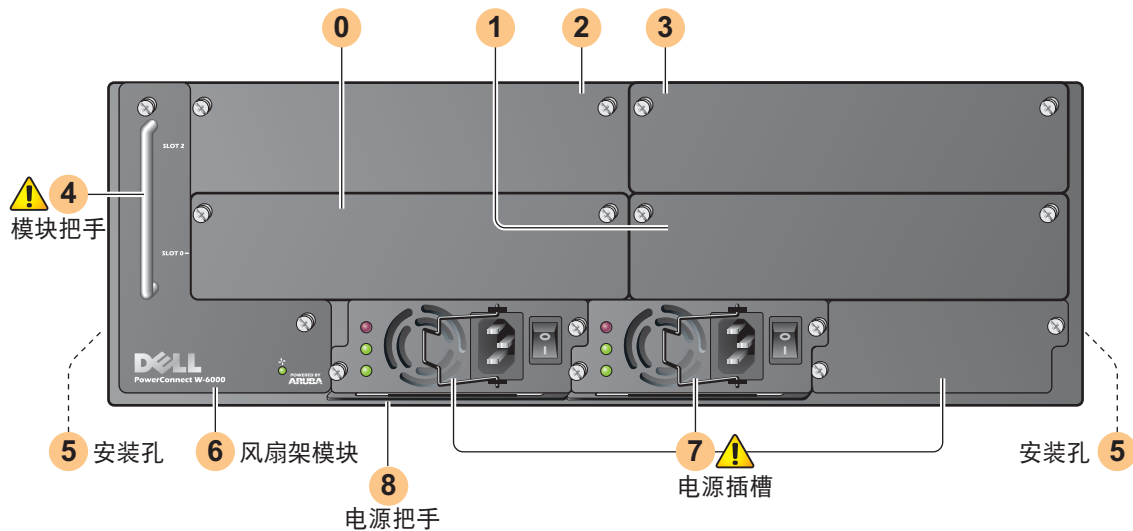
特性

本节概述了 W-6000 控制器的一般特性。

- 具有高速第 2 层/第 3 层数据包转发的 10/100/1000 Mbps 和 10 Gbps 以太网交换机。
- 高性能数据包处理提供了增值的无线服务，例如负载平衡、速率限制、自动恢复、校准、身份验证、移动性、安全性，以及集中式监控与配置。
- 3U 机箱可安装到标准的 19 英寸电信或服务器机架中。
- 基于插槽的模块化机箱可实现网络扩展和容错。
 - 最多 4 个 Dell W-6000M3 模块。
 - 最多 3 个具有均分负载功能的可热交换电源，可实现冗余
 - 包含三个单独风扇的风扇架，可实现冗余

外形描述

图 1 Dell PowerConnect W-6000 控制器



- 0** 插槽 0: 该插槽用于所需的 Dell PowerConnect W-6000M3 控制器模块。
- 1** 插槽 1: 该插槽用于额外 W-6000M3 模块。
- 2** 插槽 2: 该插槽用于额外 W-6000M3 模块。

- 3 插槽 3：该插槽用于额外 W-6000M3 模块。
- 4 模块把手：所有模块把手均仅用于拆卸和插入单独模块。



小心：不要使用模块把手提升或移动 W-6000 控制器机箱。使用这些把手来撑起机箱可能会严重损坏模块和机箱。

- 5 用于连接机架安装托架（侧面）的孔
- 6 风扇架模块：W-6000 控制器机箱由风扇架通过机箱吹入的空气冷却。风扇架在安装的模块间从右到左（如从机箱正面观察到的）吹入空气。

在运行过程中，机箱左侧和右侧的通风口必须保持通畅，不得被电缆或安装设备所阻挡。为实现正确的空气循环，机箱左侧和右侧至少留出 10 厘米（4 英寸）的间隙。

- 7 电源插槽：机箱具有最多可插入三个电源的插槽。您系统所需的电源数取决于安装的 W-6000M3 控制器模块数，以及您是否想包含冗余电源。有关详细信息，请参阅第 25 页上的“电源管理”。

每个电源均具有自己的电源线和电源开关。



小心：不要在电源开关处于打开位置或已插入电源线时插入或拆卸电源。首先验证电源开关是否处于关闭位置，以及电源线是否已拔下。



小心：在接触 Dell W-6000 控制器及其组件时，确保采取了正确的静电放电 (ESD) 防范措施。

- 8 电源把手：使用该把手拆卸或插入电源。



小心: 应由受过培训的技术人员进行安装。

本章涉及了以下安装主题:

- 在安装时要遵守的预防措施
- 有关 W-6000 控制器组件和机架安装传动装置的要求
- 为 W-6000 控制器选择正确的环境
- 将 W-6000 控制器安装到机架中
- 将电源连接到 W-6000 控制器

安装前核查清单

在安装过程中您将需要:

- Dell PowerConnect W-6000 控制器
- Dell PowerConnect W-6000 控制器机架安装硬件 (附带)
- 十字螺丝刀
- 19 英寸设备机架或等同装置
- 3U 机架空间, 机架前、后、左、右留出 10 厘米 (4 英寸) 的间隙
- 另一个人帮助放置 W-6000 控制器。
- 每个电源一根电源线, IEC320 接头的额定电流至少为 10 A
- 足够的电源和电力 (参阅第 25 页上的“电源管理”)
- 0 至 40 °C (32 至 104 °F) 的无冷凝冷空气: 可能需要空调
- 具有 RJ-45 或 DB-9 串行端口的控制台终端
- 具有 RJ-45 外插头的 RS-232 串行电缆
- 如果连接到具有 DB-9 的控制台, 则需要串行适配器 (附带)

预防措施

小心：将电源模块插入电插座时始终存在超过 240VAC 的危险电压。使用本产品前取下所有戒指、首饰和其他可能导电的物品。

不要将外物插入机箱、电源或其他任何组件中，即使已关闭、拔下或拆下电源时也不要这样做。

通过将所有已安装电源的电源线从插座上拔下，将主电源与 W-6000 控制器完全断开。为确保安全，请验证操作员是否能够轻松够到电源插座和插头。

不要接触未绝缘的电缆。这包括任何网线。



为最大程度减少电气危险，使水和其他液体远离本产品。

在本产品安装和运行的所有阶段均遵守电接地标准。不要使 W-6000 控制器机箱、网络端口、电源或安装托架接触连接到不同地线的任何设备、电缆、物体或人。此外，不要将本设备连接到外部防风暴接地源。

必须在无静电的环境中安装或拆卸机箱或任何模块。强烈建议正确使用防静电带和垫子。

当模块没有安装到机箱中时必须将其放在防静电包装中。

发运/存放本产品时不要将其放在强电磁场、静电场、磁场或辐射场附近。

不要拆卸机箱或任何模块。它们没有用户可维修的内部部件。需要维修时，请参见第 6 页上的“联系支持”。

要求

最低配置

Dell PowerConnect W-6000 控制器必须包含以下基本组件：

- 一个 W-6000 控制器机箱
- 一个风扇架
- 一个位于插槽 0 中的 W-6000M3 控制器模块（单独购买）
- 至少两个 400W 电源



注意：所需的电源数目取决于机箱中安装的 W-6000M3 控制器模块的数目（参阅第 25 页上的“电源管理”）。

W-6000 控制器在发运时已安装了所有必要的电源和风扇架模块。按照本章中的描述安装机箱，然后查看本手册中的后续章节，了解有关安装其他每个模块的说明。

机架安装套件

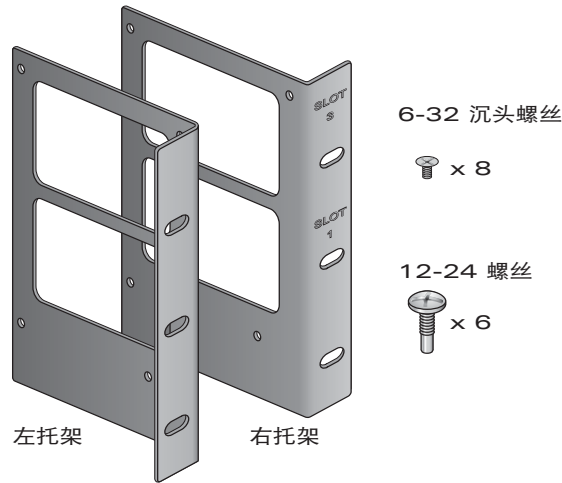
使用附带的机架安装套件可将 W-6000 控制器安装到标准的 19 英寸电信网络设备机架中。该机架安装套件包含以下部件：

- 6-32 x 1/4" 十字槽沉头螺丝（6 个，附带）
- 12-24 x 5/8" 十字槽沉头螺丝（4 个，附带）

此外，还可将 W-6000 控制器安装到 19 英寸的服务器机架中。安装到服务器机架中需要以下附带的物品：

- 6-32 x 1/4" 十字槽沉头螺丝（6 个，附带）
- M6 x 20mm 十字槽沉头螺丝（4 个，附带）
- M6 锁紧螺帽（4 个，附带）或 M6 锁紧夹（4 个，附带）

图 2 机架安装硬件（显示的为电信套件）



注意：6 个 12-24 螺丝用于将机箱固定到机架上。一些机架需要未附带的不同螺丝。尝试安装机箱前验证您是否有适用于您机架系统的正确螺丝或固定装置。

选择位置

像其他网络和计算设备一样，W-6000 控制器也需要“电子友好”的环境。

- 可靠电源

验证您的电插座是否与 W-6000 控制器 (HW-PSU-400) 电源兼容，其总额定功率为 400 W，并且可进行自动范围调整，以接受 85 至 264 VAC（50 至 60 Hz）。

电源线必须为 10 A 的额定电流，并且符合运行本产品所在的国家或地区的接地电气标准。

使用电力线调节器或不间断电源 (UPS) 可减少或减轻因供电波动导致的问题。根据以上提供的信息，验证任何电力定型设备的输出是否与 W-6000 控制器电源兼容。

- 无冷凝的冷空气通风

为实现正确运行，W-6000 控制器需要周围气温介于 0 至 40 °C（32 至 104 °F）的环境。湿度必须保持在 5 至 95% 之间的无冷凝水平。

在大量电气设备在同一区域中运行的情况下，可能需要使用额外的空调或空气循环设备。

- 充足的空间

为实现正确的空气循环，至少为机箱前、后、左、右的通风口留出 10 厘米（4 英寸）的间隙。

在机箱前面留出更多空间，以便能够接触到电源线、网线和指示灯 LED。

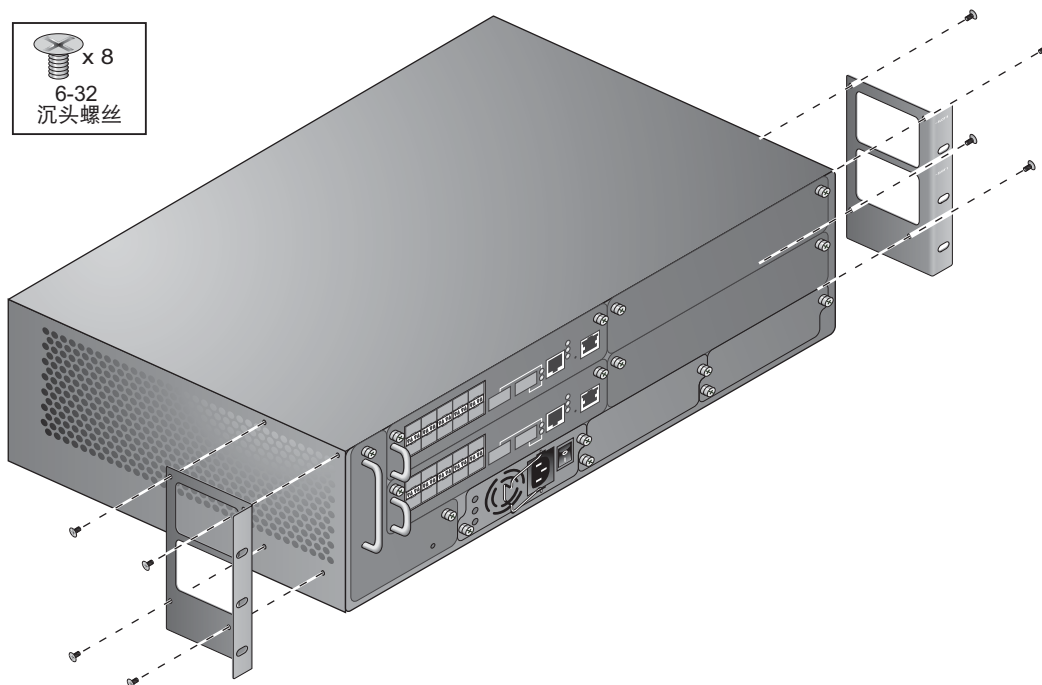
- 受限的电磁干扰

为实现最佳运行，使 W-6000 控制器和所有线缆和电缆距离荧光灯具至少 0.7 米（2 英尺），以及距离复印机、无线电发射器、发电机及其他强电磁干扰源至少 2 米（6 英尺）。

对机箱进行机架安装

1. 验证机架环境是否符合要求（参阅第 11 页上的“选择位置”）。
2. 将机架安装托架连接到机箱，如第 12 页上的图 3 中所示。

图 3 连接机架安装托架



标有插槽编号 1 和 3 的托架针对 W-6000 控制器机箱的右侧。对两个托架进行定向，以便使较窄的法兰朝前。正确放置时，托架的大矩形孔隙将放置在侧面通风口上，以便在运行过程中允许适当的气流通过。使用十字螺丝刀和 4 个 6-32 沉头螺丝（附带）牢牢固定每个托架。

3. 将 W-6000 控制器连接到机架上。



小心：为避免人员伤害或设备损坏，提升和放置 W-6000 控制器时找人帮忙。此外，不要采用任何可能出现不稳定或不均匀机械装载的方式安装 W-6000 控制器。



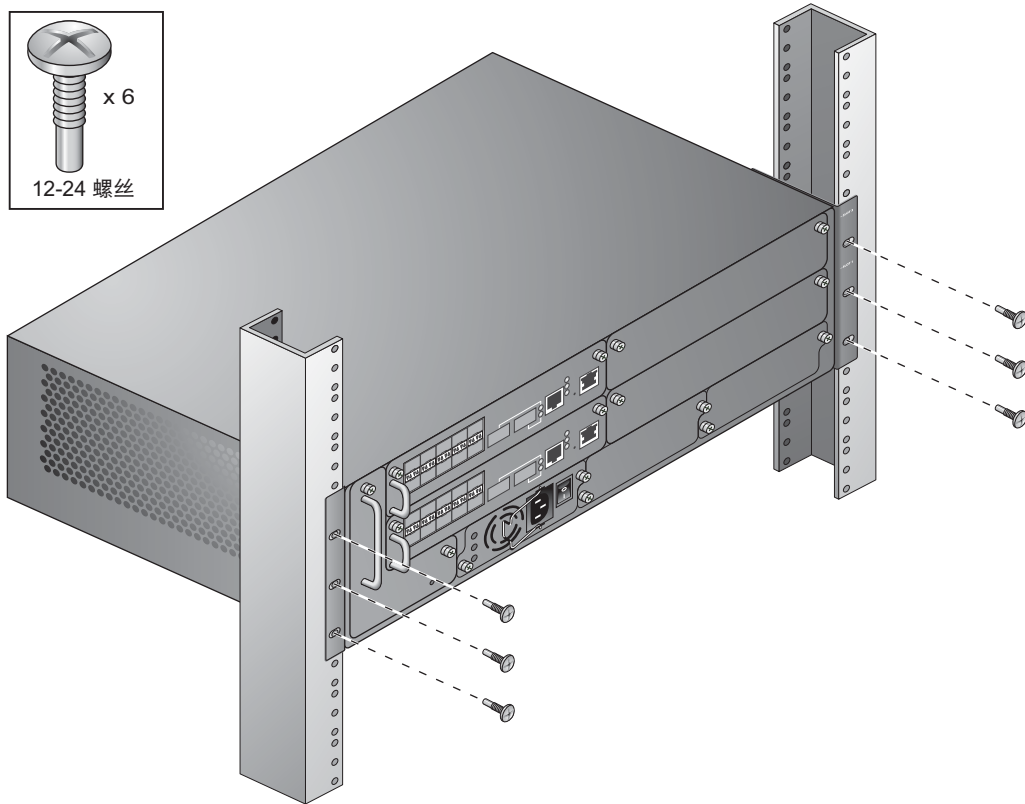
注意：为实现正确运行，W-6000 控制器需要介于 0 至 40 °C（32 至 104 °F）的环境气温。验证机架环境是否合规

如果您正在将本设备安装到服务器机架中，则首先安装锁紧螺帽/夹。通过完成以下步骤安装锁紧螺帽/夹：

- a. 先插入锁紧螺帽的下缘，但要位于轨道后部方形开口上方。
- b. 将锁紧螺帽安装工具的小端穿过轨道中的开口（从前部），将工具钩在锁紧螺帽的上缘上。
- c. 将锁紧螺帽朝着轨道推入，同时向上转动工具，并朝着您的方向回拉工具，直至锁紧螺帽的上缘“咔嗒”一声卡入到位。
- d. 继续按照正常方式安装 W-6000 控制器。

将机箱放置到设备机架中，将托架的安装孔与机架框上的相应孔对齐。

图 4 安装 W-6000 控制器



使用十字螺丝刀和适用于每个安装托架的 3 个 12-24 螺丝（用于电信机架）或 3 个 M6 x 20mm（服务器机架）将机箱固定到机架上。



注意：一些机柜需要未附带的不同螺丝。验证您是否使用了适用于您机架系统的正确螺丝或固定装置。

添加 W-6000M3 控制器模块

如果您收到了与机箱分离的模块，或者想要利用更多模块来扩展该系统，请参见本手册的后续章节，了解有关安装每个模块的具体说明。



注意：添加模块将增加总电力负荷。根据安装的模块，您可能需要向机箱中添加电源和/或增加您场点的电力系统的容量。有关详细信息，请参见第 25 页上的“电源管理”。

连接电源



小心：应由受过培训的技术人员执行此过程。

1. 确保您了解此过程和所有防范措施。

开始前，请阅读整个操作程序。确保您了解这些步骤中的所有防范措施，以及第 10 页上的防范措施。

2. 验证安装的电源是否能够处理此电力负荷。

W-6000 控制器所需的电源数取决于安装的 W-6000M3 控制器模块数。有关详细信息，请参见第 25 页上的“电源管理”。

3. 验证您场点的电力系统能否处理 W-6000 控制器的电力负荷。

- 每个 W-6000 控制器电源 (HW-PSU-400) 的总额定功率为 400 W，并且可进行自动范围调整，以接受 85 至 264 VAC（50 至 60 Hz）。

根据总电力负荷，您可能需要增加您场点的电力系统的容量。有关详细信息，请参见第 25 页上的“电源管理”。



注意：使用电力线调节器或不间断电源 (UPS) 可减少或减轻因供电波动导致的问题。根据以上提供的信息，验证任何电力定型设备的输出是否与 W-6000 控制器电源兼容。

4. 验证电源上的电源开关是否位于关闭 (O) 位置。



小心：不要在电源开关位于打开 (I) 位置时将电源线连接到电源。首先验证电源开关是否为关闭 (O)。

5. 将电源线连接到电源。

将相应的电源线插入电源输入插座中。该插座接受带有标准 IEC320 插头的电源线。



小心：为实现正确的安全性和性能，电源线必须为 10 A 的额定电流，并且符合运行本产品所在国家的接地电气标准。



注意：400 W 电源 (HW-PSU-400) 带有电源线固定夹。连接电源线时，可使用该固定夹将电源线固定就位，以及帮助防止电源线被意外拉出（参阅第 26 页上的图 8）。

6. 将电源线连接到正确的电插座中。



小心：出于安全原因，验证操作员是否可轻松够到电插座和插头，并且在必要时可快速断开它们。

对于安装的每个电源，重复以上步骤 4、5、6。

连接电源后，您可以执行通电测试（参阅第 15 页）。

具体安装了 W-6000 控制器后，运行以下通电测试：

1. 依次快速打开所有安装的电源。
对于每个电源，将电源开关放置在打开 (I) 位置。



注意： 为避免将打开的第一个电源过载，应几乎同时打开所有所需的电源（约三秒内）。

2. 检查电源指示灯是否正确。

通电后，您应立即观察以下方面：

- 所有电源交流电是否均正常，直流电是否正常，以及 LED 是否显示为绿灯常亮。
- 风扇架风扇状态 LED 是否为绿灯常亮，您应能够感到从三个风扇位置的每一个上的机箱通风口吹出大量气流。

3. 检查相应的运行指示灯。

系统成功启动后，您应观察以下方面：

- 电源交流电是否正常，直流电是否正常，以及 LED 是否仍为绿灯常亮。
- 风扇架风扇状态 LED 是否仍为绿灯常亮。



注意： 有关 LED 行为的更多信息，请参阅有关具体模块的章节。

4. 系统已通过初始通电测试后：

- 连接相应的网线。

5. 您现在已准备好执行 *Aruba 快速入门指南*（包含在您控制器上加载的软件的附件包中）中所述的初始设置。

Dell PowerConnect W-6000 控制器风扇架 (HW-FT) 提供了空气循环，可冷却 W-6000M3 模块（位于 Dell PowerConnect W-6000 控制器机箱中），这是实现正常运行所不可或缺的。W-6000 控制器机箱的正常工作温度介于 0 至 40 °C（32 至 104 °F）之间。如果超出此温度范围，W-6000 将通过可提示用户出现此变化的软件发出警告。下表描述了这些告警和它们的阈值：

表 3 温度阈值

告警严重度	阈值
较小	40 °C
较大	50 °C
关键	60 °C

本章描述了该风扇架的一般特性和物理特性，并且提供了必要时更换此模块的说明。

特性

内置冗余

这些风扇包含在该风扇架中。此模块可提供冷却，即使一个风扇出现故障也是如此。在能够更换风扇架前，只要有两个风扇正常运行便将提供足以实现适当冷却的气流。

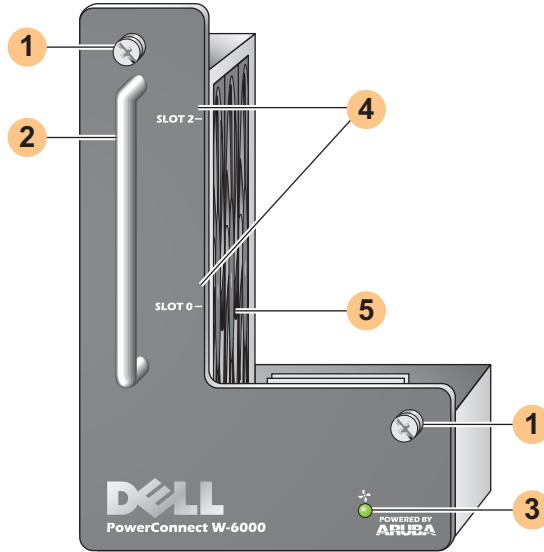
热交换

应由受过培训的技术人员进行热交换。热交换始终可使您在无需关闭系统的情况下更换该风扇架。在更换操作过程中，机箱将在无风扇的情况下继续运行，但必须在 1 分钟内完成此过程才能继续提供适当的冷却。

外形描述

风扇架插槽位于 W-6000 控制器机箱左侧，其从机箱前面延伸至背面。

图 5 Dell W-6000 控制器系列风扇架



- 1 模块固定螺丝：这些外加螺丝用于将该模块固定到机箱风扇架插槽中。
- 2 模块把手：该把手用于拆卸该模块或将其插入机箱中。



小心：不要使用风扇架把手提升或移动 W-6000 控制器。可能会导致严重破坏。

- 3 风扇状态 LED：在运行过程中，风扇状态 LED 提供以下信息：

表 4 风扇架 LED 行为

状态	说明
不亮	风扇架不运行。
绿灯	风扇架正在通电，所有三个风扇均正常运行。
琥珀灯	一个风扇出现故障，但其余两个风扇能够在便捷地更换风扇架前提供适当冷却。
红灯	两个或更多风扇已出现故障。立即更换风扇架。



注意：除 LED 外，还可使用 CLI 查看风扇架状态和整个机箱的温度。

- 4 插槽标签：将风扇架安装到 W-6000 控制器中时，这些标签会命名风扇架正右方的模块插槽（参阅第 7 页上的图 1）。
- 5 风扇（侧面）：三个独立风扇为冷却 W-6000 控制器卡提供冗余。

更换风扇架



小心：许多维修应仅由已认证的服务技术人员进行。您应仅执行故障排除和简单维修，如在您的产品文件中所授权的，或者如网上或电话服务与支持团队所指导的。您的保修不涉及因进行 Dell 未授权的维修而导致的损坏。请阅读并遵守本产品附带的安全说明。

如果您对风扇架进行热交换，请了解此过程的一部分具有时间限制。为确保做好正确准备，请仔细阅读此过程中的所有步骤，然后再尝试进行更换。

此外，确保您了解这些步骤中的所有防范措施，以及第 10 页上的防范措施。

准备新风扇架

1. 打开新风扇架的包装。
2. 检查新风扇架，验证其是否未受损。
3. 将新风扇架放在机箱附近便于获取的安全位置，以便可立即插入。
4. 找出 2 号十字螺丝刀。

拆卸旧风扇架

1. 松开风扇架的固定螺丝。

在 W-6000 控制器的前面，使用螺丝刀松开已安装风扇架的面板上的两个固定螺丝。逆时针转动松开这两个螺丝，但要控制转数，不能将其完全卸下来。

2. 分离风扇架。

抓紧模块把手，将风扇架从其插槽向前拽动。当模块完全脱离与机箱底板的连接时可能有适度的阻力，但不要使用太大的力量。

当模块完全脱离底板后将失去对工作风扇的供电，它们将逐渐停止转动。

小心：即使没有电风扇也会继续转动片刻。等待风扇停止转动，然后再拆卸风扇架。



此外，进行热交换时，当风扇停止转动后，W-6000 控制器将继续运行，但运行组件中的热量开始增加。从此时起，必须在有限的时间（一分钟）内安装完新风扇架。

必须遵守此一分钟限制，因为 W-6000 控制器没有热关断功能。如果您不能在一分钟内更换风扇架，则关闭控制器。

3. 分离后，应可轻松将风扇架拖出机箱。完全拆下风扇架，将其安全地放置一旁。

插入新风扇架

1. 握住风扇架前面板上的把手，将其提起来。
2. 将风扇架仔细插入机箱风扇架插槽中。

将风扇架的后部与机箱风扇架插槽中的导轨对齐，然后朝着底板的方向轻轻推动它。模块应几乎可始终轻松推入。

3. 接合风扇架。

当风扇架到达机箱背面时，可能会感到有适度的阻力。用力按，以便使模块背面的接头与底板接合，但不要用力过大。

当对风扇架进行热交换并正确接合了这些接头时，对风扇的供电应恢复，它们应开始转动。

4. 检查风扇，验证它们是否都在正常工作。

恢复了对风扇架的供电后，通过在热交换过程中使该模块与底板接合，或者在冷交换后打开系统电源，风扇状态 LED 应为绿色，并且您应能够感到从每个风扇位置处的机箱通风口中吹出大量气流。

如果这些风扇均正常工作，则该热交换过程中具有严格时间要求的部分便结束。

如果刚进行热交换的风扇架中有一个风扇不工作，（风扇状态 LED 为黄色），则使其余风扇至少转动三分钟，以便冷却机箱，然后再尝试进行另一次热交换。



小心：如果刚进行热交换的风扇架中有两个或更多风扇不工作，（风扇状态 LED 为红色），则关闭 W-6000 控制器，更换该风扇架，使 W-6000 控制器至少冷却五分钟，然后再打开它。

5. 固定风扇架。

使用螺丝刀推入并拧紧刚安装的风扇架面板上的两个固定螺丝。顺时针转动这两个螺丝，直至感到有适度的阻力为止，但不要拧的过紧。

Dell PowerConnect W-6000M3 是一种可热交换的控制器模块，可用于 W-6000 控制器机箱系统。W-6000 控制器机箱最多能够容纳四个模块，其中每个模块均可配置为主模块或本地模块。有关 W-6000M3 的完整详细信息，包括安装说明和兼容性及配置选项，请参阅 *Dell PowerConnect W-6000M3 安装指南*。有关电源管理的详细信息，请参阅第 25 页上的“电源管理”。

每个 W-6000M3 控制器模块均能够通过使用 Dell 接入点升级许可最多支持 512 个园区连接的接入点。如欲获得可用软件许可的完整列表，请联系您的 Dell 销售代表。

有关 Dell PowerConnect W-6000M3 控制器模块的安装和运行信息，请参见每个模块附带的 *Dell PowerConnect W-6000M3 控制器模块安装指南*。

Dell PowerConnect W-6000 控制器电源可调节电力，以便在 W-6000 控制器中使用。W-6000 机箱带有可容纳单独电源的三个插槽，以支持均分负载和容错。

本章描述了该电源的一般特性和物理特性，以及重要的功耗管理信息。本章的最后几节涉及了插入和拆卸电源所需的步骤。

特性

评级

Dell W-6000 电源 (HW-PSU-400) 的总额定功率为 400 W，并且可进行自动范围调整，以接受 85 至 264 VAC (50 至 60 Hz)。在 W-6000 控制器中最多可安装三个 400 W 电源。

均分负载

当 W-6000 控制器中安装多个具有相同额定值的电源时，便会出现均分负载。均分负载可将 W-6000 的总电力负荷分到电源模块中插入的所有组件间。由于这些电源一同工作，每加入一个电源便会增加机箱的有效电能。

冗余

安装多个电源时，如果一个变得不可用（出现故障，以关闭或者已拆卸），则其余电源将尝试为 W-6000 控制器提供全部电力。如果总电力负荷没有超过其余电源的总额定输出，则 W-6000 将继续运行。有关电源配置的更多信息，请参见第 25 页上的“电源管理”。

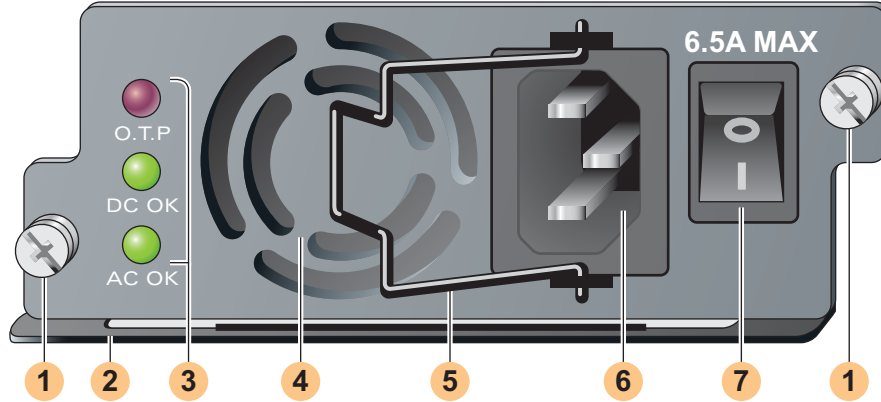
热交换

应由受过培训的技术人员进行热交换。热交换可使您在其他电源提供全部电力时更换一个故障电源。这样在更换过程中无需关闭 W-6000 控制器。

热交换要求在拆卸目标电源后，机箱的总电力负荷没有超过其余电源的总额定输出。

外形描述

图 6 400W 电源



- 1 模块固定螺丝：这两个外加固定螺丝可将电源在机箱中固定就位。
- 2 模块把手：该把手用于拆卸该模块或将其插入 W-6000 机箱中。



小心：不要使用电源把手提升或移动 W-6000 控制器。可能会导致严重破坏。

- 3 指示灯 LED

表 5 400W 电源 LED

LED 名称	位置	状态	说明
O.T.P. (过温保护)	顶部	不亮	电源温度正常。
		红灯	电源风扇出现故障或温度过高。
直流电正常	中间	绿灯	直流电输出正常。
		红灯	直流电输出不在公差内。
交流电正常	底部	绿灯	交流电输入正常。
		红灯	交流电输入不在公差内。



注意：除 LED 外，还可使用 CLI 查看电源状态。

- 4 进气口：该进气口有助于内部风扇在设备运行过程中冷却电源。为防止阻塞，使所有物品距离该通风口至少 10 厘米（4 英寸）。
- 5 电源线固定夹：将插头插入电源输入插座后，该固定夹安装在电源线上。这有助于防止电源线被意外拉出。



小心：不要使用电源线固定夹取出电源模块，或者提升或移动 W-6000。

- 6 电源输入插座：该电源插座接受带有标准 IEC320 接头的电源线。为实现正确的安全性和性能，电源线必须为 10 A 的额定电流，并且符合使用本产品所在的国家或地区的接地电气标准。
- 7 电源开关：电源开关具有两种状态：关闭 (●) 和打开 (|)。

电源管理

W-6000 控制器最多支持三个 400 W 电源。如果使用一至两个主电源来提供 400 至 800 W 的主要电力，可使用一个 400 W 的冗余电源。

为实现最大容量规划，增加您机箱配置中所有模块所需的功率，以确定所需的电源数。

W-6000M3 模块与 PSU 配置表

下表显示了 W-6000M3 模块配置以及冗余电源配置和用电情况。

表 6 电源和模块配置

模块	设备数			
W-6000M3 控制器模块 (每个最大功率为 130 W)	1	2	3	4
使用的总功率 (W)	130	260	390	520
所需的 PSU 数	1	1	1	2
冗余的 PSU 数	1 或 2 个	1 或 2 个	1 或 2 个	1

插入电源



小心：许多维修应仅由已认证的服务技术人员进行。您应仅执行故障排除和简单维修，如在您的产品文件中所授权的，或者如网上或电话服务与支持团队所指导的。您的保修不涉及因进行 Dell 未授权的维修而导致的损坏。请阅读并遵守本产品附带的安全说明。

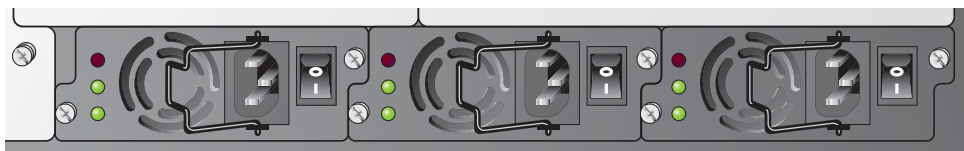
1. 确保您了解此过程和所有防范措施。

开始前，请阅读整个操作程序。确保您了解这些步骤中的所有防范措施，以及第 10 页上的防范措施。

2. 为电源选择电源插槽。

- 可将 400 W 电源 (HW-PSU-400) 安装到任何电源插槽中，任何电源插槽均可保持为空。即，用于电源的插槽没有特定的规定顺序。

图 7 安装的 400 W 电源



如果更换先前安装的电源，则首先查看第 27 页上的“拆卸电源”。

如果正在将电源安装到空插槽中，则可能必须首先拆下空白盖板。要执行此操作，使用 2 号十字螺丝刀。逆时针转动面板上的外加固定螺丝，直至它们松动为止（不能将它们完全拧下）。拆下盖板，将其放在安全的地方。

3. 验证将安装的电源上的电源开关是否处于关闭 (O) 位置。



小心：不要在电源开关处于打开位置 (I) 或在电源线已插入电源模块时插入或拆卸电源。首先验证电源开关是否处于关闭 (O) 位置，以及是否从 W-6000 PSU 模块中拔下了电源线。

4. 将电源插入机箱中。

握住沿电源底部连接的电源把手，使 LED 位于左侧，电源开关位于右侧。不要使用电源线固定夹插入或取出电源。将模块的背面与机箱电源插槽中的导轨对齐，然后朝着底板的方向轻轻推动该模块。不要用力推该模块；其应几乎可始终轻松推入。当电源碰到机箱后面的接头时可能会有适度的阻力。用力按，以便接合这些接头，但不要用力过大。

5. 固定电源。

使用螺丝刀推入模块的外加固定螺丝，然后顺时针转动它们，直至感到有适度的阻力为止。不要拧得过紧。

6. 将电源线连接到电源。



注意：连接电源线前将电源线固定夹转到左侧。

将相应的电源线插入电源输入插座中。该插座接受带有标准 IEC320 插头的电源线。

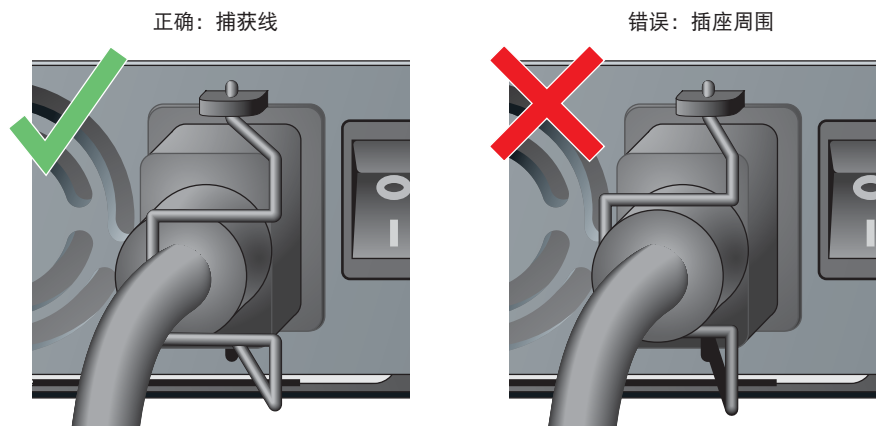


小心：为实现正确的安全性和性能，电源线必须为 10 A 的额定电流，并且符合运行本产品所在的国家或地区的接地电气标准。

7. 固定电源线。

连接电源线时，将电源线固定夹转到左侧，如第 26 页上的图 8 中所示。这会将插头固定就位，以及防止插头被意外拔下。

图 8 使用电源线固定夹



8. 将电源线连接到正确的电插座中。

验证您场点的电力系统能否处理 W-6000 的电力负荷。

- 每个电源 (HW-PSU-400) 的总额定功率为 400 W，并且可进行自动范围调整，以接受 85 至 264 VAC (50 至 60 Hz)。

根据 W-6000 的总电力负荷，您可能需要增加您场点的电力系统的容量。有关详细信息，请参见第 25 页上的“电源管理”。



小心：出于安全原因，验证操作员是否可轻松够到电插座和插头，并且在必要时可快速断开它们。



注意：使用电力线调节器或不间断电源 (UPS) 可减少或减轻因供电波动导致的问题。验证任何电力定型设备的输出是否与 W-6000 控制器电源兼容。

拆卸电源



小心：许多维修应仅由已认证的服务技术人员进行。您应仅执行故障排除和简单维修，如在您的产品文件中所授权的，或者如网上或电话服务与支持团队所指导的。您的保修不涉及因进行 Dell 未授权的维修而导致的损坏。请阅读并遵守本产品附带的安全说明。

1. 确保您了解此过程和所有防范措施。

开始前，请阅读整个操作程序。确保您了解这些步骤中的所有防范措施，以及第 10 页上的防范措施。

2. 验证要拆卸的电源上的电源开关是否位于关闭 (●) 位置。



小心：不要在电源开关位于打开 (I) 位置时插入或拆卸电源。首先验证电源开关是否为关闭 (●)。

3. 拔下要拆卸的电源。

如果使用电源线固定夹，则首先将其转到左侧，释放插头。然后拔下插头。

4. 卸下电源。

使用 2 号十字螺丝刀逆时针转动电源的外加固定螺丝，直至它们松动为止（不能将它们完全拧下）。抓紧电源把手，仔细将该模块拉出机箱。

5. 盖上空插槽。

出于安全考虑，以及促进适当的冷却气流通过和防止灰尘进入机箱，使用空白盖板盖上任何未占用的插槽。

物理

表 7 物理规格

项目	测量
尺寸	高度 14.9 厘米 (5.85 英寸) 宽度 44.2 厘米 (17.4 英寸) 深度 31.8 厘米 (12.5 英寸)
重量	26.5 公斤 (58 磅) 最大 6.3 公斤 (13.9 磅) 机箱和风扇架 4.4 公斤 (9.6 磅) 每个电源

环境

表 8 环境规格

项目	测量
温度	工作温度：0 至 40 °C (32 至 104 °F) 存储温度：0 至 50 °C (32 至 122 °F) 次要告警：40 °C 重要告警：50 °C 关键告警：60 °C
湿度	5% 至 95% (无冷凝)
海拔高度	3,048 米 (10,000 英尺)，最大

操作

表 9 操作规格

项目	测量
电源	型号 HW-PSU-400— 输入：85-264 VAC, 50-60 Hz 输出：48 V, 8 A
功耗	460W (每电源)，最大
网络管理	HTML Web 浏览器界面
标准	IEEE 802.1x、IEEE 802.3 10BASE-T、IEEE 802.3u 100BASE-TX、IEEE 802.3ab 1000BASE-T、 IEEE 802.3z 1000BASE-SX

合规

电磁干扰

美国

FCC A 级

本设备经测试证明符合 FCC 规章第 15 部分有关 A 级数字装置的限制规定。这些限制旨在提供合理的保护，防止设备在商业环境中运行时受到有害的干扰。本设备可产生、使用并会发射无线射频能量，如果不按照说明手册进行安装和使用，有可能对无线电通讯产生有害的干扰。在居住区使用本设备时可能会造成有害干扰，在此情况下，用户应自行负责消除干扰。

如果用户在未经合规责任方明确许可的情况下进行任何改造或改动，可能会丧失操作本设备的权利。

本产品符合 FCC 规章第 15 部分的规定。其操作须符合以下两项条件：(1) 本装置不得产生有害干扰；(2) 本装置必须接受所接收到的任何干扰，包括可能会引发非预期操作的干扰。

加拿大

数字设备符合有关来自数字设备的无线电噪声发射的 A 级限制，如加拿大工业部 ICES-003 题为“数字设备”的干扰产生设备标准中所规定的。

Cet appareil numérique respecte les limites de bruits radioélectriques applicables aux appareils numériques de Classe A prescrites dans la norme sur le matériel brouilleur: “Appareils Numériques,” NMB-003 édictée par le ministère des Communications.

日本

VCCI - A 级

この装置は、情報処理装置等電波障害自主規制協議会（VCCI）の基準に基づくクラスA情報技術装置です。この装置を家庭環境で使用すると電波妨害を引き起こすことがあります。この場合には使用者が適切な対策を講ずるよう要求されることがあります。

This device complies with Part 15 of the FCC Rules. Operation is subject to the following two conditions: (1) this device may not cause harmful interference, and (2) this device must accept any interference received, including interference that may cause undesired operation.

This Class A digital apparatus complies with Canadian ICES-003.
Cet appareil numérique de la classe A est conforme à la norme NMB-003 du Canada.

Apparatet må tilkoples jordet stikkontakt.

Laite on liitettävä suojamaadoituskoskettimilla varustettuun pistorasiaan.

この装置は、クラス A 情報技術装置です。この装置を家庭環境で使用すると電波妨害を引き起こすことがあります。この場合には使用者が適切な対策を講ずるよう要求されることがあります。

VCCI-A

欧洲



警告: 这是 A 级产品。在家庭环境中, 该产品可能导致无线电干扰, 在此情况下, 用户可能需要采取适当措施。

本产品符合 EN55022 A 级和 EN55024 标准。

安全

锂电池注意事项

本产品配有锂电池, 该电池只能由受过培训的技术人员进行更换。



小心: 如果更换不当, 锂电池可能会爆炸。受过培训的技术人员应使用相同或制造商建议的等同类型的电池进行更换。请按照制造商的说明处理旧电池。

激光注意事项

本产品中使用的 Dell PowerConnect W-6000M3 控制器模块在某些端口上使用可更换的激光收发器模块。



小心: 使用非本手册中指定的性能或操作步骤的控制或调整可能会导致严重辐射暴露。

本产品符合 21 CFR 第 1 章第 J 节第 1040.10 部分以及 IEC 60825-1: 1993、A1: 1997、A2: 2001、IEC 60825-2: 2000。

要继续遵守以上激光安全标准, 应在本产品中安装由我们认可的供应商生产的、经过认证的 1 类模块。

Dell PowerConnect W-6000 控制器 安裝指南



版權

© 2011 Aruba Networks, Inc. AirWave®、Aruba Networks®、Aruba Mobility Management System® 及其他註冊商標是 Aruba Networks, Inc. 的商標。Dell™、DELL™ 商標及 PowerConnect™ 是 Dell Inc. 的商標。

保留所有權利。本手冊中的規格如有改變，恕不通知。

於美國編寫。本手冊中出現的其他商標都是其各自公司的財產。

開放原始碼

某些 Aruba 產品包含由協力供應商開發的開放源軟體代碼，其中包括須遵照 GNU 通用公共許可證 (General Public License, GPL)、GNU 寬通用公共許可證 (Lesser General Public License, LGPL) 或其他開放源許可證規定使用的軟體代碼。可在以下網站上找到所使用的開放原始碼：

http://www.arubanetworks.com/open_source

法律聲明

任何個人或公司，只要其使用 Aruba Networks, Inc. 交換平台和軟體來端接其他供應商的 VPN 用戶端裝置，即表明該人或公司對此行為承擔全部責任，並會代表這些供應商，在 Aruba Networks, Inc. 萬一遭受任何以及所有與版權侵犯有關的法律訴訟時，為其承擔全部傷害和損失賠償。

前言	5
本手冊概觀	5
相關文件	5
文字約定	5
聯絡支援部門	6
第 1 章 系統概觀	7
功能	7
實體說明	7
第 2 章 安裝機箱	9
安裝前檢查清單	9
預防措施	10
需求	10
最低系統配置	10
機架安裝套件	10
選擇位置	11
安裝機架式機箱	12
新增 W-6000M3 控制器模組	13
連接電源	14
第 3 章 確認安裝	15
第 4 章 風扇組	17
功能	17
內建備援	17
熱抽換	17
實體說明	17
更換風扇組	19
準備新風扇組	19
移除舊風扇組	19
插入新風扇組	19
第 5 章 Dell PowerConnect W-6000M3	21
第 6 章 W-6000 電源供應模組	23
功能	23
額定功率	23
負載分享	23
備援	23
熱抽換	23
實體說明	24
電源管理	25
W-6000M3 模組與 PSU 配置表	25
插入電源模組	25

第 7 章

移除電源模組	27
規格	29
實體	29
環境	29
操作	29
規範	30
電磁干擾	30
美國	30
加拿大	30
日本	30
歐洲	31
安全性	31
鋰電池公告	31
雷射公告	31

前言涵蓋下列資訊：

- 本手冊各章概述
- 供進一步閱讀的相關文件清單
- 本手冊使用的文字約定說明
- Dell 支援和服務資訊

本手冊概觀

本手冊是專為負責安裝 Dell PowerConnect W-6000 控制器的專業技師而編寫的。本手冊分為下列各章：

- Dell PowerConnect W-6000 控制器機箱
第 1、第 2 和第 3 章描述 W-6000 控制器，提供安裝機箱、接上電源以及執行最初開機測試的說明。
- Dell PowerConnect W-6000M3 控制器模組
第 4、第 5 和第 6 章集中描述特定模組，包括安裝和更換個別項目的說明。
- 附錄

相關文件

以下是 Dell 系統整套文件的一部分：

- *Dell PowerConnect W-6000 控制器安裝指南* (本手冊)
- *Dell PowerConnect ArubaOS 使用者指南*
- *Dell PowerConnect W-AP 安裝指南*

文字約定

下列約定適用於本手冊，用以強調重要概念：

表 1 文字約定

斜體	此樣式用於強調重要用語和標示書名。
系統項目	固定間距字型用於下列各項： <ul style="list-style-type: none">● 範例螢幕輸出● 系統提示● 檔案名稱、軟體裝置以及在文字中所提及的某些指令
指令	在指令範例中，粗體字型指示使用者必須完全按照所顯示鍵入的文字。

表 1 文字約定

<引數>	<p>在指令範例中，尖角括號內的斜體文字表示，使用者應以配合其具體情況的資訊取代的項目。例如：</p> <p># send <text message></p> <p>在這個例子中，使用者會在系統提示時完全按照所示鍵入「send」，然後輸入要發送的文字訊息。切勿鍵入尖角括號。</p>
[選用]	<p>在指令例子中，括號內的項目是可選用的。切勿鍵入尖角括號。</p>
{ 項目 A 項目 B }	<p>在指令例子中，大括弧中由垂直線分隔的項目表示可用的選擇。只選擇一項。切勿鍵入大括弧或垂直線。</p>

聯絡支援部門

表 2 Dell 聯絡資訊

網站	
主網站	dell.com
支援網站	support.dell.com
文件網站	support.dell.com/manuals

Dell PowerConnect W-6000 控制器是企業級模組化機箱，連接和控制無線接入點 (AP) 和無線監測器 (AM)，並將它們智慧地整合入有線 LAN。

本章介紹 W-6000 控制器，既描述這個模組化系統的一般功能，也用圖解說明各主要實體元素。在熟悉系統後，就能夠開始下一章所涵蓋的安裝程序。

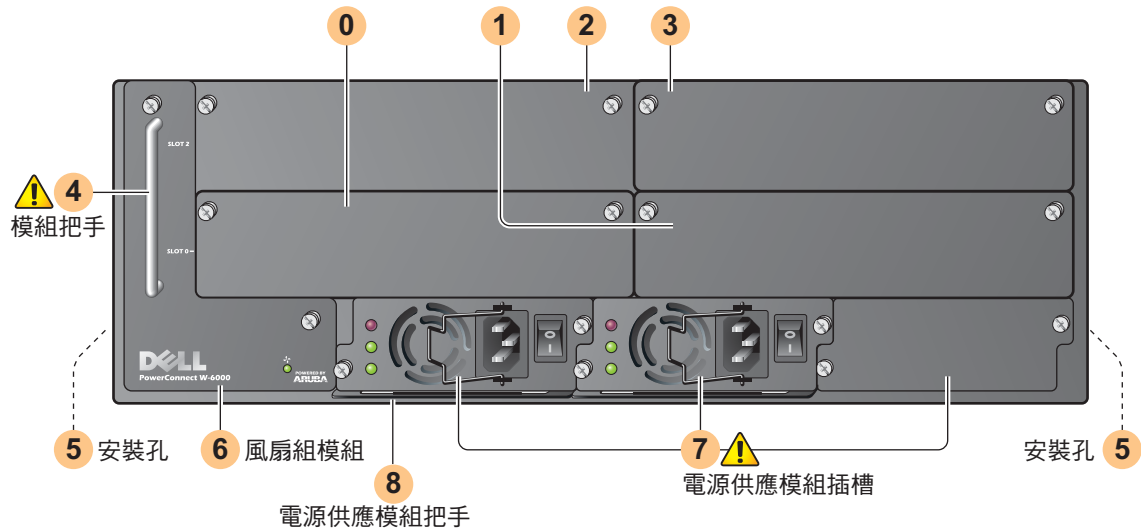
功能

本節概述 W-6000 控制器的一般功能。

- 10/100/1000 Mbps 和 10 Gbps 乙太網路交換機，帶高速第 2 層/第 3 層封包轉寄。
- 高效能封包處理功能提供增值的無線服務，例如負載平衡、速率限制、自我修理、校正、驗證、行動、安全性以及集中監測和配置。
- 3U 機箱可安裝在標準的 19 英寸電訊或伺服器機架上。
- 以插槽為基礎的模組化機箱允許網路擴充和容錯。
 - 最多 4 個 Dell PowerConnect W-6000M3 模組
 - 最多 3 個熱抽換電源供應模組，帶有負載分享能力作備援
 - 風扇組包含三個獨立風扇作備援

實體說明

圖 1 Dell PowerConnect W-6000 控制器



- 0 插槽 0：此插槽供必要的 Dell PowerConnect W-6000M3 控制器模組使用。
- 1 插槽 1：此插槽供其他 W-6000M3 模組使用。
- 2 插槽 2：此插槽供其他 W-6000M3 模組使用。

- 3 插槽 3：此插槽供其他 W-6000M3 模組使用。
- 4 模組把手：所有模組把手僅用於移除和插入個別模組。



小心：絕不能使用模組把手提起或移動 W-6000 控制器機箱。使用把手支持機箱，可對模組和機箱造成嚴重的損壞。

- 5 用於裝上機架安裝托架的安裝孔 (旁邊)
- 6 風扇組模組：W-6000 控制器由風扇組經由機箱抽入的氣流所冷卻。風扇組將空氣從右方 (就在機箱前面看而言) 橫過安裝的模組抽至左方。

操作時，機箱左右邊的通氣口必須保持不被纜線或安裝設備阻礙。為確保空氣流通，在機箱的左方和右方至少留下 10 釐米 (4 英寸) 空隙。

- 7 電源供應模組槽：機箱具有可裝上最多三個電源供應模組的插槽。系統所需的電源供應模組數目視所安裝的 W-6000M3 控制器模組數目而定，也取決於是否要加入備援電源供應模組。詳情請參閱第 25 頁上的「[電源管理](#)」。

每個電源供應模組配備本身的電源線和電源開關。



小心：當電源開關處於「開」位置，或當插入電源線時，絕不能插入或移除電源供應模組。首先確定電源開關處於「關」位置，而且已拔除電源線。



小心：務必在處理 Dell W-6000 控制器及其元件時採取適當的靜電釋放 (ESD) 預防措施。

- 8 電源供應模組把手：使用此把手來移除或插入電源供應模組。



小心：安裝應由專業技師執行。

本章涵蓋下列安裝主題：

- 安裝時須注意的預防措施
- W-6000 控制器元件和機架安裝裝備需求
- 為 W-6000 控制器選擇合適的環境
- 將 W-6000 控制器安裝在機架中
- 連接電源至 W-6000 控制器

安裝前核査清單

安裝時，您需要下列工具：

- Dell PowerConnect W-6000 控制器
- Dell PowerConnect W-6000 控制器機架安裝硬體 (附帶)
- 十字螺絲起子
- 19 英寸設備機架或同等機架
- 3U 機架空間，在機架前後左右留有 10 釐米 (4 英寸) 空隙
- 另一人幫助為 W-6000 控制器定位
- 每個電源供應模組一條電源線，纜線的額定電流須至少 10 A，並配備 IEC320 連接器
- 充分的電源供應模組和電力（參閱第 25 頁上的「電源管理」）
- 冷卻、無冷凝空氣 0 至 40 °C (32 至 104 °F)：可能需要空氣調節
- 帶有 RJ-45 或 DB-9 串列埠的控制台終端
- 帶有 RJ-45 插頭的 RS-232 串列纜線
- 如果以 DB-9 連接控制台，需要串列配接器 (附帶)

預防措施

小心：當電源供應模組插入電源插座時，總會有超過 240 VAC 電壓的危險。使用此產品前，除下所有戒指、珠寶首飾和其他可能有傳導力的物質。

即使電源供應模組已關閉、拔去插頭或移除，絕不能將外來物件插入機箱、電源供應模組或任何其他元件。

從插座拔去所有安裝的電源供應模組的電源線，即可完全斷掉 W-6000 控制器的主要電源。為了確保安全，確認操作員能夠取用電源插座和插頭。

切勿處理未絕緣的電氣纜線。這包括任何網路纜線。

為了使電氣危害減至最少，不要讓產品接近水和其他液體。

在安裝和操作產品的所有階段，皆遵守電氣接地標準。不要讓 W-6000 控制器機箱、網路連接埠、電源供應模組或安裝托架接觸任何接上另一電氣接地的裝置、纜線、物件或人。同時，絕不要將裝置連接外部風暴接地源。

安裝或移除機箱或任何模組，必須在無靜電的環境中執行。強烈建議正確使用防靜電護帶和防靜電墊子。

當不安裝在機箱時，模組必須放在防靜電的包裝內。

運送/儲存此產品時，切勿接近強大的電磁場、靜電場、磁場或放射場。

切勿拆開機箱或任何模組。其內部沒有使用者能夠修理的零件。如果需要維修或修理，請參閱第 6 頁上的「[聯絡支援部門](#)」。



需求

最低系統配置

Dell PowerConnect W-6000 控制器必須包含下列基本元件：

- 一個 W-6000 控制器機箱
- 一個風扇組
- 一個插入插槽 0 的 W-6000M3 控制器模組 (另售)
- 至少兩個 400W 電源供應模組



注意：所需的電源供應模組數目，視安裝在機箱的 W-6000M3 控制器模組數目而定（參閱第 25 頁上的「[電源管理](#)」）。

W-6000 控制器運送時已安裝所有必要的電源供應模組和風扇組。按本章中的說明安裝機箱，然後參閱本手冊隨後的章節，了解安裝每一個額外模組的說明。

機架安裝套件

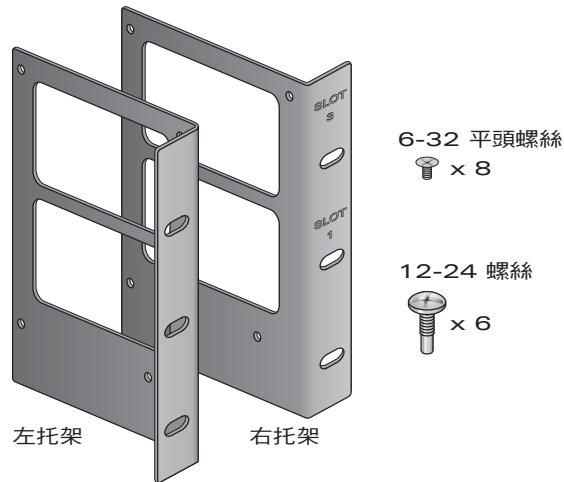
使用附帶的機架安裝套件，即可將 W-6000 控制器安裝在標準的 19 英寸電訊網路設備機架上。機架安裝套件包含下列配件：

- 6-32 x 1/4” 十字頭螺絲（6 個，附帶）
- 12-24 x 5/8” 十字頭螺絲（4 個，附帶）

此外，W-6000 控制器也可以安裝在 19 英寸的伺服器機架上。若要安裝在伺服器機架上，需要下列隨附的配件：

- 6-32 x 1/4" 十字頭螺絲（6 顆，附帶）
- M6 x 20mm 十字頭螺絲（4 顆，附帶）
- M6 鎖緊螺帽（4 個，附帶）或 M6 鎖緊夾（4 個，附帶）

圖 2 機架安裝硬體 (所示為電訊套件)



注意：六顆 12-24 螺絲用於將機箱固定在機架上。某些機架需要未附帶的不同螺絲。在安裝機架前，確認有適合所使用機架系統的正确螺絲或扣釘。

選擇位置

正如其他網路和計算裝置，W-6000 控制器需要「於電子無害」的環境。

- 可靠電源

確認電源插座與 W-6000 控制器 (HW-PSU-400) 電源供應模組相容；電源供應模組的額定總功率為 400 W，並自動測距以 50 至 60 Hz 頻率接受 85 至 264 VAC 電壓。

電源線的額定電流必須為 10 A，並符合產品操作的所在國家之接地電氣標準。

使用電線調節器或不斷電 (UPS) 系統，能夠減少或緩和電源服務波動所造成的問題。根據上述的資訊，確認電源整形裝置的輸出與 W-6000 控制器電源供應模組相容。

- 冷卻、無冷凝通風

為確保操作正確，W-6000 控制器需要周圍溫度介於 0 至 40 °C (32 至 104 °F) 的環境。濕度必須保持在介於 5 至 95% 的無冷凝水平。

如果有大量電氣裝置在同一區域工作，可能需要額外的空氣調節或空氣流通設備。

- 寬敞空間

為確保空氣流通，在機箱前後左右的通氣口至少留下 10 釐米 (4 英寸) 空隙。

在機箱前面留下更多空間，以便使用電源線、網路纜線和 LED 指示燈。

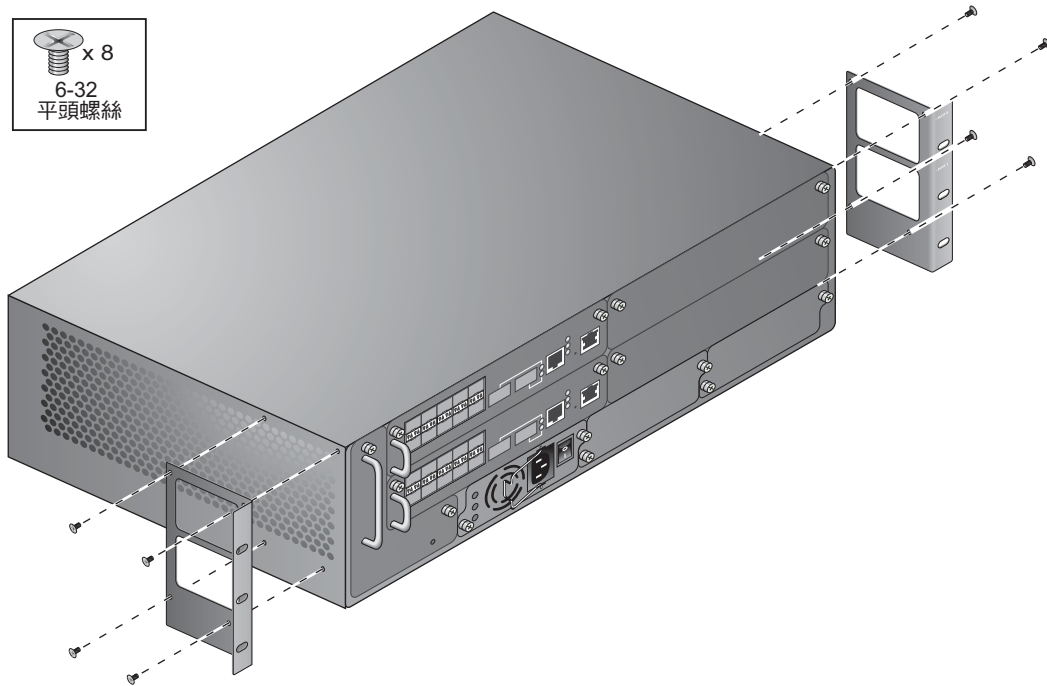
- 有限電磁干擾

為確保最佳操作，確定 W-6000 控制器和所有纜線離開螢光裝置至少 0.7 米 (2 英尺)，同時距離影印機、無線電發射機、發電機和其他電磁干擾源至少 2 米 (6 英尺)。

安裝機架式機箱

1. 確認機架環境符合需求（參閱第 11 頁上的「選擇位置」）。
2. 如第 12 頁上的圖 3 所示，將機架安裝托架附在機箱上。

圖 3 附上機架安裝托架



標示為插槽 1 和 3 的托架須安裝在 W-6000 控制器機箱的右邊。確定兩個托架的方向，讓窄凸邊面向前面。當正確放置後，托架的大長方形空處將定位在旁邊的通風口之上，讓空氣在操作時能夠適當流通。

使用十字螺絲起子，將每個托架以四顆 6-32 平頭螺絲 (附帶) 牢牢地附上。

3. 將 W-6000 控制器裝到機架上。



小心：為了避免受傷或對設備造成傷害，提起和放置 W-6000 控制器時請人協助。同時，切勿以任何會發生不穩定或不勻機械負載的方式安裝 W-6000 控制器。



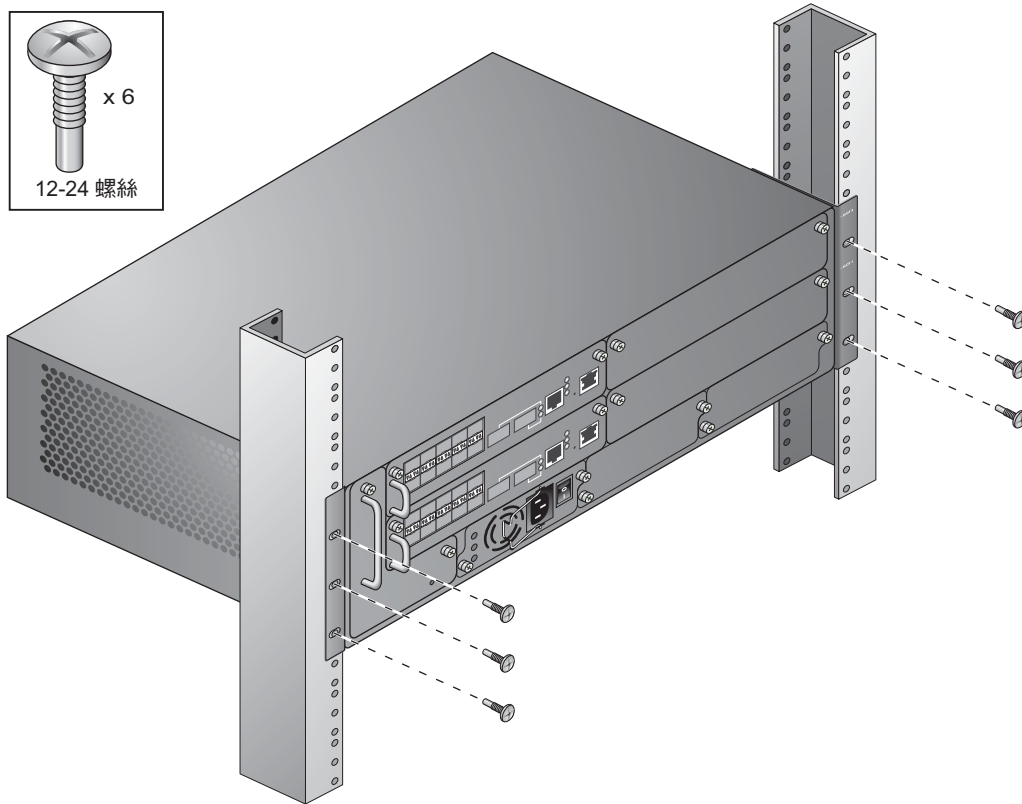
注意：為確保操作正確，W-6000 控制器要求環境溫度介於 0 至 40 °C (32 至 104 °F)。確認機架環境符合標準。

如果在伺服器機架上安裝此裝置，先安裝鎖緊螺帽/鎖緊夾。完成下列步驟，以安裝鎖緊螺帽/鎖緊夾：

- a. 以插入鎖緊螺帽的下緣開始，但放置在軌道後面的正方形開口之上。
- b. 將鎖緊螺帽安裝工具的小端穿過軌道中的開口（從前部），將工具鉤在鎖緊螺帽的上緣上。
- c. 將鎖緊螺帽朝著軌道推入，同時向上轉動工具，並朝著您的方向回拉工具，直至鎖緊螺帽的上緣卡入到位。
- d. 繼續如常安裝 W-6000 控制器。

把機箱定位在設備機架上，並將托架的安裝孔與機架框中相對的通孔對齊。

圖 4 安裝 W-6000 控制器



使用十字螺絲起子，每個安裝托架以三顆 12-24 螺絲 (電訊機架) 或三顆 M26 x 20mm (伺服器機架) 將機箱固定在機架上。



注意：某些座架需要未附帶的不同螺絲。確認使用適合機架系統的正确螺絲或扣釘。

新增 W-6000M3 控制器模組

如果模組與機箱分開收到，或希望以其他模組拓展系統，請參閱本手冊隨後的章節，以了解安裝每個模組的具體說明。



注意：透過新增模組，會提高總電力負載。根據所安裝的模組，您可能必須新增電源供應模組到機箱中，以及/或提高站點電氣系統的容量。詳情請參閱第 25 頁上的「電源管理」。

連接電源



小心：這個程序應由專業技師執行。

1. 確認您理解這個程序和所有預防措施。
在開始之前，請閱讀整個程序。確認您理解各步驟及第 10 頁上的所有預防措施。
2. 確認所安裝的電源供應模組能夠應付電力負載。
W-6000 控制器所需要的電源供應模組數目，視所安裝的 W-6000M3 控制器模組數目而定。詳情請參閱第 25 頁上的「[電源管理](#)」。
3. 確認站點的電氣系統能夠應付 W-6000 控制器的電力負載。
 - 每個 W-6000 控制器電源供應模組 (HW-PSU-400) 的額定功率為總輸出 400 W，並自動測距以 50 至 60 Hz 頻率接受 85 至 264 VAC 電壓。根據總電力負載，您可能必須提高站點電氣系統的容量。詳情請參閱第 25 頁上的「[電源管理](#)」。



注意：使用電線調節器或不斷電 (UPS) 系統，能夠減少或緩和電源服務波動所造成的問題。根據上述的資訊，確認電源整形裝置的輸出與 W-6000 控制器電源供應模組相容。

4. 確認電源供應模組的電力開關處於「關」(●) 位置。



小心：當電源供應模組的電源開關處於「開」(I) 的位置上，絕不能將電源線接上模組。首先確認電源開關處於「關」位置 (●)。

5. 將電源線接上電源供應模組。
將合適的電源線插入電源輸入插座。該插座適用於帶有標準 IEC320 插頭的電源線。



小心：為了確保安全和效能，電源線的額定電流必須為 10 A，並符合產品操作的所在國家之接地電氣標準。



注意：400 W 電源供應模組 (HW-PSU-400) 附帶電源線固定夾。當接上電源線，固定夾可用來固定電源線，有助於防止電源線被意外拉出 (參閱第 26 頁上的圖 8)。

6. 將電源線插到合適的電氣插座。



小心：基於安全理由，確定操作員能夠輕易取用電源插座和插頭，並在需要時迅速中斷連接。

對於每個安裝的電源供應模組，重複執行上述的步驟 4、5 和 6。
接上電源後，就可以執行開機測試 (參閱第 15 頁)。

當實際安裝了 W-6000 控制器之後，執行以下的開機測試：

1. 連續迅速開啟所有安裝的電源供應模組。
將每個電源供應模組的電源開關置於「開」(I) 的位置。



注意：為避免先開啟的電源供應模組超載，所有必要的電源供應模組應差不多同時(大約三秒鐘內)開啟。

2. 檢查電源指示燈是否正確亮起。
一開機，隨即應觀察下列指示燈：
 - 所有電源供應模組的 AC OK 和 DC OK LED 指示燈綠燈恆亮。
 - 風扇組的風扇狀態 LED 指示燈綠燈恆亮，應該能夠感受到三個風扇位置皆有相當強的氣流從機箱通氣口吹出。
3. 檢查操作指示燈是否正確亮起。
系統成功開機後，即應觀察下列各指示燈：
 - 電源供應模組的 AC OK 和 DC OK LED 指示燈仍然綠燈恆亮。
 - 風扇組的風扇狀態 LED 指示燈仍然綠燈恆亮。



注意：若需要有關 LED 行為的更多資訊，請參閱說明特定模組的章節。

4. 系統通過最初的開機測試後：
 - 接上合適的網路纜線。
5. 現在即可按照 *Aruba Quick Start Guide* (附帶於配件套件中) 的說明為載入控制器的軟體進行初步設定。

Dell PowerConnect W-6000 控制器風扇組 (HW-FT) 促進空氣流通，用於冷卻 Dell PowerConnect W-6000 控制器機箱內的 W-6000M3 模組，為確保模組正常操作必須安裝。W-6000 控制器機箱的正常工作溫度介於 0 至 40 °C（32 至 104 °F）。如果超過此溫度範圍，W-6000 會經由軟體發出警告，提醒使用者有關變更。下表說明各種警報及其閾值：

表 3 溫度閾值

警報嚴重程度	閾值
輕微	40 °C
重大	50 °C
嚴重	60 °C

本章說明風扇組的一般功能以及實體特徵，並提供在需要時更換模組的說明。

功能

內建備援

風扇組內裝有三台風扇。即使有一台風扇發生故障，這個模組的設計也能夠提供冷卻效果。另兩台操作的風扇會提供足夠的氣流作適當冷卻，直至該風扇組被更換。

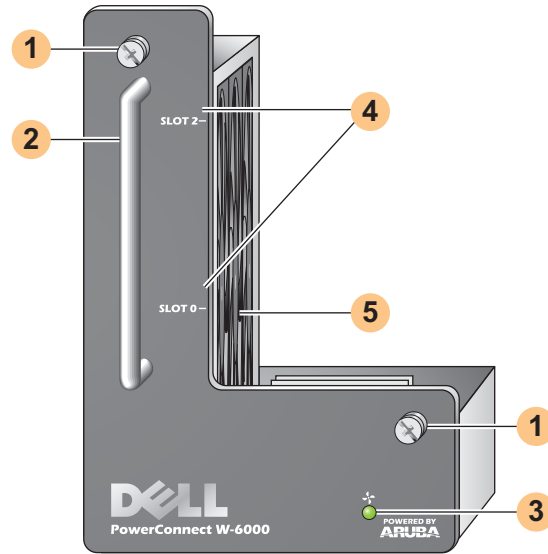
熱抽換

熱抽換應由專業技師執行。熱抽換讓您無需關閉系統，即可更換風扇組。機箱在更換時會繼續在沒有風扇下操作，但更換程序必須在一分鐘內完成才能恢復正常冷卻。

實體說明

風扇組槽在 W-6000 控制器機箱的左邊，從機箱前面伸延至背面。

圖 5 Dell W-6000 控制器系列風扇組



- 1 模組繫牢固用螺絲：這些彈簧螺絲用於將模組固定於機箱的風扇組槽上。
- 2 模組把手：此把手用於移除模組或將模組插入機箱。



小心：切勿使用風扇組把手來提起或移動 W-6000 控制器。可造成嚴重損壞。

- 3 風扇狀態 LED 指示燈：操作時，風扇狀態 LED 指示燈提供以下資訊：

表 4 風扇組 LED 行為

狀態	說明
關	風扇組不在操作。
綠燈	風扇組接上電源，三台風扇全部正確操作。
琥珀燈	一台風扇發生故障，但其餘兩台能夠提供適當冷卻效果，直至可方便更換風扇。
紅燈	兩台或以上的風扇發生故障。立即更換風扇組。



注意：除了 LED 之外，可以使用 CLI 檢視風扇組狀態及總體機箱溫度。

- 4 插槽標籤：當風扇組安裝在 W-6000 控制器內時，這些標籤指出風扇組右方的模組插槽的名稱 (參閱第 7 頁上的圖 1)。
- 5 風扇 (旁邊)：三台獨立的風扇為 W-6000 控制器卡提供備援冷卻。

更換風扇組



小心：許多修理工作只可由持有執照的維修技師執行。您應只根據產品文件所授權，或按照維修和支援團隊透過線上或電話所提供的指示，進行疑難排解和簡單修理工作。保固不涵蓋未經 Dell 授權的維修所造成的損壞。請閱讀並遵循伴隨產品的安全說明。

如果熱抽換風扇組，請注意部分程序時間攸關重要。為了確保準備妥當，請在更換前細閱更換程序的各個步驟。

同時，務必理解各個步驟及第 10 頁上的全部預防措施。

準備新風扇組

1. 取出新風扇組
2. 檢查新風扇組，確保沒有損壞。
3. 將新風扇組放在機箱附近的安全處備用，以便可立即插入。
4. 找一支 2 號十字螺絲起子。

移除舊風扇組

1. 鬆開風扇組繫牢用的螺絲。

在 W-6000 控制器前面，使用螺絲起子鬆開所安裝風扇組的面板上的兩顆繫牢用螺絲。螺絲會在逆時針方向旋轉後鬆開，但因有彈簧而未能完全移除。

2. 分開風扇組。

緊握模組把手，將風扇組向前從槽中抽出。模組連接器脫離機箱背板時，或許有一些阻力，但切勿過度用力。

當模組完全脫離背板，工作的風扇將失去電源，並逐漸停止旋轉。

小心：即使沒有電源，風扇仍然繼續旋轉一會兒。請等到風扇停止旋轉，才移除風扇組。



同時，熱抽換時，風扇一停止旋轉，W-6000 控制器將繼續操作，但熱會開始在操作元件中累積。接著，新風扇組必須在有限的時間 (一分鐘) 內完成安裝。

必須遵守一分鐘的時限，因為 W-6000 控制器沒有熱關閉功能。如果無法在一分鐘內更換風扇組，關閉控制器。

3. 分開後，風扇組應該能夠輕鬆滑出機箱。將風扇組完全移除，並安全地放在旁邊備用。

插入新風扇組

1. 以前面板上的把手提起新風扇組。
2. 將風扇組小心插入機箱的風扇組槽。

將風扇組的後部與機箱的風扇組槽內的導軌對齊，再輕輕滑向背板。大部分時間，模組應該輕鬆滑動。

3. 裝上風扇組。

當風扇組到達機箱背部，或許會感受到一些阻力。用力按一下，讓模組背部的連接器與背板接上，但切勿過度用力。

當熱抽換風扇組，連接器正確接上時，風扇的電源應會恢復並開始旋轉。

4. 檢查風扇，確認全部都工作。

風扇組電源恢復後，或在熱抽換時將模組裝上背板，或在冷抽換後開啟系統電源，風扇狀態 LED 指示燈應會亮起綠燈，您應該能夠感受到每台風扇位置的機箱排風口有相當強的氣流吹出。

如果風扇全部工作，則熱抽換程序的時間攸關部分結束。

如果最新熱抽換的風扇組的其中一台風扇不操作 (風扇狀態 LED 亮起黃燈)，在進行另一次熱抽換前至少等待三分鐘，讓其餘風扇冷卻機箱。



小心： 如果最新熱抽換的風扇組的其中兩台或以上風扇不操作 (風扇狀態 LED 亮起紅燈)，關閉 W-6000 控制器並更換風扇組，讓 W-6000 控制器至少有五分鐘時間冷卻，然後才重新開啟。

5. 固定風扇組。

使用螺絲起子，將新安裝的風扇組面板上的兩個繫牢用的螺絲推進並擰緊。順時針方向旋轉螺絲，直至感到有一些阻力，但不要擰得太緊。

Dell PowerConnect W-6000M3 是熱抽換控制器模組，用於 W-6000 控制器機箱系統。W-6000 控制器機箱能夠承載最多四個模組，每個模組可設定為主模組或本地模組。若需要有關 W-6000M3 的詳情，包括安裝說明和相容/配置選項，請參閱 *Dell PowerConnect W-6000M3 安裝指南*。有關電源管理詳情，請參閱第 25 頁上的「電源管理」。

每個 W-6000M3 控制器模組使用 Dell AP 升級授權，能夠支援最多 512 個連接校園的 AP。請聯絡 Dell 銷售代表，以獲得可用軟體授權的完整清單。

若需要有關安裝和操作 Dell PowerConnect W-6000M3 控制器模組的資訊，請參閱伴隨每個模組的 *Dell PowerConnect W-6000M3 控制器模組安裝指南*。

Dell PowerConnect W-6000 控制器電源供應模組調節電源，以配合 W-6000 控制器使用。W-6000 機箱配備三個插槽，能夠插入個別電源供應模組，以支援負載分享和容錯功能。

本章描述電源供應模組的一般功能以及實體特徵，並提供重要的耗電管理資訊。本章最後幾節涵蓋插入和移除電源供應模組的必要步驟。

功能

額定功率

Dell W-6000 Power Supply (HW-PSU-400) 的額定功率為總輸出 400 W，並自動測距以 50 至 60 Hz 頻率接受 85 至 264 VAC 電壓。W-6000 控制器內可安裝最多三個 400 W 電源供應模組。

負載分享

當在 W-6000 控制器內安裝一個以上相同額定功率的電源供應模組並開啟時，負載分享就發生。負載分享將 W-6000 的總電力負載分給所有插入的電源供應模組。由於電源供應模組一起工作，機箱的有效電容量會隨每增加一個電源供應模組而提高。

備援

當安裝多個電源供應模組，如果一個無法使用（發生故障或關閉或被移除），剩下的電源供應模組將嘗試為 W-6000 控制器提供全部電力。如果總電力負載不超過剩下操作的電源供應模組的結合額定輸出，W-6000 將繼續操作。若需要更多有關電源供應配置的資訊，參閱第 25 頁上的「[電源管理](#)」。

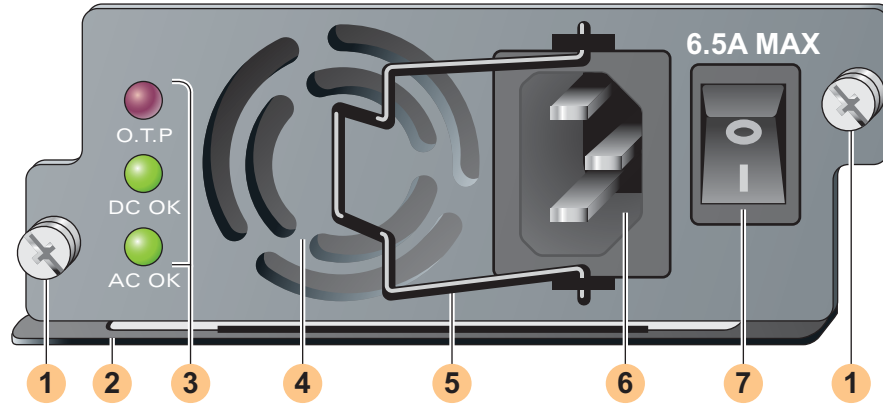
熱抽換

熱抽換應由專業技師執行。熱抽換讓您在其他電源供應模組提供全部電力時，更換發生故障的電源供應模組。因此，無需在更換程序中關閉 W-6000 控制器。

熱抽換要求，在移除目標電源供應模組後，機箱的總電力負載不能超過剩餘電源供應模組的結合額定輸出。

實體說明

圖 6 400W 電源供應模組



- 1 模組繫牢用螺絲：這兩顆繫牢用的彈簧螺絲，將電源供應模組固定於機箱內。
- 2 模組把手：此把手用於移除模組或將模組插入 W-6000 機箱。



小心：切勿使用電源供應模組把手來提起或移動 W-6000 控制器。可造成嚴重損壞。

- 3 LED 指示燈

表 5 400W 電源供應模組 LED 指示燈

LED 名稱	位置	狀態	說明
O.T.P. (過溫度保護)	上	關	電源供應模組溫度正常。
		紅燈	電源供應模組的風扇發生故障，或溫度太高。
DC OK	中	綠燈	DC 電源輸出正常。
		紅燈	DC 電源輸出未在容差之內。
AC OK	下	綠燈	AC 電源輸出正常。
		紅燈	AC 電源輸出未在容差之內。



注意：除了 LED 之外，可以使用 CLI 檢視電源供應模組狀態。

- 4 進氣口：這個進氣口幫助內部風扇在操作時冷卻電源供應模組。為了防止阻塞，所有材料必須至少離開進氣口 10 釐米 (4 英寸)。
- 5 電源線固定夾：在插頭插入電源輸入插座後，這個夾會套上電源線。這有助於防止電源線被意外拉出。



小心：切勿使用電源線固定夾來移除電源供應模組，或提起或移動 W-6000。

- 6 電源輸入插座：這個電源插座適用於帶有標準 IEC320 連接器的電源線。為了確保安全和效能，電源線的額定電流必須為 10 A，並符合使用產品的所在國家之接地電氣標準。
- 7 電源開關：電源開關有兩個狀態：「關」(●) 和「開」(|)。

電源管理

W-6000 控制器最多支援三個 400 W 電源供應模組。如果使用一至兩個主要電源供應模組作 400 至 800 W 的主要電源，就有可能使用 400 W 備援電源供應模組。

為了規劃最大容量，新增機箱配置中所有模組需要的最大功耗，以確定所需電源供應模組數目。

W-6000M3 模組與 PSU 配置表

下表顯示 W-6000M3 模組配置以及相應的電源供應配置和電源使用量。

表 6 電力供應模組與模組配置

模組	單元數目			
W-6000M3 控制器模組 (每個模組的最大功耗為 130 W)	1	2	3	4
總功耗 (W)	130	260	390	520
必要 PSU 數目	1	1	1	2
備援 PSU 數目	1 或 2 台	1 或 2 台	1 或 2 台	1

插入電源模組



小心：許多修理工作只可由持有執照的維修技師執行。您應只根據產品文件所授權，或按照維修和支援團隊透過線上或電話所提供的指示，進行疑難排解和簡單修理工作。保固不涵蓋未經 Dell 授權的維修所造成的損壞。請閱讀並遵循伴隨產品的安全說明。

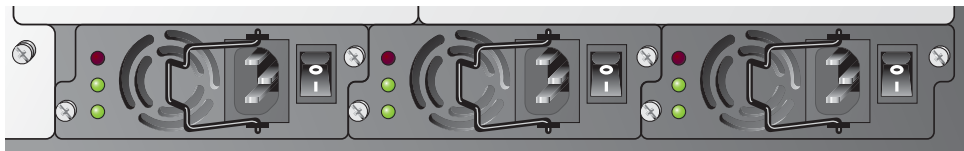
1. 確認您理解這個程序和所有預防措施。

在開始之前，請閱讀整個程序。確認您理解各步驟及第 10 頁上的所有預防措施。

2. 為電源供應模組選擇插槽。

- 400 W 電源供應模組 (HW-PSU-400) 能夠安裝在任何電源供應插槽中，而任何電源供應插槽可以留空。換言之，電源供應模組用的插槽不必按一定的次序使用。

圖 7 400 W 電源供應模組已安裝



如果要更換先前安裝的電源供應模組，請首先參閱第 27 頁上的「移除電源模組」。

如果在空插槽中安裝電源供應模組，可能需要先移除封口蓋板。進行時使用 2 號十字螺絲起子。逆時針方向轉動面板上的彈簧繫牢用螺絲，直至鬆開（無法完全移除）。移除蓋板並放在安全的地方。

3. 確認要安裝的電源供應模組上的電源開關處於「關」(O)。



小心：當電源供應模組處於「開」(I) 位置時，或如果電源線插入電源供應模組時，絕不要插入或移除電源供應模組。首先確認電源開關處於「關」(O)，而電源線已從 W-6000 PSU 模組拔除。

4. 將電源供應模組插入機箱。

以電源供應模組底部的把手握著模組，讓 LED 留在左方，而電源開關在右方。切勿使用電源線固定夾，來插入或移除電源供應模組。將模組的後部與機箱的電源供應模組插槽內的導軌對齊，再輕輕滑向背板。切勿用力推動模組，大部分時間應該會輕易滑動。當電源供應模組接觸機箱背部的連接器時，也許有一些阻力。用力按下以接上連接器，但切勿過度用力。

5. 繫牢電源供應模組

使用螺絲起子，將模組的繫牢用彈簧螺絲推進，並順時針方向轉動，直至感到一些阻力。切勿擰得太緊。

6. 將電源線接上電源。



注意：接上電源線前，將電源線固定夾移至左方。

將合適的電源線插入電源輸入插座。該插座適用於帶有標準 IEC320 插頭的電源線。

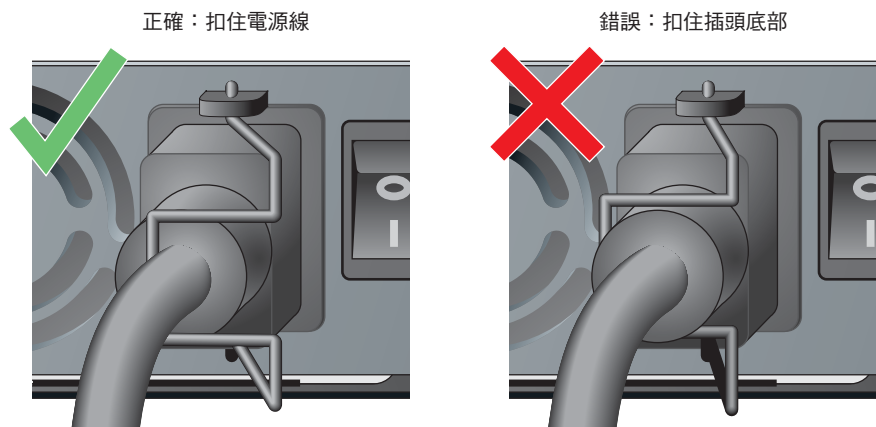


小心：為了確保安全和效能，電源線的額定電流必須為 10 A，並符合產品操作的所在國家之接地電氣標準。

7. 繫牢電源線。

當接上電源線時，將電源線固定夾移至右方 (如第 26 頁上的圖 8 所示)。這將固定插頭，有助於防止纜線被意外移除。

圖 8 使用電源線固定夾



8. 將電源線插到合適的電氣插座。

確認站點的電氣系統能夠應付 W-6000 的電力負載。

- 每個電源供應模組 (HW-PSU-400) 的額定功率為總輸出 400 W，並自動測距以 50 至 60 Hz 頻率接受 85 至 264 VAC 電壓。

根據 W-6000 的總電力負載，您也許必須提高您站點的電氣系統的容量。詳情請參閱第 25 頁上的「[電源管理](#)」。



小心：基於安全理由，確定操作員能夠輕易取用電源插座和插頭，並在需要時迅速中斷連接。



注意：使用電線調節器或不斷電 (UPS) 系統，能夠減少或緩和電源服務波動所造成的問題。確認電源整形裝置的輸出與 W-6000 控制器電源供應模組相容。

移除電源模組



小心：許多修理工作只可由持有執照的維修技師執行。您應只根據產品文件所授權，或按照維修和支援團隊透過線上或電話所提供的指示，進行疑難排解和簡單修理工作。保固不涵蓋未經 Dell 授權的維修所造成的損壞。請閱讀並遵循伴隨產品的安全說明。

1. 確認您理解這個程序和所有預防措施。
在開始之前，請閱讀整個程序。確認您理解各個步驟和第 10 頁上的所有預防措施。
2. 確認要移除的電源供應模組上的電源開關處於「關」(●) 位置。



小心：當電源供應模組的電源開關處於「開」(I) 位置時，絕不要插入或移除電源供應模組。首先確認電源開關處於「關」位置 (●)。

3. 拔出要移除的電源供應模組。
如果使用電源線固定夾，首先將固定夾移至左方，與插頭分開。然後移除插頭。
4. 移除電源供應模組。
使用 2 號十字螺絲起子，逆時針方向轉動電源供應模組上的繫牢用彈簧螺絲，直至鬆開（無法完全移除）。緊握電源供應模組的把手，小心從機箱中拉出模組。
5. 蓋上空的插槽。
基於安全考量，也為了確保有足夠氣流作冷卻，同時防止塵埃進入機箱，用封口蓋板蓋上未使用的插槽。

實體

表 7 實體規格

項目	尺寸
大小	高度 14.9 釐米 (5.85 英寸) 寬度 44.2 釐米 (17.4 英寸) 深度 31.8 釐米 (12.5 英寸)
重量	26.5 公斤 (58 磅) (最高) 6.3 公斤 (13.9 磅) (機箱和風扇組) 4.4 公斤 (9.6 磅) (每個電源供應模組)

環境

表 8 環境規格

項目	度量
溫度	工作溫度：0 至 40 °C (32 至 104 °F) 儲存溫度：0 至 50 °C (32 至 122 °F) 輕微警報：40 °C 重大警報：50 °C 嚴重警報：60 °C
濕度	5% 至 95% (無冷凝)
高度	3,048 米 (10,000 英尺) (最高)

操作

表 9 操作規格

項目	度量
電源供應模組	型號 HW-PSU-400— 輸入：85-264 VAC, 50-60 Hz 輸出：48 V, 8 A
功率消耗	460W (每個電源供應模組) (最高)
網路管理	HTML 網路瀏覽器介面
標準	IEEE 802.1x, IEEE 802.3 10BASE-T, IEEE 802.3u 100BASE-TX, IEEE 802.3ab 1000BASE-T, IEEE 802.3z 1000BASE-SX

規範

電磁干擾

美國

FCC A 級

本設備經測試證明符合 FCC 規則第 15 部分有關 A 級數位裝置的限制規定。這些限制旨在對設備在商務環境中工作時產生的有害干擾提供合理防護。本設備可產生、使用並會發射無線射頻能量，如果不按照說明手冊進行安裝和使用，有可能對無線電通訊產生有害的干擾。在住宅區操作本設備，很可能會產生有害的干擾；在這種情況下，使用者必須修正干擾狀況，並自行負擔費用。

任何未獲負責規範方面明確批准而做出的變更或修改，可使使用者操作本設備的授權無效。

本產品符合 FCC 規則第 15 部分的規定。操作受到下列兩個條件所限制：(1) 這台裝置不可產生有害的干擾；以及 (2) 這台裝置必須接受任何接收到的干擾，包括可能導致操作不理想的干擾。

加拿大

本數位設備未超過標題為「數位設備」(ICES-003 of the Department of Communications) 的產生干擾的設備之標準所列明的數位設備無線電噪音排放的 A 級限制。

Cet appareil numérique respecte les limites de bruits radioélectriques applicables aux appareils numériques de Classe A prescrites dans la norme sur le matériel brouilleur: “Appareils Numériques,” NMB-003 édictée par le ministère des Communications.

日本

VCCI - A 級

この装置は、情報処理装置等電波障害自主規制協議会（VCCI）の基準に基づくクラスA情報技術装置です。この装置を家庭環境で使用すると電波妨害を引き起こすことがあります。この場合には使用者が適切な対策を講ずるよう要求されることがあります。

This device complies with Part 15 of the FCC Rules. Operation is subject to the following two conditions: (1) this device may not cause harmful interference, and (2) this device must accept any interference received, including interference that may cause undesired operation.

This Class A digital apparatus complies with Canadian ICES-003.
Cet appareil numérique de la classe A est conforme à la norme NMB-003 du Canada.

Apparatet må tilkoples jordet stikkontakt.

Laite on liitettävä suojamaadoituskoskettimilla varustettuun pistorasiaan.

この装置は、クラス A 情報技術装置です。この装置を家庭環境で使用すると電波妨害を引き起こすことがあります。この場合には使用者が適切な対策を講ずるよう要求されることがあります。

VCCI-A

歐洲



警告： 這是 A 級產品。在住宅環境中，本產品可能產生無線電干擾；在這種情況下，使用者可能需要採取充分的措施。

本產品符合 EN55022 A 級和 EN55024 標準。

安全性

鋰電池公告

本產品含有鋰電池，只可由專業技師更換。



小心： 如果更換不當，鋰電池可能會爆炸。專業技師更換電池時，應使用製造商建議的電池或同等類型的電池。按照製造商的說明處理用完的電池。

雷射公告

配合本產品使用的 Dell PowerConnect W-6000M3 控制器模組，在某些埠使用可更換的雷射收發機模組。



小心： 如果採用本手冊中規定以外的效能或程序控制或調整，可能會導致危險的輻射暴露。

本產品符合 21 CFR 第 1 章第 J 分章第 1040.10 部分，以及 IEC 60825-1: 1993、A1: 1997、A2: 2001、IEC 60825-2: 2000。

為了繼續符合上述雷射安全標準，應只在產品中安裝我們認可的供應商所生產的經認證 1 級模組。

Dell PowerConnect

Kontroler W-6000

Panduan Instalasi



Hak cipta

© 2011 Aruba Networks, Inc. AirWave®, Aruba Networks®, Aruba Mobility Management System®, dan merek terdaftar lainnya adalah merek dagang Aruba Networks, Inc. Dell™, logo DELL™, dan PowerConnect™ adalah merek dagang Dell Inc.

Hak cipta dilindungi undang-undang. Spesifikasi dalam manual ini dapat berubah sewaktu-waktu tanpa pemberitahuan.

Berasal dari AS. Merek dagang lain yang muncul dalam manual ini adalah milik perusahaannya masing-masing.

Kode Sumber Terbuka

Beberapa produk Aruba mengandung kode perangkat lunak Sumber Terbuka yang dikembangkan oleh pihak ketiga, termasuk kode perangkat lunak yang tunduk pada GNU General Public License (GPL), GNU Lesser General Public License (LGPL), atau Lisensi Sumber Terbuka lain. Kode Sumber Terbuka yang digunakan tercantum di situs ini:

http://www.arubanetworks.com/open_source

Pemberitahuan Hukum

Penggunaan perangkat lunak dan platform switch Aruba Networks, Inc, oleh semua individu atau perusahaan, untuk menghentikan perangkat klien VPN milik vendor lain merupakan penerimaan tanggung jawab sepenuhnya oleh individu atau perusahaan tersebut untuk tindakan ini dan melepaskan sepenuhnya tanggung jawab Aruba Networks, Inc. dari setiap dan semua tindakan hukum yang mungkin ditujukan kepadanya yang berkaitan dengan pelanggaran hak cipta atas nama vendor tersebut.

Prakata	5
Ikhtisar Manual Ini	5
Dokumen Terkait.....	5
Konvensi Teks	5
Menghubungi Dukungan	6
Bab 1 Ikhtisar Sistem	7
Fitur	7
Deskripsi Fisik	7
Bab 2 Memasang Sasis	9
Daftar Periksa Pra-Instalasi	9
Tindakan Pencegahan.....	10
Persyaratan	10
Konfigurasi Minimum.....	10
Kit Dudukan Rak	11
Memilih Lokasi.....	11
Memasang Sasis di Rak.....	12
Menambahkan Modul Kontroler W-6000M3.....	13
Menyambungkan Daya.....	14
Bab 3 Memeriksa Instalasi	15
Bab 4 Wadah Kipas	17
Fitur	17
Redundansi Bawaan.....	17
Penggantian Saat Alat Hidup	17
Deskripsi Fisik	17
Mengganti Wadah Kipas.....	19
Menyiapkan Wadah Kipas Baru	19
Melepas Wadah Kipas Lama	19
Memasang Wadah Kipas Baru	20
Bab 5 W-6000M3 PowerConnect Dell	21
Bab 6 Modul Catu Daya W-6000	23
Fitur	23
Kemampuan.....	23
Pembagian Beban	23
Redundansi.....	23
Penggantian Saat Alat Hidup	23
Deskripsi Fisik	24
Manajemen Daya	25
Tabel Konfigurasi Catu Daya dan Modul W-6000M3	25
Memasang Catu Daya	25

	Melepas Catu Daya	27
Bab 7	Spesifikasi	29
	Fisik	29
	Lingkungan	29
	Operasi	29
	Kepatuhan.....	30
	Interferensi Elektromagnetik.....	30
	Amerika Serikat	30
	Kanada	30
	Jepang	30
	Eropa	31
	Keselamatan.....	31
	Pemberitahuan tentang Baterai Litium.....	31
	Pemberitahuan Laser	31

Prakata ini mengandung informasi berikut:

- Ikhtisar isi bab-bab dalam manual ini
- Daftar dokumentasi terkait untuk bacaan lanjut
- Keterangan konvensi teks yang digunakan dalam manual ini
- Informasi dukungan dan layanan Dell

Ikhtisar Manual Ini

Manual ini diperuntukkan bagi teknisi terlatih yang bertanggung jawab memasang Kontroler W-6000 PowerConnect Dell. Manual ini disusun sebagai berikut:

- Sasis Kontroler W-6000 PowerConnect Dell
Bab 1, 2, dan 3 membahas Kontroler W-6000, dan memberi petunjuk untuk memasang sasis, menyambungkan ke listrik, dan melakukan uji dihidupkan perdana.
- Modul Kontroler W-6000M3 PowerConnect Dell
Bab 4, 5, dan 6 berfokus pada modul tertentu dan menyertakan petunjuk untuk memasang atau melepas item tertentu.
- Lampiran

Dokumen Terkait

Item berikut merupakan bagian dokumentasi lengkap sistem Dell:

- *Panduan Instalasi Kontroler W-6000 PowerConnect Dell* (manual ini)
- *Panduan Pengguna ArubaOS PowerConnect Dell*
- *Panduan Instalasi W-AP PowerConnect Dell*

Konvensi Teks

Konvensi berikut digunakan di seluruh manual ini untuk memberi penekanan pada konsep penting:

Tabel 1 *Konvensi Teks*

<i>Kursif</i>	Gaya ini digunakan untuk memberi penekanan pada istilah penting dan menandai judul buku.
Item sistem	Font lebar-tetap ini dipakai untuk yang berikut: <ul style="list-style-type: none">• Contoh hasil layar• Prompt sistem• Nama file, perangkat lunak, serta perintah tertentu jika disebutkan dalam teks

Tabel 1 Konvensi Teks

Konvensi Teks	
Perintah	Dalam contoh perintah, font tebal ini memperlihatkan teks yang harus dimasukkan pengguna persis seperti terlihat.
<Argumen>	Dalam contoh perintah, teks kursif dalam kurung sudut melambangkan item yang harus diganti pengguna dengan informasi yang sesuai dengan situasi yang dihadapinya. Misalnya: # send <pesan teks> Dalam contoh ini, pengguna harus mengetik "send" di prompt sistem persis seperti yang terlihat, diikuti dengan pesan teks yang ingin dikirimkannya. Kurung sudut jangan dituliskan.
[Pilihan]	Dalam contoh perintah, item dalam kurung siku bersifat pilihan. Kurung siku jangan dituliskan.
{ Item A Item B }	Dalam contoh perintah, item dalam kurung kurawal dan dipisahkan garis vertikal melambangkan pilihan yang tersedia. Masukkan satu pilihan saja. Kurung kurawal atau garis vertikal jangan dituliskan.

Menghubungi Dukungan

Tabel 2 Informasi Kontak Dell

Situs Web	
Situs Web Utama	dell.com
Situs Web Dukungan	support.dell.com
Situs Web Dokumentasi	support.dell.com/manuals

Kontroler W-6000 PowerConnect Dell adalah sasis modular kelas-perusahaan yang menghubungkan, mengontrol, dan dengan cerdas mengintegrasikan Pemantau Udara (AM) dan Titik Akses (AP) nirkabel ke LAN berkabel.

Bab ini memperkenalkan Anda dengan Kontroler W-6000. Bab ini mendeskripsikan fitur umum sistem modular dan menguraikan ciri fisiknya yang penting. Setelah mengenal sistem ini, Anda dapat memulai proses pemasangan yang dibahas dalam bab berikut.

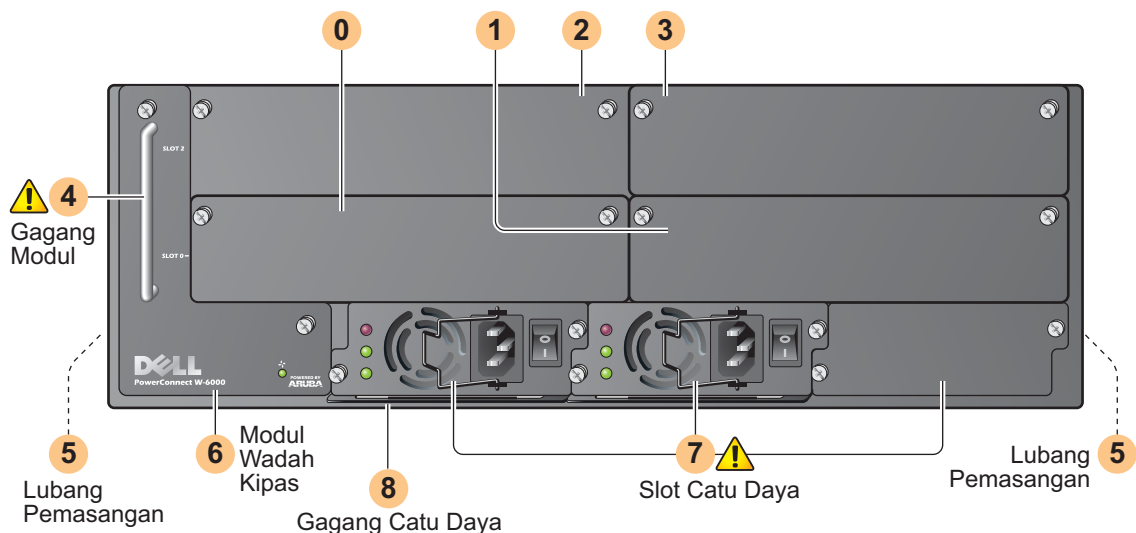
Fitur

Bagian ini menjabarkan fitur umum Kontroler W-6000.

- Switch Ethernet 10/100/1000 Mbps dan 10 Gbps dengan penerusan paket Lapisan-2/Lapisan-3 berkecepatan tinggi.
- Pemrosesan paket kinerja tinggi menyediakan layanan nirkabel bernilai tambah seperti penyeimbangan beban, pembatasan laju, pemulihan mandiri, kalibrasi, autentikasi, mobilitas, keamanan, serta pemantauan dan konfigurasi yang terpusat.
- Sasis 3U dapat dipasang di rak server atau telekom 19-inci standar.
- Sasis modular berbasis slot memudahkan pengembangan jaringan dan memiliki toleransi kegagalan.
 - Hingga 4 modul W-6000M3 PowerConnect Dell
 - Hingga 3 catu daya yang dapat diganti saat alat hidup dengan kemampuan pembagian beban untuk redundansi
 - Wadah kipas yang berisi tiga kipas untuk redundansi

Deskripsi Fisik

Gambar 1 Kontroler W-6000 PowerConnect Dell



- 0 Slot 0: Slot ini untuk Modul Kontroler W-6000M3 PowerConnect Dell yang diharuskan.

- 1 Slot 1: Slot ini untuk modul W-6000M3 tambahan.
- 2 Slot 2: Slot ini untuk modul W-6000M3 tambahan.
- 3 Slot 3: Slot ini untuk modul W-6000M3 tambahan.
- 4 Gagang Modul: Semua gagang modul hanya digunakan untuk melepas atau memasang modul.



HATI-HATI: Jangan menggunakan gagang modul untuk mengangkat atau memindahkan sasis Kontroler W-6000. Penggunaan gagang untuk menahan sasis dapat mengakibatkan kerusakan serius pada modul dan sasis.

- 5 Lubang untuk memasang braket dudukan rak (di samping)
- 6 Modul Wadah Kipas: Kontroler W-6000 didinginkan dengan udara yang dialirkan di sasis oleh wadah kipas. Wadah kipas mengalirkan udara dari kanan ke kiri (dilihat dari depan sasis) melintasi modul-modul yang terpasang.

Saat beroperasi, ventilasi di sisi kiri dan kanan sasis tidak boleh terhalang oleh kabel atau peralatan pemasangan. Agar udara dapat bersirkulasi dengan baik, beri jarak sekurangnya 10 cm (4 inci) di kiri dan kanan sasis.
- 7 Slot Catu Daya: Sasis memiliki slot bagi maksimum tiga catu daya. Jumlah catu daya yang diperlukan sistem tergantung pada jumlah Modul Kontroler W-6000M3 yang terpasang, serta apakah Anda hendak memasang catu daya persediaan. Lihat [“Manajemen Daya” di halaman 25](#) untuk informasi selengkapnya.

Setiap catu daya memiliki kabel listrik dan sakelar masing-masing.



HATI-HATI: Jangan pernah memasang atau melepas catu daya saat sakelarnya berada pada posisi Hidup atau saat kabel listriknya terpasang. Terlebih dahulu pastikan sakelar listrik pada posisi Mati dan kabel tercabut.



HATI-HATI: Pastikan melakukan tindakan pencegahan pengosongan elektrostatik yang benar saat menangani Kontroler W-6000 Dell dan komponennya.

- 8 Gagang Catu Daya: Gunakan gagang ini untuk melepas atau memasang catu daya.



HATI-HATI: Pemasangan harus dilakukan oleh teknisi terlatih.

Bab ini membahas topik pemasangan berikut:

- Tindakan pencegahan yang harus dilaksanakan saat pemasangan
- Persyaratan bagi komponen Kontroler W-6000 serta peralatan dudukan rak
- Memilih lingkungan yang sesuai bagi Kontroler W-6000
- Memasang Kontroler W-6000 di rak
- Menghubungkan daya ke Kontroler W-6000

Daftar Periksa Pra-Instalasi

Anda memerlukan yang berikut ini saat pemasangan:

- Kontroler W-6000 PowerConnect Dell
- Perangkat keras dudukan rak Kontroler W-6000 PowerConnect Dell (disertakan)
- Obeng Phillips atau obeng kembang
- Rak peralatan 19-inci, atau yang setara
- Ruang rak 3U dengan jarak bebas 10 cm (4 inci) di kiri, kanan, depan, dan belakang rak
- Orang lain yang membantu menempatkan Kontroler W-6000.
- Satu kabel listrik untuk setiap catu daya, berkemampuan minimum 10 A dengan konektor IEC320
- Catu daya dan listrik yang cukup (lihat “[Manajemen Daya](#)” di [halaman 25](#))
- Udara dingin non-kondensasi 0 hingga 40 °C (32 hingga 104 °F): mungkin perlu pengondisian udara
- Terminal konsol dengan port serial DB-9 atau RJ-45
- Kabel serial RS-232 dengan konektor laki-laki RJ-45
- Adaptor serial (disertakan) jika terhubung ke konsol dengan DB-9

Tindakan Pencegahan

HATI-HATI: Tegangan berbahaya yang melebihi 240VAC selalu ada saat Modul Catu Daya dihubungkan ke stopkontak listrik. Lepas cincin, perhiasan, serta bahan penghantar lainnya sebelum menangani produk ini.

Jangan pernah memasukkan benda asing ke sasis, catu daya, atau komponen lainnya, sekalipun saat catu daya dimatikan, dicabut kabelnya, atau dilepas.

Daya utama akan terputus sepenuhnya dari Kontroler W-6000 dengan mencabut kabel listrik semua catu daya yang terpasang dari stopkontak. Demi keselamatan, pastikan stopkontak dan steker listrik mudah dijangkau oleh operator.

Jangan menangani kabel listrik yang telanjang. Ini termasuk kabel jaringan.

Untuk meminimumkan bahaya listrik, jauhkan air dan fluida lain dari produk.

Ikuti standar pentanahan dalam semua fase pemasangan dan operasi produk. Jangan sampai sasis, port jaringan, catu daya, atau braketudukan Kontroler W-6000 bersentuhan dengan perangkat, kabel, objek, atau orang yang terhubung ke pentanahan-listrik yang lain. Selain itu, jangan pernah menghubungkan perangkat ke sumber pentanahan eksternal Storm.

Pemasangan atau pelepasan sasis atau modul lainnya harus dilakukan di lingkungan yang bebas dari listrik statik. Sangat dianjurkan menggunakan alas atau gelang/sabuk antistatik secara benar.

Modul harus disimpan dalam kemasan antistatik saat tidak terpasang di sasis.

Jangan mengirim/menyimpan produk ini di dekat medan elektromagnetik, elektrostatik, magnetik, atau radioaktif yang kuat.

Jangan membongkar sasis atau modul lainnya. Modul tersebut tidak memiliki komponen yang dapat diservis pengguna. Apabila perlu servis atau perbaikan, baca "[Menghubungi Dukungan](#)" di halaman 6.

Persyaratan

Konfigurasi Minimum

Kontroler W-6000 PowerConnect Dell harus menyertakan komponen dasar berikut:

- Satu sasis Kontroler W-6000
- Satu wadah kipas
- Satu Modul Kontroler W-6000M3 di Slot 0 (dibeli terpisah)
- Sekurangnya dua catu daya 400W

CATATAN: Jumlah catu daya yang diperlukan tergantung pada jumlah Modul Kontroler W-6000M3 yang terpasang di sasis (lihat "[Manajemen Daya](#)" di halaman 25).

Kontroler W-6000 dikirimkan bersama semua catu daya yang diperlukan, dan dengan modul wadah kipas terpasang. Pasang sasis sebagaimana diuraikan dalam bab ini, kemudian baca bab-bab selanjutnya dalam manual ini mengenai cara memasang setiap modul lainnya.

Kit Dudukan Rak

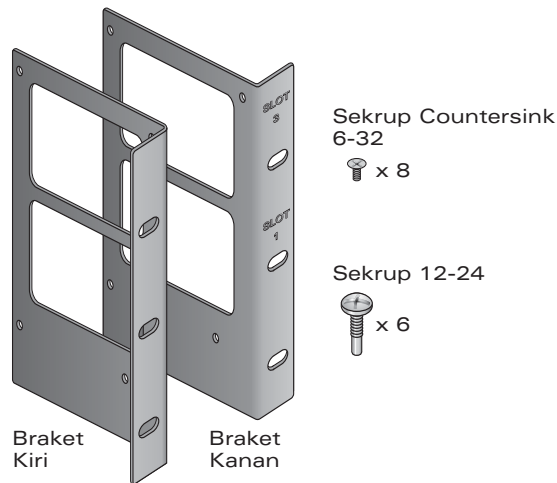
Dengan kit dudukan rak yang disediakan, Kontroler W-6000 dapat dipasang di rak peralatan jaringan telekom 19-inci. Kit dudukan rak terdiri atas komponen berikut:

- Sekrup Kepala Phillips 6-32 x 1/4" (6x, disediakan)
- Sekrup Kepala Phillips 12-24 x 5/8" (4x, disediakan)

Selain itu, Kontroler W-6000 dapat dipasang di rak server 19-inci. Pemasangan di rak server memerlukan beberapa item berikut yang juga disertakan:

- Sekrup Kepala Phillips 6-32 x 1/4" (6x, disediakan)
- Sekrup Kepala Phillips M6 x 20mm (4x, disediakan)
- Mur "Cage" M6 (4x, disediakan) atau Klip "Cage" M6 (4x, disediakan)

Gambar 2 Perangkat Keras Dudukan Rak (Terlihat Kit Telekom)



CATATAN: Enam sekrup 12-24 digunakan untuk memasang sasis ke rak. Beberapa rak perlu sekrup lain yang tidak disertakan. Pastikan Anda memiliki pengunci atau sekrup yang tepat bagi sistem rak tersebut sebelum mulai memasang sasis.

Memilih Lokasi

Kontroler W-6000, seperti perangkat komputasi dan jaringan lain, memerlukan lingkungan yang “ramah elektronika”.

- Daya yang andal

Pastikan stopkontak listrik Anda cocok dengan catu daya Kontroler W-6000 (HW-PSU-400), yang berkemampuan 400 W total dan memiliki pengatur kisaran otomatis untuk tegangan 85 sampai 264 VAC, pada frekuensi 50 hingga 60 Hz.

Kabel listrik harus berkemampuan 10 A dan mematuhi standar pentanahan listrik di negara tempat produk ini dioperasikan.

Penggunaan pengatur aliran daya atau UPS dapat mengurangi atau meringankan masalah yang disebabkan fluktuasi listrik. Pastikan bahwa keluaran semua alat pembentuk daya kompatibel dengan catu daya Kontroler W-6000 berdasarkan informasi yang diberikan di atas.

- Ventilasi dingin, non-kondensasi

Agar beroperasi dengan baik, Kontroler W-6000 memerlukan lingkungan dengan suhu udara-sekitar antara 0 hingga 40 °C (32 hingga 104 °F). Kelembapan harus dijaga pada tingkat non-kondensasi antara 5 hingga 95%.

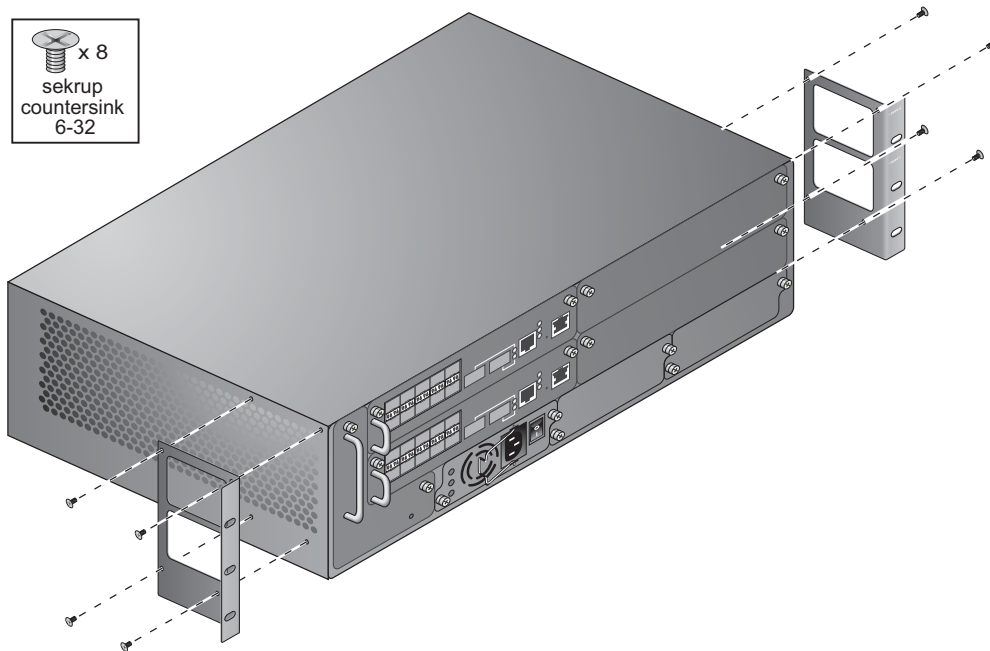
Apabila banyak perangkat listrik yang bekerja di tempat yang sama, mungkin perlu peralatan pengondisian atau sirkulasi udara.

- Ruang yang cukup
Agar udara dapat bersirkulasi dengan baik, beri jarak sekurangnya 10 cm (4 inci) untuk ventilasi di kiri, kanan, depan, dan belakang sasis.
- Interferensi elektromagnetik terbatas
Untuk operasi terbaik, jaga jarak Kontroler W-6000 dan semua kabel sekurangnya 0,7 meter (2 kaki) dari lampu fluoresens, dan 2 meter (6 kaki) dari mesin fotokopi, pemancar radio, generator listrik, serta sumber interferensi elektromagnetik kuat lainnya.

Memasang Sasis di Rak

1. Pastikan bahwa lingkungan rak Anda memenuhi persyaratan (lihat “Memilih Lokasi” di halaman 11).
2. Pasang braketudukan rak ke sasis seperti tergambar di Gambar 3 di halaman 12.

Gambar 3 Memasang Braket Dudukan Rak



Braket yang ditandai dengan nomor slot 1 dan 3 adalah untuk bagian kanan sasis Kontroler W-6000. Posisikan kedua braket sehingga flensa sempitnya menghadap ke depan. Apabila dipasang dengan benar, lubang besar segi empat di braket akan terletak di ventilasi samping sehingga udara bisa mengalir bebas saat beroperasi.

Gunakan obeng Phillips atau kembang untuk memasang setiap braket dengan empat sekrup countersink 6-32 (disertakan).

3. Pasang Kontroler W-6000 ke rak.



HATI-HATI: Agar tidak terjadi kecelakaan personel atau kerusakan peralatan, minta bantuan untuk mengangkat dan menempatkan Kontroler W-6000. Di samping itu, jangan memasang Kontroler W-6000 dengan cara apa pun yang dapat menimbulkan ketidakstabilan atau pembebanan yang tidak merata.



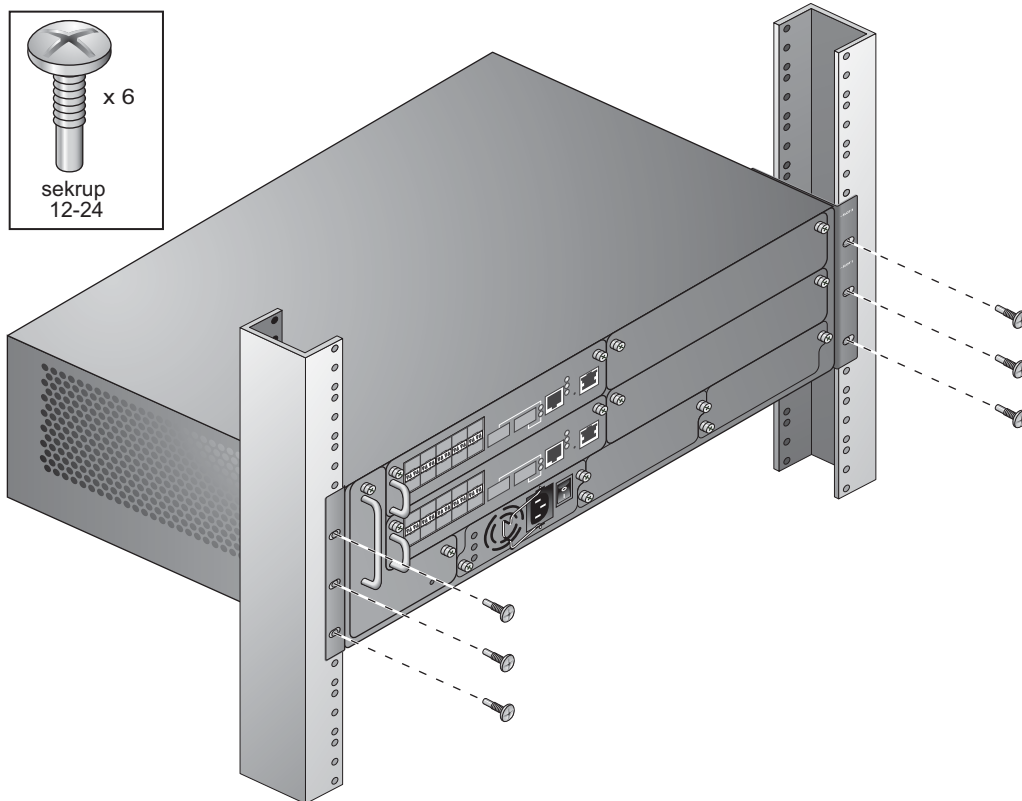
CATATAN: Agar beroperasi dengan baik, Kontroler W-6000 memerlukan suhu udara sekitar antara 0 hingga 40 °C (32 hingga 104 °F). Pastikan bahwa lingkungan rak sesuai persyaratan.

Jika Anda memasang perangkat ini di rak server, pasang mur/klip “cage” terlebih dahulu. Pasang mur/klip “cage” dengan melakukan langkah berikut:

- Mulailah dengan memasukkan lidah bawah mur “cage” di atas lubang segi empat di bagian belakang rel.
- Masukkan ujung kecil alat pemasangan mur “cage” melalui lubang di rel (dari depan), dan kaitkan alat di lidah atas mur “cage” itu.
- Dorong mur “cage” masuk, ke arah rel, sambil memutar alat naik dan menarik alat kembali ke arah Anda sampai lidah atas mur “cage” terpasang pada tempatnya.
- Lanjutkan memasang Kontroler W-6000 seperti biasa.

Letakkan sasis di rak peralatan lalu paskan lubang pemasangan braket dengan lubang di rangka rak.

Gambar 4 Memasang Kontroler W-6000



Gunakan obeng Phillips atau kembang untuk mengencangkan sasis ke rak dengan tiga sekrup 12-24 (untuk rak telekom) atau tiga M6 x 20mm (untuk rak server) untuk setiap braket dudukan.



CATATAN: Beberapa rak perlu sekrup lain yang tidak disertakan. Pastikan Anda menggunakan pengunci atau sekrup yang tepat bagi sistem rak Anda.

Menambahkan Modul Kontroler W-6000M3

Jika Anda menerima modul terpisah dari sasis, atau ingin menambahkan modul baru ke sistem, baca bab selanjutnya dalam manual ini mengenai instruksi khusus pemasangan setiap modul.



CATATAN: Dengan menambahkan modul, Anda meningkatkan beban daya total. Tergantung modul yang dipasang, Anda mungkin perlu menambahkan catu daya ke sasis dan/atau menambah kapasitas sistem listrik di tempat itu. Untuk perinciannya, lihat [“Manajemen Daya” di halaman 25](#).

Menyambungkan Daya



HATI-HATI: Prosedur ini harus dilakukan oleh teknisi terlatih.

1. Pastikan Anda mengerti prosedur ini beserta semua tindakan pencegahannya.
Sebelum mulai, baca seluruh prosedur. Pastikan Anda memahami semua tindakan pencegahan setiap langkah ini, serta yang ada di halaman 10.
2. Pastikan catu daya terpasang dapat memenuhi beban dayanya.
Jumlah catu daya yang diperlukan Kontroler W-6000 tergantung pada jumlah Modul Kontroler W-6000M3 yang terpasang. Lihat “[Manajemen Daya](#)” di [halaman 25](#) untuk perinciannya.
3. Pastikan sistem listrik di tempat itu dapat memenuhi beban daya Kontroler W-6000.
 - Setiap catu daya Kontroler W-6000 (HW-PSU-400) berkemampuan 400 W total dan memiliki pengatur kisaran otomatis untuk tegangan 85 sampai 264 VAC, pada frekuensi 50 hingga 60 Hz.Tergantung pada beban daya total, Anda mungkin perlu menambah kapasitas sistem listrik di tempat itu. Lihat “[Manajemen Daya](#)” di [halaman 25](#) untuk perinciannya.



CATATAN: Penggunaan pengatur aliran daya atau UPS dapat mengurangi atau meringankan masalah yang disebabkan fluktuasi listrik. Pastikan bahwa keluaran semua alat pembentuk daya kompatibel dengan catu daya Kontroler W-6000 berdasarkan informasi yang diberikan di atas.

4. Pastikan sakelar listrik di catu daya berada pada posisi Mati (●).



HATI-HATI: Jangan pernah memasang kabel listrik ke catu daya saat sakelarnya berada pada posisi Hidup (I). Pastikan sakelar listrik pada posisi Mati (●) terlebih dahulu.

5. Pasang kabel listrik ke catu daya.
Tancapkan steker listrik yang sesuai ke stopkontak daya masuk. Stopkontak sesuai dengan kabel listrik yang menggunakan steker IEC320 standar.



HATI-HATI: Demi keselamatan dan kinerja yang benar, kabel listrik harus berkemampuan 10 A dan mematuhi standar pentanahan listrik di negara tempat produk ini dioperasikan.



CATATAN: Catu daya 400 W (HW-PSU-400) dilengkapi dengan klip untuk menahan steker kabel listrik. Saat kabel listrik terpasang, klip dapat digunakan untuk menahan kabel listrik dan mencegah kabel tersebut tercabut tanpa sengaja (lihat [Gambar 8 di halaman 26](#)).

6. Pasang kabel listrik ke stopkontak listrik yang tepat.



HATI-HATI: Demi keselamatan, pastikan stopkontak dan steker listrik mudah dijangkau oleh operator dan dapat dilepaskan dengan mudah jika perlu.

Ulangi Langkah 4, 5, dan 6 di atas untuk setiap catu daya yang dipasang.
Setelah daya terpasang, Anda dapat melakukan uji daya hidup (lihat halaman 15).

Setelah Kontroler W-6000 terpasang, jalankan uji menghidupkan berikut ini:

1. Hidupkan semua catu daya terpasang dengan cepat.

Untuk setiap catu daya, posisikan sakelar pada posisi Hidup (I).



CATATAN: Untuk menghindari kelebihan beban catu daya pertama yang dihidupkan, semua catu daya yang diperlukan harus dihidupkan secara serentak (dalam waktu sekitar tiga detik).

2. Periksa bahwa indikator daya dalam keadaan benar.

Segera setelah dihidupkan, amati hal-hal berikut:

- Semua LED catu daya AC OK dan DC OK menyala hijau terus.
- LED Status Kipas wadah kipas berwarna hijau dan Anda merasakan embusan angin dari lubang angin sasis di tiap posisi ketiga kipas.

3. Periksa bahwa indikator operasi dalam keadaan benar.

Setelah sistem berhasil melakukan boot, amati hal-hal berikut::

- LED catu daya AC OK dan DC OK masih menyala hijau terus.
- LED Status Kipas wadah kipas masih menyala hijau terus.



CATATAN: Untuk informasi selengkapnya tentang keterangan LED, rujuk bab yang membahas modul tersebut.

4. Setelah sistem melewati uji dihidupkan perdana:

- Hubungkan kabel jaringan yang sesuai.

5. Sekarang Anda siap melakukan setup perdana seperti yang diuraikan dalam *Panduan Mulai Cepat Aruba* (yang disertakan dalam Kit Aksesori) untuk perangkat lunak yang dimuat di kontroler.

Wadah Kipas Kontroler W-6000 PowerConnect Dell (HW-FT) menyediakan sirkulasi udara untuk mendinginkan modul W-6000M3 dalam sasis Kontroler W-6000 PowerConnect Dell dan diperlukan untuk operasi normalnya. Suhu operasi normal untuk sasis Kontroler W-6000 adalah antara 0 hingga 40 °C (32 hingga 104 °F). Jika suhu ini terlampaui, W-6000 akan memberikan peringatan melalui perangkat lunak untuk memberitahukan perubahan tersebut kepada pengguna. Tabel berikut menjabarkan jenis alarm serta ambangnya:

Tabel 3 *Ambang Suhu*

Tingkat Alarm	Ambang
Minor	40 °C
Mayor	50 °C
Kritis	60 °C

Bab ini mendeskripsikan fitur umum serta karakteristik fisik wadah kipas, dan menyediakan petunjuk untuk mengganti modul tersebut jika perlu.

Fitur

Redundansi Bawaan

Ada tiga kipas di dalam wadah kipas. Modul itu dirancang agar mampu mendinginkan, sekalipun satu kipas tidak berfungsi. Dua kipas yang masih beroperasi dapat memberikan aliran udara yang cukup untuk mendinginkan sampai wadah kipas dapat diganti.

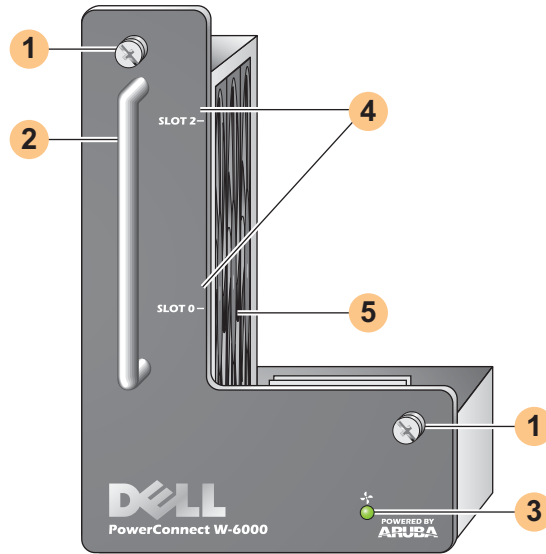
Penggantian Saat Alat Hidup

Penggantian saat alat hidup harus dilakukan oleh teknisi terlatih. Dengan penggantian saat alat hidup, Anda dapat mengganti wadah kipas tanpa perlu mematikan sistem. Saat penggantian dilaksanakan, sasis akan terus berfungsi tanpa kipas, sekalipun prosedur itu harus selesai dalam satu menit agar dapat meneruskan pendinginan yang cukup.

Deskripsi Fisik

Slot wadah kipas terletak di samping kiri sasis Kontroler W-6000 dan memanjang dari depan sasis hingga ke belakang.

Gambar 5 Wadah Kipas Seri Kontroler W-6000 Dell



- 1 Sekrup Pengencang Modul: Sekrup-menempel digunakan untuk mengencangkan modul ke slot wadah kipas sasis.
- 2 Gagang Modul: Gagang ini digunakan untuk melepas atau memasang modul ke sasis.



HATI-HATI: Jangan menggunakan gagang wadah kipas untuk mengangkat atau memindahkan Kontroler W-6000. Dapat terjadi kerusakan serius.

- 3 LED Status Kipas: Selama operasi, LED Status Kipas memberikan informasi berikut:

Tabel 4 Keterangan LED Wadah Kipas

Status	Deskripsi
Mati	Wadah kipas tidak beroperasi.
Hijau	Wadah kipas mendapat daya dan ketiga kipas beroperasi dengan benar.
Kuning	Satu kipas tidak berfungsi, tetapi dua kipas lainnya dapat menyediakan pendinginan yang cukup sampai wadah kipas diganti.
Merah	Dua kipas atau lebih tidak berfungsi. Segera ganti wadah kipas.



CATATAN: Di samping LED, suhu sasis keseluruhan dan status wadah kipas dapat dilihat menggunakan CLI.

- 4 Label Slot: Saat wadah kipas dipasang di Kontroler W-6000, label ini menamai slot modul persis di kanan wadah kipas (lihat [Gambar 1 di halaman 7](#)).
- 5 Kipas (samping): Tiga kipas terpisah menyediakan redundansi pendinginan kartu Kontroler W-6000.

Mengganti Wadah Kipas



HATI-HATI: Banyak perbaikan yang hanya boleh dilakukan oleh teknisi servis bersertifikasi. Anda hanya boleh melakukan pemecahan masalah dan perbaikan sederhana yang diizinkan dalam dokumentasi produk, atau yang dipandu oleh layanan online atau telepon, serta tim dukungan. Kerusakan akibat servis yang tidak diizinkan Dell tidak termasuk dalam jaminan. Baca dan ikuti petunjuk keselamatan yang menyertai produk.

Jika mengganti wadah kipas saat alat hidup, ingatlah bahwa ada bagian prosedur itu yang harus dilakukan dalam jangka waktu tertentu. Untuk memastikan kesiapan, baca semua langkah prosedur sebelum melakukan penggantian.

Selain itu, pastikan Anda memahami semua tindakan pencegahan setiap langkah ini, serta yang ada di halaman 10.

Menyiapkan Wadah Kipas Baru

1. Keluarkan wadah kipas baru dari kemasan.
2. Periksa wadah kipas baru untuk memastikan dalam kondisi bagus.
3. Letakkan wadah kipas baru di tempat yang aman dan mudah diakses di dekat sasis, siap untuk dimasukkan.
4. Siapkan obeng Phillips #2 atau obeng kembang.

Melepas Wadah Kipas Lama

1. Lepas sekrup pengencang wadah kipas.

Di bagian depan Kontroler W-6000, gunakan obeng untuk melepas kedua sekrup pengencang di pelat-depan wadah kipas yang terpasang. Sekrup tersebut dilepas dengan arah berlawanan jarum jam, tetapi tidak akan benar-benar lepas karena sekrup tersebut menempel.

2. Lepaskan wadah kipas.

Pegang gagang modul dengan kuat, lalu tarik wadah kipas ke depan dari slotnya. Mungkin terasa ada tahanan saat melepaskan modul dari sambungannya ke pelat-belakang sasis, tetapi jangan menggunakan tenaga berlebihan.

Saat modul terlepas sepenuhnya dari pelat-belakang, aliran listrik ke kipas yang berfungsi akan terputus dan perlahan akan berhenti berputar.

HATI-HATI: Kipas akan terus berputar untuk sementara, walaupun sudah tidak mendapat daya. Tunggu sampai kipas berhenti berputar sebelum melepas wadah kipas.



Selain itu, apabila mengganti saat alat hidup, setelah kipas berhenti berputar, Kontroler W-6000 akan terus beroperasi, sehingga panas akan terkumpul di komponen yang beroperasi. Dari titik tersebut, pemasangan wadah kipas baru harus dirampungkan dalam waktu terbatas (satu menit).

Batas satu menit harus diikuti karena Kontroler W-6000 tidak memiliki fungsi mati termal. Jika Anda tidak dapat mengganti wadah kipas dalam satu menit, matikan kontroler.

3. Begitu terlepas, wadah kipas seharusnya dapat meluncur keluar dari sasis dengan mudah. Keluarkan wadah kipas dan letakkan dengan aman di samping.

Memasang Wadah Kipas Baru

1. Ambil wadah kipas baru dengan memegang gagang di panel depannya.
2. Masukkan wadah kipas ke dalam slot wadah kipas sasis dengan hati-hati.
Paskan bagian belakang wadah kipas dengan rel pandu di slot wadah kipas sasis, lalu dorong perlahan ke arah pelat belakang. Biasanya, modul masuk dengan mudah.
3. Pasangkan wadah kipas.
Saat wadah kipas sampai di belakang sasis, mungkin terasa sedikit hambatan. Tekan dengan kuat agar konektor di belakang modul terpasang ke pelat belakang, tetapi jangan menggunakan tenaga berlebihan.
Apabila mengganti wadah kipas saat alat hidup dan konektor terpasang dengan benar, kipas akan menerima aliran listrik dan mulai berputar.
4. Periksa kipas untuk memastikan semuanya berfungsi.
Begitu daya dialirkan ke wadah kipas, baik dengan memasang modul ke bidang belakang saat penggantian saat alat hidup atau menghidupkan daya sistem setelah penggantian saat alat mati, LED Status Kipas seharusnya berwarna hijau dan Anda merasakan embusan angin dari lubang angin sasis di setiap posisi kipas.
Jika semua kipas berfungsi, berakhirlah bagian prosedur penggantian saat alat hidup yang kritis terhadap waktu.
Jika salah *satu* kipas dalam wadah kipas yang diganti saat alat hidup tidak berfungsi (LED Status Kipas kuning), tunggu sekurangnya tiga menit agar kipas yang tersisa mendinginkan sasis sebelum melakukan penggantian saat alat hidup lagi.



HATI-HATI: Jika dua atau lebih kipas dalam wadah kipas yang diganti saat alat hidup tidak berfungsi (LED Status Kipas merah), matikan Kontroler W-6000, ganti wadah kipas, lalu biarkan Kontroler W-6000 mendingin sekurangnya lima menit sebelum dihidupkan lagi.

5. Kencangkan wadah kipas.
Gunakan obeng untuk mendorong dan mengencangkan kedua sekrup di bagian depan wadah kipas yang baru dipasang. Putar sekrup searah jarum jam sampai terasa agak berat, tetapi jangan terlalu kencang.

W-6000M3 PowerConnect Dell merupakan modul kontroler yang dapat diganti saat alat hidup untuk digunakan di sistem sasis Kontroler W-6000. Sasis Kontroler W-6000 mampu menampung hingga empat modul, masing-masing dapat dikonfigurasi sebagai induk atau lokal. Untuk perincian lengkap mengenai W-6000M3, termasuk petunjuk pemasangan serta kompatibilitas dan opsi konfigurasi, rujuk *Panduan Instalasi W-6000M3 PowerConnect Dell*. Untuk perincian manajemen daya, rujuk “[Manajemen Daya](#)” di [halaman 25](#).

Setiap modul kontroler W-6000M3 mampu mendukung hingga 512 Titik Akses yang terhubung ke kampus dengan penggunaan lisensi upgrade Titik Akses Dell. Hubungi wiraniaga Dell untuk mendapatkan daftar lengkap lisensi perangkat lunak yang tersedia.

Untuk informasi mengenai pemasangan dan operasi modul kontroler W-6000M3 PowerConnect Dell, lihat *Panduan Instalasi Modul Kontroler W-6000M3 PowerConnect Dell* yang disertakan dalam setiap modul.

Catu Daya Kontroler W-6000 PowerConnect Dell mengubah daya listrik untuk digunakan oleh Kontroler W-6000. Sasis W-6000 memiliki tiga slot yang masing-masing dapat diisi catu daya guna mendukung pembagian beban dan toleransi kegagalan.

Bab ini mendeskripsikan fitur umum serta karakteristik fisik catu daya serta informasi manajemen konsumsi daya yang penting. Bagian terakhir bab ini membahas langkah-langkah yang diperlukan untuk memasang dan melepas catu daya.

Fitur

Kemampuan

Catu daya W-6000 Dell (HW-PSU-400) berkemampuan 400 W keluaran total dan memiliki pengatur kisaran otomatis untuk tegangan 85 sampai 264 VAC, pada frekuensi 50 hingga 60 Hz. Maksimum tiga catu daya 400 W dapat dipasang di Kontroler W-6000.

Pembagian Beban

Pembagian beban terjadi apabila lebih dari satu catu daya dengan kemampuan yang sama dipasang di Kontroler W-6000 dan dihidupkan. Pembagian beban membagi beban daya total W-6000 ke semua modul catu daya yang terpasang. Karena catu daya bekerja bersama-sama, kapasitas daya efektif sasis meningkat dengan setiap penambahan catu daya.

Redundansi

Apabila terpasang beberapa catu daya, jika ada yang tidak berfungsi (rusak, dimatikan, atau dilepas) catu daya lainnya akan berusaha menyediakan daya penuh bagi Kontroler W-6000. Jika beban daya total tidak melebihi kemampuan keluaran gabungan catu daya yang masih berfungsi, W-6000 akan terus beroperasi. Untuk informasi selengkapnya tentang konfigurasi catu daya, "[Manajemen Daya](#)" di [halaman 25](#).

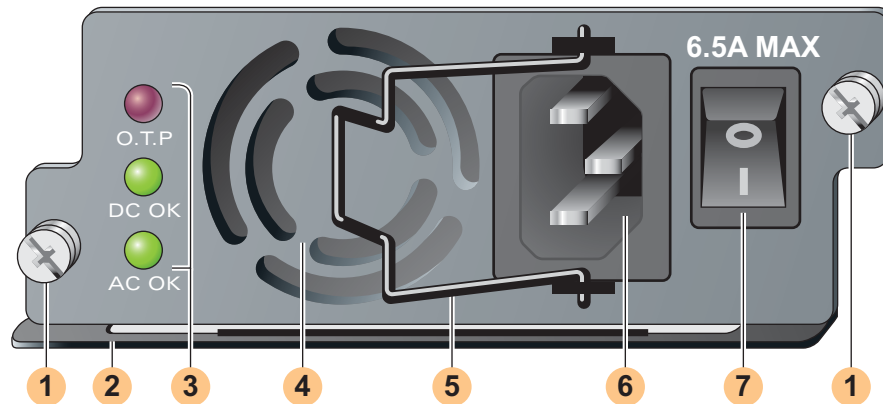
Penggantian Saat Alat Hidup

Penggantian saat alat hidup harus dilakukan oleh teknisi terlatih. Dengan penggantian saat alat hidup, Anda dapat mengganti catu daya yang tidak berfungsi sementara yang lain memberikan daya penuh. Dengan begini, tidak perlu mematikan Kontroler W-6000 saat penggantian dilakukan.

Agar dapat dilakukan penggantian saat alat hidup, beban daya total sasis tidak boleh melebihi kemampuan keluaran gabungan catu daya yang masih berfungsi setelah catu daya target dilepas.

Deskripsi Fisik

Gambar 6 *Catu Daya 400W*



- 1 Sekrup Pengencang Modul: Dua sekrup-menempel pengencang ini menahan catu daya di tempatnya di sasis.
- 2 Gagang Modul: Gagang ini digunakan untuk melepas atau memasang modul ke sasis W-6000.



HATI-HATI: Jangan menggunakan gagang catu daya untuk mengangkat atau memindahkan Kontroler W-6000. Dapat terjadi kerusakan serius.

- 3 LED Indikator

Tabel 5 *LED Catu Daya 400W*

Nama LED	Letak	Status	Deskripsi
O.T.P. (Perlindungan Suhu Berlebih)	Atas	Mati	Suhu catu daya baik-baik saja.
		Merah	Kipas catu daya tidak berfungsi atau suhu terlalu tinggi.
DC OK	Tengah	Hijau	Keluaran daya DC baik-baik saja.
		Merah	Keluaran daya DC di luar batas toleransi.
AC OK	Bawah	Hijau	Masukan daya AC baik-baik saja.
		Merah	Masukan daya AC di luar batas toleransi.



CATATAN: Di samping LED, status catu daya dapat dilihat menggunakan CLI.

- 4 Ventilasi Udara Masuk: Ventilasi udara masuk ini membantu kipas mendinginkan catu daya saat beroperasi. Agar tidak terhalang, jauhkan semua material sekitarnya 10 cm (4 inci) dari ventilasi.
- 5 Klip Penahan Kabel Listrik: Klip ini dipasang di steker listrik setelah ditancapkan ke stopkontak. Fungsinya agar kabel listrik tidak tercabut tanpa sengaja.



HATI-HATI: Jangan menggunakan klip penahan kabel listrik untuk melepaskan modul catu daya, atau mengangkat atau memindahkan W-6000.

- 6 Stopkontak Input Daya: Stopkontak listrik ini menerima kabel listrik dengan konektor IEC320 standar. Demi keselamatan dan kinerja yang benar, kabel harus berkemampuan 10 A dan mematuhi standar pentanahan listrik di negara tempat produk ini dipakai.
- 7 Sakelar Listrik: Sakelar listrik memiliki dua keadaan : Mati (●) dan Hidup (|).

Manajemen Daya

Kontroler W-6000 mendukung hingga tiga catu daya 400 W. Jika menggunakan satu hingga dua catu daya untuk daya primer 400 hingga 800 W, penggunaan catu daya redundan 400 W masih dimungkinkan.

Untuk perencanaan kapasitas maksimum, jumlahkan tarikan daya maksimum yang diperlukan semua modul dalam konfigurasi sasis guna menentukan jumlah catu daya yang diperlukan.

Tabel Konfigurasi Catu Daya dan Modul W-6000M3

Tabel berikut menampilkan konfigurasi modul W-6000M3, serta penggunaan daya dan konfigurasi catu daya resultannya.

Tabel 6 Konfigurasi Modul dan Catu Daya

Modul	Jumlah Unit			
Modul Kontroler W-6000M3 (masing-masing menyedot daya maks 130 W)	1	2	3	4
Daya Total yang Digunakan (W)	130	260	390	520
Jumlah catu daya yang perlu	1	1	1	2
Jumlah catu daya redundan	1 atau 2	1 atau 2	1 atau 2	1

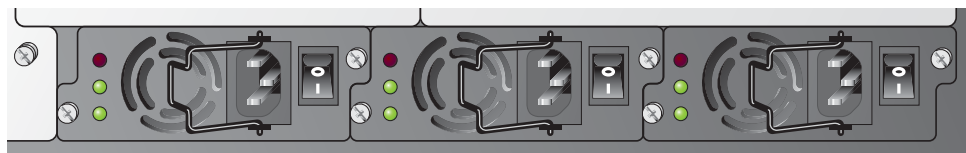
Memasang Catu Daya



HATI-HATI: Banyak perbaikan yang hanya boleh dilakukan oleh teknisi servis bersertifikasi. Anda hanya boleh melakukan pemecahan masalah dan perbaikan sederhana yang diizinkan dalam dokumentasi produk, atau yang dipandu oleh layanan online atau telepon, serta tim dukungan. Kerusakan akibat servis yang tidak diizinkan Dell tidak termasuk dalam jaminan. Baca dan ikuti petunjuk keselamatan yang menyertai produk.

1. Pastikan Anda mengerti prosedur ini beserta semua tindakan pencegahannya.
Sebelum mulai, baca seluruh prosedur. Pastikan Anda memahami semua tindakan pencegahan setiap langkah ini, serta yang ada di halaman 10.
2. Pilih slot catu daya untuk catu daya tersebut.
 - Catu daya 400 W (HW-PSU-400) dapat dipasang di slot catu daya mana saja, dan setiap slot catu daya dapat dibiarkan kosong. Jadi, tidak ada urutan pemakaian slot yang diwajibkan bagi catu daya.

Gambar 7 Catu Daya 400 W Terpasang



Jika hendak mengganti catu daya yang telah terpasang, terlebih dahulu baca [“Melepas Catu Daya”](#) di halaman 27.

Jika Anda memasang catu daya di slot kosong, Anda mungkin perlu melepas pelat penutupnya terlebih dahulu. Untuk melakukannya, gunakan obeng Phillips #2 atau obeng kembang. Putar sekrup pengencang di pelat-depan melawan arah jarum jam sampai longgar (tidak bisa benar-benar lepas). Lepas pelat penutup lalu simpan di tempat aman.

3. Pastikan sakelar listrik di catu daya yang akan dipasang pada posisi Mati (●).



HATI-HATI: Jangan pernah memasang atau melepas catu daya saat sakelarnya berada pada posisi Hidup (I) atau saat kabel listriknya ditancapkan ke modul catu daya. Pastikan terlebih dahulu bahwa sakelar pada posisi Mati (●) dan kabel listrik dicabut dari modul Catu Daya W-6000.

4. Pasang catu daya ke sasis.

Pegang catu daya di gagang pada bagian bawah catu daya, LED berada di kiri dan sakelar daya di kanan. Jangan menggunakan klip penahan steker kabel listrik untuk memasang atau melepaskan catu daya. Paskan bagian belakang modul dengan rel panduan di slot catu daya sasis, lalu dorong perlahan modul ke arah pelat belakang. Jangan dipaksa; biasanya modul masuk dengan mudah. Mungkin terasa ada tahanan saat catu daya bertemu dengan konektor di bagian belakang sasis. Tekan dengan kuat agar tersambung ke konektor, tetapi jangan menggunakan tenaga berlebihan.

5. Kencangkan catu daya.

Gunakan obeng untuk mendorong sekrup-menempel pengencang modul lalu putar searah jarum jam sampai terasa tahanannya. Jangan terlalu kencang.

6. Pasang kabel listrik ke catu daya.



CATATAN: Pindahkan klip penahan kabel ke kiri sebelum mencolokkan kabel listrik.

Tancapkan steker listrik yang sesuai ke stopkontak daya masuk. Stopkontak sesuai dengan kabel listrik yang menggunakan steker IEC320 standar.

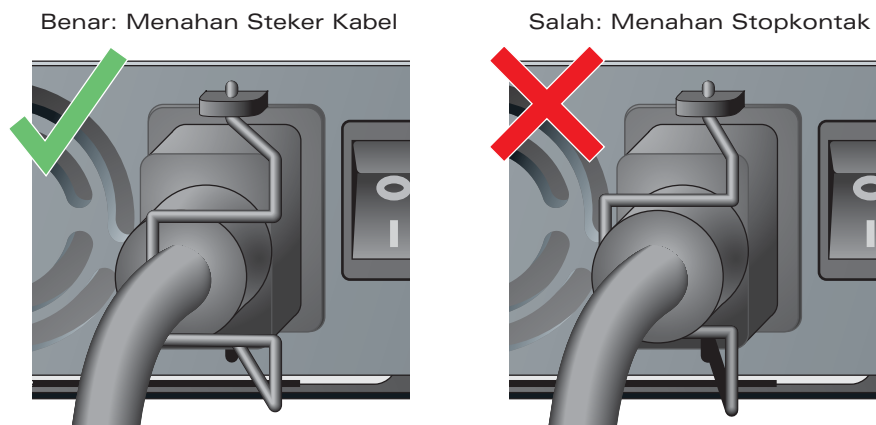


HATI-HATI: Demi keselamatan dan kinerja yang benar, kabel listrik harus berkemampuan 10 A dan mematuhi standar pentanahan listrik di negara tempat produk ini dioperasikan.

7. Kunci steker kabel listrik.

Setelah kabel listrik terpasang, putar klip penahan kabel ke kanan seperti terlihat pada [Gambar 8 di halaman 26](#). Ini akan menahan steker di tempatnya dan membantu mencegahnya tercabut tanpa sengaja.

Gambar 8 Penggunaan Klip Penahan Kabel Listrik



8. Pasang kabel listrik ke stopkontak listrik yang tepat.

Pastikan sistem listrik di tempat itu dapat memenuhi beban daya W-6000.

- Setiap catu daya (HW-PSU-400) berkemampuan 400 W total dan memiliki pengatur kisaran otomatis untuk tegangan 85 sampai 264 VAC, pada frekuensi 50 hingga 60 Hz.

Tergantung pada beban daya total W-6000, Anda mungkin perlu menambah kapasitas sistem listrik di tempat itu. Lihat [“Manajemen Daya” di halaman 25](#) untuk perinciannya.



HATI-HATI: Demi keselamatan, pastikan stopkontak dan steker listrik mudah dijangkau oleh operator dan dapat dilepaskan dengan mudah jika perlu.



CATATAN: Penggunaan pengatur aliran daya atau UPS dapat mengurangi atau meringankan masalah yang disebabkan fluktuasi listrik. Pastikan bahwa keluaran semua alat pembentuk daya kompatibel dengan catu daya Kontroler W-6000.

Melepas Catu Daya



HATI-HATI: Banyak perbaikan yang hanya boleh dilakukan oleh teknisi servis bersertifikasi. Anda hanya boleh melakukan pemecahan masalah dan perbaikan sederhana yang diizinkan dalam dokumentasi produk, atau yang dipandu oleh layanan online atau telepon, serta tim dukungan. Kerusakan akibat servis yang tidak diizinkan Dell tidak termasuk dalam jaminan. Baca dan ikuti petunjuk keselamatan yang menyertai produk.

1. Pastikan Anda mengerti prosedur ini beserta semua tindakan pencegahannya.
Sebelum mulai, baca seluruh prosedur. Pastikan Anda memahami semua tindakan pencegahan setiap langkah ini, serta yang ada di halaman 10.
2. Pastikan sakelar listrik di catu daya yang hendak dilepas berada pada posisi Mati (●).



HATI-HATI: Jangan pernah memasang atau melepas catu daya saat sakelarnya berada pada posisi Hidup (I). Pastikan sakelar listrik pada posisi Mati (●) terlebih dahulu.

3. Cabut kabel listrik catu daya yang hendak dilepas.
Jika menggunakan klip penahan kabel listrik, pertama putar ke kiri hingga lepas dari steker. Lalu lepas steker.
4. Lepas catu daya.
Gunakan obeng Phillips #2 atau obeng kembang untuk memutar sekrup-melekat pengencang catu daya melawan arah jarum jam sampai longgar (tidak bisa benar-benar lepas). Pegang gagang catu daya kuat-kuat lalu tarik dengan hati-hati dari sasis.
5. Tutupi slot yang kosong.
Demi keselamatan, di samping agar tidak mengganggu aliran udara untuk pendinginan dan mencegah debu masuk ke sasis, tutupi semua slot yang tidak terpakai dengan pelat penutup polos.

Fisik

Tabel 7 Spesifikasi Fisik

Item	Ukuran
Dimensi	Tinggi 14,9 cm (5,85 inci) Lebar 44,2 cm (17,4 inci) Panjang 31,8 cm (12,5 inci)
Berat	26,5 KG (58 lb.) maksimum 6,3 KG (13,9 lb.) sasis dan wadah kipas 4,4 KG (9,6 lb.) tiap catu daya

Lingkungan

Tabel 8 Spesifikasi Lingkungan

Item	Ukuran
Suhu	Operasi: 0 sampai 40 °C (32 sampai 104 °F) Penyimpanan: 0 sampai 50 °C (32 sampai 122 °F) Alarm minor: 40 °C Alarm mayor: 50 °C Alarm kritis: 60 °C
Kelembapan	5% sampai 95% (non-kondensasi)
Ketinggian	maksimum 3.048 m (10.000 kaki)

Operasi

Tabel 9 Spesifikasi Operasi

Item	Ukuran
Catu Daya	Model HW-PSU-400— Masukan: 85-264 VAC, 50-60 Hz Keluaran: 48 V, 8 A
Konsumsi Daya	maksimum 460W (per catu daya)
Manajemen Jaringan	Antarmuka browser web HTML
Standar	IEEE 802.1x, IEEE 802.3 10BASE-T, IEEE 802.3u 100BASE-TX, IEEE 802.3ab 1000BASE-T, IEEE 802.3z 1000BASE-SX

Kepatuhan

Interferensi Elektromagnetik

Amerika Serikat

Kelas A FCC

Peralatan ini telah diuji dan didapati mematuhi batas untuk perangkat digital Kelas A, sesuai dengan Bagian 15 dalam Peraturan FCC. Batas ini dirancang untuk memberi perlindungan yang wajar terhadap interferensi berbahaya saat peralatan dioperasikan dalam lingkungan komersial. Peralatan ini menghasilkan, menggunakan, dan dapat meradiasikan energi frekuensi radio dan, jika tidak dipasang dan digunakan sesuai dengan pedoman petunjuk, dapat menimbulkan interferensi berbahaya bagi komunikasi radio. Pengoperasian peralatan ini di area perumahan mungkin akan menyebabkan interferensi berbahaya, yang jika terjadi, pengguna wajib mengoreksi interferensi dengan biaya sendiri.

Setiap perubahan atau modifikasi yang tidak disetujui secara eksplisit oleh pihak yang bertanggung jawab atas kepatuhan dapat membatalkan kewenangan pengguna untuk mengoperasikan peralatan ini.

Produk ini mematuhi Bagian 15 Peraturan FCC. Pengoperasian harus memenuhi dua syarat berikut:

(1) perangkat ini tidak akan mengakibatkan interferensi berbahaya, dan (2) perangkat ini harus menerima semua gangguan, termasuk interferensi yang dapat menyebabkan operasi yang tidak diinginkan.

Kanada

Peranti digital ini tidak melebihi batas Kelas A untuk emisi derau radio dari alat digital seperti diatur dalam standar peralatan penyebab interferensi berjudul “Digital Apparatus,” ICES-003 dari Departemen Perhubungan.

Cet appareil numérique respecte les limites de bruits radioélectriques applicables aux appareils numériques de Classe A prescrites dans la norme sur le matériel brouilleur: “Appareils Numériques,” NMB-003 édictée par le ministère des Communications.

Jepang

VCCI - Kelas A

この装置は、情報処理装置等電波障害自主規制協議会（VCCI）の基準に基づくクラスA情報技術装置です。この装置を家庭環境で使用すると電波妨害を引き起こすことがあります。この場合には使用者が適切な対策を講ずるよう要求されることがあります。

This device complies with Part 15 of the FCC Rules. Operation is subject to the following two conditions: (1) this device may not cause harmful interference, and (2) this device must accept any interference received, including interference that may cause undesired operation.

This Class A digital apparatus complies with Canadian ICES-003.
Cet appareil numérique de la classe A est conforme à la norme NMB-003 du Canada.

Apparatet må tilkoples jordet stikkontakt.

Laite on liitettävä suojamaadoituskoskettimilla varustettuun pistorasiaan.

この装置は、クラス A 情報技術装置です。この装置を家庭環境で使用すると電波妨害を引き起こすことがあります。この場合には使用者が適切な対策を講ずるよう要求されることがあります。

VCCI-A

Eropa



PERINGATAN: Ini produk Kelas A. Dalam lingkungan perumahan, produk ini dapat menyebabkan interferensi radio yang mungkin menyebabkan pengguna perlu mengambil tindakan yang sesuai.

Produk ini mematuhi standar EN55022 Kelas A dan EN55024.

Keselamatan

Pemberitahuan tentang Baterai Litium

Produk ini berisi baterai litium yang hanya boleh diganti oleh teknisi terlatih.



HATI-HATI: Baterai litium dapat meledak jika diganti secara keliru. Teknisi terlatih harus mengganti baterai itu dengan baterai yang sama atau setara yang dianjurkan oleh pabrikan. Buang baterai bekas sesuai instruksi pabrikan.

Pemberitahuan Laser

Modul Kontroler W-6000M3 PowerConnect Dell yang digunakan pada produk ini menggunakan modul transiver yang dapat diganti di beberapa port.



HATI-HATI: Penggunaan kontrol atau penyesuaian kinerja atau prosedur selain yang disebutkan dalam pedoman ini dapat mengakibatkan keterpaparan radiasi berbahaya.

Produk ini mematuhi 21 CFR Bab 1, Subbab J, Bagian 1040.10, dan IEC 60825-1: 1993, A1: 1997, A2: 2001, IEC 60825-2: 2000.

Agar tetap patuh kepada standar keselamatan laser di atas, hanya modul Kelas 1 yang disetujui, dari vendor kami yang disetujui, yang sebaiknya dipasang di produk.

PowerConnect Dell

בקר W-6000

מדריך התקנה



זכויות יוצרים

© 2011 Aruba Networks, Inc. AirWave®, Aruba Networks®, Aruba Mobility Management System® מסחריים של Dell Inc., Aruba Networks, Inc. Dell™, הלוגו DELL™ וכן PowerConnect™ הם סימנים מסחריים של Dell Inc. כל הזכויות שמורות. המפרטים במדריך זה כפופים לשינויים ללא הודעה. נוצר בארה"ב. כל הסימנים המסחריים המופיעים במדריך זה הם קניין בעליהם בהתאמה.

מקור קוד פתוח

חלק ממוצרי Aruba כוללים קוד תוכנת מקור פתוח שפותח על-ידי צדדים שלישיים, כולל קוד תכנה כפוף ל-GNU General Public License (GPL), GNU Lesser General Public License (LGPL), או רישיון קוד פתוח אחר. את קוד המקור הפתוח שנמצא בשימוש ניתן למצוא באתר זה: http://www.arubanetworks.com/open_source

הודעה משפטית

השימוש בפלטפורמות ותוכנות המיתוג של Aruba Networks, Inc., על-יד כל האנשים הפרטיים או הארגונים, כדי לסיים התקני לקוח של ספקי VPN אחרים יוצרת הסכמה מוחלטת של חבות על-ידי אדם פרטי או ארגון אלה עבור פעולה זו ושיפוי, במלואו, של Aruba Networks, Inc. מפני פעולות חוקיות כלשהן וכולן העשויות להינקט נגדה בהתייחס להפרה של זכויות יוצרים מטעם ספקים אלה.

5	מבוא	
5.....	סקירה כללית של מדריך זה	
5.....	מסמכים קשורים	
5.....	מוסכמות לגבי טקסט	
6.....	יצירת קשר עם התמיכה	
7	סקירה כללית של המערכת	פרק 1
7.....	תכונות	
7.....	תיאור פיזי	
9	התקנת מארז	פרק 2
9.....	רשימת בדיקה לקדם התקנה	
10.....	אמצעי זהירות	
10.....	דרישות	
10.....	תצורה מינימלית	
10.....	ערכה להרכבה במעמד	
11.....	בחירת מיקום	
12.....	התקנת המארז במעמד	
13.....	הוספת מודולים של בקר W-6000M3	
14.....	חיבור החשמל	
15	אימות ההתקנה	פרק 3
17	מגש המאוורר	פרק 4
17.....	תכונות	
17.....	יתירות מוכללת	
17.....	החלפה חמה	
17.....	תיאור פיזי	
19.....	החלפת מגש המאוורר	
19.....	הכנת מגש מאוורר חדש	
19.....	הסרת מגש מאוורר ישן	
19.....	הכנסת מגש מאוורר חדש	
21	Dell PowerConnect W-6000M3	פרק 5
23	מודול ספק הכוח W-6000	פרק 6
23.....	תכונות	
23.....	דירוג	
23.....	שיתוף עומסים	
23.....	יתירות	
23.....	החלפה חמה	
24.....	תיאור פיזי	
25.....	ניהול צריכת חשמל	

25.....	טבלת תצורה של מודול וספק כוח W-6000M3
25.....	הכנסת ספק כוח
27.....	הסרת ספק כוח
29.....	מפרטים
29.....	פיזיים
29.....	סביבתיים
29.....	תפעוליים
30.....	תאימות
30.....	הפרעה אלקטרומגנטית
30.....	ארצות הברית
30.....	קנדה
30.....	יפן
31.....	אירופה
31.....	בטיחות
31.....	הודעה לגבי סוללת ליתיום
31.....	הודעה לגבי לייזר

פרק 7

המבוא כולל את המידע הבא:

- סקירה כללית על הסעיפים במדריך זה
- רשימה של מסמכים קשורים לשם קריאה נוספת
- מפתח למוסכמות הטקסט השונות שמשמשות במדריך זה
- פרטים על התמיכה והשירות של Dell

סקירה כללית של מדריך זה

מדריך זה מיועד לטכנאים מוסמכים שאחראיים להתקנת בקר Dell PowerConnect W-6000. המדריך מאורגן באופן הבא:

- המארז של בקר Dell PowerConnect W-6000
- פרקים 1, 2 ו-3 מתארים את בקר W-6000, ומספקים הוראות על הרכבת המארז, חיבור חשמל וביצוע בדיקות הפעלה ראשוניות.
- המודולים של בקר Dell PowerConnect W-6000
- פרקים 4, 5 ו-6 מתמקדים במודול ספציפי וכוללים הוראות על התקנה והחלפה של פריט אינדיבידואלי.
- נספח

מסמכים קשורים

הפריטים הבאים הם חלק מהתיעוד המלא עבור מערכת Dell:

- מדריך התקנה עבור *PowerConnect W-6000 Controller Dell* (מדריך זה)
- מדריך למשתמש עבור *Dell PowerConnect*
- מדריך התקנה עבור *Dell PowerConnect W-AP*

מוסכמות לגבי טקסט

המוסכמות הבאות משמשות במדריך זה כדי להדגיש מושגים חשובים:

טבלה 1 מוסכמות לגבי טקסט

מוסכמות לגבי טקסט	
נטוי	סגנון זה משמש להדגשת מונחים חשובים ולציין כותרים של ספרים.
פריטי מערכת	סוג זה של גופן מתאר את הדברים הבאים: <ul style="list-style-type: none"> • פלט מסך לדוגמה • הנחיות מערכת • שמות קבצים, התקני תוכנה, ופקודות מסוימות כשהן מוזכרות בטקסט

פקודות	
פקודות	בדוגמות לפקודה, גופן מודגש זה מתאר טקסט שעל המשתמש להקליד בדיוק כפי שמוצג.
<Arguments>	בדוגמאות לפקודות, טקסט נטוי בסוגריים זוויתיים מייצג פריטים שעל המשתמש להחליף במידע שמתאים למצבו הספציפי. לדוגמה: # send <text message> בדוגמה זו, המשתמש יקליד "send" עם קבלת הנחיית המערכת בדיוק כפי שמוצג, ולאחר מכן את הודעת הטקסט שברצונו לשלוח. אל תקליד את הסוגריים הזוויתיים.
[Optional]	בדוגמות לפקודות, הפריטים שבסוגריים המרובעים הם אופציונליים. אל תקליד את הסוגריים.
{ Item A Item B }	בדוגמאות לפקודות, פריטים בסוגריים מסולסלים ומופרדים על-ידי קו אנכי מייצגים אפשרויות זמינות. הזן אפשרות אחת בלבד. אל תקליד את הסוגריים או הקו האנכי.

יצירת קשר עם התמיכה

טבלה 2 פרטים ליצירת קשר עם Dell

אתרי אינטרנט	
אתר ראשי	dell.com
אתר לתמיכה	support.dell.com
אתר לתיעוד	support.dell.com/manuals

הבקר Dell PowerConnect W-6000 הוא מארז מודולרי ברמה ארגונית, שמחבר, מבקר ומשלב בצורה חכמה נקודות גישה (APs) אלחוטיות ומנטרי שידור (Air Monitors - AMs) לתוך LAN חוטי.

פרק זה מציג בפניך את ה- בקר W-6000. הוא מתאר את התכונות הכלליות של המערכת המודולרית ומדגים רכיבים פיזיים עיקריים. לאחר שתערוך היכרות עם המערכת, תוכל להתחיל בתהליך ההתקנה שבפרק הבא.

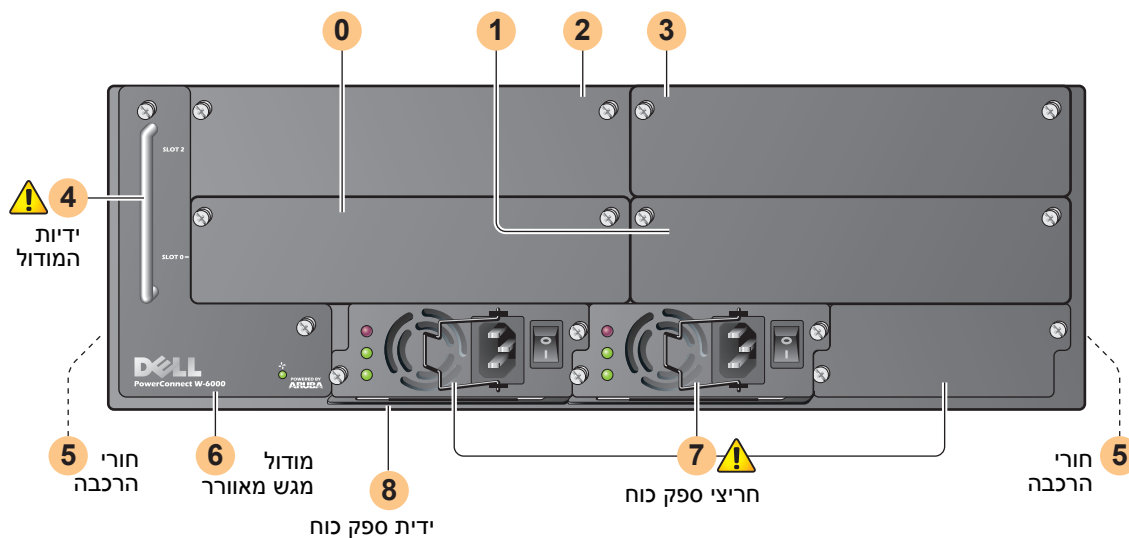
תכונות

סעיף זה מתאר את התכונות הכלליות של ה- בקר W-6000.

- מתג Ethernet של 10/100/1000 Mbps ו- 10 Gbps עם העברת מנות Layer-2/Layer-3 במהירות גבוהה.
- ביצועים מעולים של עיבוד מנות מספקים שירותים אלחוטיים עם ערך מוסף דוגמת איזון עומסים, הגבלת קצב, טיפול עצמי, כיול, אימות, ניידות, אבטחה, וכן ניטור והגדרה ריכוזיים.
- מארז 3U ניתן להרכיב במעמד סטנדרטי בגודל 19 אינץ' לטלקומוניקציה או לשרת.
- מארז מודולרי מבוסס חריצים מאפשר הרחבה של הרשת וסיבולת.
 - עד 4 מודולים של Dell PowerConnect W-6000M3
 - עד 3 ספקי כוח להחלפה חמה עם יכולת שיתוף עומסים לשם יתירות.
 - מגש מאוורר הכולל שלושה מאווררים אינדיבידואליים לשם יתירות.

תיאור פיזי

איור 1 בקר Dell PowerConnect W-6000



0 חריץ זה נדרש עבור Dell PowerConnect W-6000M3 Controller Module


1 חריץ זה הוא עבור מודול W-6000M3.

2 חריץ 2: חריץ זה הוא עבור מודול W-6000M3 נוסף.

3 חריץ 3: חריץ זה הוא עבור מודול W-6000M3 נוסף.

4 ידיות המודול: כל ידיות המודול משמשות רק כדי להסיר או להכניס מודולים אינדיבידואליים.

זהירות: אף פעם אל תשתמש בידיות כדי להרים או להעביר מארז של בקר W-6000. שימוש בידיות לשם תמיכה במארז עלול לגרום לנזק רציני הן למודול והן למארז.



5 חורים לחיבור זוויות הרכבה במעמד (באתר).

6 מודול מגש מאוורר: הבקר W-6000 מאוורר באמצעות אוויר הנשאב דרך המארז מגש המאוורר. מגש המאוורר שואב אוויר מימין לשמאל (כפי שנראה מחזית המארז) על פני המודולים המותקנים.

במהלך ההפעלה, אין לחסום את פתחי האוורור בצד השמאלי והימני של המארז על-ידי כבלים או ציוד הרכבה. כדי לקבל זרימת אוויר נאותה, השאר רווח של לפחות 10 ס"מ (4 אינץ') מצד שמאל וימין של המארז.

7 חריצי ספק כוח: במארז כולל חריצים עבור שלושה ספקי כוח לכל היותר. מספר ספקי הכוח הנדרשים עבור המערכת שלך תלוי במספר ה-W-6000M3 Controller Modules שמוותקנים, ובשאלה אם ברצונך לכלול ספקי כוח יתירים. למידע נוסף, ראה את "ניהול צריכת חשמל" עמוד 25.

לכל ספק כוח יש כבל חשמל ומתג הפעלה משלו.

זהירות: אף פעם אל תכניס או תסיר ספק כוח כאשר מתג ההפעלה נמצא במצב On או כאשר כבל החשמל מחובר. ודא תחילה שמתג ההפעלה נמצא במצב Off ושכבל החשמל מנותק.



זהירות: הקפד לבצע פעולות מתאימות של פריקה אלקטרוסטטית (ESD) בעת טיפול ב-Dell בקר W-6000 וברכיבים שלו.



8 ידית ספק כוח: השתמש בידית זו להסרה ולהכנסה של ספק הכוח.

זהירות: ההתקנה צריכה להתבצע על-ידי טכנאי מוסמך.



פרק זה מטפל בנושאי ההתקנה הבאים:

- אמצעי זהירות במהלך התקנה
- דרישות עבור רכיבי בקר W-6000 וציוד להתקנה המעמד
- בחירה סביבה מתאימה עבור הבקר W-6000
- הרכבת הבקר W-6000 במעמד
- חיבור חשמל לבקר W-6000

רשימת בדיקה לקדם התקנה

תזדקק לדברים הבאים במהלך התקנה:

- בקר Dell PowerConnect W-6000
- חומרה להתקנת בקר Dell PowerConnect W-6000 במעמד (כלולה)
- מברג פיליפס או עם ראש צלב
- ציוד למעמד של 19 אינץ', או שווה ערך
- מפרט מעמד 3U עם 10 ס"מ (4 אינץ') רווח משמאל, מימין, בחזית, ומאחורי המעמד
- אדם נוסף כדי לסייע במיקום הבקר W-6000
- כבל חשמל אחד עבור כל ספק כוח, בעל ערך נקוב של 10 A עם מחבר IEC320
- ספקי כוח הולמים וזרם חשמל (ראה "ניהול צריכת חשמל" עמוד 25)
- אוויר קריר ללא עיבוי (0 עד 40 מעלות צלזיוס): ייתכן שיידרש מזגן
- מסוף עם יציאת RJ-45 או DB-9 טורית
- כבל RS-232 טורי עם מחבר נקבה RJ-45
- מתאם טורי (כלול) עם תחבר את המסוף עם DB-9

אמצעי זהירות

זהירות: מתח מסוכן של מעל 240VAC קיים תמיד בעת שמודול ספק הכוח מחובר לשקע חשמל. הסר את כל הטבעות, התכשיטים או חומרים בעלי האפשרות למוליכות לפני שתעבוד עם מוצר זה.

אף פעם אל תכניס חפצים זרים לתוך המארז, לספק הכוח או לכל רכיב אחר, גם כאשר ספקי הכוח כובו, נותקו מהחשמל או הוסרו.

זרם החשמל מהרשת החשמל מנותק לחלוטין מבקר W-6000 על-ידי ניתוק כל כבלי החשמל של ספקי הכוח שמותקנים משקעי החשמל. למען הבטיחות, ודא ששקעי החשמל והתקעים נגישים בקלות על-ידי המפעיל.

אל תטפל בכבלי חשמל שאינם מבודדים. הדבר כולל גם כבלי רשת.

למזעור סכנת התחשמלות, הרחק מים ונוזלים אחרים מהמוצר.

ציית לסטנדרטים של הארקה חשמל במהלך כל שלבי ההתקנה וההפעלה של המוצר. אל תאפשר למארז הבקר W-6000, יציאות הרשת, ספקי הכוח או זוויות ההרכבה לגעת בכל התקן, כבל, אובייקט, או אדם שמחובר להארקה חשמל שונה. בנוסף, אף פעם אל תחבר את ההתקן למקור הארקה ברקים חיצוני.

התקנה או הסרה של המארז או של כל מודול אחר חייבת להיעשות בסביבה ללא חשמל סטטי. מומלץ מאוד להשתמש ברצועות אנטי סטטיות לגוף ובשטיחונים אנטי סטטיים.

יש לשמור את המודולים באריזה אנטי סטטית כאשר אינם מותקנים במעמד.

אל תשלח/תאחסן מוצר זה בסמוך לשדות אלקטרומגנטיים, אלקטרוסטטיים, מגנטיים או רדיואקטיביים חזקים.

אל תפרק את המארז או כל מודול אחר. אין בהם חלקים פנימיים המיועד לטיפול על-ידי המשתמש. כאשר נדרשים שירות או תיקון, ראה את ["יצירת קשר עם התמיכה" עמוד 6](#).



דרישות

תצורה מינימלית

בקר Dell PowerConnect W-6000 חייב לכלול את הרכיבים הבסיסיים הבאים:

- מארז בקר W-6000 אחד
- מגש מאוורר אחד
- W-6000M3 Controller Module אחד בחריץ 0 (לרכישה בנפרד)
- ספקי כוח של לפחות 400W

הערה: מספר ספקי הכוח שנדרשים תלוי במספר ה-W-6000M3 Controller Module שמותקנים במארז (ראה ["ניהול צריכת חשמל" עמוד 25](#)).



הבקר W-6000 משווק כאשר כל מודולי ספק הכוח ומגש המאוורר שנדרשים מותקנים. התקן את המארז כמתואר בפרק זה, ולאחר מכן ראה את הפרקים העוקבים במדריך זה לקבלת הוראות על התקנתו של כל מודול נוסף.

ערכה להרכבה במעמד

באמצעות ערכת ההרכבה במעמד שכלולה, ניתן להרכיב את הבקר W-6000 במעמד רשת סטנדרטי של 19 אינץ' לצידו של טלוקומוניקציה. ערכת ההרכבה במעמד כוללת את החלקים הבאים:

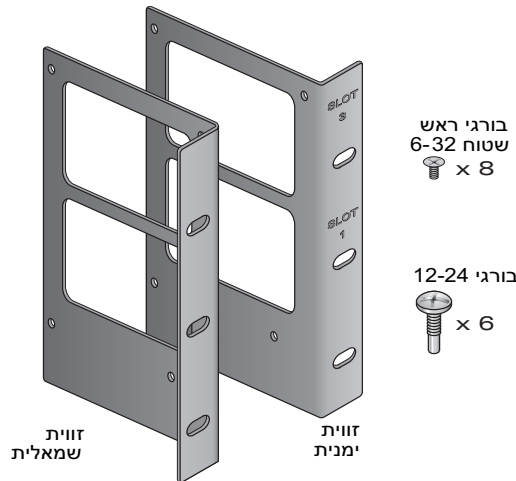
- ברגים עם ראש פיליפס "6-32 x 1/4" (x6, כלולים)

- ברגים עם ראש פיליפס "12-24 x 5/8" (4, כלולים)

בנוסף, ניתן להתקין את הבקר W-6000 במעמד רשת של 19 אינץ'. התקנה במעמד שרת מחייבת את הפריטים הבאים שכלולים:

- ברגים עם ראש פיליפס "6-32 x 1/4" (6, כלולים)
- ברגים עם ראש פיליפס M6 x 20 מ"מ (4, כלולים)
- אומים M6 (4, כלולים) או תפסים לבורג M6 (4, כלולים)

איור 2 חומרה להתקנה במעמד (מוצגת ערכה לטלקומוניקציה)



הערה: ששת הברגים 12-24 מיועדים לאבטח את המארז למעמד. מעמדים מסוים מחייבים ברגים אחרים שאינם כלולים. לפני שתנסה להרכיב את המארז, ודא שיש לך את הברגים או המהדקים הנכונים למערכת המעמד שלך.



בחירת מיקום

בדומה להתקני רשת ומחשוב אחרים, הבקר W-6000 מחייב סביבה "ידידותית מבחינה אלקטרונית".

- זרם חשמל מהימן
 - ודא ששקע החשמל תואם לספק הכוח (HW-PSU-400) של בקר W-6000, בעל ערך נקוב כולל של 400W ובעל טווח אוטומטי לקבלת 85 עד 240VAC, ב- 50 עד 60Hz.
 - הערך הנקוב של כבל החשמל הוא 10 A ותואם לסטנדרטים של הארקה חשמל במדינה שבה המוצר מופעל.
 - שימוש במייצב מתח או אל-פסק (UPS) יכול לצמצם או להקל על בעיות שנגרמות על-ידי תנודות מתח. ודא שהפלט של כל התקן לייצוב מתח תואם לספקי הכוח של הבקר W-6000 בהתבסס על הפרטים שסופקו למעלה.
- אוורור קריר וללא עיבוי
 - לפעולה תקינה, הבקר W-6000 מחייב סביבה שבה טמפרטורת האוויר שסביב היא בין 0 לבין 40 מעלות צלזיוס. יש לשמור על לחות ברמות ללא עיבוי בין 5 עד 95%.
 - במקומות שבהם מספר רב של התקנים חשמליים פועלים באותו אזור, ייתכן שיידרש ציוד נוסף של מיזוג אוויר.
- מרווח מתאים
 - כדי לקבל זרימת אוויר נאותה, השאר רווח של לפחות 10 ס"מ (4 אינץ') עבור פתחי האוורור משמאל, מימין, בחזית ומאחורי המארז.

השאר מרווח נוסף בחזית המארז כדי לגשת לכבלי החשמל, כבלי הרשת ולנוריות המחוון.

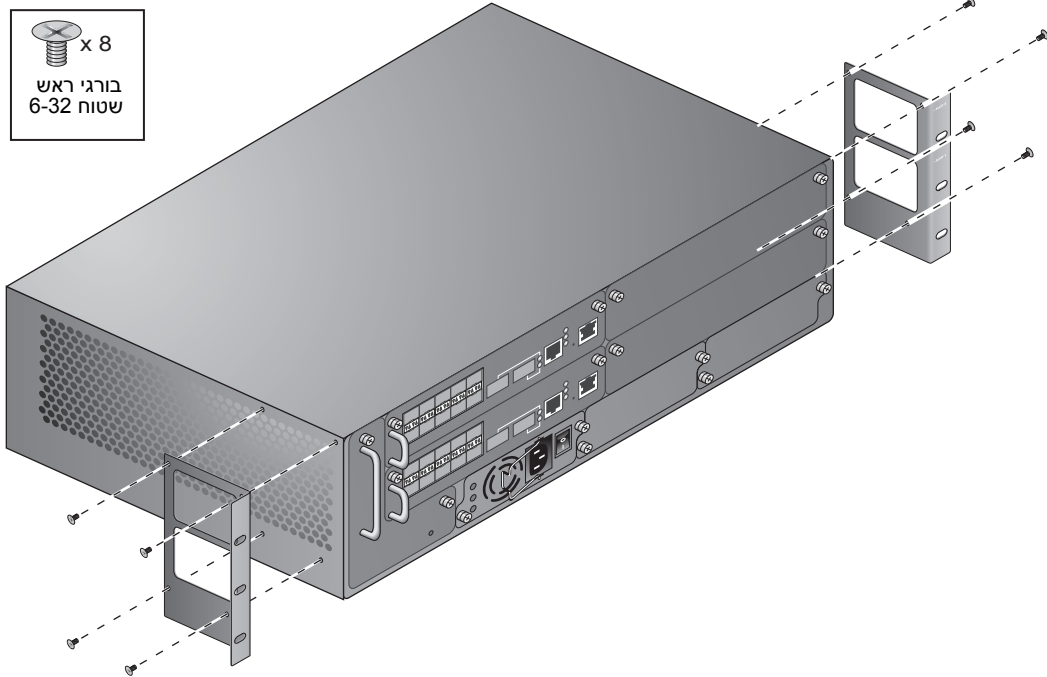
- הפרעה אלקטרומגנטית מוגבלת

לקבלת פעולה טובה ביותר, השאר מרווח של לפחות 0.7 מטר בין כל הכבלים של הבקר W-6000 לבין תאורת פלורוסנט, ומרווח של 2 מטר לבין מכונות צילום, משדרי רדיו, גנרטורים ומקורות אחרים של הפרעה אלקטרומגנטית חזקה.

התקנת המארז במעמד

1. ודא שסביבת המעמד עונה לדרישות (ראה "בחירת מיקום" עמוד 11).
2. חבר את זוויות ההרכבה במעמד למארז כמוצג באיור 3 עמוד 12.

איור 3 חיבור הזוויות להרכבה במעמד



הזוויות שמוסמנות במספרי חריץ 1 ו-3 מיועד לצד ימין של מארז הבקר W-6000. כוון את הזוויות כך שהצד הצר יפנה לחזית. כאשר הזוויות מונחות כהלכה, הפתחים המלבניים הגדולים ממוקמים מעל לפתחי האורור הצדיים כדי לאפשר זרימת אוויר נאותה במהלך ההפעלה.

השתמש במברג פיליפס או עם ראש צלב כדי לחבר בצורה בטוחה כל זווית באמצעות ארבע בורגי ראש שטוח 6-32 (כלולים).

3. חבר את הבקר W-6000 למעמד.

זהירות: כדי להימנע מפגיעה או מנזק לציוד, היעזר באדם נוסף להרמה ולמיקום הבקר W-6000. בנוסף, אל תתקין את הבקר W-6000 באופן שבו חוסר יציבות או מעמס מכני לא מאוזן עלולים להתרחש.



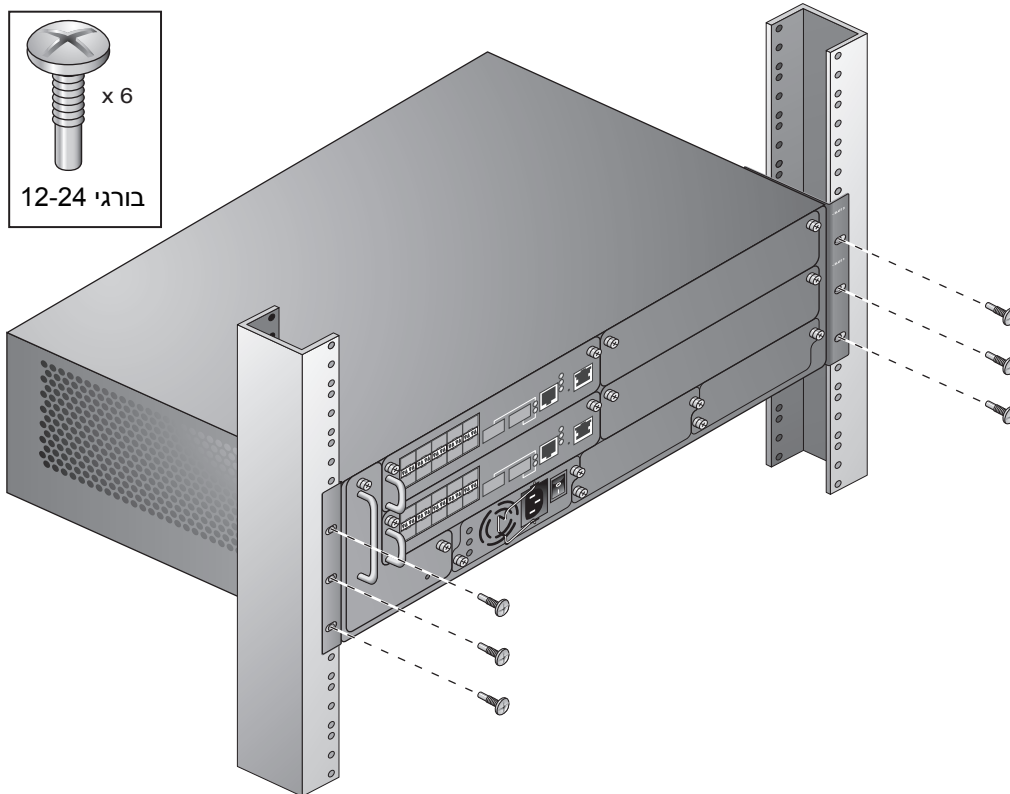
הערה: לפעולה תקינה, לבקר W-6000 נדרשת טמפרטורת סביבה שבין 0 לבין 40 מעלות צלזיוס. ודא שסביבת המעמד שלך תואמת לדרישה זו



אם אתה מתקין התקן זה במעמד שרת, התקן תחילה את האומים/מהדקים. התקן את האומים/מהדקים על השלמת השלבים הבאים:

- a. התחל על-ידי הכנסת השפה התחתונה של האום אבל מעל הפתח המרובע בחלק האחורי של המסילה.
 - b. הכנס את הקצה הקטן של כלי התקנת האומים דרך הפתח במסילה (מכיוון החזית), ומקם את הכלי מעל לשפה העליונה של האום.
 - c. דחף את האום פנימה לכיוון המסילה תוך כדי סיבוב הכלי מעלה ומשיכת הכלי לאחור לכיוון שלך עד אשר השפה העליונה של האום נכנסת למקומה בנקישה.
 - d. המשך בהתקנה הרגילה של הבקר W-6000.
- מקם את המארז במעמד הציוד ויישר את חורי ההרכבה של הזוויות עם החורים התואמים במסגרת המעמד.

איור 4 הרכבת הבקר W-6000



השתמש במברג פיליפס או במברג עם ראש צלב כדי לאבטח את המארז למעמד בעזרת שלושה בורגי 12-24 (עבור מעמד טלקומוניקציה) או שלושה בורגי M6 x 20 מ"מ (עבור מעמד שרת) לכל זווית הרכבה.

הערה: מעמדים מסוימים מחייבים ברגים שונים שאינם כלולים. ודא שאתה משתמש בברגים או במהדקים הנכונים עבור מערכת המעמד שלך.



הוספת W-6000M3 Controller Modules

אם קיבלת את המודול בנפרד מהמארז, או שברצונך להרחיב את המערכת עם מודולים נוספים, ראה את הפרקים העוקבים של מדריך זה לקבלת הוראות ספציפיות על התקנת כל מודול.

הערה: על-ידי הוספת מודולים, את מגדיל את העומס החשמלי כולל. בהתאם למודולים שמוקנים, ייתכן שתצטרך להוסיף ספקי כוח למארז ו/או להגדיל את יכולתה של מערכת החשמל באתר לספק חשמל. לפרטים, ראה את "ניהול צריכת חשמל" עמוד 25.



זהירות: הליך זה צריך להיות מבוצע על-ידי טכנאי מוסמך.



1. ודא שאתה מבין את הנוהל ואת אמצעי הזהירות.

לפני שתתחיל, קרא את כל הנוהל. ודא שאתה מבין את אמצעי הזהירות בשלבים אלו והן את השלבים המפורטים ב
בעמוד 10.

2. ודא שספקי הכוח שמותקנים יכולים לטפל בעומס החשמל.

מספר ספקי הכוח שנדרשים עבור הבקר W-6000 תלוי במספר ה-W-6000M3 Controller Modules שמותקנים.
לפרטים, ראה את "ניהול צריכת חשמל" עמוד 25.

3. ודא שאתר שלך מסוגל לטפל בעומס החשמל שנדרש עבור הבקר W-6000.

לכל ספק הכוח (HW-PSU-400) של בקר W-6000 יש ערך נקוב כולל של 400W ובעל טווח אוטומטי לקבלת 85 עד
240VAC, ב-50 עד 60Hz.

בהתאם לעומס החשמל הכולל, ייתכן שתצטרך להגדיל את יכולת אספקת החשמל של האתר שלך. לפרטים, ראה את
"ניהול צריכת חשמל" עמוד 25.

הערה: שימוש במייצב מתח או אל-פסק (UPS) יכול לצמצם או להקל על בעיות שנגרמות על-ידי תנודות מתח. ודא שהפלט של כל התקן
לייצוב מתח תואם לספקי הכוח של ה-בקר W-6000 בהתבסס על הפרטים שסופקו למעלה.



4. ודא שמתג ההפעלה שעל ספק הכוח נמצא במצב Off (O).

זהירות: אף פעם אל תחבר את כבל החשמל לספק הכוח כאשר מתג ההפעלה של ספק הכוח נמצא במצב On (I). ודא תחילה שמתג
ההפעלה נמצא במצב Off (O).



5. חבר את כבל החשמל לספק הכוח.

חבר את כבל החשמל המתאים לשקע כניסת החשמל. ניתן להכניס בשקע כבל חשמל עם תקע IEC320 סטנדרטי.

זהירות: לבטיחות ולביצועים נאותים, כבל החשמל צריך להיות בערך נקוב של 10 A ולהתאם לסטנדרטים של הארקה בארץ שבה המוצר
פועל.



הערה: ספק הכוח של 400W (HW-PSU-400) כולל כבל חשמל עם מהדק אבטחה. כאשר כבל החשמל מחובר, ניתן להשתמש במהדק
האבטחה כדי לשמור את הכבל במקומו ולסייע למנוע את משיכתו החוצה בשוגג (ראה איור 8 עמוד 26).



6. חבר את כבל החשמל לשקע החשמל המתאים.

זהירות: מטעמי בטיחות, ודא ששקעי החשמל והתקעים נגישים בקלות למפעיל וניתן לנתקם מהירות במקרה הצורך.



חזור על השלבים 4, 5 ו-6 שלמעלה עבור כל ספק כוח שמותקן

לאחר חיבור החשמל, תוכל לבצע את בדיקת ההפעלה (ראה את עמוד 15).

לאחר ההתקנה הפיזית של הבקר W-6000, הרץ את בדיקת ההפעלה הבאה:

1. הפעל ברצף מהיר את כל ספקי הכוח שמותקנים.

בכל ספק כוח, העבר את מתג ההפעלה למצב On (I).

הערה: כדי למנוע עומס יתר מספק הכוח הראשון שמופעל, יש להפעיל את ספקי הכוח הנדרשים בערך באותו זמן (בתוך כשלוש שניות).



2. בדוק את מחווני החשמל המתאימים.

מייד עם ההפעלה, עליך לראות את הדברים הבאים:

כל נוריות ספק הכוח AC OK ו- DC OK מאירות בירוק יציב.

נורית מגש המאוורר Fan Status מאירה בירוק יציב ועליך לחוש זרם אוויר משמעותי נושב מפתחי האוורור של המארז בכל אחד משלושת מיקומי המאוורר.

3. בדוק את מחווני הפעולה המתאימים.

לאחר אתחול מוצלח של המערכת, עליך לראות את הדברים הבאים:

נוריות ספק הכוח AC OK ו- DC OK עדיין מאירות בירוק יציב.

נורית מגש המאוורר Fan Status עדיין מאירה בירוק יציב.

הערה: למידע נוסף על התנהגות הנוריות, עיין בפרקים הנפרדים עבור המודולים הספציפיים.



4. לאחר שמהערכת עברה את בדיקת ההפעלה הראשונית:

חבר את כבלי הרשת המתאימים.

5. אתה מוכן כעת לביצוע ההגדרה הראשונית כמתואר ב- *Aruba Quick Start Guide* (שנכלל בערכת האביזר) עבור התוכנה שטעונה בבקר.

מגש המאוורר (HW-FT) של הבקר Dell PowerConnect W-6000 מספק זרם אוויר לצינון מודולי ה-W-6000M3 במארז של הבקר Dell PowerConnect W-6000 ונדרש לשם פעולתם הרגילה. טמפרטורת הפעלה רגילה עבור מארז הבקר W-6000 היא בין 0 לבין 40 מעלות צלזיוס. אם תחול חריגה מטווח הטמפרטורות, ה-W-6000 יספק אזהרה באמצעות התוכנה כדי להזהיר את המשתמש על השינוי. הטבלה הבאה מתארת התראות אלו ואת הספים שלהן:

טבלה 3 ספי טמפרטורה

חומרת ההתראה	סף
משני	40 °C
חמור	50 °C
קריטי	60 °C

פרק זה מתאר את התכונות הכלליות והמאפיינים הפיזיים של מגש המאוורר, ומספק הוראות על החלפת המודול אם נדרש.

תכונות

יתירות מוכללת

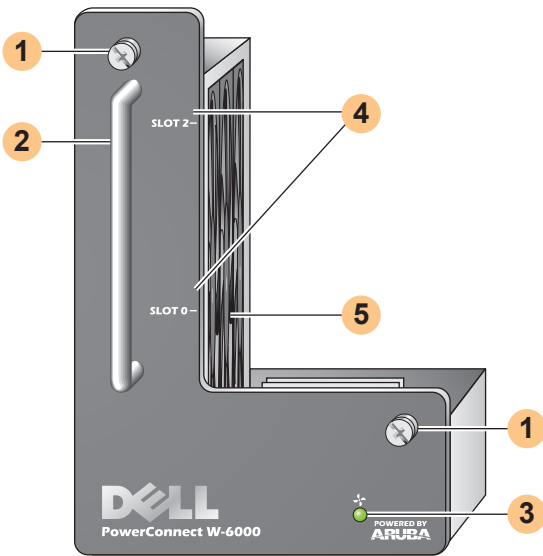
במגש המאוורר מסופקים שלושה מאווררים. המודול מתוכנן לספק קירור, גם אם מאוורר אחד כושל. כל שני מאווררים שפועלים יספקו זרם אוויר מספיק לקירור נאות עד שניתן יהיה להחליף את מגש המאוורר.

החלפה חמה

ההחלפה החמה צריכה להתבצע על-ידי טכנאי מוסמך. החלפה חמה מאפשרת להחליף את מגש המאוורר ללא שיש צורך לכבות את המערכת. במהלך פעולת ההחלפה, המארז ימשיך לתפקד ללא מאווררים, אך יש להשלים את התהליך בתוך דקה אחת כדי לחדש קירור נאות.

תיאור פיזי

חריץ מגש המאוורר ממוקם מצדו השמאלי של מארז הבקר W-6000 ובולט מצדו הקדמי של המארז לאחור.



- 1 ברגים להידוק המודול: ברגים אלו מסוג captive משמשים לאבטחת המודול לתוך חריץ מגש המאוורר של המארז.
- 2 ידית המודול: ידית זו משמשת להוצאה ולהכנסה של המודול למארז.

זהירות: אל תשתמש בידית המודול כדי להרים או להעביר את ה- בקר W-6000. נזק רציני עלול להיגרם.



- 3 נורית מצב מאוורר: במהלך פעולה, נורית מצב המאוורר מספקת את המידע הבא:

טבלה 4 התנהגות נורית מגש המאוורר

מזב	תיאור
כבוי	מגש המאוורר אינו פועל.
ירוק	מגיע מתח למגש המאוורר וכל שלושת המאווררים פועלים כשורה.
כתום	מאוורר אחד כשל, אך השניים הנותרים יכולים לספק קירור נאות עד שניתן יהיה להחליף בנוחות את מגש המאוורר.
אדום	שני מאווררים או יותר כשלו. החלף מייד את מגש המאוורר.

הערה: בנוסף לנוריות, ניתן לראות את מצב מגש המאוורר ואת הטמפרטורה הכוללת של המארז באמצעות ממשק שורת הפקודה (CLI).



- 4 תוויות חריץ: כאשר מגש המאוורר מותקן בבקר W-6000, תוויות אלו מציגות את חריצי המודול שנמצאים מייד מימין למגש המאוורר (ראה את איור 1 עמוד 7).
- 5 מאווררים: שלושה מאווררים בלתי תלויים מספקים יתירות לקירור כרטיסי הבקר W-6000.

החלפת מגש המאוורר



זהירות: תיקונים רבים ניתנים לביצוע רק על-ידי טכנאי שירות מוסמך. עליך לפתור בעיות ולבצע תיקונים פשוטים רק בהתאם להרשאות בתיעוד המוצר, או כפי שמוסבר באמצעות שירות טלפוני מקוון וצוות התמיכה. נזק שנגרם בגלל טיפול שאינו מורשה על-ידי Dell אינו מכוסה באחריות. קרא ובצע את הוראות הבטיחות שמצורפות למוצר.

בעת החלפה חמה של מגש המאוורר, שים לב שקיימים היבטים קריטיים מבחינת זמן עבור חלקים של המוצר. כדי לוודא הכנה נאותה, קרא את כל השלבי הנוהל לפני שתנסה לבצע החלפה.

בנוסף, ודא שאתה מבין את כל אמצעי הזהירות בשלבים אלו והן את השלבים המפורטים בעמוד 10.

הכנת מגש מאוורר חדש

1. הוצא את מגש המאוורר החדש מהאריזה.
2. בדוק את מגש המאוורר החדש כדי לוודא שאינו פגום.
3. הנח את מגש המאוורר החדש במקום בטוח סמוך למארז, מוכן להכנסה מהירה.
4. הכן מברג #2 של פיליפס או עם ראש צלב.

הסרת מגש מאוורר ישן

1. שחרר את בורגי ההידוק של מגש המאוורר.
בחזית הבקר W-6000, השתמש במברג כדי לשחרר את שני בורגי ההידוק שעל לוחית המגש המאוורר שמותקן. הברגים משתחררים בסיבוב נגד כיוון השעון, אך נותרים תפוסים ולא ניתן להסירם לגמרי.
2. נתק את מגש המאוורר.
אחוז היטב בידיית המודול ומשוך את מגש המאוורר קדימה מחוץ לחריץ. ייתכן שתהיה התנגדות מסוימת כאשר המודול משתחרר מהחיבורים ללוח האחורי של המארז, אך אל תשתמש בכוח מופרז.
כאשר המודול מנותק לגמרי מהלוח האחורי, החשמל למאווררים הפועלים מנותק והם יפסיקו להסתובב בהדרגה.

זהירות: המאווררים ימשיכו להסתובב למשך זמן קצר, למרות שלא מגיע אליהם מתח. המתן שהמאווררים יפסיקו להסתובב לפני הסרת מגש המאוורר.



בנוסף, בעת החלפה חמה, לאחר שהמאווררים מפסיקים להסתובב הבקר W-6000 ימשיך לפעול, אם כי חום יתחיל להיבנות ברכיבים הפעילים. החל מנקודה זו, ישנו זמן מוגבל (דקה אחת) לפי שיש להשלים את ההתקנה של מגש המאוורר החדש.

יש להקפיד על מגבלת הדקה האחת כי הבקר W-6000 אינו כולל פונקציה של כיבוי תרמי. אם אינך יכול להחליף את מגש המאוורר בתוך דקה אחת, כבה את ה- בקר.

3. לאחר הניתוק, מגש המאוורר אמור להחליק בקלות מתוך המארז. הסר לגמרי את מגש המאוורר והנח במקום צדדי בטוח.

הכנסת מגש מאוורר חדש

1. הרם את מגש המאוורר החדש באמצעות הידיית שנמצאת בחלקו הקדמי של הלוח.
2. הכנס בזהירות את מגש המאוורר לתוך חריץ מגש המאוורר של המארז.
יישר את חלקו האחורי של מגש המאוורר עם מסילות ההכוונה של חריץ מגש המאוורר של המארז והחלק אותו בזהירות כלפי הלוח האחורי. המודול אמור להחליק בקלות רוב הדרך.
3. חבר את מגש המאוורר.
כאשר מגש המאוורר מגיע לחלק האחורי של המארז, ייתכן שתחוש התנגדות מסוימת. לחץ היטב כך שהמחברים בחלקו האחורי של המודול יתחברו ללוח האחורי, אך אל תשמש בכוח מופרז.
- בעת החלפה חמה של מגש המאוורר וכאשר המחברים מתחברים כשורה, מתח אמור להגיע למאווררים ועליהם להתחיל להסתובב.
4. בדוק את המאווררים כדי לוודא שכולם פועלים.

לאחר שהמתח חוזר למגש המאוורר, על-ידי חיבור המודול ללוח האחורי במהלך החלפה חמה או על-ידי הפעלת המערכת לאחר החלפה קרה, נורית מצב המאוורר צריכה להיות ירוקה ועליך לחוש זרם אוויר משמעותי נושב מפתחי האוורור של המארז בכל אחד ממיקומי המאוורר.

אם כל המאווררים פועלים, מסתיים בכך החלק הקריטי בזמן של נוהל החלפה החמה.

אם אחד המאווררים במגש מאוורר שהוחלף כעת בהחלפה חמה אינו פועל (נורית מצב מאוורר צהובה), אפשר לפחות שלוש דקות כדי שמאווררים הנותרים יקררו את המארז לפני שתנסה החלפה חמה נוספת.

זהירות: אם שניים או יותר מהמאווררים במגש מאוורר שהוחלף כעת בהחלפה חמה אינם פועלים (נורית מצב מאוורר אדומה), כבה את הבקר W-6000, החלף את מגש המאוורר, ואפשר לבקר W-6000 להצטנן לפחות חמש דקות לפני שתפעיל שוב.



5. אבטח את מגש המאוורר.

השתמש במברג כדי לדחוף פנימה ולהדק את בורגי ההידוק בלוח החזית של מגש המאוורר שהותקן כעת. סובב את הברגים בכיוון השעון עד שתחוש התנגדות מתונה, אך אל תהדק יותר מדי.

Dell PowerConnect W-6000M3

ה-Dell PowerConnect W-6000M3 הוא מודול בקר המיועד להחלפה חמה במערכת המארז של בקר W-6000. מארז הבקר W-6000 מסוגל להכיל עד ארבעה מודולים, שכל אחד מהם ניתן להגדיר בתור ראשי או מקומי. לפרטים מלאים לגבי ה-W-6000M3, כולל הוראות התקנה ואפשרויות להגדרת תאימות, ראה את *Dell PowerConnect W-6000M3 Dell*. *Installation Guide*. לפרטים על ניהול צריכת חשמל, ראה את "ניהול צריכת חשמל" עמוד 25.

כל מודול של בקר W-6000M3 יכול לתמוך לכל היותר ב-512 נקודות גישה בחיבור קמפוס באמצעות שימוש ברישיונות השדרוג של Dell AP. לקבלת רשימה מלאה של רישיונות תוכנה זמינים, צור קשר עם נציג המכירות של Dell.

למידע על ההתקנה וההפעלה של מודול הבקר Dell PowerConnect W-6000, ראה את *Dell PowerConnect Dell*. *W-6000M3 Controller Module Installation Guide* שכלול עם כל מודול.

ספק הכוח של הבקר Dell PowerConnect W-6000 מתאים מתח החשמל לשימוש עם הבקר W-6000. מארז ה-W-6000 כולל שלושה חריצים היכולים להכיל ספקי כוח אינדיבידואליים כדי לתמוך בשיתוף עומסים וסבולת לכשל.

פרק זה מתאר את התכונות הכלליות והמאפיינים הפיזיים של ספק הכוח ומידע חשוב לגבי ניהול צריכת חשמל. הסעיפים האחרונים של הפרק עוסקים בשלבים הנדרשים להכנסה ולהסרה של ספקי הכוח.

תכונות

דירוג

לספק הכוח Dell W-6000 (HW-PSU-400) יש ערך יציאה נקוב כולל של 400W וטווח אוטומטי לקבלת 85 עד 240VAC, ב-50 עד 60Hz. ניתן להתקין בבקר W-6000 עד שלושה ספקי כוח של 400W.

שיתוף עומסים

שיתוף עומסים מתבצע כאשר יותר מספק כוח אחד בעל דירוג זהה מותקן ופועל בבקר W-6000. שיתוף עומסים מחלק את עומס המתח הכולל של ה-W-6000 בין כל המודולים המחוברים של ספק הכוח. כיוון שספקי הכוח פועלים יחד, קיבולת המתח האפקטיבית של המארז מוגדלת באמצעות כל ספק כוח נוסף.

יתירות

כאשר מותקנים ספקי כוח מרובים, אם אחד מהם הופך לבלתי זמין (כשל, כיבוי או הסרה), ספקי הכוח הנותרים מספקים את מלוא ההספק לבקר W-6000. אם עומס החשמל הכולל אינו חורג מהפלט המשולב הנקוב של ספקי הכוח הנותרים והמתפקדים, ה-W-6000 ימשיך לפעול. למידע נוסף על הגדרות ספק כוח, ראה את "ניהול צריכת חשמל" עמוד 25.

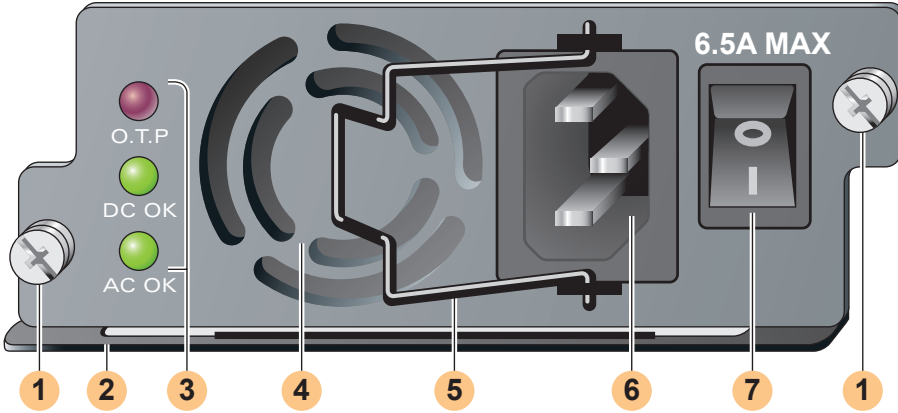
החלפה חמה

ההחלפה החמה צריכה להתבצע על-ידי טכנאי מוסמך. החלפה חמה מאפשרת להחליף ספק כוח כושל אחד בעת שהאחרים מספקים הספק מלא. באופן כזה אין צורך לכבות את הבקר W-6000 במהלך הליך ההחלפה.

החלפה חמה מחייבת שלאחר הסרת ספק הכוח המיועד, עומס החשמל הכולל של המארז לא יחרוג מההספק המשולב הנקוב של ספקי כוח הנותרים.

תיאור פיזי

איור 6 ספק כוח 400W



1 ברגים להידוק המודול: שני בורגי הידוק אלו מסוג captive (לא נשלפים) שומרים על ספק הכוח במקומו במארז.

2 ידית המודול: ידית זו משמשת להוצאה ולהכנסה של המודול למארז ה-W-6000.

זהירות: אל תשתמש בידית ספק הכוח כדי להרים או להעביר את הבקר W-6000. נזק רציני עלול להיגרם.



3 נוריות מחוון

טבלה 5 נוריות ספק כוח 400W

שם נורית	מיקום	מצב	תיאור
O.T.P (Over Temp.) (Protection)	למעלה	כבוי	טמפרטורת ספק בכוח בסדר.
		אדום	כשל במאוורר ספק הכוח או שהטמפרטורה גבוהה מדי.
DC OK	אמצע	ירוק	יציאת מתח DC בסדר.
		אדום	יציאת מתח DC לא במסגרת הסבולת.
AC OK	למטה	ירוק	כניסת מתח AC בסדר.
		אדום	יציאת מתח AC לא במסגרת הסבולת.

הערה: בנוסף לנוריות, ניתן לראות את מצב ספק הכוח באמצעות ממשק שורת הפקודה (CLI).



4 פתח כניסת אוויר: פתח כניסת האוויר מסייע למאוורר הפנימי לקרר את ספק הכוח במהלך הפעולה. כדי למנוע חסימה, שמור את כל החומרים במרחק של 10 ס"מ מטרם מפתח האוורור.

5 כבל חשמל עם מהדק אבטחה: מהדק זה מותאם מעל לכבל החשמל לאחר שהתקע מוכנס לשקע כניסת החשמל. הוא מסייע למנוע משיכה החוצה בשוגג של כבל החשמל.

זהירות: אל תשתמש במהדק אבטחת כבל החשמל כדי להסיר את מודול ספק הכוח, או כדי להרים או להעביר את ה-W-6000.



6 שקע כניסת חשמל: לשקע החשמל מתחברים כבלי חשמל עם מחברי IEC320 סטנדרטיים. לבטיחות ולביצועים נאותים, כבל החשמל צריך להיות בערך נקוב של 10 A ולהתאם לסטנדרטים של הארקה בארץ שבה המוצר משמש.

7 מתג הפעלה: למתג ההפעלה יש שני מצבים: Off (○) ו-On (|).

ניהול צריכת חשמל

הבקר W-6000 תומך לכל היותר בשלושה ספרי כוח של 400W. אם תשתמש באחד או שני ספקי כוח עבור 400 עד 800W של מתח ראשי, ניתן להשתמש בספק כוח יתיר של 400W.

לתכנון יכולת מקסימלית, חבר את צריכת הזרם המקסימלית שנדרשת עבור כל המודולים בתצורת המארז כדי לקבוע את המספר הנדרש של ספקי חשמל.

W-6000M3 Module וטבלת תצורת ספקי כוח

הטבלה הבאה מציגה את תצורות מודול ה-W-6000M3, ואת תצורת ספקי הכוח שנובעת מכך ושימוש בחשמל.

טבלה 6 ספק כוח ותצורות מודול

מספר יחידות				מודול
4	3	2	1	W-6000M3 Controller Module (צריכת זרם מקסימלית של 130W כל אחד)
520	390	260	130	צריכת זרם כוללת (W)
2	1	1	1	מספר נדרש של יחידות ספק כוח
1	2 או 1	2 או 1	2 או 1	מספר יתיר של יחידות ספק כוח

הכנסת ספק כוח

זהירות: תיקונים רבים ניתנים לביצוע רק על-ידי טכנאי שירות מוסמך. עליך לפתור בעיות ולבצע תיקונים פשוטים רק בהתאם להרשאות בתיעוד המוצר, או כפי שמוסבר באמצעות שירות טלפוני מקוון וצוות התמיכה. נזק שנגרם בגלל טיפול שאינו מורשה על-ידי Dell אינו מכוסה באחריות. קרא ובצע את הוראות הבטיחות שמצורפות למוצר.

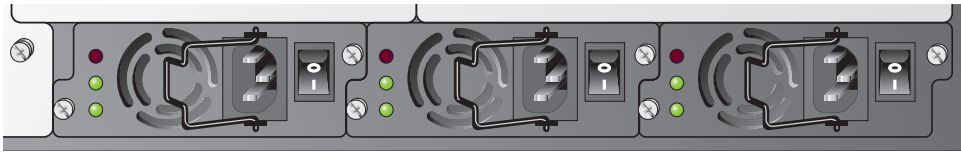


1. ודא שאתה מבין את הנוהל ואת אמצעי הזהירות.

לפני שתתחיל, קרא את כל הנוהל. ודא שאתה מבין את אמצעי הזהירות בשלבים אלו והן את השלבים המפורטים בעמוד 10.

2. בחר בחריץ ספק כוח עבור ספק הכוח.

את ספק הכוח של 400W (HW-PSU-400) ניתן להתקין בכל חריץ של ספק כוח, וכל חריץ של ספק כוח יכול להישאר ריק. כלומר, אין סדר ספציפי נדרש של חריצים עבור ספקי הכוח.



אם אתה מחליף ספק כוח שהותקן קודם לכן, תחילה ראה את "הסרת ספק כוח" עמוד 27.

אם אתה מתקין ספק כוח בחריץ ריק, ייתכן שעליך להסיר תחילה את לוחית הכיסוי של החריץ הריק. לשם כך, השתמש במברג #2 של פיליפס או עם ראש צלב. סובב את בורגי ההידוק בלוח החזית נגד כיוון השעון עד שישתחררו (לא ניתן להסירם לגמרי). הסר את לוחית הכיסוי ואחסן מקום בטוח.

3. ודא שמתג ההפעלה שעל ספק הכוח שמיועד להתקנה נמצא במצב Off (●).

זהירות: אף פעם אל תכניס או תסיר ספק כוח כאשר מתג ההפעלה נמצא במצב On (I) או כאשר כבל החשמל מחובר למודול ספק הכוח. ודא תחילה שמתג ההפעלה נמצא במצב Off (●) ושכבל החשמל מנותק ממודול ספק הכוח של ה-W-6000.



4. הכנס את ספק הכוח במארז.

אחוז בידית ספק הכוח שמחוברת לאורך צדו התחתון של ספק הכוח, כך שהנוריות יהיו משמאל ומתג ההפעלה מימין. אל תשתמש במהדק אבטחת כבל החשמל כדי להכניס או להסיר את ספק הכוח. יישר את חלקו האחורי של המודול עם מסילות ההכוונה שבחריץ ספק הכוח של המארז והחלק את המודול לכיוון הלוח האחורי. אל תדחף את המודול בחוזקה; המודול אמור להחליק בקלות רוב הדרך. ייתכן שתהיה התנגדות מסוימת כאשר ספק הכוח יגיע למחברים בחלקו האחורי של המארז. לחץ היטב כדי לחבר את המחברים, אך אל תשתמש בכוח מופרז.

5. אבטח את ספק הכוח.

השתמש במברג כדי לדחוף את בורגי ההידוק של המודול וסובב בכיוון השעון עד שתחוש התנגדות מסוימת. אל תהדק יותר מדי.

6. חבר את כבל החשמל לספק הכוח.

הערה: הפנה את מהדק כבל החשמל שמאלה לפני שתחבר את כבל החשמל.



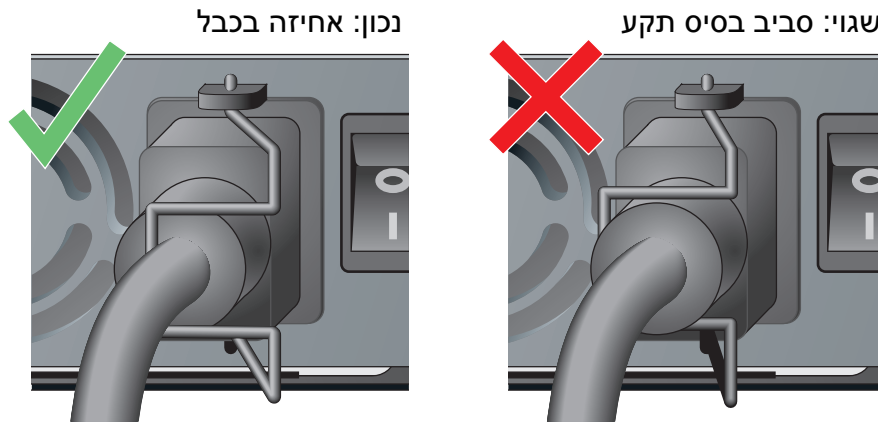
חבר את כבל החשמל המתאים לשקע כניסת החשמל. ניתן להכניס בשקע כבל חשמל עם תקע IEC320 סטנדרטי.

זהירות: לבטיחות ולביצועים נאותים, כבל החשמל צריך להיות בערך נקוב של 10 A ולהתאם לסטנדרטים של הארקה בארץ שבה המוצר פועל.



7. אבטח את כבל החשמל.

כאשר כבל החשמל מחובר, הפנה את מהדק כבל החשמל ימינה כפי שמוצג באיור 8 עמוד 26. פעולה זו תשמור את התקע במקומו ותמנע את הסרתו בשוגג.



8. חבר את כבל החשמל לשקע החשמל המתאים.

ודא שאתר שלך מסוגל לטפל בעומס החשמל שנדרש עבור ה-W-6000.

לכל ספק הכוח (HW-PSU-400) יש ערך נקוב כולל של 400W וטווח אוטומטי לקבלת 85 עד 240VAC, ב-50 עד 60Hz. בהתאם לעומס החשמל הכולל ב-W-6000, ייתכן שתצטרך להגדיל את יכולת אספקת החשמל של האתר שלך. לפרטים ראה את "ניהול צריכת חשמל" עמוד 25.

זהירות: מטעמי בטיחות, ודא ששקעי החשמל והתקעים נגישים בקלות למפעיל וניתן לנתקם מהירות במקרה הצורך.



הערה: שימוש במייצב מתח או אל-פסק (UPS) יכול לצמצם או להקל על בעיות שנגרמות על-ידי תנודות מתח. ודא שהפלט של כל התקן לייצוב מתח תואם לספקי הכוח של ה-W-6000 בקר.



הסרת ספק כוח

זהירות: תיקונים רבים ניתנים לביצוע רק על-ידי טכנאי שירות מוסמך. עליך לפתור בעיות ולבצע תיקונים פשוטים רק בהתאם להרשאות בתיעוד המוצר, או כפי שמוסבר באמצעות שירות טלפוני מקוון וצוות התמיכה. נזק שנגרם בגלל טיפול שאינו מורשה על-ידי Dell אינו מכוסה באחריות. קרא ובצע את הוראות הבטיחות שמצורפות למוצר.



1. ודא שאתה מבין את הנוהל ואת אמצעי הזהירות.

לפני שתחיל, קרא את כל הנוהל. ודא שאתה מבין את אמצעי הזהירות בשלבים אלו והן את השלבים המפורטים בעמוד 10.

2. ודא שמתג ההפעלה שעל ספק הכוח שמיועד להסרה נמצא במצב Off (O).

זהירות: אף פעם אל תכניס או תסיר ספק הכוח כאשר מתג ההפעלה נמצא במצב On (I). ודא תחילה שמתג ההפעלה נמצא במצב Off (O).



3. נתק את ספק הכוח שמיועד להסרה.

אם תשתמש במהדק כבל החשמל, תחילה הפנה אותו שמאלה ושחרר את התקע. לאחר מכן הסר את התקע.

4. הסר את ספק הכוח.

השתמש במברג #2 של פיליפס או עם ראש צלב כדי לסובב את בורגי ההידוק של ספק הכוח נגד כיוון השעון עד שישתחררו (לא ניתן להסירם לגמרי). אחוז היטב בידיית ספק הכוח ומשוק את המודול בזהירות מחוץ למארז.

5. כסה חריץ ריק.

מטעמי בטיחות, וכן כדי לסייע בזרימת אוויר נאותה לצורך קירור וכדי למנוע כניסת אבק למארז, כסה את החריץ שאינו בשימוש בלוחית כיסוי.

פיזיים

טבלה 7 מפרטים פיזיים

מידה	פריט
גובה 14.9 ס"מ (5.58 אינץ') רוחב 44.2 ס"מ (17.4 אינץ') עומק 31.8 אינץ' (12.5 אינץ')	גודל
25.5 ק"ג מקסימום 6.6 ק"ג מארז ומגש מאוורר 4.5 ק"ג כל ספק כוח	משקל

סביבתיים

טבלה 8 מפרטים סביבתיים

מידה	פריט
הפעלה: 0 עד 40 מעלות צלזיוס אחסון: 0 עד 50 מעלות צלזיוס התראה משנית: 40 מעלות צלזיוס תראה חמורה: 50 מעלות צלזיוס התראה קריטית: 60 מעלות צלזיוס.	טמפרטורה
5% עד 95% (ללא עיבוי)	לחות
3048 מ', מקסימום	גובה

תפעוליים

טבלה 9 מפרטים תפעוליים

מידה	פריט
דגם HW-PUSS-400 כניסה: 85-240VAC, 50-60Hz יציאה: 48V, 8A	ספקי כוח
460W (לכל ספק כוח), מקסימום	צריכת חשמל
ממשק דפדפן אינטרנט HTML	ניהול רשת
IEEE 802.1x, IEEE 802.3 10BASE-T, IEEE 802.3u 100BASE-TX, IEEE 802.3ab 1000BASE-T, IEEE 802.3z 1000BASE-SX	סטנדרטים

תאימות

הפרעה אלקטרומגנטית

ארצות הברית

FCC Class A

התקן זה נבדק ונמצא תואם להגבלות התקן דיגיטלי Class A, בהמשך לחלק 15 של כללי ה-FCC. הגבלות אלה נועדו לספק הגנה סבירה כנגד הפרעות מזיקות כאשר הציוד מופעל בסביבה מסחרית. ציוד זה מפיק, משתמש ועשוי להקרין אנרגיה בתדירות רדיו, ולפיכך התקנה ושימוש בציוד זה שלא בהתאם למדריך ההוראות, עלולים לגרום להפרעות מזיקות לתקשורת רדיו. סביר שהפעלת ציוד זה באזור מגורים תגרום להפרעות מזיקות, ובמקרה זה על המשתמש לתקן את ההפרעה על חשבונו.

שינויים או התאמות כלשהם שלא אושרו במפורש על-ידי הגוף שאחראי לתקינה עלולים לבטל את הרשאתו של המשתמש להשתמש בציוד זה.

מוצר זה תואם לחלק 15 של כללי ה-FCC. ההפעלה כפופה לשני התנאים הבאים: (1) התקן זה אינו יכול לגרום הפרעה מזיקה, וכן (2) מוצר זה חייב לקבל כל הפרעה, כולל הפרעה שעלולה לגרום לפעולה בלתי רצויה של התקן זה.

קנדה

מתקן דיגיטלי זה אינו חורג ממגבלות Class A עבור פליטת הפרעות רדיו מהתקנים דיגיטליים כפי שנקבע בסטנדרט לציוד הגורם להפרעה ושכותרתו "Digital Apparatus", ICES-003 של Department of Communications

Cet appareil numérique respecte les limites de bruits radioélectriques applicables aux appareils numériques de Classe A prescrites dans la norme sur le matériel brouilleur: "Appareils Numériques," NMB-003 édictée par le ministère des Communications

יפן

VCCI - Class A

この装置は、情報処理装置等電波障害自主規制協議会（VCCI）の基準に基づくクラスA情報技術装置です。この装置を家庭環境で使用すると電波妨害を引き起こすことがあります。この場合には使用者が適切な対策を講ずるよう要求されることがあります。

This device complies with Part 15 of the FCC Rules. Operation is subject to the following two conditions: (1) this device may not cause harmful interference, and (2) this device must accept any interference received, including interference that may cause undesired operation.

This Class A digital apparatus complies with Canadian ICES-003.

Cet appareil numérique de la classe A est conforme à la norme NMB-003 du Canada.

Apparatet må tilkoples jordet stikkontakt.

Laite on liitettävä suojamaadoituskoskettimilla varustettuun pistorasiaan.

この装置は、クラス A 情報技術装置です。この装置を家庭環境で使用すると電波妨害を引き起こすことがあります。この場合には使用者が適切な対策を講ずるよう要求されることがあります。

VCCI-A

אזהרה: זהו מוצר מסוג Class A. בסביבה ביתית, מוצר זה עלול לגרום להפרעות בתקשורת רדיו; במקרה כזה, המשתמש עשוי להידרש לנקוט באמצעים מתאימים.



מוצר זה תואם עם הסטנדרטים EN55022 Class A ו-EN55024.

בטיחות

הודעה לגבי סוללת ליתיום

מוצר זה מכיל סוללת ליתיום שמועדת להחלפה על-ידי טכנאי מוסמך בלבד.

זהירות: סוללת הליתיום עלולה להתפוצץ אם תוחלף בצורה לא נכונה. על טכנאי מוסמך להחליף סוללה סוג בסוג סוללה זהה או שווה ערך שמומלץ על-ידי היצרן. השלך את הסוללה המשומשת בהתאם להוראות היצרן.



הודעה לגבי לייזר

ה-Dell PowerConnect W-6000M3 Controller Module שמשמש עם מוצר זה משתמש במודולים של מקלט/מסדר לייזר שניתן להחלפה בחלק מהיציאות.



זהירות: שימוש בבקורות או התאמות של ביצועים או הליכים השונים מאלה שמצוינים במדריך זה, עלולים לגרום לחשיפה לקרינה מסוכנת.



מוצר זה תואם ל-

21 CFR Chapter 1, Subchapter J, Part 1040.10, and IEC 60825-1: 1993, A1: 1997, A2: 2001, IEC 60825-2: 2000.

כדי שההתאמה לתקני הבטיחות ללייזר אלו תישמר, יש להתקין במוצר רק מודולים מאושרים מסוג Class 1 מהספקים המורשים שלנו.

