

Dell Networking
N1108T-ON/N1108P-ON/
N1108EP-ON/N1124T-ON/
N1124P-ON/N1148T-ON/
N1148P-ON Switches

Getting Started Guide

使用入门指南
入門指南
『はじめに』
설명서는



Regulatory Model: E17W and E18W

Regulatory Type: E17W001/E18W001/E18W002

Dell Networking
N1108T-ON/N1108P-ON/
N1108EP-ON/N1124T-ON/
N1124P-ON/N1148T-ON/
N1148P-ON Switches
Getting Started Guide



Notes, Cautions, and Warnings



NOTE: A NOTE indicates important information that helps you make better use of your switch.



CAUTION: A CAUTION indicates either potential damage to hardware or loss of data and tells you how to avoid the problem.



WARNING: A WARNING indicates a potential for property damage, personal injury, or death.



Lithium battery caution:

- There is a danger of explosion if a battery is incorrectly replaced. Replace only with the same or equivalent type. Dispose batteries of according to the manufacturer's instructions.
- Disposing a battery into fire, a hot oven, mechanically crushing, or cutting it can result in an explosion.
- Leaving a battery in an extremely hot environment can result in leakage of flammable liquid, gas, or an explosion.
- If a battery is subjected to extremely low air pressure, it may result in leakage of flammable liquid, gas, or an explosion.
- The device can only be used in a fixed location such as a lab or a machine room. When you install the device, ensure that the protective earthing connection of the socket-outlet is verified by a skilled person.

© 2019 Dell Inc. or its subsidiaries. All rights reserved. This product is protected by U.S. and international copyright and intellectual property laws. Dell and the Dell logo are trademarks of Dell Inc. in the United States and/or other jurisdictions. All other marks and names mentioned herein may be trademarks of their respective companies.

Regulatory Models: E17W and E18W

May 2019 P/N JJHMV Rev. A01

Contents

1	Introduction	5
	N1100-ON Series Hardware Overview	5
	Power Consumption for N1100-ON Series PoE Switches	5
	Ventilation System	6
	N1100-ON Series Model Summary	7
2	N1108T-ON/N1108P-ON/N1108EP-ON Installation	8
	Mounting an N1108T-ON/N1108P-ON Switch Using Dell Tandem Tray	8
	Mounting an N1108T-ON/N1108P-ON/N1108EP-ON on a Two-Post Rack Using Large L-brackets	9
	Mounting all N11xx-ON Switches on a Wall	10
3	N1124T-ON/N1124P-ON/N1148T-ON/ N1148P-ON Installation	13
	Rack Mounting an N1124T-ON/N1124P-ON/ N1148T-ON/ N1148P-ON Switch.	13
	Installing in a Rack	13
	Installing as a Free-standing Switch.	14
	Stacking Multiple N1124T-ON/N1124P-ON/ N1148T-ON/ N1148P-ON Switches	14

4	Starting and Configuring the N1100-ON Series Switch	15
	Connecting an N1100-ON Series Switch to a Terminal	16
	Connecting an N1100-ON Series Switch to a Power Source	17
	AC and DC Power Connection	17
	Booting the N1100-ON Series Switch	18
	Performing the N1100-ON Series Initial Configuration	19
	Enabling Remote Management	19
	Initial Configuration Procedure	20
	Example Session	21
	Dell Easy Setup Wizard Console Example	22
	Next Steps	26
5	Agency compliance	28
6	Operating Altitude—Information Update	31

Introduction

This document provides basic information about the Dell Networking N1100-ON Series switches, including how to install a switch and perform the initial configuration. For information about how to configure and monitor switch features, refer to the *User Configuration Guide*, which is available on the Dell Support website at dell.com/support. See the Support website for the latest updates on documentation and firmware.



NOTE: Switch administrators are strongly advised to maintain Dell Networking switches on the latest version of the Dell Networking Operating System (DNOS). Dell Networking continually improves the features and functions of DNOS based on feedback from you, the customer. For critical infrastructure, pre-staging of the new release into a non-critical portion of the network is recommended to verify network configuration and operation with the new DNOS version.

N1100-ON Series Hardware Overview

This section contains information about device characteristics and modular hardware configurations for the Dell Networking N1100-ON Series switch.

NOTE: The N1108EP-ON switch uses an external power adaptor. There is no mounting kit available for the N1108EP-ON external power adaptor. When installing the N1108EP-ON, place the external power adaptor away from the switch.

Power Consumption for N1100-ON Series PoE Switches

Table 1-1 describes the power consumption for N1100-ON Series PoE switches. The PoE power budget is 60W for the N1108P-ON, 123W for the N1108EP-ON, 185W for the N1124P-ON, and 370W for the N1148P-ON.

Table 1-1. Power Consumption for N1100-ON Series PoE Switches

Model	Input Voltage	Power Supply Configuration	Maximum Steady Current Consumption (A)	Maximum Steady Power (W)
N1108P-ON	100V/60Hz	Main PSU	0.95A	88.64W
	110V/60Hz	Main PSU	0.87A	88.43W
	120V/60Hz	Main PSU	0.80A	88.22W
	220V/50Hz	Main PSU	0.49A	89.28W
	240V/50Hz	Main PSU	0.45A	89.70W

Model	Input Voltage	Power Supply Configuration	Maximum Steady Current Consumption (A)	Maximum Steady Power (W)
N1108EP-ON	100V/60Hz	54VDC External power adaptor	1.62A	157W
	110V/60Hz	54VDC External power adaptor	1.47A	157W
	120V/60Hz	54VDC External power adaptor	1.35A	157W
	220V/50Hz	54VDC External power adaptor	0.74A	157W
	240V/50Hz	54VDC External power adaptor	0.67A	157W
N1124P-ON	100V/60Hz	Main PSU	2.66A	260.66W
	110V/60Hz	Main PSU	2.38A	257.95W
	120V/60Hz	Main PSU	2.16A	256.27W
	220V/50Hz	Main PSU	1.18A	250.52W
	240V/50Hz	Main PSU	1.10A	251.25W
N1148P-ON	100V/60Hz	Main PSU	4.78A	476.03W
	110V/60Hz	Main PSU	4.32A	472.64W
	120V/60Hz	Main PSU	3.95A	470.58W
	220V/50Hz	Main PSU	2.14A	459.37W
	240V/50Hz	Main PSU	1.97A	459.06W

Ventilation System

One fan cools the N1108T-ON/N1108P-ON switches, and two fans cool the N1024T-ON/N1024P-ON/N1048T-ON/N1048P-ON switches. The fans are not field replaceable. The N1108EP-ON is a fanless switch.

N1100-ON Series Model Summary

Table 1-2. N1100-ON Series Switch Regulatory Numbers

Marketing Model Name (MMN)	Description	Power Supply Unit (PSU)	Regulatory Model Number (RMN)	Regulatory Type Number (RTN)
N1108T-ON	10x1G/2x1G SFP Ports	DPS-24GP	E17W	E17W001
N1108P-ON	10x1G/2x1G SFP/2xPoE+ Ports	DPS-80AP/ DPS-24GP	E17W	E17W001
N1108EP-ON	8x1G PoE+/2x1G PD/2x1G SFP Ports	ADP-280BR	E48W	E48W001
N1124T-ON	24x1G/4x10G SFP+ Ports	DPS-40AP	E18W	E18W001
N1124P-ON	24x1G/4x10G SFP+/6xPoE+ Ports	EDPS-250BF	E18W	E18W001
N1148T-ON	48x1G/4x10G SFP+ Ports	DPS-60AP	E18W	E18W002
N1148P-ON	48x1G/4x10G SFP+/12xPoE+ Port	YM-2501D	E18W	E18W002

N1108T-ON/N1108P-ON/N1108EP-ON Installation

Mounting an N1108T-ON/N1108P-ON Switch Using Dell Tandem Tray

The AC power connector is on the rear panel.

! **WARNING:** Read the safety information in the *Safety and Regulatory Information* as well as the safety information for other switches that connect to or support the switch.

! **WARNING:** Do not use rack mounting kits to suspend the switch from under a table or desk, or attach it to a wall.

! **CAUTION:** Disconnect all cables from the switch before continuing. Remove all self-adhesive pads from the underside of the switch, if they have been attached.

! **CAUTION:** When mounting multiple switches into a rack, mount the switches from the bottom up.

- 1 Secure the N1108T-ON/N1108P-ON switch in the Dell Tandem Tray Kit as shown in Figure 1-1.

Figure 1-1. Dell Tandem Tray Kit



- 2 Insert the switch into the 48.26 cm (19 inch) rack, ensuring that the rack mounting holes on the kit line up to the mounting holes in the rack.

- 3 Secure the kit to the rack with either the rack bolts or cage nuts and cage-nut bolts with washers (depending on the kind of rack you have). Fasten the bolts on the bottom before fastening the bolts on the top.

Mounting an N1108T-ON/N1108P-ON/N1108EP-ON on a Two-Post Rack Using Large L-brackets

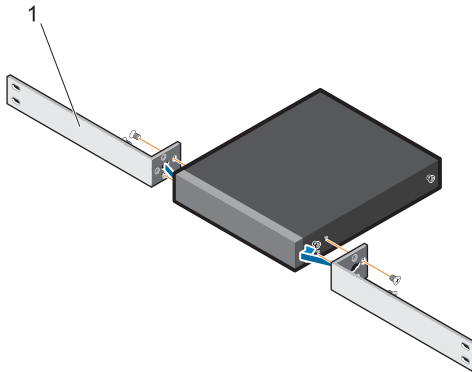
NOTE: The AC power connector is on the rear panel of the N1108T-ON/N1108P-ON switches. The DC power connector for the N1108EP-ON is at the center of the rear panel.

NOTE: The N1108EP-ON switch uses an external power adaptor. There is no mounting kit available for the N1108EP-ON external power adaptor. When installing the N1108EP-ON, place the external power adaptor away from the switch.

CAUTION: As the N1108EP-ON is a fanless switch, do not place the external power adaptor on top of the switch to avoid overheating.

- 1 Place the supplied rack-mounting bracket on one side of the switch making sure that the mounting holes on the switch line up to the mounting holes on the rack mounting bracket. See item 1 in Figure 1-2.

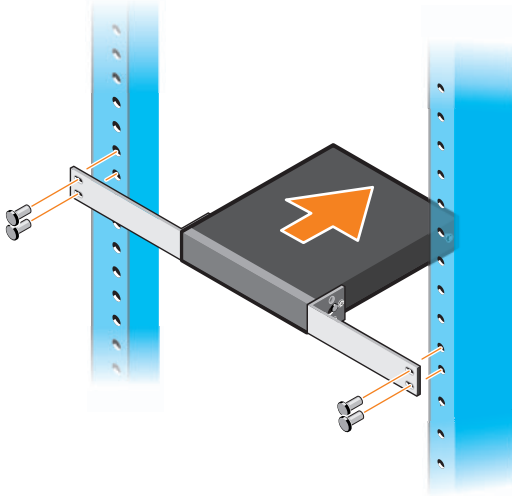
Figure 1-2. Installing Using Large L-bracket Kit



- 2 Insert the supplied screws into the rack mounting holes and tighten with a screwdriver.
- 3 Repeat the process on the other side of the switch.

- 4 Insert the switch and rail assembly into the rack from the front of the rack. Make sure that the rack-mounting holes on the switch line up to the mounting holes on the rack.
- 5 Secure the switch to the rack with the rack screws. Fasten the lower pair of screws before the upper pair of screws. See Figure 1-3.

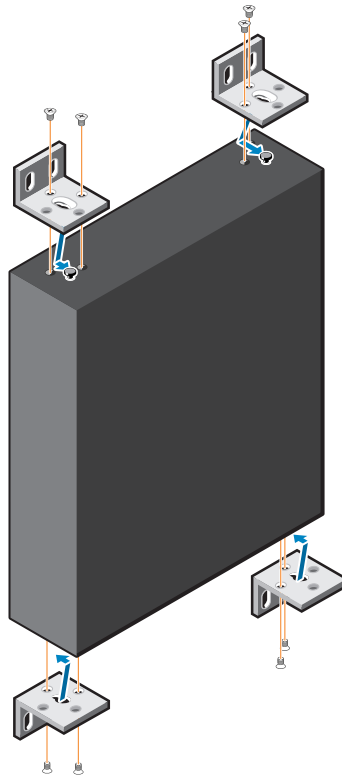
Figure 1-3. Install on a Two-post Rack with L-Bracket



Mounting all N11xx-ON Switches on a Wall

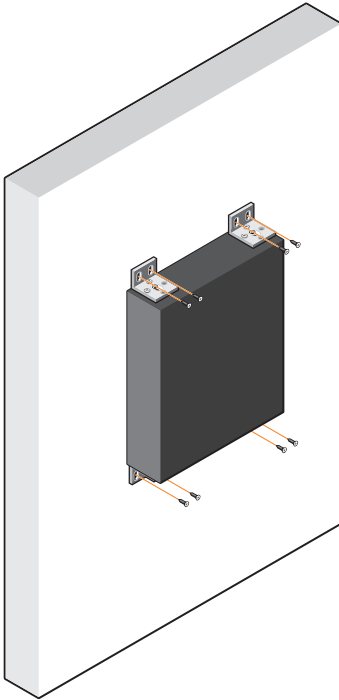
- 1 Make sure that the mounting location meets the following requirements:
 - The surface of the wall can support the switch.
 - The location is ventilated to prevent heat buildup.
- 2 Place the supplied wall-mounting bracket on one side of the switch, verifying that the mounting holes on the switch line up to the mounting holes on the wall-mounting bracket.
- 3 Insert the supplied screws into the wall-mounting bracket holes and tighten with a screwdriver. See Figure 1-4.

Figure 1-4. Inserting Mounting Brackets



- 4** Repeat the process for the wall-mounting bracket on the other side of the switch.
- 5** Place the switch on the wall in the location where the switch is being installed.
- 6** Mark the locations on the wall where the screws to hold the switch must be prepared.
- 7** On the marked locations, drill the holes and place all the eight supplied anchors in the holes.
- 8** Insert the supplied screws into the wall-mounting bracket holes and tighten them with a screwdriver. See Figure 1-5.

Figure 1-5. Mounting on a Wall



N1124T-ON/N1124P-ON/N1148T-ON/ N1148P-ON Installation

Rack Mounting an N1124T-ON/N1124P-ON/ N1148T-ON/ N1148P-ON Switch

! **WARNING:** Read the safety information in the *Safety and Regulatory Information* as well as the safety information for other switches that connect to or support the switch.

The AC power connector is on the rear panel of the switch.

Installing in a Rack

! **WARNING:** Do not use rack mounting kits to suspend the switch from under a table or desk, or attach it to a wall.

△ **CAUTION:** Disconnect all cables from the switch before continuing. Remove all self-adhesive pads from the underside of the switch, if they have been attached.

△ **CAUTION:** When mounting multiple switches into a rack, mount the switches from the bottom up.

- 1 Place the supplied rack-mounting bracket on one side of the switch, ensuring that the mounting holes on the switch line up to the mounting holes in the rack-mounting bracket. Figure 1-6 illustrates where to mount the brackets.

Figure 1-6. Attaching the Brackets



- 2 Insert the supplied bolts into the rack-mounting holes and tighten with a screwdriver.
- 3 Repeat the process for the rack-mounting bracket on the other side of the switch.
- 4 Insert the switch into the 48.26 cm (19 inch) rack, ensuring that the rack-mounting holes on the bracket line up with the mounting holes in the rack.
- 5 Secure the bracket to the rack with either the rack bolts or cage nuts and cage-nut bolts with washers (depending on the kind of rack you have). Fasten the bolts on the bottom before fastening the bolts on the top.



CAUTION: Make sure that the supplied rack bolts fit the pre-threaded holes in the rack.



NOTE: Make sure that the ventilation holes are not obstructed.

Installing as a Free-standing Switch



NOTE: Dell strongly recommends mounting the switch in a rack.

Install the switch on a flat surface if you are not installing it in a rack. The surface must be able to support the weight of the switch and the switch cables. The switch is supplied with four self-adhesive rubber pads.

- 1 Attach the self-adhesive rubber pads on each location marked on the bottom of the switch.
- 2 Set the switch on a flat surface, and make sure that it has proper ventilation by leaving 5 cm (2 inches) on each side and 13 cm (5 inches) at the back.

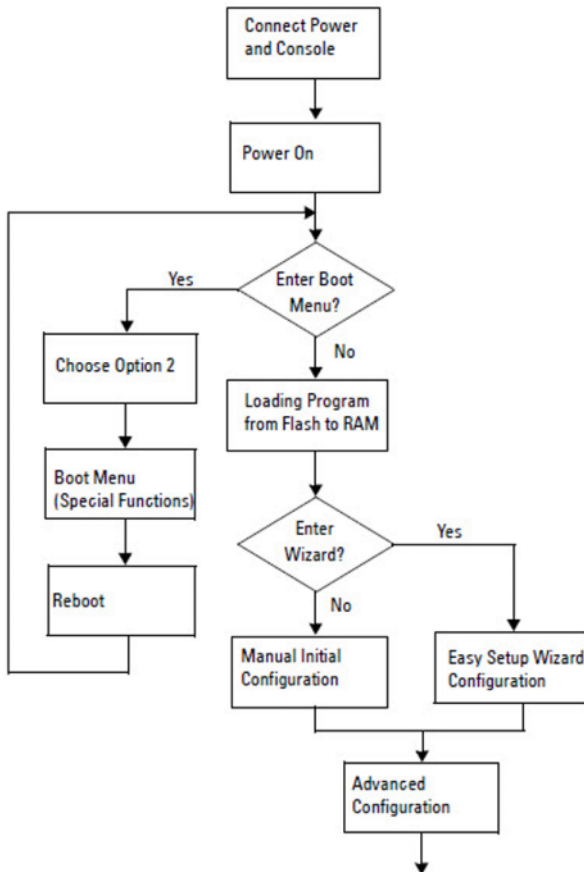
Stacking Multiple N1124T-ON/N1124P-ON/ N1148T-ON/ N1148P-ON Switches

You can stack N1124T-ON/N1124P-ON/N1148T-ON/ N1148P-ON switches up to four switches high using 10G SFP+ ports on the front of the switch. The ports must be configured to support stacking. When multiple switches are connected together through the stack ports, they operate as a single unit with up to 208 front-panel ports. The stack operates and is managed as a single entity. Refer to the *User Configuration Guide* and the *CLI Reference Guide* for more information.

Starting and Configuring the N1100-ON Series Switch

The following flow chart provides an overview of the steps you use to perform the initial configuration after the switch is unpacked and mounted.

Figure 1-7. Installation and Configuration Flow Chart



Connecting an N1100-ON Series Switch to a Terminal

After completing all external connections, configure the switch by connecting it to a terminal.



NOTE: Read the Release Notes for this product before proceeding. You can download the Release Notes from the Dell Support website at dell.com/support.



NOTE: Dell recommends that you obtain the most recent version of the user documentation from the Dell Support website at dell.com/support.

To monitor and configure the switch via the USB console, use the console port on the front panel of the switch to connect it to a computer running VT100 terminal emulation software using the supplied USB cable. It may be necessary to download and install a driver on first use of the USB cable.

The following equipment is required to use the console port:

- VT100-compatible computer with a USB port running VT100 terminal emulation software, such as HyperTerminal® and a USB driver.
- The supplied USB cable with a type B USB connector for the console port and USB connector for the host PC.

Perform the following tasks to connect a terminal to the switch console port:

- 1 Connect the USB type B connector on the supplied switch and connect the other end to a computer running VT100 terminal emulation software.
- 2 Configure the terminal emulation software as follows:
 - a Select the appropriate serial port (for example, COM 1) to connect to the console.
 - b Set the data rate to 115,200 baud.
 - c Set the data format to 8 data bits, 1 stop bit, and no parity.
 - d Set the flow control to none.
 - e Set the terminal emulation mode to VT100.
 - f Select Terminal keys for Function, Arrow, and Ctrl keys. Make sure that the setting is for Terminal keys (not Microsoft Windows keys).
- 3 Connect the USB type B connector on the cable directly to the switch console port. The Dell Networking console port is located on the right side of the front panel and is labeled with a |O|O| symbol.



NOTE: Console access to the stack manager is available from any console port via the local CLI. Only one USB console session at a time is supported.

Connecting an N1100-ON Series Switch to a Power Source



CAUTION: Read the safety information in the *Safety and Regulatory Information* manual as well as the safety information for other switches that connect to or support the switch.

The N1108T-ON and N1108P-ON models have one internal power supply. The power receptacle is on the rear panel. N1108EP-ON uses an external DC power adaptor. The external DC power adaptor

AC and DC Power Connection

- 1 Make sure that the switch console port is connected to a PC running a VT100 terminal emulator via the USB to USB Type B cable.
- 2 Using a 5-foot (1.5 m) standard power cable with safety ground connected, connect the power cable to the AC main receptacle located on the rear panel.

The PoE model switches have a heavy-duty power cable with a notched connector for the switch power receptacle. Use of this type of cable is mandatory for PoE-capable switches.

- 3 Connect the power cable to a grounded AC outlet.

Booting the N1100-ON Series Switch

When the power is turned on with the local terminal already connected, the switch goes through a power-on self-test (POST). POST runs every time the switch is initialized and checks hardware components to determine if the switch is fully operational before completely booting. If POST detects a critical problem, the program flow stops. If POST passes successfully, valid firmware is loaded into RAM. POST messages are displayed on the terminal and indicate test success or failure. The boot process runs for approximately 60 seconds.

You can invoke the **Boot** menu after the first part of the POST is completed. From the **Boot** menu, you can perform configuration tasks such as resetting the system to factory defaults, activating the backup image, or recovering a password. For more information about the **Boot** menu functions, refer to the *CLI Reference Guide*.

Performing the N1100-ON Series Initial Configuration

The initial configuration procedure is based on the following assumptions:

- The Dell Networking switch was never configured before.
- The Dell Networking switch booted successfully.
- The console connection was established, and the **Dell Easy Setup Wizard** prompt appears on the screen of a PC running terminal emulation software.

The initial switch configuration is performed through the console port. After the initial configuration, you can manage the switch from the already-connected console port or remotely through an interface defined during the initial configuration.



NOTE: The switch is not configured with a default user name, password, or IP address.

Before setting up the initial configuration of the switch, obtain the following information from your network administrator:

- The IP address to be assigned to the management interface.
- The IP subnet mask for the network.
- The IP address of the management interface default gateway.

These settings are necessary to allow the remote management of the switch through Telnet (Telnet client) or HTTP (Web browser).

Enabling Remote Management

On the N1100-ON Series switches, you can use any of the switch ports on the front panel for in-band management. By default, all in-band ports are members of VLAN 1.

The **Dell Easy Setup Wizard** includes prompts to configure network information for the VLAN 1 interface on the N1100-ON Series switches. You can assign a static IP address and subnet mask or enable DHCP and allow a network DHCP server to assign the information.

Refer to the *CLI Reference Guide* for commands to configure network information.

Initial Configuration Procedure

Perform the initial configuration by using the **Dell Easy Setup Wizard** or by using the CLI. The wizard automatically starts when the switch configuration file is empty. Exit the wizard at any point by entering [ctrl+z], but all configuration settings specified will be discarded, and the switch will use the default values.



NOTE: If you do not run the **Dell Easy Setup Wizard** or do not respond to the initial Easy Setup Wizard prompt within 60 seconds, the switch enters CLI mode. You must reset the switch with an empty startup configuration in order to rerun the **Dell Easy Setup Wizard**.

For more information about performing the initial configuration by using the CLI, refer to the *CLI Reference Guide*. This *Getting Started Guide* shows how to use the **Dell Easy Setup Wizard** for initial switch configuration. The wizard sets up the following configuration on the switch:

- Establishes the initial privileged user account with a valid password. The wizard configures one privileged user account during the setup.
- Enables CLI login and HTTP access to use the local authentication setting only.
- Sets up the IP address for the VLAN 1 routing interface, of which all in-band ports are members.
- Sets up the SNMP community string to be used by the SNMP manager at a given IP address. Skip this step if SNMP management is not used for this switch.
- Allows you to specify the network management system IP address or permit management access from all IP addresses.
- Configures the default gateway IP address for the VLAN 1 interface.

Example Session

This section describes a **Dell Easy Setup Wizard** session. The following values are used by the example session:

- The SNMP community string to be used is **public**.
- The network management system (NMS) IP address is **10.1.2.100**.
- The user name is **admin**, and the password is **admin123**.
- The IP address for the VLAN 1 routing interface is **10.1.1.200** with a subnet mask of **255.255.255.0**.
- The default gateway is **10.1.1.1**.

The setup wizard configures the initial values as defined above. After completing the wizard, the switch is configured as follows:

- SNMPv2 is enabled and the community string is set up as defined above. SNMPv3 is disabled by default.
- The admin user account is set up as defined.
- A network management system is configured. From the management station, you can access the SNMP, HTTP, and CLI interfaces. You may also choose to allow all IP addresses to access these management interfaces by choosing the (0.0.0.0) IP address.
- An IP address is configured for the VLAN 1 routing interface.
- A default gateway address is configured.



NOTE: In the following example, the possible user options or default values are enclosed in []. If you press <Enter> with no options defined, the default value is accepted. Help text is in parentheses.

Dell Easy Setup Wizard Console Example

The following example contains the sequence of prompts and responses associated with running an example **Dell Easy Setup Wizard** session, using the input values listed earlier.

After the switch completes the POST and is booted, the following dialog appears:

```
Unit 1 - Waiting to select management unit)>
```

```
_____Dell SupportAssist EULA_____
```

```
I accept the terms of the license agreement. You can reject the license agreement by configuring this command 'eula-consent support-assist reject'.
```

```
By installing SupportAssist, you allow Dell to save your contact information (e.g. name, phone number and/or email address) which would be used to provide technical support for your Dell products and services Dell may use the information for providing recommendations to improve your IT infrastructure. Dell SupportAssist also collects and stores machine diagnostic information, which may include but is not limited to configuration information, user supplied contact information, names of data volumes, IP addresses, access control lists, diagnostics & performance information, network configuration information, host/server configuration & performance information and related data (Collected Data) and transmits this information to Dell. By downloading SupportAssist and agreeing to be bound by these terms and the Dell end user license agreement, available at: http://www.dell.com/aeula, you agree to allow Dell to provide remote monitoring services of your IT environment and you give Dell the right to collect the Collected Data in accordance with Dell's Privacy Policy, available at: http://www.dell.com/privacypolicycountryspecific, in order to enable the performance of all of the various functions of SupportAssist during your entitlement to
```

receive related repair services from Dell. You further agree to allow Dell to transmit and store the Collected Data from SupportAssist in accordance with these terms. You agree that the provision of SupportAssist may involve international transfers of data from you to Dell and/or to Dell's affiliates, subcontractors or business partners. When making such transfers, Dell shall ensure appropriate protection is in place to safeguard the Collected Data being transferred in connection with SupportAssist. If you are downloading SupportAssist on behalf of a company or other legal entity, you are further certifying to Dell that you have appropriate authority to provide this consent on behalf of that entity. If you do not consent to the collection, transmission and/or use of the Collected Data, you may not download, install or otherwise use SupportAssist.

AeroHive HiveManager NG EULA

This switch includes a feature that enables it to work with HiveManager (an optional management suite), by sending the switch's service tag number and IP Address to HiveManager to authenticate your entitlement to use HiveManager. If you wish to disable this feature, you should run command 'eula-consent hiveagent reject' immediately upon powering up the switch for the first time, or at any time thereafter.

Applying Global configuration, please wait...

Welcome to Dell Easy Setup Wizard

The setup wizard guides you through the initial switch configuration, and gets you up and running as quickly as possible. You can skip the setup wizard, and enter CLI mode to manually configure the switch. You must respond to the next question to run the setup wizard within 60 seconds, otherwise the system will continue

with normal operation using the default system configuration. Note: You can exit the setup wizard at any point by entering [ctrl+z].

Would you like to run the setup wizard (you must answer this question within 60 seconds)? [Y/N] **y**

Step 1:

The system is not set up for SNMP management by default. To manage the switch using SNMP (required for Dell Network Manager) you can

- . Set up the initial SNMP version 2 account now.
- . Return later and set up other SNMP accounts. (For more information on setting up an SNMP version 1 or 3 account, see the user documentation).

Would you like to set up the SNMP management interface now? [Y/N] **y**

To set up the SNMP management account you must specify the management system IP address and the "community string" or password that the particular management system uses to access the switch. The wizard automatically assigns the highest access level [Privilege Level 15] to this account. You can use Dell Network Manager or other management interfaces to change this setting, and to add additional management system information later. For more information on adding management systems, see the user documentation.

To add a management station:

Please enter the SNMP community string to be used.

[public]: **public**



NOTE: If it is configured, the default access level is set to the highest available access for the SNMP management interface. Initially only SNMPv2 will be activated. SNMPv3 is disabled until you return to configure security access for SNMPv3 (e.g. engine ID, view, etc.).

Please enter the IP address of the Management System (A.B.C.D) or wildcard (0.0.0.0) to manage from any Management Station. [0.0.0.0]: **10.1.2.100**

Step 2:

Now we need to set up your initial privilege (Level 15) user account. This account is used to login to the CLI and Web interface. You may set up other accounts and change privilege levels later. For more information on setting up user accounts and changing privilege levels, see the user documentation.

To set up a user account:

```
Please enter the user name. [root]:admin
Please enter the user password: *****
Please reenter the user password: *****
```

Step 3:

Next, an IP address is set up on the VLAN 1 routing interface.

You can use the IP address to access the CLI, Web interface, or SNMP interface of the switch.

To access the switch through any Management Interface you can

- . Set up the IP address for the Management Interface.
- . Set up the default gateway if IP address is manually configured on the routing interface.

Step 4:

```
Would you like to set up the VLAN1 routing interface now? [Y/N] y
```

```
Please enter the IP address of the device (A.B.C.D) or enter "DHCP" (without the quotes) to automatically request an IP address from the network DHCP server:  
10.1.1.200
```

```
Please enter the IP subnet mask (A.B.C.D or /nn):  
255.255.255.0
```

Step 5:

Finally, set up the default gateway. Please enter the IP address of the gateway from which this network is reachable. [0.0.0.0]: **10.1.1.1**

This is the configuration information that has been collected:

```
SNMP Interface = "public"@10.1.2.100
User Account setup = admin
Password = *****
VLAN1 Router Interface IP = 10.1.1.200 255.255.255.0
Default Gateway = 10.1.1.1
```

Step 6:

If the information is correct, please enter (Y) to save the configuration and copy the settings to the start-up configuration file. If the information is incorrect, enter (N) to discard the configuration and restart the wizard: [Y/N] **y**

Thank you for using the Dell Easy Setup Wizard. You will now enter CLI mode.

Applying Interface configuration, please wait...

Next Steps

After completing the initial configuration described in this section, connect any of the front-panel switch ports to a production network for in-band remote management.

If you specified DHCP for the VLAN 1 management interface IP address, the interface will acquire its IP address from a DHCP server on the network. To discover the dynamically assigned IP address, use the console port connection to issue the following command:

- For the VLAN 1 routing interface, enter **show ip interface**.

To access the Dell OpenManage Switch Administrator interface, enter the VLAN 1 management interface IP address into the address field of a Web browser. For remote management access to the CLI, enter the VLAN 1 management interface IP address into a Telnet or SSH client. Alternatively, continue to use the console port for local CLI access to the switch.

The N1100-ON Series switches support basic switching features such as VLANs and spanning tree protocol. Use the Web-based management interface or the CLI to configure the features your network requires. For information about how to configure the switch features, refer to the *User Configuration Guide* or *CLI Reference Guide* available on the support site: dell.com/support.

Agency compliance

The N1108T-ON, N1108P-ON, N1108EP-ON, N1124T-ON, N1124P-ON, N1148T-ON, and N1148P-ON switches comply with the following safety and agency requirements:

Japan VCCI compliance for class A equipment

Figure 1-8. Japan: VCCI compliance for class A equipment

この装置は、クラスA機器です。この装置を住宅環境で使用すると電波妨害を引き起こすことがあります。この場合には使用者が適切な対策を講ずるよう要求されることがあります。

VCCI – A

This is Class A product based on the standard of the Voluntary Control Council For Interference by Information Technology Equipment (VCCI). If this equipment is used in a domestic environment, radio disturbance may arise. When such trouble occurs, the user may be required to take corrective actions.

WARNING: Use the AC power cords with Dell EMC equipment only. Do not use Dell EMC AC power cords with any unauthorized hardware.

Figure 1-9. Japan: warning label

本製品に同梱いたしております電源コードセットは、本製品専用です。本電源コードセットは、本製品以外の製品ならびに他の用途でご使用いただくことは出来ません。製品本体には同梱された電源コードセットを使用し、他製品の電源コードセットを使用しないで下さい。

India certification of compliance


The product conforms to the relevant *Essential Requirements of Telecommunication Engineering Centre (TEC)* regulations.

Korean certification of compliance

Figure 1-10. Korean certification of compliance

A급 기기 (업무용 방송통신기자재)	이 기기는 업무용(A급) 전자파적합기기로서 판매자 또는 사용자는 이 점을 주의하시기 바라며, 가정외의 지역에서 사용하는 것을 목적으로 합니다.
------------------------	---

Figure 1-11. Korean package label

	 <i>[equipment type]</i>
품명(Product Name)	Ethernet Switch
모델명(Model)	<i>[model number]</i>
신청인(Applicant)	Dell Technologies
제조사(Manufacturer)	
제조년월(Manufacturing Date)	<i>[date]</i>
제조국(Country of Origin)	China

Safety standards and compliance agency certifications

- IEC 62368-1, 2nd Edition
- CUS UL 60950-1, 2nd Edition
 - Meets or exceeds Hi Pot and Ground Continuity testing per UL 60950-1.
- AS/NZS 60950
- CSA 60950-1-03, 2nd Edition
- EN 60950-1, 2nd Edition
- EN 60825-1, 1st Edition
- EN 60825-1 Safety of Laser Products—Part 1: Equipment Classification Requirements and User’s Guide

- EN 60825-2 Safety of Laser Products—Part 2: Safety of Optical Fibre Communication Systems
- FDA Regulation 21CFR 1040.10 and 1040.11
- IEC 60950-1, 2nd Ed, including all National Deviations and Group Differences

Electromagnetic compatibility

Emissions

- International: CISPR 32: Class A
- Australia/New Zealand: AS/NZS CISPR 32, Class A
- Canada: ICES-003, Issue-4, Class A
- Europe: EN55032:2015 (CISPR 32), Class A
- EN55032
- Japan: VCCI Class A
- Korea: KN32, Class A
- Taiwan: CNS13438, Class A
- USA: FCC CFR47 Part 15, Subpart B, Class A

Immunity

- EN 300 386 EMC for Network Equipment
- EN 55024
- EN 61000-3-2 Harmonic Current Emissions
- EN 61000-3-3 Voltage Fluctuations and Flicker
- EN 61000-4-2 ESD
- EN 61000-4-3 Radiated Immunity
- EN 61000-4-4 EFT
- EN 61000-4-5 Surge
- EN 61000-4-6 Low Frequency Conducted Immunity

Product recycling and disposal

You must recycle or discard this system according to applicable local and national regulations. Dell EMC encourages owners of information technology (IT) equipment to responsibly recycle their equipment when it is no longer needed. Dell EMC offers a variety of product return programs and services in several countries to assist equipment owners in recycling their IT products.

Operating Altitude—Information Update



NOTE: The operating altitude restriction provided in this document is applicable only to systems shipping to China.

The following information is in compliance with the requirements of the official Chinese standards:

- The operating altitude is in the range of –15.2m to 2000m (–50 ft to 6560 ft).

For altitudes above 2950 ft, the maximum operating temperature is derated 1°F/550 ft..

戴尔网络
N1108T-0N/N1108P-0N/
N1108EP-0N/N1124T-0N/
N1124P-0N/N1148T-0N/
N1148P-0N 交换机
使用入门指南



注意、小心和警告



注：“注意”表示可以帮助您更好地使用交换机的重要信息。



小心：“小心”表示可能会损坏硬件或导致数据丢失，并说明如何避免此类问题。



警告：“警告”表示可能会造成财产损失、人身伤害甚至死亡。



锂电池注意事项：

- 如果未正确地更换电池，则有发生爆炸的危险。请仅使用相同或同等类型的电池进行更换。按照制造商的说明处理电池。
- 将电池放入火中或热烤箱、机械地压碎或切割，都可能导致爆炸。
- 将电池放置在极热环境下，可能会导致易燃液体或气体泄漏，甚至造成爆炸。
- 如果电池处于极低的气压下，可能会导致易燃液体或气体泄漏，甚至造成爆炸。
- 只能在固定位置（如实验室或机房）使用该设备。当您安装设备时，请确保让专业人员检查插槽 - 插座的保护性接地连接。

©2019 Dell Inc. 或其子公司。保留所有权利。本产品受美国和国际著作权和知识产权法律保护。Dell 和 Dell 徽标是 Dell Inc. 在美国和 / 或其他管辖区域的商标。此处提及的所有其他商标和产品名称可能是其各自所属公司的商标。

管制型号：E17W 和 E18W

2019 年 5 月 序列号 JJHMV 修订版 A01

目录

1 简介	37
N1100-ON 系列 硬件概览	37
N1100-ON 系列 PoE 交换机的功耗	37
通风系统	38
N1100-ON 系列 型号摘要	39
2 N1108T-ON/N1108P-ON/N1108EP-ON 安装	40
使用 Dell Tandem 托盘安装 N1108T-ON/ N1108P-ON 交换机	40
使用大号 L 型支架在双柱机架上安装 N1108T-ON/N1108P-ON/N1108EP-ON	41
在墙上安装所有 N11xx-ON 交换机	42
3 N1124T-ON/N1124P-ON/N1148T-ON/ N1148P-ON 安装	45
使用机架安装 N1124T-ON/N1124P-ON/N1148T-ON/ N1148P-ON 交换机	45
在机架中安装	45
安装为独立式交换机	46
堆叠多个 N1124T-ON/N1124P-ON/ N1148T-ON/ N1148P-ON 交换机	46

4	启动和配置 N1100-ON 系列交换机	47
	将 N1100-ON 系列 交换机连接到终端	48
	N1100-ON 系列将 交换机连接到电源	49
	交流和直流电源连接	49
	启动 N1100-ON 系列 交换机	50
	执行 N1100-ON 系列 初始配置	51
	启用远程管理	51
	初始配置步骤	52
	示例会话	53
	Dell 轻松设置向导 控制台示例	54
	后续步骤	58
5	机构合规性	60
6	工作海拔高度 - 信息更新	63

简介

本说明文件提供有关 戴尔网络 N1100-ON 系列 交换机的基本信息，包括如何安装交换机和执行初始配置。有关如何配置和监测交换机功能的信息，请参阅 *User Configuration Guide*（用户配置指南），该指南可从 Dell 支持网站 dell.com/support 下载。请参阅支持网站以获得有关说明文件和固件的最新更新。



注：强烈建议交换机管理员将 戴尔网络 交换机上的 戴尔网络 操作系统 (DNOS) 保持为最新版本。戴尔网络 不断根据客户的反馈改善 DNOS 的特性和功能。对于关键的基础架构，建议将新版本预部署到网络的非关键部分，以使用新的 DNOS 版本验证网络配置和操作。

N1100-ON 系列 硬件概览

本节包含有关 戴尔网络 N1100-ON 系列 交换机的设备特性和模块化硬件配置信息。

注：N1108EP-ON 交换机使用外部电源适配器。不提供用于 N1108EP-ON 外部电源适配器的安装套件。安装 N1108EP-ON 时，将外部电源适配器放到远离交换机的位置。

N1100-ON 系列 PoE 交换机的功耗

表 1-1 介绍了 N1100-ON 系列 PoE 交换机的功耗。PoE 电源预算如下：N1108P-ON 为 60 W，N1108EP-ON 为 123 W，N1124P-ON 为 185 W，N1148P-ON 为 370 W。

表 1-1. N1100-ON 系列 PoE 交换机的功耗

型号	输入电压	电源配置	最大稳定电流消耗 (A)	最大稳定功耗 (W)
N1108P-ON	100V/60Hz	主 PSU	0.95A	88.64W
	110V/60Hz	主 PSU	0.87A	88.43W
	120V/60Hz	主 PSU	0.80A	88.22W
	220V/50Hz	主 PSU	0.49A	89.28W
	240V/50Hz	主 PSU	0.45A	89.70W

型号	输入电压	电源配置	最大稳定电流消耗 (A)	最大稳定功耗 (W)
N1108EP-ON	100V/60Hz	54VDC 外部电源适配器	1.62 A	157 W
	110V/60Hz	54VDC 外部电源适配器	1.47 A	157 W
	120V/60Hz	54VDC 外部电源适配器	1.35 A	157 W
	220V/50Hz	54VDC 外部电源适配器	0.74 A	157 W
	240V/50Hz	54VDC 外部电源适配器	0.67 A	157 W
N1124P-ON	100V/60Hz	主 PSU	2.66A	260.66W
	110V/60Hz	主 PSU	2.38A	257.95W
	120V/60Hz	主 PSU	2.16A	256.27W
	220V/50Hz	主 PSU	1.18A	250.52W
	240V/50Hz	主 PSU	1.10A	251.25W
N1148P-ON	100V/60Hz	主 PSU	4.78A	476.03W
	110V/60Hz	主 PSU	4.32A	472.64W
	120V/60Hz	主 PSU	3.95A	470.58W
	220V/50Hz	主 PSU	2.14A	459.37W
	240V/50Hz	主 PSU	1.97A	459.06W

通风系统

一台风扇冷却 N1108T-ON/N1108P-ON 交换机，两台风扇冷却 N1024T-ON/N1024P-ON/N1048T-ON/N1048P-ON 交换机。风扇无法现场更换。N1108EP-ON 是无风扇交换机。

N1100-ON 系列 型号摘要

表 1-2. N1100-ON 系列 交换机管制编号

营销型号名称 (MMN)	说明	电源设备 (PSU)	管制型号 (RMN)	管制型号 (RTN)
N1108T-ON	10x1G/2x1G SFP 端口	DPS-24GP	E17W	E17W001
N1108P-ON	10x1G/2x1G SFP/2xPoE+ 端口	DPS-80AP/ DPS-24GP	E17W	E17W001
N1108EP-ON	8x1G PoE+/2x1G PD/2x1G SFP 端口	ADP-280BR	E48W	E48W001
N1124T-ON	24x1G/4x10G SFP+ 端口	DPS-40AP	E18W	E18W001
N1124P-ON	24x1G/4x10G SFP+/6xPoE+ 端口	EDPS-250BF	E18W	E18W001
N1148T-ON	48x1G/4x10G SFP+ 端口	DPS-60AP	E18W	E18W002
N1148P-ON	48x1G/4x10G SFP+/12xPoE+ 端口	YM-2501D	E18W	E18W002

N1108T-ON/N1108P-ON/N1108EP-ON 安装

使用 Dell Tandem 托盘安装 N1108T-ON/N1108P-ON 交换机

交流电源适配器位于背面板上。

⚠ 警告： 请阅读 *安全和管制信息* 中的安全信息以及连接到或支持此交换机的其他交换机的安全信息。

⚠ 警告： 请勿使用机架安装套件在桌下悬挂交换机或将其挂在墙上。

⚠ 小心： 断开所有电缆与交换机的连接，然后才可继续操作。从交换机下方卸下所有自粘垫（如果已粘贴）。

⚠ 小心： 在将多台交换机安装到机架中时，请倒置安装交换机。

- 1 将 N1108T-ON/N1108P-ON 交换机固定到 Dell Tandem 托盘套件中，如图 1-1 所示。

图 1-1. Dell 串联托盘套件



- 2 将交换机插入 48.26 厘米（19 英寸）机架中，确保套件上的机架安装孔对准机架上的安装孔。
- 3 使用机架螺栓将套件固定到机架上，也可以使用锁紧螺帽、锁紧螺帽螺栓和垫圈固定（具体取决于您所拥有的机架类型）。先拧紧底部的螺栓，然后再拧紧顶部的螺栓。

使用大号 L 型支架在双柱机架上安装 N1108T-ON/N1108P-ON/N1108EP-ON

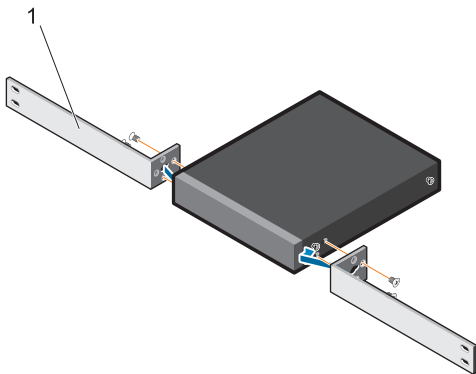
注：交流电源连接器位于 N1108T-ON/N1108P-ON 交换机的背面板上。适用于 N1108EP-ON 的直流电源连接器位于背面板的中央。

注：N1108EP-ON 交换机使用外部电源适配器。不提供用于 N1108EP-ON 外部电源适配器的安装套件。安装 N1108EP-ON 时，将外部电源适配器放到远离交换机的位置。

小心：N1108EP-ON 是无风扇交换机，请勿将外部电源适配器放到交换机顶部，以避免过热。

- 1 将随附的机架安装支架置于交换机的一侧，确保交换机上的安装孔与机架安装支架上的安装孔对齐。请参阅图 1-2 中的项目 1。

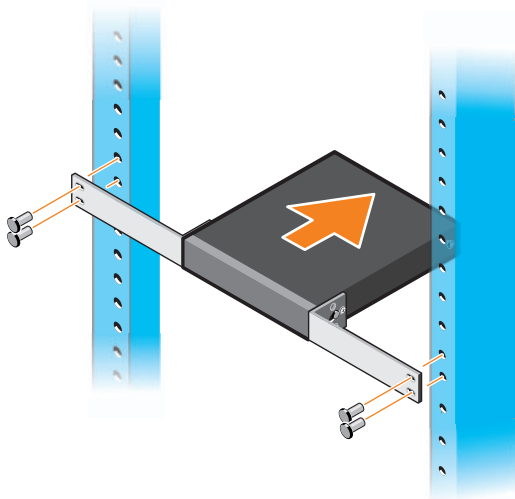
图 1-2. 使用大号 L 型支架套件进行安装



- 2 将随附的螺钉插入机架安装孔，然后用螺丝刀拧紧。
- 3 在交换机另一侧重复步骤。

- 4 将交换机和导轨部件从机架正面插入机架。确保交换机上的机架安装孔与机架上的安装孔对齐。
- 5 使用机架螺钉将交换机固定到机架。在上面一对螺钉之前拧紧下面的一对螺钉。图 1-3。

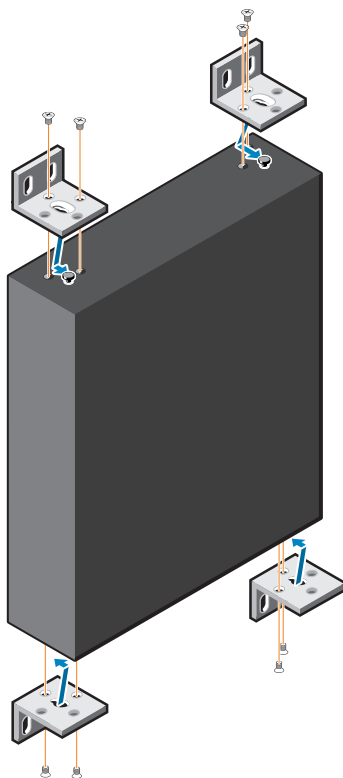
图 1-3. 使用 L 型支架安装到双柱机架上



在墙上安装所有 N11xx-0N 交换机

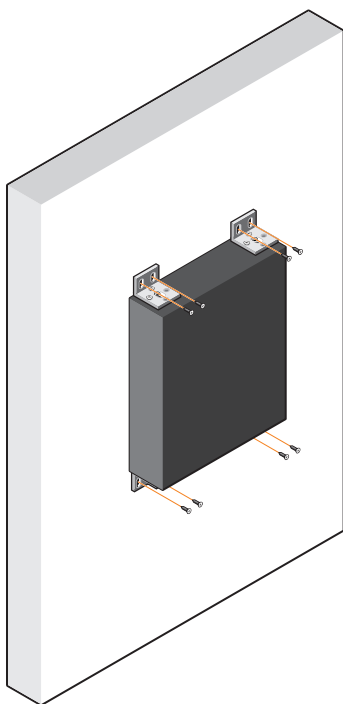
- 1 确保安装位置符合以下要求
 - 墙壁的表面可支撑交换机。
 - 该位置必须保持通风以防高温。
- 2 将随附的墙壁式安装托座置于交换机的一侧，确保交换机上的安装孔与墙壁式安装托座上的安装孔对齐。
- 3 将随附的螺钉插入墙壁式安装托座孔，然后用螺丝刀拧紧。图 1-4。

图 1-4. 插入安装支架



- 4 对交换机另一侧的墙壁式安装托座重复相同的操作过程
- 5 将交换机置于墙上要安装的位置
- 6 必须在墙上标记出固定交换机所需的螺钉位置。
- 7 在标记的位置钻孔并将所有八个提供的锚点放入孔。
- 8 将随附的螺钉插入墙壁式安装支架孔并用螺丝刀拧紧。请参阅图 1-5。

图 1-5. 安装到墙上



N1124T-0N/N1124P-0N/N1148T-0N/ N1148P-0N 安装

使用机架安装 N1124T-0N/N1124P-0N/N1148T-0N/N1148P-0N 交换机

⚠ 警告： 请阅读 *安全和管制信息* 中的安全信息以及连接到或支持此交换机的其他交换机的安全信息。

交流电源接口位于交换机的背板上。

在机架中安装

⚠ 警告： 请勿使用机架安装套件在桌下悬挂交换机或将其挂在墙上。

⚠ 小心： 断开所有电缆与交换机的连接，然后才可继续操作。从交换机下方卸下所有自粘垫（如果已粘贴）。

⚠ 小心： 在将多台交换机安装到机架中时，请倒置安装交换机。

- 1 将随附的机架安装支架放置在交换机的一侧，确保交换机上的安装孔对准机架安装支架上的安装孔。图 1-6 说明机架的安装位置。


图 1-6. 安装支架




- 2 将附带的螺栓插入机架安装孔，然后用螺丝刀拧紧。
- 3 重复此过程，以安装交换机另一侧的机架安装支架。

- 4 将交换机插入 48.26 厘米（19 英寸）机架中，确保支架上的机架安装孔对准机架上的安装孔。
- 5 使用机架螺栓将支架固定到机架上，也可以使用锁紧螺帽、锁紧螺帽螺栓和垫圈固定（具体取决于您所拥有的机架类型）。先拧紧底部的螺栓，然后再拧紧顶部的螺栓。

 **小心：**请确保随附的机架螺栓适合机架上的预攻丝螺孔。

 **注：**确保不要堵塞通风孔。

安装为独立式交换机

 **注：**Dell 强烈建议将交换机安装到机架中。

如果您不想在机架中安装交换机，请将其安装在平坦的表面上。表面必须能够承受交换机和交换机电缆的重量。交换机附带四个自粘橡胶垫。

- 1 在交换机底部标记的每个位置贴上自粘橡胶垫。
- 2 将交换机放在一个平坦的表面，并在两侧各留 5 厘米（2 英寸）空间，背面留出 13 厘米（5 英寸）空间，确保适当的通风。

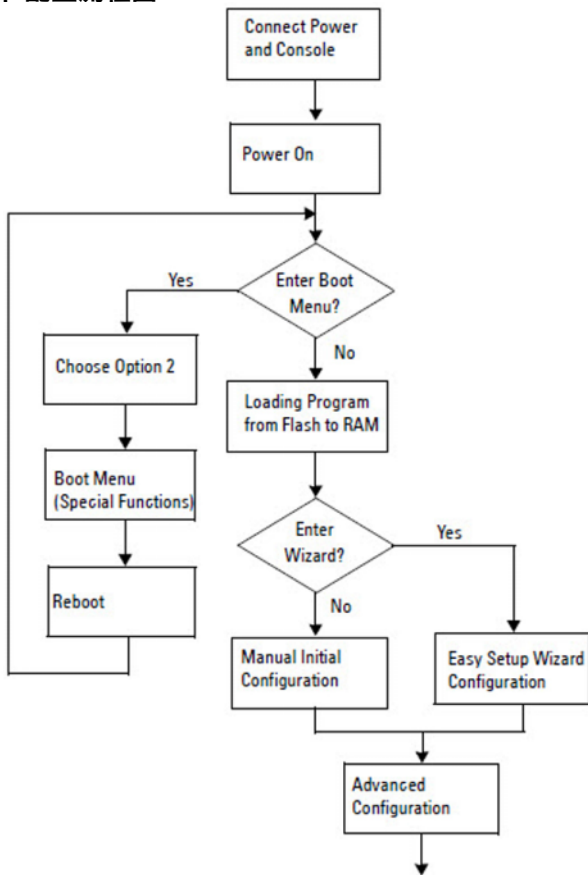
堆叠多个 N1124T-ON/N1124P-ON/ N1148T-ON/ N1148P-ON 交换机

您可以使用交换机前端的 10G SFP+ 端口堆叠最多四台 N1124T-ON/N1124P-ON/N1148T-ON/ N1148P-ON 交换机。端口必须配置为支持堆叠。当多个交换机通过堆叠端口连接在一起时，它们作为拥有多达 208 个前面板端口的单一设备运行。堆栈作为单个实体运行和管理。请参阅 *User Configuration Guide*（《用户配置指南》）和 *CLI Reference Guide*（《CLI 参考指南》）了解详情。

启动和配置 N1100-0N 系列交换机

下面的流程图简要介绍在交换机拆包和安装后执行初始配置的步骤。

图 1-7. 安装和配置流程图



将 N1100-ON 系列 交换机连接到终端

在完成所有外部连接后，将交换机连接至终端，对它进行配置。



注：请先阅读本产品的发行说明，然后继续。您可以从 Dell 支持网站 dell.com/support 下载发行说明。



注：Dell 建议您从 Dell 支持网站 dell.com/support 获取最新版本的用户说明文件。

要通过 USB 控制台监测和配置交换机，请使用交换机前面板上的控制台端口和附带的 USB 电缆将交换机连接到运行 VT100 终端仿真软件的计算机。首次使用 USB 电缆时可能需要下载和安装驱动程序。

使用控制台端口时需要以下设备：

- 兼容 VT100 并运行 VT 100 终端仿真软件的计算机（如 HyperTerminal®）和 USB 驱动程序。
- 附带的 USB 电缆，它具有针对控制台端口的类型 B USB 接头和针对主机 PC 的 USB 连接器。


执行下列任务将终端连接到交换机控制台端口：

- 1 将 USB 类型 B 接头连接到附带的交换机，然后将另一端连接到运行 VT100 终端仿真软件的计算机。
- 2 按照以下步骤配置终端仿真软件：
 - a 选择要连接到控制台的相应串行端口（如 COM 1）。
 - b 将数据速率设置为 115,200 波特。
 - c 将数据格式设置为 8 data bits、1 stop bit 及 no parity。
 - d 将流控制设置为无。
 - e 将终端仿真模式设置为 VT100。
 - f 选择用于功能键、箭头键和控制键的终端键。确保设置针对的是终端键（而不是 Microsoft Windows 键）。
- 3 将电缆上的 USB 类型 B 接头直接连接到交换机的控制台端口。戴尔网络控制台端口位于前面板的右侧，标有 |O|O| 符号。



注：控制台可通过本地 CLI 从任何控制台端口访问 Stack Manager。一次只支持一个 USB 控制台会话。

N1100-ON 系列将 交换机连接到电源

 **小心：** 请阅读 *安全和管制信息手册* 中的安全信息以及连接到或支持本交换机的其他交换机的安全信息。

N1108T-ON 和 N1108P-ON 型号附带一个内置电源。电源插座位于背面板。N1108EP-ON 使用外部直流电源适配器。外部直流电源适配器

交流和直流电源连接

- 1 确保交换机控制台端口通过 USB 至 USB 类型 B 电缆连接到运行 VT100 终端仿真器的 PC。
- 2 使用 5 英尺（1.5 米）标准电源电缆将电源电缆连接到背面板上的交流总电源插座，并进行安全接地。

PoE 型号交换机具有一根重型电源电缆，电缆上带有针对交换机电源插座的凹槽接头。对于支持 PoE 的交换机来说必须使用此类电缆连接。
- 3 将电源电缆连接至接地的交流电源插座。

启动 N1100-0N 系列 交换机

在已连接本地终端的情况下打开电源时，交换机将执行开机自检 (POST)。交换机每次初始化时都会运行 POST，检查硬件组件以确定交换机是否全面运行，然后再全面引导。如果 POST 检测到致命问题，程序就会停止。如果 POST 成功通过，有效的固件将加载到 RAM 中。终端上显示 POST 信息，指出测试是否成功。引导过程将运行大约 60 秒。


您可以在完成 POST 第一部分后调用 **Boot**（引导）菜单。从 **Boot**（引导）菜单，您可以执行配置任务，例如恢复系统出厂默认值、激活备份映像或找回密码。有关 **Boot**（引导）菜单功能的更多信息，请参阅 *CLI Reference Guide*（《CLI 参考指南》）。

执行 N1100-ON 系列 初始配置

初始配置过程基于以下前提：

- 戴尔网络 交换机以前从未进行配置。
- 戴尔网络 交换机已经成功引导。
- 已建立控制台连接，并且 **Dell 轻松设置向导** 提示符出现在运行终端仿真软件的 PC 屏幕上。

通过控制台端口执行交换机初始配置。在初始配置后，您可以从已连接的控制台端口管理交换机，或通过在初始配置过程中定义的接口进行远程管理。

 **注：** 交换机未使用默认的用户名、密码和 IP 地址进行配置。

在设置交换机的初始配置前，请从网络管理员处获取以下信息：

- 要分配给管理接口的 IP 地址。
- 网络的 IP 子网掩码。
- 管理接口默认网关的 IP 地址。

通过 Telnet（Telnet 客户端）或 HTTP（Web 浏览器）远程管理交换机时需要这些设置。

启用远程管理

在 N1100-ON 系列 交换机上，您可以使用前面板上的任意交换机端口来执行带内管理。默认情况下，所有带内端口是 VLAN 1 的成员。

Dell 轻松设置向导 包括在 N1100-ON 系列 交换机上配置 VLAN 1 接口的网络信息的提示。您可以分配一个静态 IP 地址和子网掩码，或启用 DHCP 并允许网络 DHCP 服务器分配信息。

请参阅 *CLI Reference Guide*（CLI 参考指南）以了解配置网络信息的命令。

初始配置步骤

通过使用 **Dell 轻松设置向导** 或 CLI 执行初始配置。当交换机配置文件为空时，该向导会自动启动。随时按 [ctrl + z] 可退出该向导，但将放弃指定的所有配置设置，并且交换机将使用默认值。



注：如果您不运行 **Dell 轻松设置向导** 或 60 秒内未响应初始的轻松设置向导提示，交换机将进入 CLI 模式。您必须将交换机重置为空启动配置才会返回 **Dell 轻松设置向导**。

有关通过使用 CLI 执行初始配置的更多信息，请参阅 *CLI Reference Guide*（CLI 参考指南）。本 *使用入门指南* 指示如何使用 **Dell 轻松设置向导** 执行交换机初始配置。此向导在交换机上设置以下配置：

- 建立具有有效密码的初始特权用户帐户。向导会在设置期间配置一个有特权的用户帐户。
- 启用 CLI 登录和 HTTP 访问以仅使用本地身份验证设置。
- 设置 VLAN 1 路由接口的 IP 地址，该接口的所有带内端口均为成员。
- 设置 SNMP 管理器在指定 IP 地址上使用的 SNMP 团体字符串。如果 SNMP 管理不用于此交换机，请跳过此步骤。
- 您可以指定网络管理系统的 IP 地址或从任何 IP 地址进行管理。
- 配置 VLAN 1 接口的默认网关 IP 地址。

示例会话

本节介绍 Dell 轻松设置向导 会话。示例会话使用以下值：

- 将使用的 SNMP 社区字符串是**公共的**。
- 网络管理系统 (NMS) 的 IP 地址为 10.1.2.100。
- 用户名为 ADMIN，密码为 admin123。
- VLAN 1 路由接口的 IP 地址为 10.1.1.200，子网掩码为 255.255.255.0。
- 默认网关为 10.1.1.1。

设置向导按照上述定义配置初始值。完成向导后，交换机配置如下：

- SNMPv2 已启用并且社区字符串按照上述定义设置。默认情况下，SNMPv3 处于禁用状态。
- 管理用户帐户按照定义设置。
- 网络管理系统已配置。在管理站中，您可以访问 SNMP、HTTP 和 CLI 接口。您还可以通过选择 (0.0.0.0) IP 地址使所有 IP 地址可以访问这些管理接口。
- 已配置 VLAN 1 路由接口的 IP 地址。
- 已配置默认网关地址。



注：在以下示例中，可用的用户选项或默认值位于大括号 [] 中。在未选定选项的情况下按下 <Enter> 键，将接受默认值。帮助文本位于圆括号中。

Dell 轻松设置向导 控制台示例

以下示例包含与使用上文所列的输入值运行示例 **Dell 轻松设置向导** 会话相关联的提示和响应顺序。

在交换机完成 POST 和引导后，将显示以下对话框：

```
Unit 1 - Waiting to select management unit)>
```

```
_____Dell SupportAssist EULA_____
```

```
I accept the terms of the license agreement. You can reject the license agreement by configuring this command 'eula-consent support-assist reject'.
```

```
By installing SupportAssist, you allow Dell to save your contact information (e.g. name, phone number and/or email address) which would be used to provide technical support for your Dell products and services Dell may use the information for providing recommendations to improve your IT infrastructure. Dell SupportAssist also collects and stores machine diagnostic information, which may include but is not limited to configuration information, user supplied contact information, names of data volumes, IP addresses, access control lists, diagnostics & performance information, network configuration information, host/server configuration & performance information and related data (Collected Data) and transmits this information to Dell. By downloading SupportAssist and agreeing to be bound by these terms and the Dell end user license agreement, available at: http://www.dell.com/aeula, you agree to allow Dell to provide remote monitoring services of your IT environment and you give Dell the right to collect the Collected Data in accordance with Dell's Privacy Policy, available at: http://www.dell.com/privacypolicycountryspecific, in order to enable the performance of all of the various functions of SupportAssist during your entitlement to
```

receive related repair services from Dell. You further agree to allow Dell to transmit and store the Collected Data from SupportAssist in accordance with these terms. You agree that the provision of SupportAssist may involve international transfers of data from you to Dell and/or to Dell's affiliates, subcontractors or business partners. When making such transfers, Dell shall ensure appropriate protection is in place to safeguard the Collected Data being transferred in connection with SupportAssist. If you are downloading SupportAssist on behalf of a company or other legal entity, you are further certifying to Dell that you have appropriate authority to provide this consent on behalf of that entity. If you do not consent to the collection, transmission and/or use of the Collected Data, you may not download, install or otherwise use SupportAssist.

AeroHive HiveManager NG EULA

This switch includes a feature that enables it to work with HiveManager (an optional management suite), by sending the switch's service tag number and IP Address to HiveManager to authenticate your entitlement to use HiveManager. If you wish to disable this feature, you should run command 'eula-consent hiveagent reject' immediately upon powering up the switch for the first time, or at any time thereafter.

Applying Global configuration, please wait...

Welcome to Dell Easy Setup Wizard

The setup wizard guides you through the initial switch configuration, and gets you up and running as quickly as possible. You can skip the setup wizard, and enter CLI mode to manually configure the switch. You must respond to the next question to run the setup wizard within 60 seconds, otherwise the system will continue

with normal operation using the default system configuration. Note: You can exit the setup wizard at any point by entering [ctrl+z].

Would you like to run the setup wizard (you must answer this question within 60 seconds)? [Y/N] **y**

Step 1:

The system is not set up for SNMP management by default. To manage the switch using SNMP (required for Dell Network Manager) you can

- . Set up the initial SNMP version 2 account now.
- . Return later and set up other SNMP accounts. (For more information on setting up an SNMP version 1 or 3 account, see the user documentation).

Would you like to set up the SNMP management interface now? [Y/N] **y**

To set up the SNMP management account you must specify the management system IP address and the "community string" or password that the particular management system uses to access the switch. The wizard automatically assigns the highest access level [Privilege Level 15] to this account. You can use Dell Network Manager or other management interfaces to change this setting, and to add additional management system information later. For more information on adding management systems, see the user documentation.

To add a management station:

Please enter the SNMP community string to be used.

[public]: **public**



注：如果已配置，默认访问级别将设置为 SNMP 管理接口的最高可用访问级别。最初将仅激活 SNMPv2。SNMPv3 将一直禁用，直至您返回来配置 SNMPv3 的安全访问级别（例如引擎 ID、视图等）。

Please enter the IP address of the Management System (A.B.C.D) or wildcard (0.0.0.0) to manage from any Management Station. [0.0.0.0]: **10.1.2.100**

Step 2:

Now we need to set up your initial privilege (Level 15) user account. This account is used to login to the CLI and Web interface. You may set up other accounts and change privilege levels later. For more information on setting up user accounts and changing privilege levels, see the user documentation.

To set up a user account:

```
Please enter the user name. [root]:admin
Please enter the user password: *****
Please reenter the user password: *****
```

Step 3:

Next, an IP address is set up on the VLAN 1 routing interface.

You can use the IP address to access the CLI, Web interface, or SNMP interface of the switch.

To access the switch through any Management Interface you can

- . Set up the IP address for the Management Interface.
- . Set up the default gateway if IP address is manually configured on the routing interface.

Step 4:

```
Would you like to set up the VLAN1 routing interface now? [Y/N] y
```

```
Please enter the IP address of the device (A.B.C.D) or enter "DHCP" (without the quotes) to automatically request an IP address from the network DHCP server:  
10.1.1.200
```

```
Please enter the IP subnet mask (A.B.C.D or /nn):  
255.255.255.0
```

Step 5:

Finally, set up the default gateway. Please enter the IP address of the gateway from which this network is reachable. [0.0.0.0]: **10.1.1.1**

This is the configuration information that has been collected:

```
SNMP Interface = "public"@10.1.2.100
User Account setup = admin
Password = *****
VLAN1 Router Interface IP = 10.1.1.200 255.255.255.0
Default Gateway = 10.1.1.1
```

Step 6:

If the information is correct, please enter (Y) to save the configuration and copy the settings to the start-up configuration file. If the information is incorrect, enter (N) to discard the configuration and restart the wizard: [Y/N] **y**

Thank you for using the Dell Easy Setup Wizard. You will now enter CLI mode.

Applying Interface configuration, please wait...

后续步骤

完成本节中所述的初始配置后，将交换机前面板上的任何端口连接到生产网络以进行带内远程管理。

如果您为 VLAN 1 管理接口 IP 地址指定了 DHCP，接口将从网络中的 DHCP 服务器获取其 IP 地址。要查找动态分配的 IP 地址，请使用控制台端口连接发布以下命令：

- 对于 VLAN 1 路由接口，请输入 **show ip interface**（显示 IP 接口）。

要访问 Dell OpenManage Switch Administrator 界面，在网页浏览器的地址栏中输入 VLAN 1 管理接口 IP 地址。对于 CLI 的远程管理访问，在 Telnet 或 SSH 客户端输入 VLAN 1 管理接口 IP 地址。或者继续使用控制台端口用于交换机的本地 CLI 访问。

N1100-ON 系列 交换机支持 VLAN 和生成树协议等基本交换功能。使用基于 Web 的管理界面或 CLI 配置您网络所需的功能。有关如何配置交换机功能的信息，请参阅支持网站 dell.com/support 中的 *User Configuration Guide*（用户配置指南）或者 *CLI Reference Guide*（CLI 参考指南）。

机构合规性

N1108T-ON、N1108P-ON、N1108EP-ON、N1124T-ON、N1124P-ON、N1148T-ON 和 N1148P-ON 交换机符合以下安全和机构要求：

日本 A 类设备的 VCCI 合规性

图 1-8. 日本：A 类设备的 VCCI 合规性

この装置は、クラスA機器です。この装置を住宅環境で使用すると電波妨害を引き起こすことがあります。この場合には使用者が適切な対策を講ずるよう要求されることがあります。

VCCI - A

这是基于信息技术设备干扰自愿控制委员会 (VCCI) 标准的 A 类产品。如果此设备用于国内环境，可能会产生无线电干扰。出现这种情况时，用户可能需要采取纠正措施。

警告：请仅配合 Dell EMC 设备使用交流电源线。请勿将 Dell EMC 交流电源线用于任何未经授权的硬件。

图 1-9. 日本：警告标签

本製品に同梱いたしております電源コードセットは、本製品専用です。本電源コードセットは、本製品以外の製品ならびに他の用途でご使用いただくことは出来ません。製品本体には同梱された電源コードセットを使用し、他製品の電源コードセットを使用しないで下さい。

符合印度认证

该产品符合 *电信工程中心 (TEC)* 法规的相关基本要求。


韩语合规性认证

图 1-10. 韩语合规性认证

A급 기기
(업무용 방송통신기자재)

이 기기는 업무용(A급) 전자파적합기기로서 판매자 또는 사용자는 이 점을 주의하시기 바라며, 가정외의 지역에서 사용하는 것을 목적으로 합니다.

图 1-11. 韩语软件包标签

	 [equipment type]
품명(Product Name)	Ethernet Switch
모델명(Model)	[model number]
신청인(Applicant)	Dell Technologies
제조사(Manufacturer)	
제조년월(Manufacturing Date)	[date]
제조국(Country of Origin)	China

安全标准和合规性机构认证

- IEC 62368-1, 第 2 版
- CUS UL 60950-1, 第 2 版
 - 符合或超过 UL 60950-1 的高压通电实验和接地连续性测试。
- AS/NZS 60950
- CSA 60950-1-03, 第 2 版
- EN 60950-1, 第 2 版
- EN 60825-1, 第 1 版
- EN 60825-1 激光产品安全 — 第 1 部分: 设备分类要求和用户指南

- EN 60825-2 激光产品安全 — 第 2 部分：光纤通信系统安全
- FDA 管理 21CFR 1040.10 和 1040.11
- IEC 60950-1, 第 2 版, 包括所有国家偏差和群体差异

电磁兼容性

辐射

- 国际: CISPR 32: A 类
- 澳大利亚 / 新西兰: AS/NZS CISPR 32, A 类
- 加拿大: ICES-003, 4 版, A 类
- 欧洲: EN55032: 2015 (CISPR 32), A 类
- EN55032
- 日本: VCCI A 类
- 韩国: KN32, A 类
- 中国台湾地区: CNS13438, A 类
- USA: FCC CFR47 第 15 部分, B 子部分, A 类

抗干扰

- 用于网络设备的 EN 300 386 EMC
- EN 55024
- EN 61000-3-2 谐波电流辐射
- EN 61000-3-3 电压波动和图像闪动
- EN 61000-4-2 ESD
- EN 61000-4-3 辐射磁场抗干扰
- EN 61000-4-4 EFT
- EN 61000-4-5 电涌
- EN 61000-4-6 低频率引导抗干扰

产品循环利用和处理

根据适用的本地和本国规定，您必须回收或丢弃此系统。Dell EMC 建议信息技术 (IT) 设备所有者负责任回收不再需要的设备。Dell EMC 在多个国家和地区提供各种产品退回计划和服务，帮助设备所有者回收 IT 产品。

工作海拔高度 - 信息更新



注：本说明文件中提供的工作海拔高度限制仅适用于发往中国的系统。

以下信息符合中国官方标准的要求：

- 操作海拔高度处于 -15.2 米至 2000 米（-50 英尺至 6560 英尺）的范围之内。
- 海拔高度在 2950 英尺以上时，最高工作温度按 1°F/550 英尺降低。

Dell Networking
N1108T-ON/N1108P-ON/
N1108EP-ON/N1124T-ON/
N1124P-ON/N1148T-ON/
N1148P-ON 交換器
入門指南



註、警示與警告



註：「註」表示可以幫助您更有效地使用交換器的重要資訊。



警示：「警示」表示有可能會損壞硬體或導致資料遺失，並告訴您如何避免發生此類問題。



警告：「警告」表示有可能會導致財產損失、人身傷害甚至死亡。



鋰電池警示：

- 如果電池放置方向錯誤，可能有爆炸的危險。更換時僅限使用相同電池或同類型電池。請依照製造廠商的指示來丟棄電池。
- 將電池投入火焰中、以微波加熱、使用機器碾壓或切割，可能會導致爆炸。
- 讓電池處於極高溫環境下，可能會導致易燃液體、氣體外洩或爆炸。
- 如果電池處於極低大氣壓力下，可能會導致易燃液體、氣體外洩或爆炸。
- 僅可於固定位置使用裝置，例如實驗室或機房。安裝裝置時，請確定插座保護用接地連接經技術人員檢查。

© 2019 Dell Inc. 或其子公司，版權所有，翻印必究。本產品受美國與國際著作權及智慧財產權法保護。Dell 和 Dell 徽標為 Dell Inc. 在美國及 / 或其他司法管轄區的徽標。此處提及的所有其他標記和名稱均為其各自公司的商標。

安規型號：E17W 和 E18W

2019 年 5 月 P/N JJHMV 修訂版 A01

目錄

1	簡介	69
	N1100-ON 系列 硬體概觀	69
	N1100-ON 系列 PoE 交換器耗電量	69
	通風系統	70
	N1100-ON 系列 機型摘要	71
2	N1108T-ON/N1108P-ON/ N1108EP-ON 安裝作業	72
	使用 Dell 串聯托盤安裝 N1108T-ON/ N1108P-ON 交換器	72
	使用大型 L 型托架，將 N1108T-ON/N1108P-ON/ N1108EP-ON 安裝在兩柱機架上	73
	將所有 N11xx-ON 交換器安裝在牆上	74
3	N1124T-ON/N1124P-ON/N1148T-ON/ N1148P-ON 安裝	77
	機架安裝 N1124T-ON/N1124P-ON/ N1148T-ON/ N1148P-ON 交換器	77
	安裝在機架中	77
	安裝站立式交換器	78
	堆疊多個 N1124T-ON/N1124P-ON/ N1148T-ON/ N1148P-ON 交換器	78

4	啓動和設定 N1100-ON 系列 交換器	79
	將 N1100-ON 系列 交換器連接至終端機	80
	N1100-ON 系列 將 交換器連接至電源	81
	交流電和直流電源連接	81
	啓動 N1100-ON 系列 交換器	82
	進行 N1100-ON 系列 的初始設定	83
	啓動遠端管理	83
	初始設定程式	84
	範例工作階段	85
	Dell 簡易安裝精靈 主控台的範例。	86
	下一步	90
5	機構法規遵循	92
6	操作高度-資訊更新	95

簡介

本文件提供 Dell Networking N1100-ON 系列交換器的基本資訊，包含如何安裝交換器及執行初始組態的資訊。如需有關如何設定及監控交換器功能，請參閱使用 *使用者組態指南*，該可從 Dell 支援網站 dell.com/support 取得該指南。請參閱支援網站以取得最新的更新說明文件和韌體。



註：強烈建議交換器管理員將 Dell Networking 交換器保持在 Dell Networking 作業系統 (DNOS) 最新版。Dell Networking 會根據來自客戶（也就是您）的回饋持續改進 DNOS 特點與功能。如為重要基礎架構，建議將新增內容預先接移到網路中的非重要部份，以使用新版 DNOS 確認網路組態和作業。

N1100-ON 系列 硬體概觀

本節包含 Dell Networking N1100-ON 系列的裝置特性及模組化硬體組態等相關資訊。

註：N1108EP-ON 交換器使用外接式電源變壓器。沒有適用於 N1108EP-ON 外接式電源變壓器的安裝套件。安裝 N1108EP-ON 時，請讓外接式電源變壓器遠離交換器。

N1100-ON 系列 PoE 交換器耗電量

表 1-1 說明 N1100-ON 系列 PoE 交換器耗電量。PoE 電源配置為 60 W (N1108P-ON)、123 W (N1108EP-ON)、185 W (N1124P-ON) 及 370 W (N1148P-ON)。

表 1-1. N1100-ON 系列 PoE 交換器耗電量

Model	輸入電壓	電源組態	最大待機電流 消耗量 (A)	最大待機電 源 (W)
N1108P-ON	100V/60Hz	主電源供應器	0.95A	88.64W
	110V/60Hz	主電源供應器	0.87A	88.43W
	120V/60Hz	主電源供應器	0.80A	88.22W
	220V/50Hz	主電源供應器	0.49A	89.28W
	240V/50Hz	主電源供應器	0.45A	89.70W

Model	輸入電壓	電源組態	最大待機電流 消耗量 (A)	最大待機電 源 (W)
N1108EP-ON	100V/60Hz	54 VDC 外接式電源 變壓器	1.62 A	157 W
	110V/60Hz	54 VDC 外接式電源 變壓器	1.47 A	157 W
	120V/60Hz	54 VDC 外接式電源 變壓器	1.35 A	157 W
	220V/50Hz	54 VDC 外接式電源 變壓器	0.74 A	157 W
	240V/50Hz	54 VDC 外接式電源 變壓器	0.67 A	157 W
N1124P-ON	100V/60Hz	主電源供應器	2.66A	260.66W
	110V/60Hz	主電源供應器	2.38A	257.95W
	120V/60Hz	主電源供應器	2.16A	256.27W
	220V/50Hz	主電源供應器	1.18A	250.52W
	240V/50Hz	主電源供應器	1.10A	251.25W
N1148P-ON	100V/60Hz	主電源供應器	4.78A	476.03W
	110V/60Hz	主電源供應器	4.32A	472.64W
	120V/60Hz	主電源供應器	3.95A	470.58W
	220V/50Hz	主電源供應器	2.14A	459.37W
	240V/50Hz	主電源供應器	1.97A	459.06W

通風系統

N1108T-ON/N1108P-ON 交換器由一個風扇冷卻，而 N1024T-ON/N1024P-ON/N1048T-ON/N1048P-ON 則由兩個風扇冷卻。風扇為不可現場更換。N1108EP-ON 為無風扇交換器。

N1100-ON 系列 機型摘要

表 1-2. N1100-ON 系列 交換式穩壓器編號

行銷機型名稱 (MMN)	說明	電源供應器 (PSU)	安規型號 (RMN)	安規類型號碼 (RTN)
N1108T-ON	10x1G/2x1G SFP 連接埠	DPS-24GP	E17W	E17W001
N1108P-ON	10x1G/2x1G SFP/2xPoE+ 連接埠	DPS-80AP/ DPS-24GP	E17W	E17W001
N1108EP-ON	8 個 1 G PoE+/2 個 1 G PD/2 個 1 G SFP 連接埠	ADP-280BR	E48W	E48W001
N1124T-ON	24x1G/4x10G SFP+ 連接埠	DPS-40AP	E18W	E18W001
N1124P-ON	24x1G/4x10G SFP+/6xPoE+ 連接埠	EDPS-250BF	E18W	E18W001
N1148T-ON	48x1G/4x10G SFP+ 連接埠	DPS-60AP	E18W	E18W002
N1148P-ON	48x1G/4x10G SFP+/12xPoE+ 連接埠	YM-2501D	E18W	E18W002

N1108T-ON/N1108P-ON/N1108EP-ON 安裝作業

使用 Dell 串聯托盤安裝 N1108T-ON/N1108P-ON 交換器

AC 電源連接器位於後方面板上。

⚠ 警告：閱讀 *安全安規資訊* 中的安全資訊，以及連接或支援交換器的其他交換器的安全資訊。

⚠ 警告：請勿使用機架安裝套件將交換器懸掛在桌下或書桌下，或將其附加在牆上。

⚠ 警告：從交換器拔下所有纜線，然後再繼續。從電腦底部的交換器移除所有自黏性橡膠墊（如果使用者已經連接）。

⚠ 警告：將多台交換器安裝至機架時，請由下而上安裝。

- 1 將 N1108T-ON/N1108P-ON 交換器固定在 Dell 串聯托盤套件中，如圖 1-1 所示。

圖 1-1. Dell 串聯托盤套件



- 2 將交換器連接至 48.26 公分 (19 吋) 的機架，確保套件上的機架安裝孔對齊機架中的安裝孔。

- 3 使用機架螺栓或四角螺帽和四角螺栓（搭配墊片）將套件固定至機架（根據您的機架種類）。先鎖緊螺栓頂端，然後再鎖緊螺栓底部。

使用大型 L 型托架，將 N1108T-ON/N1108P-ON/N1108EP-ON 安裝在兩柱機架上

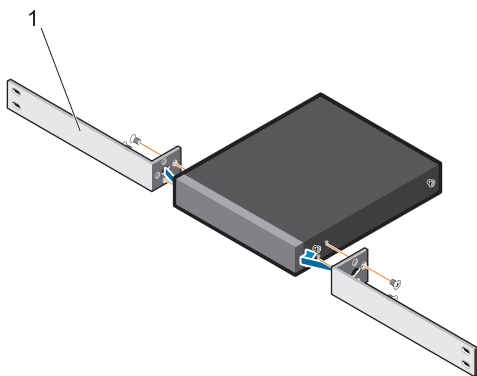
註：AC 電源連接器位於 N1108T-ON/N1108P-ON 交換器的後方面板上。N1108EP-ON 的 DC 電源連接器位於後方面板的中央。

註：N1108EP-ON 交換器使用外接式電源變壓器。沒有適用於 N1108EP-ON 外接式電源變壓器的安裝套件。安裝 N1108EP-ON 時，請讓外接式電源變壓器遠離交換器。

警示：N1108EP-ON 為無風扇交換器，請勿將外接式電源變壓器放在交換器上方，以免過熱。

- 1 將隨附的機架固定托架置於交換器一側，並確定交換器上的固定孔與機架固定托架上的固定孔對齊。請參閱圖 1-2 中的項目 1。

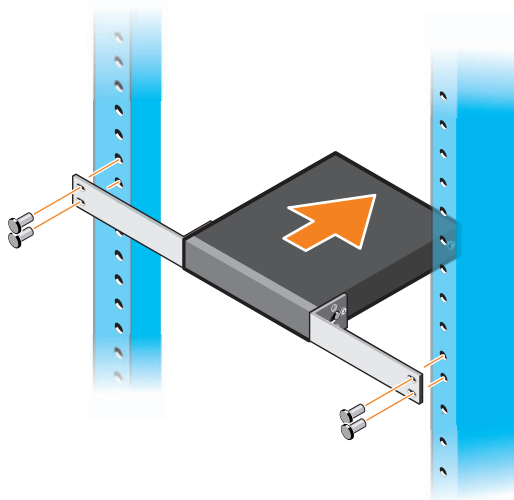
圖 1-2. 使用大型 L 托架套件安？



- 2 將隨附的螺絲插入機架固定孔，然後使用螺絲起子鎖緊
- 3 在交換器的另一側重複以上步驟。

- 4 將交換器和導軌組件從機架正面插入機架。確定交換器上的機架固定孔與機架上的固定孔對齊。
- 5 使用機架螺絲將交換器固定至機架。請先鎖緊下方的螺絲組，再鎖緊上方的螺絲組請參閱圖 1-3。

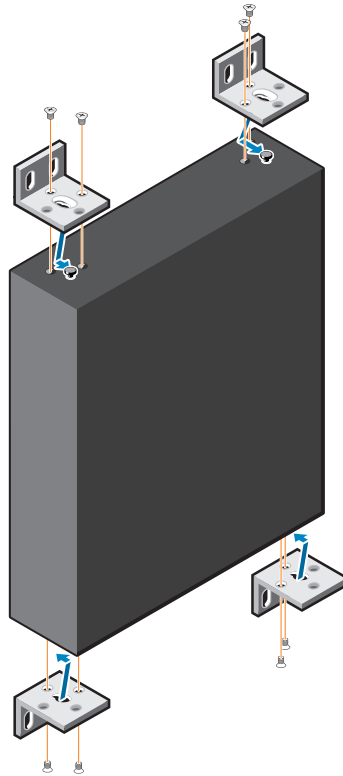
圖 1-3. 使用 L 型托架安裝在兩柱機架上



將所有 N11xx-0N 交換器安裝在牆上

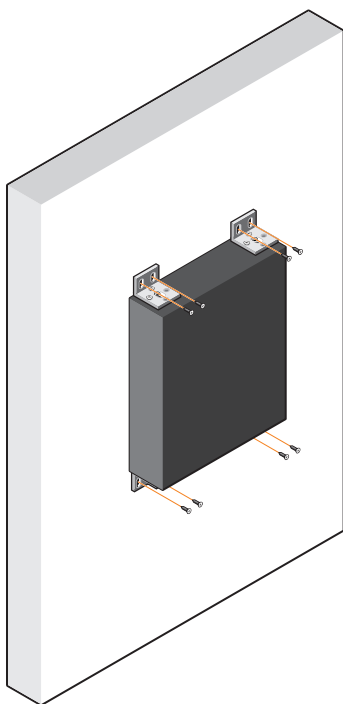
- 1 確定安裝位置符合以下要求：
 - 牆面可支撐交換器的重量。
 - 位置通風良好，以防熱氣積聚。
- 2 將隨附的壁式固定托架置於交換器一側，請確定交換器上的固定孔與壁式固定托架上的固定孔對齊
- 3 將隨附的螺絲插入壁式固定托架孔，然後使用螺絲起子鎖緊請參閱圖 1-4。

圖 1-4. 插入固定托架



- 4 對交換器另一側的壁式固定托架重複相同的程序
- 5 將交換器置於牆上要安裝交換器的位置
- 6 必須先在牆上標記固定交換器的螺絲位置。
- 7 在標示位置鑽孔，然後將八個隨附的固定器一一放入孔中。
- 8 將隨附的螺絲插入壁式固定托架孔，然後用螺絲起子鎖緊。請參閱圖 1-5。

圖 1-5. 安裝在牆上



N1124T-0N/N1124P-0N/N1148T-0N/ N1148P-0N 安裝

機架安裝 N1124T-0N/N1124P-0N/ N1148T-0N/ N1148P-0N 交換器

⚠ 警告： 閱讀 *安全安規資訊* 中的安全資訊，以及連接或支援交換器的其他交換器的安全資訊。

交流電變壓器連接器位於交換器後面板。

安裝在機架中

⚠ 警告： 請勿使用機架安裝套件將交換器懸掛在桌下或書桌下，或將其附加在牆上。

△ 警示： 從交換器拔下所有纜線，然後再繼續。從電腦底部的交換器移除所有自黏性橡膠墊 (如果使用者已經連接)。

△ 警示： 將多台交換器安裝至機架時，請由下而上安裝。

- 1 將隨附的機架安裝托架置於交換器一側，請確保交換器上的固定孔對齊機架固定托架上的固定孔。圖 1-6 說明可將托架安裝於何處。


圖 1-6. 連接顯示板托架




- 2 將提供的螺栓插入機架安裝孔並用螺絲起子鎖緊。
- 3 將機架安裝托架以同樣的流程安裝在交換器另一側。

- 4 將交換器連接至 48.26 公分 (19 吋) 的機架，確保托架上的機架安裝孔對齊機架中的安裝孔。
- 5 使用機架螺栓或四角螺帽和四角螺栓 (搭配墊片) 將托架固定至機架 (根據您的機架種類)。先鎖緊螺栓頂端，然後再鎖緊螺栓底部。

 **警示：**請確定提供的機架螺栓適合機架的預鑽孔。

 **註：**請確定通風孔沒被擋住。

安裝站立式交換器

 **註：**Dell 強烈建議在機架內安裝交換器。

若不在機架內安裝，則請在平坦的表面安裝交換器。該表面必須能夠支撐交換器和交換器纜線的重量。交換器附有四個自黏性橡膠墊。

- 1 將自黏性橡膠墊貼在交換器底部的標記位置。
- 2 將交換器放置在平面上，每側留出 5 公分 (2 吋)，後部預留 13 公分 (5 吋) 的距離，確保通風順暢。

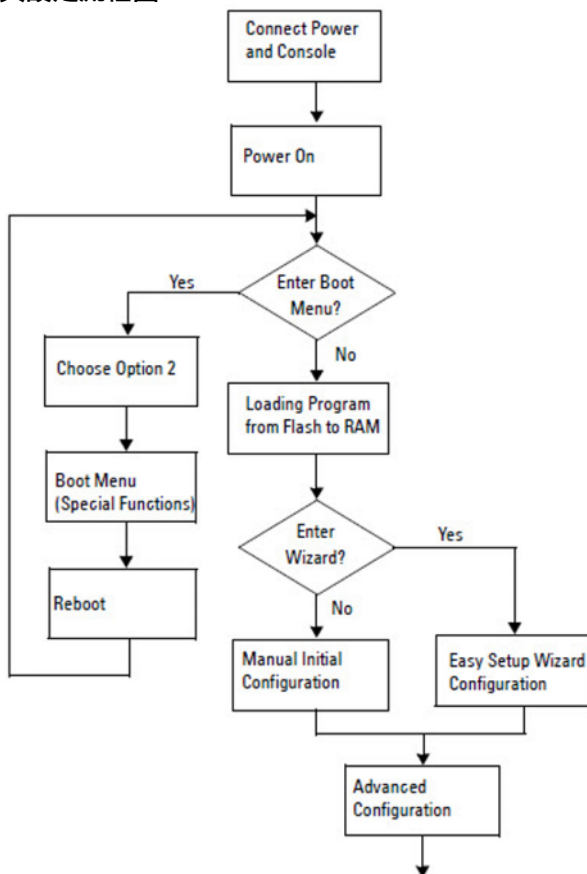
堆疊多個 N1124T-ON/N1124P-ON/ N1148T-ON/ N1148P-ON 交換器

您可以使用交換器前面的 10G SFP+ 連接埠堆疊最多四台 N1124T-ON/N1124P-ON/N1148T-ON/ N1148P-ON 交換器。必須將連接埠設定為支援堆疊。當透過堆疊連接埠連接多台交換器時，它們會作為擁有至多 208 個前面板連接埠的單一裝置運作。堆疊會作為單一實體運作並受管理。如需更多相關資訊，可參考 *使用者設定指南* 和 *CLI 參考指南*。

啓動和設定 N1100-0N 系列 交換器

以下流程圖會說明從包裝中取出交換器並安裝完成後，執行初始設定所需的步驟。

圖 1-7. 安裝與設定流程圖



將 N1100-ON 系列 交換器連接至終端機

完成所有外部連接後，連接至終端機，進行交換器設定。



註：在進行組態前，請閱讀本產品的發行說明。您可在 Dell 支援網站：dell.com/support 上下載發行說明。



註：Dell 建議透過 Dell 支援網站 dell.com/support 取得最新版本的使用者文件。

若要透過 USB 主控台監控和設定，請使用交換器前面板上的主控台連接埠，利用提供的 USB 纜線將主控台連接至執行 VT100 終端機模擬軟體的電腦。初次使用 USB 纜線時，可能需要下載並安裝驅動程式。

使用主控台連接埠需要下列裝置：

- 具有 USB 連接埠且執行 VT100 終端機模擬程式、相容 VT100 的電腦 (例如 HyperTerminal®) 和 USB 隨身碟。
- 提供的 USB 纜線附用於主控台連接埠的 Type-B USB 連接器，和用於主機個人電腦的 USB 連接器。


執行下列工作，以將終端機連接至交換器主控台連接埠：

- 1 連接所提供的交換器上的 USB Type-B 連接器，並將另外一頭連接至執行 VT100 終端機模擬軟體的電腦。
- 2 按以下步驟設定終端機模擬軟體：
 - a 選擇正確的序列埠 (例如 COM 1) 以連接至主控台。
 - b 將資料速率設定為 115,200 傳輸速率。
 - c 設定資料格式為 8 data bits、1 stop bit 以及 no parity。
 - d 設定流量控制為 none。
 - e 設定終端機模擬模式為 VT100。
 - f 選擇功能、方向鍵和 Ctrl 鍵的終端機鍵。確保該設定適合終端機鍵 (而非 Microsoft Windows 鍵)。
- 3 將纜線上的 USB Type-B 連接器直接連接到交換器主控台連接埠。Dell Networking 主控台連接埠位於前面板的右側，使用 |O|O| 符號標記。



註：主控台存取堆疊管理程式，可透過本機 CLI 主控台連接埠進入。同一時間內只能進行一組 USB 主控台工作階段。

N1100-ON 系列 將 交換器連接至電源

 **警示：** 閱讀安全安規資訊手冊中的安全資訊，以及連接或支援交換器的其他交換器的安全資訊。

N1108T-ON 和 N1108P-ON 機型有一個內部電源供應器。電源插座位於後面板上。N1108EP-ON 則使用外接式 DC 電源變壓器。外接式 DC 電源變壓器

交流電和直流電源連接

- 1 請確保交換器主控台連接埠已經透過 USB 對 USB 纜線連接至執行 VT100 終端機模擬器的個人電腦。
- 2 使用五腳 (1.5 公尺) 標準纜線與安全接地連接，將電源纜線連接至後面板上的交流電主插座。

PoE 機型交換器有高功率電源線，隨附有槽口的連接器，用於交換氣墊原插座。使用適用 PoE 的交換器時，必須使用這種類型的纜線。
- 3 將電源線連接至接地交流電插座。

啓動 N1100-0N 系列 交換器

若電源開啓，且已連接本機終端機，則交換器將進行開機自我測試 (POST)。交換器每次初始化並檢查硬體元件後，都會運行開機自我測試，確保交換器在完全啓動前完全處於全面運作狀態。若開機自我測試檢測出嚴重問題，則程式流程將停止。若成功通過開機自我測試，則有效的硬體將會載入至 RAM。開機自我測試資訊會在終端機上顯示是否通過測試。開機程式執行時間約為 60 秒。

可以在開機自我測試完成第一部分後，啓動 boot (開機) 功能表。透過 Boot (開機) 功能表，您可以執行設定工作，例如將系統重設為原廠設定、啓動備份影像，或復原密碼。有關 Boot (開機) 功能表的更多資訊，請參考 *CLI 參考指南*。

進行 N1100-ON 系列的初始設定

初始設定程序以下列假設為依據：

- Dell Networking 之前未設定過交換器。
- Dell Networking 交換器成功啟動。
- 已建立主控台連接，Dell **簡易安裝精靈** 提示會出現在執行終端機模擬軟體的個人電腦畫面上。

初始交換器設定係透過主控台連接埠執行。初始設定完成後，您可透過已連接的主控台連接埠或於初始設定期間定義的介面來管理交換器。



註：交換器未使用預設使用者名稱、密碼或 IP 位址設定。

完成交換器初始設定後，請從網路管理員處取得以下資訊：

- 要指派給管理介面的 IP 位址。
- 網路 IP 子網路遮罩。
- 管理介面預設開道的 IP 位址。

這些設定有必要透過 Telnet (Telnet 客戶端) 或 HTTP (網頁瀏覽器) 進行遠端管理。

啟動遠端管理

在 N1100-ON 系列 交換器上，您可以使用前面板上任何用於頻內管理的交換器連接埠。所有頻內連接埠均預設位於 VLAN 1。

Dell **簡易安裝精靈** 包括的提示可用來設定 N1100-ON 系列交換器上 VLAN 1 介面的網路資訊。您可指定靜態 IP 位址和子網路遮罩或啟動 DHCP，允許網路 DHCP 伺服器指派資訊。

關於網路資訊設定方面的指令，請參考 *CLI 參考指南*。

初始設定程式

使用 **Dell 簡易安裝精靈** 或 CLI 執行初始設定。交換器設定檔清空時，精靈將自動啟動。按下 [ctrl+z] 可隨時退出精靈，但是所有指定組態設定將被刪除，交換器會使用預設值。



註：若不運行 **Dell 簡易安裝精靈** 或者未在 60 秒內對初始簡易安裝精靈提示進行回應，則交換器將進入 CLI 模式。為重新啟動 **Dell 簡易安裝精靈**，必須透過清空啟動組態重設交換器。

透過 CLI 執行初始設定的更多相關資訊，可參考 *CLI 參考指南*。本 *入門指南* 將說明如何使用 **Dell 簡易安裝精靈** 完成初始交換器組態。安裝精靈會設定交換器組態如下：

- 使用有效密碼建立初始有權限的使用者帳戶。精靈在設定期間，會設定一個有權限的使用者帳戶。
- 啟動 CLI 登入和 HTTP 存取，僅使用本機驗證設定。
- 設定 VLAN1 路由介面的 IP 位址，其包括所有頻內連接埠。
- 在指定 IP 位址上設定用於 SNMP 管理器的 SNMP 社群字串。若 SNMP 管理不適用於本交換器，請跳過此步驟。
- 讓您可指定網路管理系統 IP 位址或允許所有 IP 位址的管理存取。
- 為 VLAN1 介面設定預設閘道 IP 位址。

範例工作階段

本節說明 Dell 簡易安裝精靈的工作階段。範例工作階段使用以下值：

- SNMP 社群字串可 public (公開) 使用。
- 網路管理系統 (NMS) IP 位址為 10.1.2.100。
- 使用者名稱為 admin，密碼為 admin123。
- VLAN 1 路由介面的 IP 位址為 10.1.1.200，子網路遮罩為 255.255.255.0。
- 預設閘道為 10.1.1.1。

安裝精靈設定的初始值如上所示。在完成精靈後，交換器的設定如下：

- 啟動 SNMPv2，社群字串設定如上文所述。SNMPv3 預設為停用。
- 根據要求設定管理使用者帳戶。
- 網路管理系統已設定。可透過管理站進入 SNMP、HTTP 及 CLI 介面。您也可以選擇 (0.0.0.0) IP 位址，允許所有 IP 位址存取這些管理介面。
- 設定 VLAN1 路由介面的 IP 位址。
- 預設閘道位址已設定。



註：下列範例中，可能的使用者選項或預設值包含在 [] 中。若您按下 <Enter> 而未定義其他選項，則會接受預設值。協助文字位於括號中。

Dell 簡易安裝精靈 主控台的範例。

下列範例包含有關範例 Dell 簡易安裝精靈 工作階段的提示順序和回應，該階段使用的是先前列出的輸入值。

在交換器完成開機自我測試並啟動後，將出現以下對話：

```
Unit 1 - Waiting to select management unit)>
```

```
_____Dell SupportAssist EULA_____
```

```
I accept the terms of the license agreement. You can reject the license agreement by configuring this command 'eula-consent support-assist reject'.
```

```
By installing SupportAssist, you allow Dell to save your contact information (e.g. name, phone number and/or email address) which would be used to provide technical support for your Dell products and services Dell may use the information for providing recommendations to improve your IT infrastructure. Dell SupportAssist also collects and stores machine diagnostic information, which may include but is not limited to configuration information, user supplied contact information, names of data volumes, IP addresses, access control lists, diagnostics & performance information, network configuration information, host/server configuration & performance information and related data (Collected Data) and transmits this information to Dell. By downloading SupportAssist and agreeing to be bound by these terms and the Dell end user license agreement, available at: http://www.dell.com/aeula, you agree to allow Dell to provide remote monitoring services of your IT environment and you give Dell the right to collect the Collected Data in accordance with Dell's Privacy Policy, available at: http://www.dell.com/privacypolicycountryspecific, in order to enable the performance of all of the various functions of SupportAssist during your entitlement to
```

receive related repair services from Dell. You further agree to allow Dell to transmit and store the Collected Data from SupportAssist in accordance with these terms. You agree that the provision of SupportAssist may involve international transfers of data from you to Dell and/or to Dell's affiliates, subcontractors or business partners. When making such transfers, Dell shall ensure appropriate protection is in place to safeguard the Collected Data being transferred in connection with SupportAssist. If you are downloading SupportAssist on behalf of a company or other legal entity, you are further certifying to Dell that you have appropriate authority to provide this consent on behalf of that entity. If you do not consent to the collection, transmission and/or use of the Collected Data, you may not download, install or otherwise use SupportAssist.

AeroHive HiveManager NG EULA

This switch includes a feature that enables it to work with HiveManager (an optional management suite), by sending the switch's service tag number and IP Address to HiveManager to authenticate your entitlement to use HiveManager. If you wish to disable this feature, you should run command 'eula-consent hiveagent reject' immediately upon powering up the switch for the first time, or at any time thereafter.

Applying Global configuration, please wait...

Welcome to Dell Easy Setup Wizard

The setup wizard guides you through the initial switch configuration, and gets you up and running as quickly as possible. You can skip the setup wizard, and enter CLI mode to manually configure the switch. You must respond to the next question to run the setup wizard within 60 seconds, otherwise the system will continue

with normal operation using the default system configuration. Note: You can exit the setup wizard at any point by entering [ctrl+z].

Would you like to run the setup wizard (you must answer this question within 60 seconds)? [Y/N] **y**

Step 1:

The system is not set up for SNMP management by default. To manage the switch using SNMP (required for Dell Network Manager) you can

- . Set up the initial SNMP version 2 account now.
- . Return later and set up other SNMP accounts. (For more information on setting up an SNMP version 1 or 3 account, see the user documentation).

Would you like to set up the SNMP management interface now? [Y/N] **y**

To set up the SNMP management account you must specify the management system IP address and the "community string" or password that the particular management system uses to access the switch. The wizard automatically assigns the highest access level [Privilege Level 15] to this account. You can use Dell Network Manager or other management interfaces to change this setting, and to add additional management system information later. For more information on adding management systems, see the user documentation.

To add a management station:

Please enter the SNMP community string to be used.

[public]: **public**



註: 若已完成設定，預設存取級別會被設定為 SNMP 管理介面的最高可用存取。一開始只會啟動 SNMPv2。SNMPv3 會被禁用，直到您返回 SNMPv3 安全性存取 (例如：引擎 ID、視圖 ... 等) 為止。

Please enter the IP address of the Management System (A.B.C.D) or wildcard (0.0.0.0) to manage from any Management Station. [0.0.0.0]: **10.1.2.100**

Step 2:

Now we need to set up your initial privilege (Level 15) user account. This account is used to login to the CLI and Web interface. You may set up other accounts and change privilege levels later. For more information on setting up user accounts and changing privilege levels, see the user documentation.

To set up a user account:

```
Please enter the user name. [root]:admin
Please enter the user password: *****
Please reenter the user password: *****
```

Step 3:

Next, an IP address is set up on the VLAN 1 routing interface.

You can use the IP address to access the CLI, Web interface, or SNMP interface of the switch.

To access the switch through any Management Interface you can

- . Set up the IP address for the Management Interface.
- . Set up the default gateway if IP address is manually configured on the routing interface.

Step 4:

```
Would you like to set up the VLAN1 routing interface now? [Y/N] y
```

```
Please enter the IP address of the device (A.B.C.D) or enter "DHCP" (without the quotes) to automatically request an IP address from the network DHCP server:  
10.1.1.200
```

```
Please enter the IP subnet mask (A.B.C.D or /nn):  
255.255.255.0
```

Step 5:

Finally, set up the default gateway. Please enter the IP address of the gateway from which this network is reachable. [0.0.0.0]: **10.1.1.1**

This is the configuration information that has been collected:

```
SNMP Interface = "public"@10.1.2.100
User Account setup = admin
Password = *****
VLAN1 Router Interface IP = 10.1.1.200 255.255.255.0
Default Gateway = 10.1.1.1
```

Step 6:

If the information is correct, please enter (Y) to save the configuration and copy the settings to the start-up configuration file. If the information is incorrect, enter (N) to discard the configuration and restart the wizard: [Y/N] **y**

Thank you for using the Dell Easy Setup Wizard. You will now enter CLI mode.

Applying Interface configuration, please wait...

下一步

在完成上述的初始設定後，將前面板交換器連接埠連接至頻內遠端管理的生產網路。

若為 VLAN1 管理介面 IP 位址指定 DHCP，介面將從網路的 DHCP 伺服器上取得 IP 位址。為了尋找動態指派 IP 位址，請使用主控台連接埠連接裝置發出下列命令：

- 針對 VLAN 1 路由介面，輸入 `show ip interface` (顯示介面)。

若要存取 Dell OpenManage 交換器管理員介面，進入 VLAN 1 管理介面 IP 位址的網路瀏覽器的位址欄位。針對 CLI 的遠端管理存取，可進入 VLAN1 的管理介面 IP 位址，存取 Telnet 或 SSH 客戶端。或者，繼續使用本機 CLI 的主控台連接埠存取交換器。

N1100-ON 系列 交換器支援基本的交換功能，例如 VLAN 和擴充樹協定。使用網路管理介面或 CLI 設定您的網路所需的功能。如需有關如何設定交換器功能的資訊，請參考 *使用者組態指南* 或 *CLI 參考指南*，其可於支援網站上取得：dell.com/support。

機構法規遵循

N1108T-ON、N1108P-ON、N1108EP-ON、N1124T-ON、N1124P-ON、N1148T-ON 及 N1148P-ON 交換器符合以下安全和機構要求：

日本 Class A 設備 VCCI 符合性

圖 1-8. 日本：Class A 設備 VCCI 符合性

この装置は、クラスA機器です。この装置を住宅環境で使用すると電波妨害を引き起こすことがあります。この場合には使用者が適切な対策を講ずるよう要求されることがあります。

VCCI - A

根據日本資訊技術設備電波干擾自發控制委員會 (VCCI) 的標準，此為 Class A 產品。如果在住家環境中使用此設備，可能會產生無線電干擾。如果發生這類問題，使用者可能必須採取修正措施。

警告： AC 電源線僅能搭配 Dell EMC 設備使用。請勿將 Dell EMC AC 電源線與任何未經授權的硬體搭配使用。

圖 1-9. 日本：警告標籤

本製品に同梱いたしております電源コードセットは、本製品専用です。本電源コードセットは、本製品以外の製品ならびに他の用途でご使用いただくことは出来ません。製品本体には同梱された電源コードセットを使用し、他製品の電源コードセットを使用しないで下さい。

印度法規遵循認證

本產品符合印度電信工程中心 (TEC) 法規的相關基本要求。


韓國法規遵循認證

圖 1-10. 韓國法規遵循認證

A급 기기
(업무용 방송통신기자재)

이 기기는 업무용(A급) 전자파적합기기로서 판매자 또는 사용자는 이 점을 주의하시기 바라며, 가정외의 지역에서 사용하는 것을 목적으로 합니다.

圖 1-11. 韓國包裝標籤

	 [equipment type]
품명(Product Name)	Ethemet Switch
모델명(Model)	[model number]
신청인(Applicant)	Dell Technologies
제조사(Manufacturer)	
제조년월(Manufacturing Date)	[date]
제조국(Country of Origin)	China

安全標準和法規遵循機構認證

- IEC 62368-1 第 2 版
- CUS UL 60950-1 第 2 版
 - 根據 UL 60950-1，符合或高於耐壓和接地阻抗測試。
- AS/NZS 60950
- CSA 60950-1-03 第 2 版
- EN 60950-1 第 2 版
- EN 60825-1 第 1 版
- EN 60825-1 雷射產品安全 – 第 1 部：設備分類要求與使用指南

- EN 60825-2 雷射產品安全 – 第 2 部：光纖通訊系統安全
- FDA 法規 21CFR 1040.10 和 1040.11
- IEC 60950-1 第 2 版，包含所有國家偏差值及群組差異

電磁相容性

發射標準

- 國際：CISPR 32：Class A
- 澳洲/紐西蘭：AS/NZS CISPR 32，Class A
- 加拿大：ICES-003，Issue-4，Class A
- 歐洲：EN55032 2015 (CISPR 32)，Class A
- EN55032
- 日本：VCCI Class A
- 韓國：KN32，Class A
- 台灣：CNS13438，Class A
- 美國：FCC CFR47 Part 15，Subpart B，Class A


耐受性

- EN 300 386 網路設備 EMC
- EN 55024
- EN 61000-3-2 諧波電流發射
- EN 61000-3-3 電壓波動及閃爍
- EN 61000-4-2 ESD
- EN 61000-4-3 輻射耐受性
- EN 61000-4-4 EFT
- EN 61000-4-5 突波
- EN 61000-4-6 低頻傳導耐受性

產品回收與廢棄處理

您必須根據適用的當地和國家法規回收或丟棄此系統。Dell EMC 鼓勵資訊技術 (IT) 設備的擁有者於不再需要使用設備時，負起回收設備的責任。Dell EMC 在多個國家 / 地區提供各種產品回收計畫和服務，以協助設備擁有者回收其 IT 產品。

操作高度—資訊更新

 **註：**本文件內提供的操作高度限制僅適用於出貨至中國的系統。

下列資訊符合中國官方標準的要求：

- 作業海拔高度範圍為 -15.2 m 至 2,000 m (-50 ft 至 6,560 ft)。
- 如高度超過 2,950 呎，則最大作業溫度降低為 1°F/550 呎。

Dell Networking
N1108T-ON/N1108P-ON/
N1108EP-ON/N1124T-ON/
N1124P-ON/N1148T-ON/
N1148P-ON Switches

Panduan Cara Memulai



Catatan, Perhatian, dan Peringatan



CATATAN: CATATAN menunjukkan informasi penting yang membantu Anda menggunakan switch dengan lebih baik.



PERHATIAN: PERHATIAN menunjukkan kemungkinan terjadinya kerusakan pada perangkat keras atau hilangnya data, dan memberi tahu Anda mengenai cara menghindari masalah tersebut.



PERINGATAN: PERINGATAN menunjukkan potensi kerusakan harta benda, cedera pribadi, atau kematian



Perhatian baterai litium:

- Terdapat bahaya ledakan jika baterai dipasang kembali dengan tidak benar. Ganti baterai hanya dengan baterai dengan tipe yang sama. Buang baterai sesuai dengan instruksi pabrik.
- Membuang baterai ke dalam api, oven panas, penghancuran mekanis, atau pemotongannya bisa mengakibatkan ledakan.
- Membiarkan baterai di lingkungan yang sangat panas dapat mengakibatkan kebocoran cairan, gas, atau ledakan yang mudah terbakar.
- Jika baterai mengalami tekanan udara yang sangat rendah, baterai dapat mengakibatkan kebocoran cairan, gas, atau ledakan yang mudah terbakar.
- Perangkat hanya bisa digunakan di lokasi tetap seperti laboratorium atau ruang mesin. Saat Anda menginstal perangkat, pastikan bahwa koneksi pbumian pelindung dari stopkontak diverifikasi oleh orang yang ahli.

© 2019 Dell Inc. atau anak perusahaannya. Semua hak dilindungi undang-undang. Produk ini dilindungi oleh undang-undang hak cipta serta kekayaan intelektual AS dan internasional. Dell dan logo Dell adalah merek dagang dari Dell Inc. di Amerika Serikat dan/atau yurisdiksi lainnya. Semua merek dan nama lainnya yang disebutkan di sini bisa jadi merupakan merek dagang dari perusahaannya masing-masing.

Model Regulatori: E17W dan E18W

Mei 2019 P/N JJHMV Rev. A01

Daftar Isi

1	Pendahuluan	101
	Tinjauan Perangkat Keras Seri N1100-ON	101
	Konsumsi Daya untuk Switch PoE Seri N1100-ON	101
	Sistem Ventilasi.	102
	Ringkasan Model Seri N1100-ON	103
2	Pemasangan N1108T-ON/N1108P-ON/ N1108EP-ON	104
	Memasang Sakelar N1108T-ON/N1108P-ON Menggunakan Dell Tandem Tray	104
	Memasang N1108T-ON/N1108P-ON/N1108EP-ON pada Two-Post Rack Menggunakan Braket L Besar	105
	Memasang semua Switch N11xx-ON pada Dinding	106
3	Pemasangan N1124T-ON/N1124P-ON/ N1148T-ON/ N1148P-ON	109
	Pemasangan Switch N1124T-ON/N1124P-ON/ N1148T-ON/ N1148P-ON di Rak	109
	Memasang di Rak.	109
	Memasang sebagai Switch yang Berdiri-sendiri	110
	Menumpuk Beberapa Switch N1124T-ON/ N1124P-ON/ N1148T-ON/ N1148P-ON	110

4	Memulai dan Mengonfigurasi Switch Seri N1100-ON	111
	Menyambungkan Switch Seri N1100-ON ke Terminal.	112
	Seri N1100-ONMenyambungkan Switch ke Sumber Daya	113
	Koneksi Daya AC dan DC	113
	Melakukan Boot Pada Switch Seri N1100-ON	114
	Melakukan Konfigurasi Awal Seri N1100-ON.	115
	Mengaktifkan Manajemen Jarak Jauh.	115
	Prosedur Konfigurasi Awal	116
	Sesi Contoh	117
	Contoh Konsol Wizard Pengaturan Mudah Dell	118
	Langkah Berikutnya.	122
5	Kepatuhan agensi	124
6	Ketinggian Pengoperasian– Pembaruan Informasi	127

Pendahuluan

Dokumen ini menyediakan informasi dasar tentang switch Dell Networking Seri N1100-ON, termasuk cara memasang switch dan melakukan konfigurasi awal. Untuk informasi tentang cara mengonfigurasi dan memantau fitur switch, merujuklah ke *Panduan Konfigurasi Pengguna*, yang tersedia di situs web Dell Support di dell.com/support. Lihat situs web Dukungan untuk mencari pembaruan terbaru mengenai dokumentasi dan firmware.



CATATAN: Administrator switch sangat disarankan untuk selalu memperbarui switch Dell Networking ke Sistem Operasi (DNOS) Dell Networking versi terbaru. Dell Networking terus menerus meningkatkan fitur dan fungsi DNOS berdasarkan pada umpan balik dari Anda, pelanggan. Untuk infrastruktur penting, direkomendasikan untuk melakukan percobaan pemakaian terhadap rilis baru tersebut pada bagian yang tidak terlalu penting dari jaringan, untuk memverifikasi konfigurasi jaringan dan pengoperasian dengan versi DNOS yang baru.

Tinjauan Perangkat Keras Seri N1100-ON

Bagian ini berisi informasi tentang karakteristik perangkat dan konfigurasi perangkat keras modular untuk switch Dell Networking Seri N1100-ON.

CATATAN: Switch N1108EP-ON menggunakan adaptor daya eksternal. Tidak ada kit pemasangan yang tersedia untuk adaptor daya eksternal N1108EP-ON. Saat memasang N1108EP-ON, tempatkan adaptor daya eksternal jauh dari switch.

Konsumsi Daya untuk Switch PoE Seri N1100-ON

Tabel 1-1 menjelaskan tentang konsumsi daya untuk switch PoE Seri N1100-ON. Alokasi daya PoE adalah 60W untuk N1108P-ON, 123W untuk N1108EP-ON, 185W untuk N1124P-ON, dan 370W untuk N1148P-ON.

Tabel 1-1. Konsumsi Daya untuk Switch PoE Seri N1100-ON

Model	Tegangan Input	Konfigurasi Catu Daya	Konsumsi Arus Tetap Maksimum (A)	Daya Tetap Maksimum (W)
N1108P-ON	100 V/60 Hz	PSU Utama	0,95 A	88,64 W
	110 V/60 Hz	PSU Utama	0,87 A	88,43 W
	120 V/60 Hz	PSU Utama	0,80 A	88,22 W
	220 V/50 Hz	PSU Utama	0,49 A	89,28 W
	240 V/50 Hz	PSU Utama	0,45 A	89,70 W

Model	Tegangan Input	Konfigurasi Catu Daya	Konsumsi Arus Tetap Maksimum (A)	Daya Tetap Maksimum (W)
N1108EP-ON	100 V/60 Hz	Adaptor daya eksternal 54VDC	1,62A	157W
	110 V/60 Hz	Adaptor daya eksternal 54VDC	1,47A	157W
	120 V/60 Hz	Adaptor daya eksternal 54VDC	1,35A	157W
	220 V/50 Hz	Adaptor daya eksternal 54VDC	0,74A	157W
	240 V/50 Hz	Adaptor daya eksternal 54VDC	0,67A	157W
N1124P-ON	100 V/60 Hz	PSU Utama	2,66 A	260,66 W
	110 V/60 Hz	PSU Utama	2,38 A	257,95 W
	120 V/60 Hz	PSU Utama	2,16 A	256,27 W
	220 V/50 Hz	PSU Utama	1,18 A	250,52 W
	240 V/50 Hz	PSU Utama	1,10 A	251,25 W
N1148P-ON	100 V/60 Hz	PSU Utama	4,78 A	476,03 W
	110 V/60 Hz	PSU Utama	4,32 A	472,64 W
	120 V/60 Hz	PSU Utama	3,95 A	470,58 W
	220 V/50 Hz	PSU Utama	2,14 A	459,37 W
	240 V/50 Hz	PSU Utama	1,97 A	459,06 W

Sistem Ventilasi

Satu kipas pendingin pada switch N1108T-ON/N1108P-ON, dan dua kipas pendingin pada switch N1024T-ON/N1024P-ON/N1048T-ON/N1048P-ON. Kipas tersebut tidak dapat diganti di lapangan. N1108EP-ON adalah sakelar tanpa kipas.

Ringkasan Model Seri N1100-ON





Tabel 1-2. Nomor Regulatori Switch Seri N1100-ON

Nama Model Pemasaran (Marketing Model Name / MMN)	Deskripsi	Unit Suplai Daya (PSU)	Nomor Model Regulatori (Regulatory Model Number / RMN)	Nomor Jenis Regulatori (Regulatory Type Number / RTN)
N1108T-ON	Port 10x1G/2x1G SFP	DPS-24GP	E17W	E17W001
N1108P-ON	SFP 10x1G/2x1G/2xPoE+ Port	DPS-80AP/ DPS-24GP	E17W	E17W001
N1108EP-ON	Port 8x1G PoE+/2x1G PD/ 2x1G SFP	ADP-280BR	E48W	E48W001
N1124T-ON	Port 24x1G/4x10G SFP+	DPS-40AP	E18W	E18W001
N1124P-ON	Port 24x1G/4x10G SFP+/ 6xPoE+	EDPS-250BF	E18W	E18W001
N1148T-ON	Port 48x1G/4x10G SFP+	DPS-60AP	E18W	E18W002
N1148P-ON	Port 48x1G/4x10G SFP+/ 12xPoE+	YM-2501D	E18W	E18W002

Pemasangan N1108T-ON/N1108P-ON/ N1108EP-ON

Memasang Sakelar N1108T-ON/N1108P-ON Menggunakan Dell Tandem Tray

Konektor daya AC ada di panel belakang.

-  **PERINGATAN:** Bacalah informasi keselamatan di *Informasi Keselamatan dan Regulatori* serta informasi keselamatan untuk switch lain yang disambungkan ke atau yang menopang switch tersebut.
 -  **PERINGATAN:** Jangan gunakan kit pemasangan rak untuk menggantung switch dari bawah meja atau meja tulis, atau memasangkannya ke dinding.
 -  **PERHATIAN:** Lepaskan sambungan semua switch sebelum melanjutkan. Lepaskan semua alas berperekat dari bagian bawah switch, jika telah dipasangkan sebelumnya.
 -  **PERHATIAN:** Saat memasang beberapa switch ke dalam rak, pasang switch mulai dari bawah ke atas.
- 1 Tahan switch N1108T-ON/N1108P-ON pada Dell Tandem Tray Kit seperti yang ditunjukkan pada Gambar 1-1.

Gambar 1-1. Kit Baki Tandem Dell



- 2 Masukkan switch ke dalam rak berukuran 48,26 cm (19 inci), pastikan bahwa lubang pemasangan di rak pada kit tersebut sejajar dengan lubang pemasangan yang ada di rak.
- 3 Amankan kit ke rak menggunakan baut atau mur sangkar dari rak; atau baut mur-sangkar dengan washer (tergantung pada jenis rak yang Anda miliki). Kencangkan baut yang ada di bagian bawah sebelum mengencangkan baut yang ada di bagian atas.

Memasang N1108T-ON/N1108P-ON/N1108EP-ON pada Two-Post Rack Menggunakan Braket L Besar

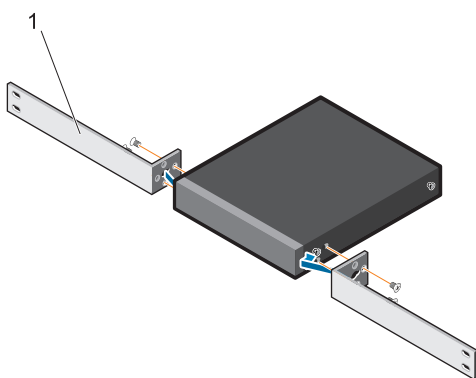
CATATAN: Konektor daya AC ada di panel belakang switch N1108T-ON/N1108P-ON. Konektor daya DC untuk N1108EP-ON ada di tengah panel belakang.

CATATAN: Switch N1108EP-ON menggunakan adaptor daya eksternal. Tidak ada kit pemasangan yang tersedia untuk adaptor daya eksternal N1108EP-ON. Saat memasang N1108EP-ON, tempatkan adaptor daya eksternal jauh dari switch.

PERHATIAN: Karena N1108EP-ON adalah switch tanpa kipas, jangan letakkan adaptor daya eksternal di atas switch untuk menghindari panas berlebih.

- 1 Letakkan braket pemasangan rak yang disediakan pada salah satu sisi switch, untuk memastikan bahwa lubang pemasangan pada switch sejajar dengan lubang pemasangan pada dudukan braket rak. Lihat item 1 di Gambar 1-2.

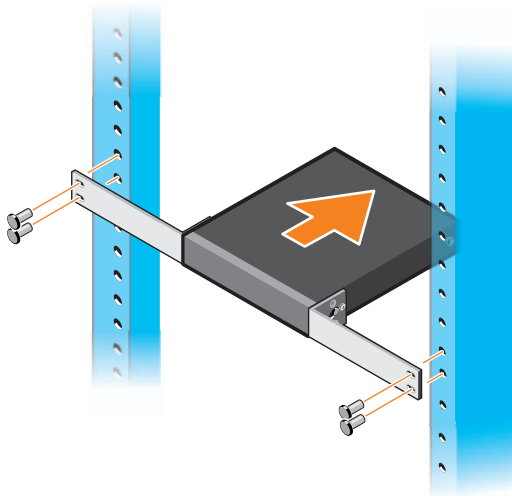
Gambar 1-2. Memasang Menggunakan Kit Braket L Besar



- 2 Pasang baut yang telah disediakan ke lubang pemasangan rak dan kencangkan dengan obeng.

- 3 Ulangi proses pada sisi lain switch.
- 4 Masukkan switch dan rakitan rel ke dalam rak dari sisi depan rak. Pastikan lubang pemasangan rak pada switch sejajar dengan lubang pemasangan pada rak.
- 5 Tahan switch ke rak menggunakan sekrup rak. Kencangkan pasangan sekrup bagian bawah sebelum mengencangkan pasangan sekrup bagian atas. Lihat Gambar 1-3.

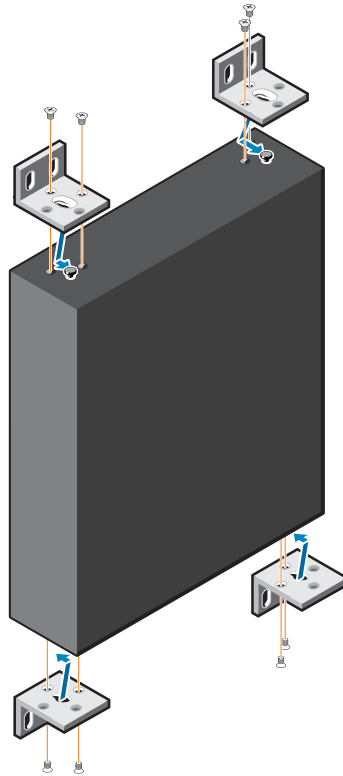
Gambar 1-3. Pasang pada Two-post Rack dengan Braket L



Memasang semua Switch N11xx-ON pada Dinding

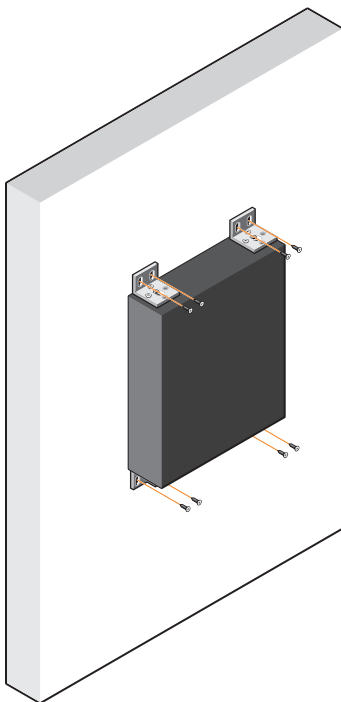
- 1 Pastikan lokasi pemasangan memenuhi persyaratan berikut:
 - Permukaan dinding dapat mendukung switch.
 - Lokasi memiliki sistem ventilasi untuk mencegah pembentukan panas.
- 2 Letakkan bracket pemasangan-di-dinding yang dipasok pada salah satu sisi sakelar, untuk memastikan bahwa lubang pemasangan pada sakelar sejajar dengan lubang pemasangan pada bracket pemasangan-di-dinding.
- 3 Pasang sekrup yang telah disediakan ke lubang pemasangan-di-dinding dan kencangkan dengan obeng. Lihat Gambar 1-4.

Gambar 1-4. Memasukkan Dudukan Braket



- 4** Ulangi proses untuk bracket pemasangan-di-dinding di sisi lain sakelar tersebut.
- 5** Letakkan sakelar di dinding pada lokasi tempat sakelar tersebut dipasang.
- 6** Tandai lokasi pada dinding di mana sekrup untuk menahan switch harus disiapkan.
- 7** Pada lokasi yang sudah ditandai, buatlah lubang menggunakan bor dan pasang kedelapan jangkar yang disediakan pada lubang.
- 8** Pasang sekrup yang telah disediakan ke lubang pemasangan di dinding dan kencangkan dengan obeng. Lihat Gambar 1-5.

Gambar 1-5. Memasang pada Dinding



Pemasangan N1124T-ON/N1124P-ON/ N1148T-ON/ N1148P-ON

Pemasangan Switch N1124T-ON/N1124P-ON/ N1148T-ON/ N1148P-ON di Rak

⚠ PERINGATAN: Bacalah informasi keselamatan di *Informasi Keselamatan dan Regulatori* serta informasi keselamatan untuk switch lain yang disambungkan ke atau yang menopang switch tersebut.

Konektor daya listrik AC ada di panel belakang switch.

Memasang di Rak

⚠ PERINGATAN: Jangan gunakan kit pemasangan rak untuk menggantung switch dari bawah meja atau meja tulis, atau memasangkannya ke dinding.

⚠ PERHATIAN: Lepaskan sambungan semua switch sebelum melanjutkan. Lepaskan semua alas berperekat dari bagian bawah switch, jika telah dipasangkan sebelumnya.

⚠ PERHATIAN: Saat memasang beberapa switch ke dalam rak, pasang switch mulai dari bawah ke atas.


- 1 Letakkan bracket untuk pemasangan di rak yang disediakan pada salah satu sisi switch, pastikan bahwa lubang pemasangan pada switch tersebut sejajar dengan lubang pemasangan yang ada di bracket pemasangan di rak. Gambar 1-6 mengilustrasikan tempat untuk memasangkan bracket tersebut.

Gambar 1-6. Memasang Bracket




- 2 Masukkan baut yang disediakan ke dalam lubang pemasangan di rak dan kencangkan dengan obeng.
- 3 Ulangi proses tersebut untuk bracket pemasangan di rak yang ada di sisi lain switch tersebut.
- 4 Masukkan switch ke dalam rak berukuran 48,26 cm (19 inci), pastikan bahwa lubang pemasangan di rak pada bracket tersebut sejajar dengan lubang pemasangan yang ada di rak.
- 5 Amankan bracket ke rak menggunakan baut atau mur sangkar dari rak; atau baut mur-sangkar dengan washer (tergantung pada jenis rak yang Anda miliki). Kencangkan baut yang ada di bagian bawah sebelum mengencangkan baut yang ada di bagian atas.

 **PERHATIAN:** Pastikan baut rak yang disediakan pas dengan lubang yang telah dijalin sebelumnya di rak.

 **CATATAN:** Pastikan lubang ventilasi tidak terganggu.

Memasang sebagai Switch yang Berdiri-sendiri

 **CATATAN:** DellKami sangat menyarankan untuk memasang switch pada rak.

Pasang switch pada permukaan yang datar jika Anda tidak memasangkannya di dalam rak. Permukaan tersebut harus dapat menopang berat switch dan kabel switch. Switch dilengkapi dengan empat buah alas karet berperekat.

- 1 Pasangkan alas karet berperekat tersebut ke setiap lokasi yang ditandai di bagian bawah switch.
- 2 Atur switch di atas permukaan datar, pastikan switch memiliki ventilasi yang sesuai dengan memberi jarak 5 cm (2 inci) pada setiap sisi dan memberi jarak sebesar 13 cm (5 inci) di bagian belakang.

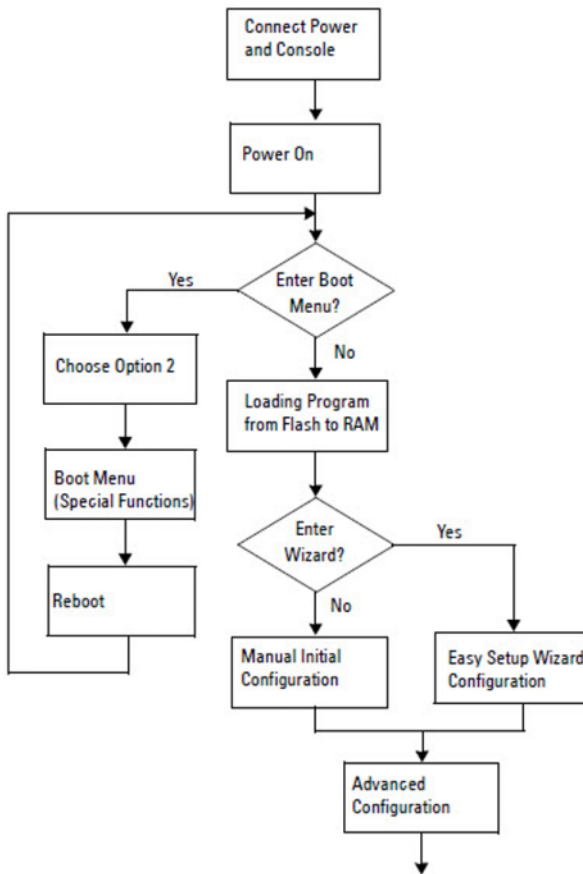
Menumpuk Beberapa Switch N1124T-ON/ N1124P-ON/ N1148T-ON/ N1148P-ON

Anda dapat menumpuk switch N1124T-ON/N1124P-ON/N1148T-ON/ N1148P-ON hingga empat buah switch menggunakan port 10G SFP+ yang terletak di depan switch tersebut. Port tersebut harus dikonfigurasi untuk menopang penumpukan. Saat beberapa switch disambungkan bersama menggunakan port tumpukan, mereka akan beroperasi sebagai unit tunggal dengan hingga 208 port panel depan. Tumpukan tersebut akan beroperasi dan dikelola sebagai satu entitas tunggal. Merujuklah ke *Panduan Konfigurasi Pengguna* dan *Panduan Referensi CLI* untuk informasi selengkapnya.

Memulai dan Mengonfigurasi Switch Seri N1100-ON


Diagram alir berikut ini menyediakan ikhtisar langkah-langkah yang Anda gunakan untuk melakukan konfigurasi awal setelah switch tersebut dibuka dari kemasannya dan dipasang.


Gambar 1-7. Diagram Alir Instalasi dan Konfigurasi



Menyambungkan Switch Seri N1100-ON ke Terminal

Setelah menyelesaikan semua sambungan eksternal, konfigurasi switch dengan cara menyambungkannya ke terminal.

 **CATATAN:** Bacalah Catatan Rilis untuk produk ini sebelum melanjutkan. Anda dapat mengunduh Catatan Rilis dari situs web Dell Support di dell.com/support.

 **CATATAN:** Dell merekomendasikan agar Anda mendapatkan dokumentasi pengguna versi terbaru dari situs web Dell Support di dell.com/support.

Untuk memantau dan mengonfigurasi switch melalui konsol USB, gunakan port konsol yang ada di panel depan switch untuk menyambungkannya ke komputer yang menjalankan perangkat lunak emulasi terminal VT100 menggunakan kabel USB yang disediakan. Anda mungkin perlu mengunduh dan menginstal driver pada saat pertama kali menggunakan kabel USB tersebut.

Peralatan berikut ini diperlukan untuk menggunakan port konsol:

- Komputer yang kompatibel VT100 dengan port USB yang menjalankan perangkat lunak emulasi terminal VT100, seperti HyperTerminal® dan driver USB.
- Kabel USB yang disediakan dengan konektor USB tipe B untuk port konsol dan konektor USB untuk PC host.

Lakukan tugas berikut untuk menghubungkan terminal ke port konsol switch:

- 1 Sambungkan konektor USB tipe B pada switch yang disediakan dan sambungkan ujung lainnya ke komputer yang menjalankan perangkat lunak emulasi terminal VT100.
- 2 Konfigurasi perangkat lunak emulasi terminal sebagai berikut:
 - a Pilih port serial yang sesuai (misalnya, COM 1) untuk terhubung ke konsol.
 - b Atur laju data ke 115.200 baud.
 - c Atur format data ke 8 data bits, 1 stop bit, dan no parity (tanpa paritas).
 - d Atur kontrol aliran ke none (nihil).
 - e Atur mode emulasi terminal ke VT100.
 - f Pilih Terminal keys (Tombol Terminal) untuk tombol Fungsi, Panah, dan Ctrl. Pastikan pengaturan tersebut adalah untuk tombol Terminal (bukan untuk tombol Microsoft Windows).

- 3 Sambungkan konektor USB tipe B pada kabel langsung ke port konsol switch. Port konsol Dell Networking terletak di sisi kanan panel depan dan diberi label dengan simbol |O|O|.



CATATAN: Akses konsol serial ke pengelola tumpukan tersedia dari port konsol mana pun melalui CLI lokal. Hanya mendukung satu sesi konsol USB dalam satu waktu.

Seri N1100-ONMenyambungkan Switch ke Sumber Daya



PERHATIAN: Bacalah informasi keselamatan di manual *Informasi Keselamatan dan Regulatori* serta informasi keselamatan untuk switch lain yang disambungkan ke atau mendukung switch tersebut.

Model N1108T-ON dan N1108P-ON memiliki satu catu daya internal. Penerima daya ada di panel belakang. N1108EP-ON menggunakan sebuah adaptor daya DC eksternal. Adaptor daya DC eksternal

Koneksi Daya AC dan DC

- 1 Pastikan port konsol switch disambungkan ke PC yang menjalankan emulator terminal VT100 melalui USB ke kabel USB tipe B.
- 2 Dengan menggunakan kabel daya standar sepanjang 5-kaki (1,5 m) yang tersambung ke kabel arde pengaman, sambungkan kabel tersebut ke steker daya listrik AC yang terletak di panel belakang.
Switch model PoE memiliki kabel daya heavy-duty dengan konektor bertakik untuk steker daya switch. Anda wajib menggunakan jenis kabel ini untuk switch yang mendukung PoE.
- 3 Sambungkan kabel daya ke stopkontak listrik AC yang ditanahkan.

Melakukan Boot Pada Switch Seri N1100-ON

Saat daya dihidupkan dengan terminal lokal sudah terpasang, switch akan melakukan uji mandiri penghidupan daya (power-on self-test / POST). POST dijalankan setiap kali switch diinisialisasi dan memeriksa komponen perangkat keras untuk menentukan apakah switch tersebut beroperasi penuh sebelum benar-benar melakukan boot. Jika POST mendeteksi masalah kritis, aliran program akan berhenti. Jika POST berhasil lulus, firmware yang valid akan dimuat ke dalam RAM. Pesan POST ditampilkan pada terminal dan menunjukkan apakah tes tersebut berhasil atau gagal. Proses boot berjalan selama sekitar 60 detik.

Anda dapat memunculkan menu **Boot** setelah POST bagian pertama selesai dilakukan. Dari menu **Boot**, Anda dapat melakukan tugas konfigurasi seperti mengatur ulang sistem ke pengaturan bawaan pabrik, mengaktifkan gambar cadangan, atau memulihkan kata sandi. Untuk informasi selengkapnya tentang fungsi menu **Boot**, merujuklah ke *Panduan Referensi CLI*.

Melakukan Konfigurasi Awal Seri N1100-ON

Prosedur konfigurasi awal didasarkan pada asumsi berikut ini:

- Switch Dell Networking tidak pernah dikonfigurasi sebelumnya.
- Switch Dell Networking berhasil di-boot.
- Koneksi konsol sudah dibuat, dan prompt **Wizard Pengaturan Mudah Dell** akan muncul pada layar PC yang menjalankan perangkat lunak emulasi terminal.

Konfigurasi switch awal dilakukan melalui port konsol. Setelah konfigurasi awal, Anda dapat mengelola switch tersebut dari port konsol yang telah disambungkan atau dari jarak jauh melalui antarmuka yang telah ditetapkan selama konfigurasi awal.



CATATAN: Switch tidak dikonfigurasi dengan nama pengguna, kata sandi, atau alamat IP bawaan.

Sebelum menyiapkan konfigurasi awal dari switch, dapatkan informasi berikut ini dari administrator jaringan Anda:

- Alamat IP yang akan ditetapkan ke antarmuka manajemen.
- IP subnet mask untuk jaringan.
- Alamat IP dari gateway bawaan antarmuka manajemen.

Pengaturan ini diperlukan untuk memungkinkan manajemen switch dari jarak jauh melalui Telnet (klien Telnet) atau HTTP (Browser web).

Mengaktifkan Manajemen Jarak Jauh

Pada switch Seri N1100-ON, Anda dapat menggunakan salah satu port switch pada panel depan untuk manajemen in-band. Secara bawaan, semua port in-band adalah anggota dari VLAN 1.

Wizard Pengaturan Mudah Dell menyertakan perintah untuk mengonfigurasi informasi jaringan untuk antarmuka VLAN 1 pada switch Seri N1100-ON. Anda dapat menetapkan alamat IP statis dan subnet mask atau mengaktifkan DHCP dan mengizinkan server DHCP jaringan untuk menetapkan informasi tersebut.

Merujuklah ke *Panduan Referensi CLI* untuk mengetahui perintah untuk mengonfigurasi informasi jaringan.

Prosedur Konfigurasi Awal

Lakukan konfigurasi awal dengan menggunakan **Wizard Pengaturan Mudah Dell** atau dengan menggunakan CLI. Wizard akan otomatis dimulai saat file konfigurasi switch kosong. Anda dapat keluar dari wizard tersebut pada tahap mana saja dengan cara menekan [ctrl+z], tetapi semua pengaturan konfigurasi yang ditetapkan akan dibuang, dan switch akan menggunakan nilai pengaturan bawaan.



CATATAN: Jika Anda tidak menjalankan **Wizard Pengaturan Mudah Dell** atau tidak merespons petunjuk Easy Setup Wizard (Wizard Pengaturan Mudah) dalam waktu 60 detik, switch akan memasuki mode CLI. Anda harus mengatur ulang switch dengan konfigurasi penyalinan kosong agar dapat menjalankan kembali **Wizard Pengaturan Mudah Dell**.

Untuk informasi selengkapnya tentang cara melakukan konfigurasi awal dengan menggunakan CLI, merujuklah ke *Panduan Referensi CLI*. *Panduan Cara Memulai* ini menampilkan cara untuk menggunakan **Wizard Pengaturan Mudah Dell** untuk konfigurasi switch awal. Wizard menyiapkan konfigurasi berikut pada switch:

- Menetapkan akun pengguna awal khusus dengan kata sandi yang valid. Wizard mengonfigurasi satu akun pengguna khusus selama pengaturan.
- Mengaktifkan login CLI dan akses HTTP untuk menggunakan pengaturan otentikasi lokal saja.
- Menyiapkan alamat IP untuk antarmuka perutean VLAN 1, yang mana semua port in-band merupakan anggotanya.
- Mengatur string komunitas SNMP yang akan digunakan oleh manajer SNMP pada alamat IP yang disediakan. Lewati langkah ini jika manajemen SNMP tidak digunakan untuk switch ini.
- Memungkinkan Anda untuk menentukan alamat IP sistem manajemen jaringan atau mengizinkan akses manajemen dari semua alamat IP.
- Mengonfigurasi alamat IP gateway bawaan untuk antarmuka VLAN 1.

Sesi Contoh

Bagian ini menjelaskan sesi **Wizard Pengaturan Mudah Dell**. Nilai-nilai berikut digunakan oleh sesi contoh:

- String komunitas SNMP yang akan digunakan adalah **public** (publik).
- Alamat IP sistem manajemen jaringan (NMS) adalah **10.1.2.100**.
- Nama pengguna adalah **admin**, dan kata sandinya adalah **admin123**.
- Alamat IP untuk antarmuka perutean VLAN 1 adalah **10.1.1.200** dengan subnet mask **255.255.255.0**.
- Gateway bawaan adalah **10.1.1.1**

Wizard pengaturan akan mengonfigurasi nilai awal seperti yang ditetapkan di atas. Setelah menyelesaikan wizard tersebut, switch dikonfigurasi sebagai berikut:

- SNMPv2 diaktifkan dan string komunitas diatur seperti yang dijelaskan di atas. SNMPv3 dinonaktifkan secara bawaan.
- Akun pengguna admin diatur seperti yang telah ditetapkan.
- Sistem manajemen jaringan dikonfigurasi. Dari stasiun manajemen, Anda dapat mengakses antarmuka SNMP, HTTP, dan CLI. Anda juga dapat memilih untuk mengizinkan semua alamat IP untuk mengakses antarmuka manajemen ini dengan memilih alamat IP (0.0.0.0).
- Alamat IP dikonfigurasi untuk antarmuka perutean VLAN 1.
- Alamat gateway bawaan dikonfigurasi.



CATATAN: Dalam contoh berikut ini, kemungkinan opsi pengguna atau nilai bawaan dilampirkan di []. Jika Anda menekan <Enter> tanpa ada opsi yang ditetapkan, nilai bawaan tersebut diterima. Teks bantuan dalam tanda kurung.

Contoh Konsol Wizard Pengaturan Mudah Dell

Contoh berikut berisi urutan petunjuk dan respons yang berkaitan dengan menjalankan contoh sesi **Wizard Pengaturan Mudah Dell**, menggunakan input nilai yang tercantum di atas.

Setelah switch menyelesaikan POST dan di-boot, dialog berikut ini akan muncul:

```
Unit 1 - Waiting to select management unit)>
```

```
_____Dell SupportAssist EULA_____
```

```
I accept the terms of the license agreement. You can reject the license agreement by configuring this command 'eula-consent support-assist reject'.
```

```
By installing SupportAssist, you allow Dell to save your contact information (e.g. name, phone number and/or email address) which would be used to provide technical support for your Dell products and services Dell may use the information for providing recommendations to improve your IT infrastructure. Dell SupportAssist also collects and stores machine diagnostic information, which may include but is not limited to configuration information, user supplied contact information, names of data volumes, IP addresses, access control lists, diagnostics & performance information, network configuration information, host/server configuration & performance information and related data (Collected Data) and transmits this information to Dell. By downloading SupportAssist and agreeing to be bound by these terms and the Dell end user license agreement, available at: http://www.dell.com/aeula, you agree to allow Dell to provide remote monitoring services of your IT environment and you give Dell the right to collect the Collected Data in accordance with Dell's Privacy Policy, available at: http://www.dell.com/privacypolicycountryspecific, in order to enable the performance of all of the various functions of SupportAssist during your entitlement to
```

receive related repair services from Dell. You further agree to allow Dell to transmit and store the Collected Data from SupportAssist in accordance with these terms. You agree that the provision of SupportAssist may involve international transfers of data from you to Dell and/or to Dell's affiliates, subcontractors or business partners. When making such transfers, Dell shall ensure appropriate protection is in place to safeguard the Collected Data being transferred in connection with SupportAssist. If you are downloading SupportAssist on behalf of a company or other legal entity, you are further certifying to Dell that you have appropriate authority to provide this consent on behalf of that entity. If you do not consent to the collection, transmission and/or use of the Collected Data, you may not download, install or otherwise use SupportAssist.

AeroHive HiveManager NG EULA

This switch includes a feature that enables it to work with HiveManager (an optional management suite), by sending the switch's service tag number and IP Address to HiveManager to authenticate your entitlement to use HiveManager. If you wish to disable this feature, you should run command 'eula-consent hiveagent reject' immediately upon powering up the switch for the first time, or at any time thereafter.

Applying Global configuration, please wait...

Welcome to Dell Easy Setup Wizard

The setup wizard guides you through the initial switch configuration, and gets you up and running as quickly as possible. You can skip the setup wizard, and enter CLI mode to manually configure the switch. You must respond to the next question to run the setup wizard within 60 seconds, otherwise the system will continue

with normal operation using the default system configuration. Note: You can exit the setup wizard at any point by entering [ctrl+z].

Would you like to run the setup wizard (you must answer this question within 60 seconds)? [Y/N] **y**

Step 1:

The system is not set up for SNMP management by default. To manage the switch using SNMP (required for Dell Network Manager) you can

- . Set up the initial SNMP version 2 account now.
- . Return later and set up other SNMP accounts. (For more information on setting up an SNMP version 1 or 3 account, see the user documentation).


Would you like to set up the SNMP management interface now? [Y/N] **y**

To set up the SNMP management account you must specify the management system IP address and the "community string" or password that the particular management system uses to access the switch. The wizard automatically assigns the highest access level [Privilege Level 15] to this account. You can use Dell Network Manager or other management interfaces to change this setting, and to add additional management system information later. For more information on adding management systems, see the user documentation.

To add a management station:

Please enter the SNMP community string to be used.

[public]: **public**

 **CATATAN:** Jika dikonfigurasi, level akses bawaan diatur ke akses tertinggi yang tersedia untuk antarmuka manajemen SNMP tersebut. Pada awalnya hanya SNMPv2 yang akan diaktifkan. SNMPv3 dinonaktifkan sampai Anda kembali untuk mengonfigurasi akses keamanan untuk SNMPv3 (misalnya ID engine, tampilan, dll.).

Please enter the IP address of the Management System (A.B.C.D) or wildcard (0.0.0.0) to manage from any Management Station. [0.0.0.0]: **10.1.2.100**

Step 2:

Now we need to set up your initial privilege (Level 15) user account. This account is used to login to the CLI and Web interface. You may set up other accounts and change privilege levels later. For more information on setting up user accounts and changing privilege levels, see the user documentation.

To set up a user account:

```
Please enter the user name. [root]:admin
Please enter the user password: *****
Please reenter the user password: *****
```

Step 3:

Next, an IP address is set up on the VLAN 1 routing interface.

You can use the IP address to access the CLI, Web interface, or SNMP interface of the switch.

To access the switch through any Management Interface you can

- . Set up the IP address for the Management Interface.
- . Set up the default gateway if IP address is manually configured on the routing interface.

Step 4:

```
Would you like to set up the VLAN1 routing interface now? [Y/N] y
```

```
Please enter the IP address of the device (A.B.C.D) or enter "DHCP" (without the quotes) to automatically request an IP address from the network DHCP server:  
10.1.1.200
```

```
Please enter the IP subnet mask (A.B.C.D or /nn):  
255.255.255.0
```

Step 5:

Finally, set up the default gateway. Please enter the IP address of the gateway from which this network is reachable. [0.0.0.0]: **10.1.1.1**

This is the configuration information that has been collected:

```
SNMP Interface = "public"@10.1.2.100
User Account setup = admin
Password = *****
VLAN1 Router Interface IP = 10.1.1.200 255.255.255.0
Default Gateway = 10.1.1.1
```

Step 6:

If the information is correct, please enter (Y) to save the configuration and copy the settings to the start-up configuration file. If the information is incorrect, enter (N) to discard the configuration and restart the wizard: [Y/N] **y**

Thank you for using the Dell Easy Setup Wizard. You will now enter CLI mode.

Applying Interface configuration, please wait...

Langkah Berikutnya

Setelah menyelesaikan konfigurasi awal yang dijelaskan di dalam bagian ini, sambungkan salah satu port switch panel-depan ke jaringan produksi Anda untuk manajemen jarak jauh in-band.

Jika Anda menetapkan DHCP untuk alamat IP antarmuka manajemen VLAN 1, antarmuka tersebut akan mendapatkan alamat IP-nya dari server DHCP pada jaringan. Untuk menemukan alamat IP yang ditetapkan secara dinamis, gunakan koneksi port konsol untuk mengajukan perintah berikut ini:

- Untuk antarmuka perutean VLAN 1, masukkan **show ip interface** (tampilkan antarmuka ip).

Untuk mengakses antarmuka Dell OpenManage Switch Administrator (Administrator Switch Dell OpenManage), masukkan alamat IP antarmuka manajemen VLAN 1 ke kolom alamat di browser Web. Untuk akses manajemen jarak jauh ke CLI, masukkan alamat IP antarmuka manajemen VLAN 1 ke klien Telnet atau SSH. Alternatif lain, Anda dapat terus menggunakan port konsol untuk akses CLI lokal ke switch tersebut.

Switch Seri N1100-ON mendukung fitur pengalihan dasar seperti VLAN dan memperluas protokol pohon struktur. Gunakan antarmuka manajemen berbasis web atau CLI untuk mengonfigurasi fitur yang diperlukan jaringan Anda. Untuk informasi tentang cara mengonfigurasi fitur switch, lihat *Panduan Konfigurasi Pengguna* atau *Panduan Referensi CLI* yang tersedia pada situs dukungan: dell.com/support.

Kepatuhan agensi

Switch N1108T-ON, N1108P-ON, N1108EP-ON, N1124T-ON, N1124P-ON, N1148T-ON, dan N1148P-ON memenuhi persyaratan keselamatan dan agensi berikut:

Kepatuhan terhadap VCCI Jepang untuk peralatan kelas A

Gambar 1-8. Jepang: Kepatuhan terhadap VCCI untuk peralatan kelas A

この装置は、クラスA機器です。この装置を住宅環境で使用すると電波妨害を引き起こすことがあります。この場合には使用者が適切な対策を講ずるよう要求されることがあります。

VCCI – A

Ini adalah produk Kelas A berdasarkan standar Voluntary Control Council For Interference by Information Technology Equipment (VCCI). Jika peralatan ini digunakan pada lingkungan rumah tangga, gangguan radio dapat terjadi. Jika masalah tersebut terjadi, pengguna mungkin diwajibkan untuk mengambil langkah perbaikan.

PERINGATAN: Hanya gunakan kabel daya AC dengan peralatan Dell EMC. Jangan gunakan kabel daya AC Dell EMC dengan perangkat keras yang tidak semestinya.

Gambar 1-9. Jepang: label peringatan

本製品に同梱いたしております電源コードセットは、本製品専用です。本電源コードセットは、本製品以外の製品ならびに他の用途でご使用いただくことは出来ません。製品本体には同梱された電源コードセットを使用し、他製品の電源コードセットを使用しないで下さい。

Sertifikasi kepatuhan India

Produk ini sesuai dengan peraturan *Essential Requirements of Telecommunication Engineering Centre (TEC)* yang relevan.


Sertifikasi kepatuhan Korea

Gambar 1-10. Sertifikasi kepatuhan Korea

A급 기기
(업무용 방송통신기자재)

이 기기는 업무용(A급) 전자파적합기기로서 판매자 또는 사용자는 이 점을 주의하시기 바라며, 가정외의 지역에서 사용하는 것을 목적으로 합니다.

Gambar 1-11. Label kemasan Korea

	 [equipment type]
품명(Product Name)	Ethemet Switch
모델명(Model)	[model number]
신청인(Applicant)	Dell Technologies
제조사(Manufacturer)	
제조년월(Manufacturing Date)	[date]
제조국(Country of Origin)	China

Standar keselamatan dan sertifikasi kepatuhan agensi

- IEC 62368-1, Edisi ke-2
- CUS UL 60950-1, Edisi ke-2
 - Sesuai atau melebihi uji Hi Pot dan Ground Continuity per UL 60950-1.
- AS/NZS 60950
- CSA 60950-1-03, Edisi ke-2
- EN 60950-1, Edisi ke-2
- EN 60825-1, Edisi ke-1
- EN 60825-1 Keamanan Produk Laser—Bagian 1: Syarat Klasifikasi Peralatan dan Panduan Pengguna

- EN 60825-2 Keamanan Produk Laser—Bagian 2: Keamanan Sistem Komunikasi Serat Optik
- Peraturan FDA 21CFR 1040.10 dan 1040.11
- IEC 60950-1, Edisi ke-2, termasuk semua Deviasi Nasional dan Perbedaan Kelompok

Kompatibilitas elektromagnetik

Emisi

- Internasional: CISPR 32: Kelas A
- Australia/Selandia Baru: AS/NZS CISPR 32, Kelas A
- Kanada: ICES-003, Edisi ke-4, Kelas A
- Eropa: EN55032:2015 (CISPR 32), Kelas A
- EN55032
- Jepang: VCCI Kelas A
- Korea: KN32, Kelas A
- Taiwan: CNS13438, Kelas A
- AS: FCC CFR47 Bagian 15, Subbagian B, Kelas A


Kekebalan

- EN 300 386 EMC untuk Peralatan Jaringan
- EN 55024
- EN 61000-3-2 Emisi Arus Harmonis
- EN 61000-3-3 Fluktuasi dan Kedip Tegangan
- EN 61000-4-2 ESD
- EN 61000-4-3 Kekebalan Radiasi
- EN 61000-4-4 EFT
- EN 61000-4-5 Lonjakan Arus
- EN 61000-4-6 Kekebalan Terkonduksi Frekuensi Rendah

Pendaurulangan dan pembuangan produk

Anda harus mendaur ulang atau membuang sistem ini sesuai dengan peraturan setempat dan nasional yang berlaku. Dell EMC mendorong pemilik peralatan teknologi informasi (IT) untuk mendaur ulang peralatan mereka ketika sudah tidak dibutuhkan. Dell EMC menawarkan beragam program dan layanan pengembalian produk di beberapa negara untuk membantu pemilik peralatan dalam mendaur ulang produk IT mereka.

Ketinggian Pengoperasian— Pembaruan Informasi

 **CATATAN:** Pembatasan ketinggian pengoperasian yang disediakan dalam dokumen ini hanya berlaku untuk sistem yang dikirimkan ke Tiongkok.

Informasi berikut ini memenuhi persyaratan standar negara Tiongkok resmi:

- Ketinggian pengoperasian berkisar antara –15,2 m hingga 2000 m (–50 kaki hingga 6560 kaki).
- Pada ketinggian di atas 2950 kaki, suhu pengoperasian maksimum berkurang sebesar 1 °F/550 kaki.

Dell Networking
N1108T-ON/N1108P-ON/
N1108EP-ON/N1124T-ON/
N1124P-ON/N1148T-ON/
N1148P-ON スイッチ
『はじめに』



認可モデル : E17W および E18W

メモ、注意、警告



メモ：スイッチを使いやすくするための重要な情報を説明しています。



注意：ハードウェアの損傷やデータの損失の可能性を示し、その問題を回避するための方法を説明しています。



注意：物的損害、けが、または死亡の原因となる可能性があることを示しています。



リチウムバッテリーに関する注意：

- ・ バッテリーを誤って交換すると爆発する恐れがあります。同じ種類、または同等の種類のみご使用ください。製造元の指示に従って処分してください。
- ・ バッテリーを処分する際、火の中や熱い窯に入れたり、機械で粉碎または切削したりすると、爆発する恐れがあります。
- ・ 非常に高温の場所にバッテリーを放置すると、可燃性の液体やガスの漏洩、または爆発の恐れがあります。
- ・ バッテリーが空気圧の非常に低い場所にある場合、可燃性の液体やガスの漏洩、または爆発の恐れがあります。
- ・ デバイスは、処置室や機械室など、固定の場所に設置して使用してください。デバイスを設置する場合、ソケットのコンセントがアース保護されていることを熟練技術者が確認してください。

© 2019 Dell Inc. or its subsidiaries. All rights reserved. 本製品は、米国および国際的な著作権法および知的財産法によって保護されています。Dell、およびデルのロゴは、米国および/またはその他管轄区域における Dell Inc. の商標です。本書で使用されているその他すべての商標および名称は、各社の商標である場合があります。

認可モデル：E17W および E18W

2019年5月 P/N JJHMV Rev.A01

内容

1 はじめに 133

N1100-0N シリーズ ハードウェアの概要 . . . 133

N1100-0N シリーズ PoE スイッチの

電力消費 133

通気システム 134

N1100-0N シリーズ モデルの概要 135

2 N1108T-0N/N1108P-0N/ N1108EP-0N の設置 136

Dell タンDEM トレイを使用した N1108T-0N/ N1108P-0N スイッチの取り付け 136

大型 L-ブラケットを使用した 2ポスト ラックへの N1108T-0N/N1108P-0N/N1108EP-0N の取り付け 137

壁面へのすべての N11xx-0N スイッチの 取り付け 138

3 N1124T-0N/N1124P-0N/N1148T-0N/ N1148P-0N の取り付け 141

N1124T-0N/N1124P-0N/ N1148T-0N/ N1148P-0N スイッチのラック取り付け 141

ラックへの取り付け 141

独立型のスイッチとしてインストール 142

複数の N1124T-0N/N1124P-0N/ N1148T-0N/ N1148P-0N スイッチのスタッキング 142

4	N3000ET-0N/N3000EP-0N スイッチの 開始および設定 N1100-0N シリ ーズ 設定	143
	N1100-0N シリーズ スイッチの端末への接続	144
	N1100-0N シリーズ スイッチの電源への接続	145
	AC および DC 電源 の接続	145
	スイッチの起動 N1100-0N シリーズ	146
	N1100-0N シリーズ の初期設定の実行	147
	リモート管理の有効化	147
	初期設定の手順	148
	セッションの例	149
	Dell Easy Setup Wizard コンソールの例	150
	次の手順	154
5	機関法令遵守	156
6	動作高度 - 情報アップデート	159

はじめに

本書では、Dell Networking N1100-ON シリーズ スイッチに関する基本情報として、本スイッチの取り付け方法および初期設定方法を説明します。スイッチ機能の設定および監視方法の詳細については、dell.com/support にあるデルサポートサイトで入手できる『ユーザー設定ガイド』を参照してください。マニュアルおよびファームウェアの最新アップデートについては、サポートウェブサイトを参照してください。



メモ：スイッチ管理者は、最新版の Dell Networking オペレーティングシステム (DNOS) 上の Dell Networking スイッチを保守することを強く推奨します。Dell Networking は、お客様のフィードバックに基づいて DNOS の機能を絶えず向上させています。重要なインフラストラクチャについては、DNOS バージョンとのネットワーク設定および操作を検証するために、新しいリリースの事前ステージをネットワークの重要性の低い部分に行うことをお勧めします。

N1100-ON シリーズ ハードウェアの概要

本項では、Dell Networking N1100-ON シリーズ スイッチのデバイスの特徴およびモジュラーハードウェア構成について説明します。

メモ： N1108EP-ON スイッチは、外付けの電源アダプタを使用します。N1108EP-ON 外付け電源アダプタには、取り付けキットはありません。N1108EP-ON を取り付ける場合、外付け電源アダプタをスイッチから離して設置します。

N1100-ON シリーズ PoE スイッチの電力消費

表 1-1 では、N1100-ON シリーズ PoE スイッチの電力消費について記載しています。PoE の電力バジェットは、N1108P-ON が 60W、N1108EP-ON が 123W、N1124P-ON が 185W、N1148T-ON が 370W です。

表 1-1. N1100-ON シリーズ PoE スイッチの消費電力

モデル	入力電圧	電源設定	最大定常電流消費 (A)	最大定常電力 (W)
N1108P-ON	100V/60Hz	メイン PSU	0.95A	88.64W
	110V/60Hz	メイン PSU	0.87A	88.43W
	120V/60Hz	メイン PSU	0.80A	88.22W
	220V/50Hz	メイン PSU	0.49A	89.28W
	240V/50Hz	メイン PSU	0.45A	89.70W

モデル	入力電圧	電源設定	最大定常電流消費 (A)	最大定常電力 (W)
N1108EP-ON	100V/60Hz	54VDC 外付け電源アダプタ	1.62A	157W
	110V/60Hz	54VDC 外付け電源アダプタ	1.47A	157W
	120V/60Hz	54VDC 外付け電源アダプタ	1.35A	157W
	220V/50Hz	54VDC 外付け電源アダプタ	0.74A	157W
	240V/50Hz	54VDC 外付け電源アダプタ	0.67A	157W
N1124P-ON	100V/60Hz	メイン PSU	2.66A	260.66W
	110V/60Hz	メイン PSU	2.38A	257.95W
	120V/60Hz	メイン PSU	2.16A	256.27W
	220V/50Hz	メイン PSU	1.18A	250.52W
	240V/50Hz	メイン PSU	1.10A	251.25W
N1148P-ON	100V/60Hz	メイン PSU	4.78A	476.03W
	110V/60Hz	メイン PSU	4.32A	472.64W
	120V/60Hz	メイン PSU	3.95A	470.58W
	220V/50Hz	メイン PSU	2.14A	459.37W
	240V/50Hz	メイン PSU	1.97A	459.06W

通気システム

1 台のファンで N1108T-ON/N1108P-ON スイッチを冷却し、2 台のファンで N1024T-ON/N1024P-ON/N1048T-ON/N1048P-ON スイッチを冷却します。ファンは現場で交換できません。N1108EP-ON は、ファンレススイッチです。

N1100-ON シリーズ モデルの概要

表 1-2. N1100-ON シリーズ スイッチ 認可番号

マーケティング モデル名 (MMN)	説明	電源装置ユ ニット (PSU)	認可モデ ル番号 (RMN)	認可タイ プ番号 (RTN)
N1108T-ON	10x1G/2x1G SFP ポート	DPS-24CP	E17W	E17W001
N1108P-ON	10x1G/2x1G SFP/2xPoE+ ポート	DPS-80AP/ DPS-24CP	E17W	E17W001
N1108EP-ON	8x1G PoE+/2x1G PD/2x1G SFP ポート	ADP-280BR	E48W	E48W001
N1124T-ON	24x1G/4x10G SFP+ ポート	DPS-40AP	E18W	E18W001
N1124P-ON	24x1G/4x10G SFP+/6xPoE+ ポート	EDPS-250BF	E18W	E18W001
N1148T-ON	48x1G/4x10G SFP+ ポート	DPS-60AP	E18W	E18W002
N1148P-ON	48x1G/4x10G SFP+/12xPoE+ ポート	YM-2501D	E18W	E18W002

N1108T-ON/N1108P-ON/N1108EP-ON の設置

Dell タンデム トレイを使用した N1108T-ON/N1108P-ON スイッチの取り付け

AC 電源コネクタは背面パネルにあります。

- ⚠ **警告：**安全および認可に関する情報およびスイッチに接続またはサポートしている他のスイッチについての安全情報をお読みください。
- ⚠ **警告：**ラック取り付けキットを使用して、テーブルや机の下からスイッチをぶら下げたり、壁に取り付けたりしないでください。
- △ **注意：**スイッチからすべてのケーブルを外して、続行します。取り付けられている場合はスイッチの下側からすべての粘着パッドを取り外します。
- △ **注意：**ラックに複数のスイッチを取り付ける場合は、下から上に取り付けます。

- 1 図 1-1 に示されているように、N1108T-ON/N1108P-ON スイッチを Dell タンデム トレイ キットに固定します。

図 1-1. Dell タンデムトレイキット



- 2 スイッチを 48.26 cm (19 インチ) ラックに挿入し、キットのラック取り付け穴がラックの取り付け穴と揃っていることを確認します。

- 3 ラックボルトまたはケージナットおよびワッシャ付きのケージナットボルトのいずれか（お使いのラックの種類による）でキットをラックに固定します。底部のボルトを締めてから、上部のボルトを締めます。

大型 L- ブラケットを使用した 2 ポスト ラックへの N1108T-ON/N1108P-ON/N1108EP-ON の取り付け

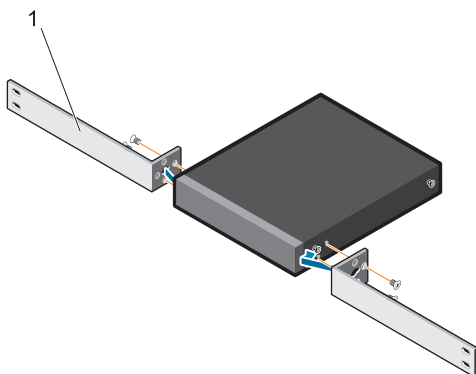
メモ： AC 電源コネクタは、N1108T-ON/N1108P-ON スイッチの背面パネルにあります。N1108EP-ON 用の DC 電源コネクタは、背面パネルの中央にあります。

メモ： N1108EP-ON スイッチは、外付けの電源アダプタを使用します。N1108EP-ON 外付け電源アダプタには、取り付けキットはありません。N1108EP-ON を取り付ける場合、外付け電源アダプタをスイッチから離して設置します。

注意： N1108EP-ON はファンレススイッチです。過熱防止のため、外付け電源アダプタをスイッチの上に置かないでください。

- 1 同梱のラック マウント ブラケットを、スイッチの取り付け穴がラック マウント ブラケットの取り付け穴に重なるように、スイッチの片側にセットします。図 1-2 のアイテム 1 を参照してください。

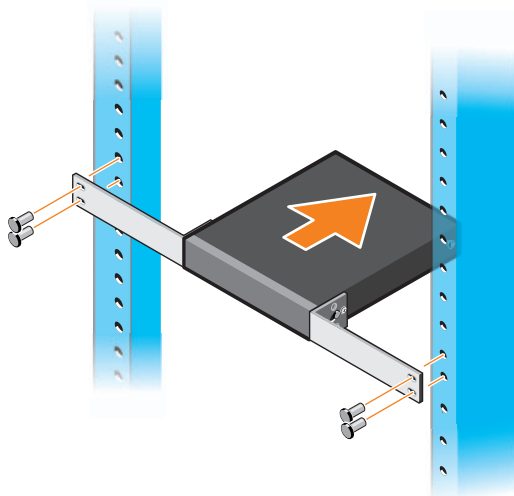
図 1-2. 大型 L- ブラケット キットを使用した取り付け



- 2 同梱のネジをラック取り付け穴に挿入し、ドライバーで締めます。
- 3 スイッチのもう一方の側でも同様の手順を繰り返します。

- 4 ラックの前面から、スイッチとレール アセンブリーをラックに挿入します。スイッチのラック取り付け穴がラックの取り付け穴に重なるようにします。
- 5 ラック ネジでスイッチをラックに固定します。上部の対のねじの前に下部の対のねじを締めます。「図 1-3」を参照してください。

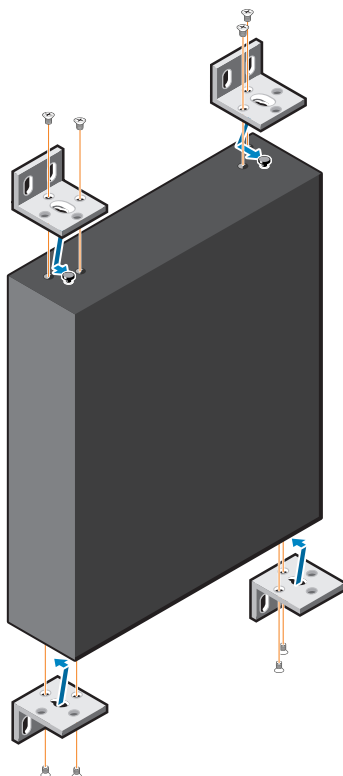
図 1-3. L-ブラケットを使用した 2 ポスト ラックへの取り付け



壁面へのすべての N11xx-0N スイッチの取り付け

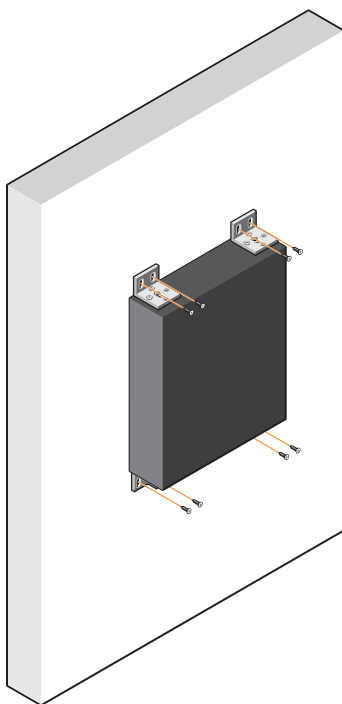
- 1 取り付け場所が次の要件を満たしていることを確認してください。
 - 壁の表面がスイッチを支えられる。
 - 温度の上昇を防ぐため通気性のある場所である。
- 2 同梱の壁取り付けブラケットを、スイッチの取り付け穴が壁取り付けブラケットの取り付け穴に重なるように、スイッチの片側に置きます。
- 3 同梱のネジを壁取り付けブラケットの穴に挿入し、ドライバーで締めます。「図 1-4」を参照してください。

図 1-4. マウントブラケットの挿入



- 4 スイッチのもう一端の壁取り付けブラケットも同様の手順を繰り返します。
- 5 スイッチを取り付ける予定の壁にスイッチを置きます。
- 6 スイッチを固定するネジを取り付ける壁の場所にマークを付けます。
- 7 マークされた位置に穴をあけて、同梱の 8 つのアンカーすべてを穴にセットします。
- 8 同梱のネジを壁マウントブラケットの穴に挿入し、ドライバで締めます。「図 1-5」を参照してください。

図 1-5. 壁への取り付け



N1124T-ON/N1124P-ON/N1148T-ON/ N1148P-ON の取り付け

N1124T-ON/N1124P-ON/ N1148T-ON/ N1148P-ON スイッチのラック取り付け

⚠ 警告：安全および認可に関する情報およびスイッチに接続またはサポートしている他のスイッチについての安全情報をお読みください。

AC 電源コネクタはスイッチの背面パネルにあります。

ラックへの取り付け

⚠ 警告：ラック取り付けキットを使用して、テーブルや机の下からスイッチをぶら下げたり、壁に取り付けたりしないでください。

△ 注意：スイッチからすべてのケーブルを外して、続行します。取り付けられている場合はスイッチの下側からすべての粘着パッドを取り外します。


△ 注意：ラックに複数のスイッチを取り付ける場合は、下から上に取り付けます。


- 1 付属のラック取り付けブラケットをスイッチの片側に取り付け、スイッチの取り付け穴がラック取り付けブラケットの取り付け穴と揃っていることを確認します。図 1-6 はブラケットの取り付け位置を示します。

図 1-6. ブラケットの取り付け




- 2 付属のボルトをラック取り付け穴に挿入し、ドライバで締め付けます。
- 3 スイッチの反対側のラック取り付けブラケットについて同じプロセスを繰り返します。
- 4 スイッチを 48.26 cm (19 インチ) ラックに挿入し、ブラケットのラック取り付け穴がラックの取り付け穴と揃っていることを確認します。
- 5 ラックボルトまたはケージナットおよびワッシャ付きのケージナットボルトのいずれか（お使いのラックの種類による）でブラケットをラックに固定します。底部のボルトを締めてから、上部のボルトを締めます。

 **注意：** 付属のラックボルトが、ねじ山の付いたラックの穴に合うことを確認します。

 **メモ：** 通気孔がふさがれていないことを確認します。

独立型のスイッチとしてインストール

 **メモ：** Dell では、スイッチをラックへ取り付けを強く推奨します。ラックに取り付けられない場合は、平らな面にスイッチを取り付けます。その平面は、スイッチとスイッチケーブルの重量に対応できる必要があります。スイッチには 4 個の粘着ゴムパッドが付いています。

- 1 スイッチの下部にマークされたそれぞれの場所に粘着ゴムパッドを取り付けます。
- 2 スイッチを平らな面に置きます。側面に 5 cm (2 インチ)、背面に 13 cm (5 インチ) 隙間を残して、適切に換気が行われるようにしてください。

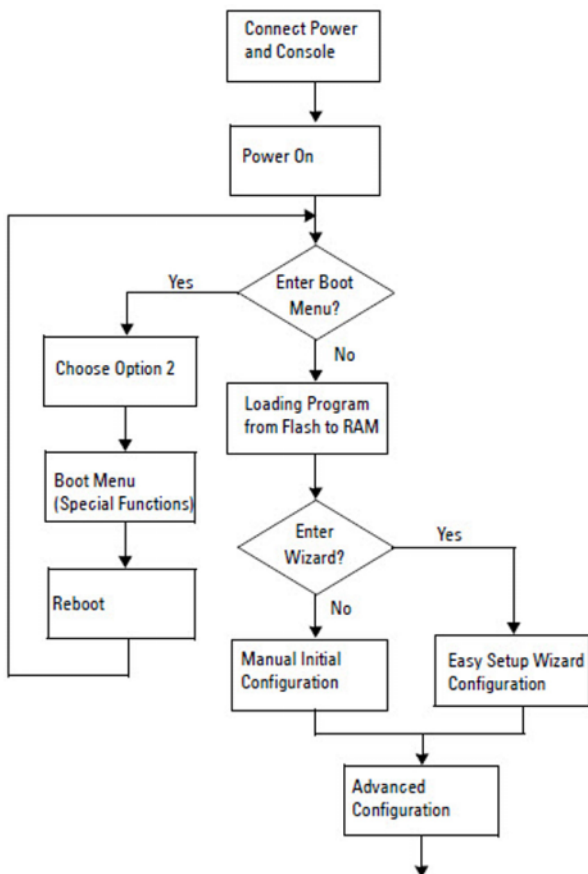
複数の N1124T-ON/N1124P-ON/ N1148T-ON/ N1148P-ON スイッチのスタッキング

スイッチの前面の 10G SFP+ ポートを使用して N1124T-ON/N1124P-ON/N1148T-ON/ N1148P-ON スイッチを 4 個のスイッチの高さまでスタッキングすることができます。ポートはスタッキングをサポートするように設定する必要があります。複数のスイッチがスタックポートを通して接続されている場合、最大 208 個の前面パネルポートの付いた単一のユニットとして動作します。スタックは、単一のエンティティとして動作し管理されます。詳細については、『*User Configuration Guide (ユーザー設定ガイド)*』および『*CLI Reference Guide (CLI リファレンスガイド)*』を参照してください。

N3000ET-0N/N3000EP-0N スイッチの開始および設定 N1100-0N シリーズ 設定


次のフローチャートは、スイッチを開梱し取り付けた後に行う初期設定に使用する手順の概要を記載しています。


図 1-7. インストールおよび設定のフローチャート



N1100-0N シリーズ スイッチの端末への接続

すべての外部接続の完了後、端末に接続することによってスイッチを設定します。

 **メモ**：本製品のリリースノートを読んでから先へ進みます。リリースノートは dell.com/support のデルサポートサイトからダウンロードすることができます。

 **メモ**：Dell は、dell.com/support のデルサポートサイトから最新版のユーザーマニュアルを入手することを推奨します。

USB コンソールからスイッチを監視および設定するには、スイッチの前面パネルのコンソールポートを使用し、付属の USB ケーブルを使用して VT100 端末エミュレーションソフトウェアを実行しているコンピュータに接続します。USB ケーブルを初めて使用する場合は、ドライバをダウンロードおよびインストールする必要があります。


コンソールポートを使用するために必要なものは以下のとおりです。

- HyperTerminal® および USB ドライバなどの VT100 端末エミュレーションソフトウェアを実行している USB ポートの付いた VT100 対応コンピュータ。
- コンソールポート用のタイプ B USB コネクタおよびホスト PC 用の USB コネクタの付いた付属の USB ケーブル。


以下の作業を行って端末をスイッチコンソールポートに接続します。

- 1 USB タイプ B コネクタを付属のスイッチに接続し、他端を VT100 端末エミュレーションソフトウェアを実行しているコンピュータに接続します。
- 2 ターミナルエミュレーションソフトウェアを以下のように設定します。
 - a 適切なシリアルポート（COM 1 など）を選択して、コンソールに接続します。
 - b データ速度を 115,200 ボーに設定します。
 - c データフォーマットを 8 data bits、1 stop bit、no parity に設定します。
 - d フロー制御を none（なし）に設定します。
 - e ターミナルエミュレーションモードを VT100 に設定します。
 - f ファンクションキー、矢印キー、および Ctrl キーでターミナルキーを選択します。設定がターミナルキーであることを確認してください（Microsoft Windows キーではありません）。

- 3 ケーブルの USB タイプ B コネクタをスイッチのコンソールポートに直接接続します。Dell Networking コンソールポートはフロントパネルの右側にあり、|O|O| のシンボルの付いたラベルが貼られています。

 **メモ**：スタックマネージャへのコンソールからのアクセスは、ローカル CLI 経由でコンソールポートから行うことができます。一度に 1 つの USB コンソールセッションのみがサポートされています。

N1100-ON シリーズ スイッチの電源への接続

 **注意**：安全および認可に関する情報マニュアルおよびスイッチに接続またはサポートしている他のスイッチについての安全情報をお読みください。

N1108T-ON と N1108P-ON モデルには内蔵 PSU が 1 台あります。電源コンセントは背面パネルにあります。N1108EP-ON は外付け DC 電源アダプタを使用します。外付け DC 電源アダプタ

AC および DC 電源 の接続

- 1 スイッチのコンソールポートは USB から USB タイプ B ケーブル経由で VT100 ターミナルエミュレータを実行する PC に接続されていることを確認します。
- 2 安全接地を接続した 5 フィート (1.5 m) の標準電源ケーブルを使用して、電源ケーブルを背面パネルにある AC 電源コンセントに接続します。

PoE モデルのスイッチには、スイッチ電源コンセント用の刻み目のあるコネクタの付いた丈夫な電源ケーブルがあります。PoE 対応スイッチには、このタイプのケーブルを使用することが必須です。

- 3 電源ケーブルを接地された AC コンセントに接続します。

スイッチの起動 N1100-0N シリーズ

ローカル端末をすでに接続した状態で電源をオンにすると、スイッチがパワーオンセルフテスト (POST) を完了します。POST はスイッチを初期化される度に実行され、完全に起動する前にスイッチが完全に動作するかどうかを判断するためにハードウェアコンポーネントをチェックします。POST で重大な問題が検出された場合、プログラムのフローは停止します。POST が合格の場合、有効なファームウェアが RAM にロードされます。POST メッセージが端末に表示され、テストの可否を示します。起動処理は約 60 秒実行されます。

最初の POST が完了してから Boot (ブート) メニューを起動できます。Boot (ブート) メニューから、システムを工場出荷時のデフォルトにリセットするなどの設定タスクを実行し、バックアップイメージのアクティブ化、またはパスワードの再設定をすることができます。Boot (ブート) メニュー機能の詳細については、*CLI Reference Guide* (CLI リファレンスガイド) を参照してください。

N1100-ON シリーズの初期設定の実行

初期設定の手順は、次の前提に基づいています：

- Dell Networking スイッチは一度も設定されたことがない。
- Dell Networking スイッチが正常に起動した。
- コンソールの接続が確立され、Dell Easy Setup Wizard プロンプトが端末エミュレーションソフトウェアを実行している PC の画面に表示されます。

スイッチの初期設定はコンソールポートを介して実行されます。初期設定後は、すでに接続されているコンソールポートまたは初期設定時に定義したインタフェースを介してリモートでスイッチを管理できます。



メモ：スイッチはデフォルトのユーザー名、パスワード、または IP アドレスで設定されていません。

スイッチの初期設定を行う前に、ネットワーク管理者から以下の情報を入手します。

- IP アドレスは、管理インタフェースに割り当てます。
- ネットワーク用の IP サブネットマスク。
- 管理インタフェースのデフォルトゲートウェイの IP アドレス。

これらの設定は、Telnet (Telnet クライアント) または HTTP (Web ブラウザ) を介したスイッチのリモート管理を可能にするために必要です。

リモート管理の有効化


N1100-ON シリーズ スイッチ上で、帯域内管理用の前面パネルのスイッチポートのいずれかを使用できます。デフォルトでは、帯域内ポートは VLAN 1 に所属します。

Dell Easy Setup Wizard には、N1100-ON シリーズスイッチの VLAN 1 インターフェイスについてのネットワーク情報を設定するプロンプトが含まれます。静的 IP アドレスおよびサブネットマスクを割り当てるか DHCP を有効化してネットワーク DHCP サーバーが情報を割り当てられるようにすることができます。

ネットワーク情報を設定するコマンドについては、*CLI Reference Guide (CLI リファレンスガイド)*を参照してください。

初期設定の手順

Dell Easy Setup Wizard を使用して、または CLI を使用して初期設定を実行します。ウィザードは、スイッチ設定ファイルが空のときに自動的に起動します。Ctrl + Z を入力して、いつでもウィザードを終了できますが、指定されたすべての設定は破棄され、スイッチはデフォルト値を使用します。

 **メモ** : Dell Easy Setup Wizard を実行しないまたは 60 秒以内に最初の Easy Setup Wizard プロンプトに回答しない場合、スイッチは CLI モードに入ります。Dell Easy Setup Wizard に戻るには、空の起動設定でスイッチをリセットする必要があります。

CLI を使用した初期設定を行う方法の詳細については、*CLI Reference Guide (CLI リファレンスガイド)* を参照してください。この『はじめに』では、スイッチの初期設定のための Dell Easy Setup Wizard の使用方法を示しています。ウィザードは、スイッチ上での以下の設定をセットアップします。

- 有効なパスワードを持つ初期特権ユーザーアカウントを確立します。ウィザードにより、セットアップ中に 1 つの特権ユーザーアカウントを設定します。
- CLI ログインおよび HTTP アクセスを有効にし、ローカル認証設定のみを使用します。
- VLAN 1 ルーティングインタフェース用の IP アドレスを設定します。これには、すべての帯域内ポートが所属します。
- 指定された IP アドレスで使用する SNMP マネージャが使用する SNMP コミュニティストリングを設定します。SNMP 管理がこのスイッチに使用されない場合は、この手順をスキップします。
- ネットワーク管理システムの IP アドレスを指定またはすべての IP アドレスから管理アクセスを許可できます。
- VLAN 1 インタフェース用のデフォルトゲートウェイの IP アドレスを設定します。

セッションの例

このセクションでは、Dell Easy Setup Wizard セッションについて記載しています。次の値は、セッションの例で使用されます：

- 使用する SNMP コミュニティストリングは `public` です。
- ネットワーク管理システム (NMS) IP アドレスは、`10.1.2.100` です。
- ユーザー名は `admin` で、パスワードは `admin123` です。
- VLAN 1 ルーティングインタフェースの IP アドレスは `10.1.1.200` で、サブネットマスクは `255.255.255.0` です。
- デフォルトゲートウェイは `10.1.1.1` です。

セットアップウィザードでは上記に定義された初期値を設定します。ウィザードを完了したら、スイッチは以下のように設定されます：

- SNMPv2 が有効になり、コミュニティストリングが上記のように設定されます。SNMPv3 はデフォルトで無効になっています。
- 管理者ユーザーアカウントは定義されたとおりに設定されます。
- ネットワーク管理システムが設定されます。管理ステーションから、SNMP、HTTP、および CLI インタフェースにアクセスできます。(0.0.0.0) IP アドレスを選択することですべての IP アドレスがこれらの管理インタフェースにアクセスできるよう選択することもできます。
- IP アドレスは、VLAN 1 ルーティングインタフェース用に設定されます。
- デフォルトのゲートウェイアドレスが設定されます。



メモ：次の例では、ユーザーが実行可能なオプション、またはデフォルト値は [] で囲まれます。オプションを定義せずに <Enter> を押すと、デフォルト値が受け入れられます。ヘルプテキストは括弧に入っています。

Dell Easy Setup Wizard コンソールの例

次の例には、前述の入力値を使用した例の Dell Easy Setup Wizard セッションの実行に関連したプロンプトおよび応答の順序が含まれています。スイッチが POST が完了して起動すると、次のダイアログが表示されます：

```
Unit 1 - Waiting to select management unit)>
```

```
_____Dell SupportAssist EULA_____
```

```
I accept the terms of the license agreement. You can reject the license agreement by configuring this command 'eula-consent support-assist reject'.
```

```
By installing SupportAssist, you allow Dell to save your contact information (e.g. name, phone number and/or email address) which would be used to provide technical support for your Dell products and services Dell may use the information for providing recommendations to improve your IT infrastructure. Dell SupportAssist also collects and stores machine diagnostic information, which may include but is not limited to configuration information, user supplied contact information, names of data volumes, IP addresses, access control lists, diagnostics & performance information, network configuration information, host/server configuration & performance information and related data (Collected Data) and transmits this information to Dell. By downloading SupportAssist and agreeing to be bound by these terms and the Dell end user license agreement, available at: http://www.dell.com/aeula, you agree to allow Dell to provide remote monitoring services of your IT environment and you give Dell the right to collect the Collected Data in accordance with Dell's Privacy Policy, available at: http://www.dell.com/privacypolicycountryspecific, in order to enable the performance of all of the various functions of SupportAssist during your entitlement to receive related repair services from Dell. You further
```

agree to allow Dell to transmit and store the Collected Data from SupportAssist in accordance with these terms. You agree that the provision of SupportAssist may involve international transfers of data from you to Dell and/or to Dell's affiliates, subcontractors or business partners. When making such transfers, Dell shall ensure appropriate protection is in place to safeguard the Collected Data being transferred in connection with SupportAssist. If you are downloading SupportAssist on behalf of a company or other legal entity, you are further certifying to Dell that you have appropriate authority to provide this consent on behalf of that entity. If you do not consent to the collection, transmission and/or use of the Collected Data, you may not download, install or otherwise use SupportAssist.

AeroHive HiveManager NG EULA

This switch includes a feature that enables it to work with HiveManager (an optional management suite), by sending the switch's service tag number and IP Address to HiveManager to authenticate your entitlement to use HiveManager. If you wish to disable this feature, you should run command 'eula-consent hiveagent reject' immediately upon powering up the switch for the first time, or at any time thereafter.

Applying Global configuration, please wait...

Welcome to Dell Easy Setup Wizard

The setup wizard guides you through the initial switch configuration, and gets you up and running as quickly as possible. You can skip the setup wizard, and enter CLI mode to manually configure the switch. You must respond to the next question to run the setup wizard within 60 seconds, otherwise the system will continue

with normal operation using the default system configuration. Note: You can exit the setup wizard at any point by entering [ctrl+z].

Would you like to run the setup wizard (you must answer this question within 60 seconds)? [Y/N] **y**

Step 1:

The system is not set up for SNMP management by default. To manage the switch using SNMP (required for Dell Network Manager) you can

- . Set up the initial SNMP version 2 account now.
- . Return later and set up other SNMP accounts. (For more information on setting up an SNMP version 1 or 3 account, see the user documentation).

Would you like to set up the SNMP management interface now? [Y/N] **y**

To set up the SNMP management account you must specify the management system IP address and the "community string" or password that the particular management system uses to access the switch. The wizard automatically assigns the highest access level [Privilege Level 15] to this account. You can use Dell Network Manager or other management interfaces to change this setting, and to add additional management system information later. For more information on adding management systems, see the user documentation.

To add a management station:

Please enter the SNMP community string to be used.

[public]: **public**



メモ：これが設定されている場合、デフォルトのアクセスレベルは SNMP 管理インタフェースで利用できる最高のアクセスに設定されます。最初に SNMPv2 のみが有効になります。SNMPv3 のセキュリティアクセスの設定に戻るまでは SNMPv3 は無効です（例えば、エンジン ID、ビュー等）。

Please enter the IP address of the Management System (A.B.C.D) or wildcard (0.0.0.0) to manage from any Management Station. [0.0.0.0]: **10.1.2.100**

Step 2:

Now we need to set up your initial privilege (Level 15) user account. This account is used to login to the CLI and Web interface. You may set up other accounts and change privilege levels later. For more information on setting up user accounts and changing privilege levels, see the user documentation.

To set up a user account:

```
Please enter the user name. [root]:admin
Please enter the user password: *****
Please reenter the user password: *****
```

Step 3:

Next, an IP address is set up on the VLAN 1 routing interface.

You can use the IP address to access the CLI, Web interface, or SNMP interface of the switch.

To access the switch through any Management Interface you can

- . Set up the IP address for the Management Interface.
- . Set up the default gateway if IP address is manually configured on the routing interface.

Step 4:

```
Would you like to set up the VLAN1 routing interface now? [Y/N] y
```

```
Please enter the IP address of the device (A.B.C.D) or enter "DHCP" (without the quotes) to automatically request an IP address from the network DHCP server:  
10.1.1.200
```

```
Please enter the IP subnet mask (A.B.C.D or /nn):  
255.255.255.0
```

Step 5:

Finally, set up the default gateway. Please enter the IP address of the gateway from which this network is reachable. [0.0.0.0]: **10.1.1.1**

This is the configuration information that has been collected:

```
SNMP Interface = "public"@10.1.2.100
User Account setup = admin
Password = *****
VLAN1 Router Interface IP = 10.1.1.200 255.255.255.0
Default Gateway = 10.1.1.1
```

Step 6:

If the information is correct, please enter (Y) to save the configuration and copy the settings to the start-up configuration file. If the information is incorrect, enter (N) to discard the configuration and restart the wizard: [Y/N] **y**

Thank you for using the Dell Easy Setup Wizard. You will now enter CLI mode.

Applying Interface configuration, please wait...

次の手順

このセクションに記載された初期設定を完了したら、前面パネルのスイッチポートを帯域内遠隔管理用の生産ネットワークに接続します。

VLAN 1 管理インタフェースの IP アドレスに DHCP を指定した場合は、インタフェースはネットワーク上の DHCP サーバーから IP アドレスを取得します。動的に割り当てられた IP アドレスを検出するには、コンソールポート接続を使用して次のコマンドを発行します：

- VLAN 1 ルーティングインタフェースの場合、`show ip interface` (IP インタフェースを表示) と入力します。

Dell OpenManage Switch Administrator インタフェースにアクセスするには、Web ブラウザのアドレスフィールドに、VLAN 1 管理インタフェースの IP アドレスを入力します。CLI への遠隔管理アクセスの場合、Telnet または SSH クライアントに VLAN 1 管理インタフェースの IP アドレスを入力します。または、スイッチへのローカル CLI アクセス用のコンソールポートの使用を続行します。

N1100-ON シリーズ スイッチは、VLAN やスパンニングツリープロトコルなどの基本的なスイッチ機能をサポートします。お使いのネットワークに必要な機能を設定するために Web ベースの管理インタフェースまたは CLI を使用します。スイッチの機能の設定方法については、サポートサイト：dell.com/support で入手可能な *User Configuration Guide* (ユーザー設定ガイド) または 『*CLI Reference Guide (CLI リファレンスガイド)*』 を参照してください。

機関法令遵守

N1108T-ON、N1108P-ON、N1108EP-ON、N1124T-ON、N1124P-ON、N1148T-ON、N1148P-ON の各スイッチは、以下の安全および機関の要件に準拠しています。

クラス A 装置の日本 VCCI 準拠

図 1-8. 日本：クラス A 装置の VCCI 準拠

この装置は、クラス A 機器です。この装置を住宅環境で使用すると電波妨害を引き起こすことがあります。この場合には使用者が適切な対策を講ずるよう要求されることがあります。

VCCI - A

本製品は、情報処理装置等電波障害自主規制協議会（VCCI）の基準に準拠したクラス A 製品です。本装置を住宅環境で使用すると、電波妨害が生じる場合があります。このような問題が発生した場合は、ユーザーによる是正措置が必要となることがあります。

警告：AC 電源コードは Dell EMC 機器のみに使用してください。Dell EMC の AC 電源コードを許可されていないハードウェアで使用しないでください。

図 1-9. 日本：警告ラベル

本製品に同梱いたしております電源コードセットは、本製品専用です。本電源コードセットは、本製品以外の製品ならびに他の用途でご使用いただくことは出来ません。製品本体には同梱された電源コードセットを使用し、他製品の電源コードセットを使用しないで下さい。

インドのコンプライアンス認定

本製品は、*テレコム エンジニアリング センター (TEC)* の規制に関する必須要件に準拠しています。


韓国のコンプライアンス認定

図 1-10. 韓国のコンプライアンス認定

A급 기기
(업무용 방송통신기자재)

이 기기는 업무용(A급) 전자파적합기기로서 판매자 또는 사용자는 이 점을 주의하시기 바라며, 가정외의 지역에서 사용하는 것을 목적으로 합니다.

図 1-11. 韓国語パッケージラベル

	 [equipment type]
품명(Product Name)	Ethernet Switch
모델명(Model)	[model number]
신청인(Applicant)	Dell Technologies
제조사(Manufacturer)	
제조년월(Manufacturing Date)	[date]
제조국(Country of Origin)	China

安全基準およびコンプライアンス機関認定

- IEC 62368-1、セカンド エディション
- CUS UL 60950-1、セカンド エディション
 - UL 60950-1 について、Hi Pot およびグラウンド継続性テストを満たすか、または超過しています。
- AS/NZS 60950
- CSA 60950-1-03、セカンド エディション
- EN 60950-1、セカンド エディション
- EN 60825-1、ファースト エディション
- EN 60825-1 レーザー製品の安全性 (第 1 部) : 機器分類要件およびユーザー \xd5 ガイド

- EN 60825-2 レーザー製品の安全性（第2部）：光ファイバー通信システムの安全性
- FDA 規制 21CFR 1040.10 および 1040.11
- IEC 60950-1、セカンドエディション（国の独自の個別要求事項およびグループの差異をすべて含む）

電磁両立性

エミッション

- 国際：CISPR 32：クラス A
- オーストラリア/ニュージーランド：AS/NZS CISPR 32、クラス A
- カナダ：ICES-003、第4版、クラス A
- ヨーロッパ：EN55032：2015（CISPR 32）、クラス A
- EN55032
- 日本：VCCI クラス A
- 韓国：KN32、クラス A
- 台湾：CNS13438、クラス A
- 米国：FCC CFR47 パート 15、下位区分 B、クラス A


イミュニティ

- ネットワーク機器用 EN 300 386 EMC
- EN 55024
- EN 61000-3-2 高調波電流放出
- EN 61000-3-3 電圧変動およびフリッカー
- EN 61000-4-2 ESD
- EN 61000-4-3 放射イミュニティ
- EN 61000-4-4 EFT
- 61000-4-5 サージ
- EN 61000-4-6 低周波伝導イミュニティ

製品のリサイクルと処分

該当する地域の規制および国内規制に従って、当システムをリサイクルまたは破棄する必要があります。Dell EMC では、情報テクノロジー (IT) 機器が不要になった際、所有者が機器を確実にリサイクルするようお願いしています。Dell EMC では、多くの国でさまざまな製品返品プログラムやサービスを提供しており、機器の所有者による IT 製品のリサイクルをサポートしています。

動作高度 - 情報アップデート

 **メモ：** このマニュアルに記載されている動作高度の制約は、中国に出荷されるシステムにのみ適用されます。

次の情報は、中国の公式規格の要件に従っています。

- 動作高度は-15.2 m～2000 m (-50フィート～6560フィート) の範囲内です。
- 高度が 2950 フィートを超えると、動作時の許容最大温度は、550 フィートごとに 1 °F ずつ低下します。

Dell Networking
N1108T-ON/N1108P-ON/
N1108EP-ON/N1124T-ON/
N1124P-ON/N1148T-ON/
N1148P-ON 스위치
시작 안내서



주, 주의 및 경고



주: "참고"는 스위치를 보다 효율적으로 사용하는 데 도움을 주는 중요 정보를 제공합니다.



주의: "주의"는 하드웨어 손상이나 데이터 손실의 가능성을 설명하며, 이러한 문제를 방지할 수 있는 방법을 알려줍니다.



주의: "경고"는 재산상의 피해나 심각한 부상 또는 사망을 유발할 수 있는 위험이 있음을 알려줍니다.



리튬 배터리 주의 사항 :

- 배터리를 잘못 교체 하면 폭발의 위험이 있습니다 . 동일하거나 동등한 유형의 배터리로만 교체하십시오 . 제조업체의 지침에 따라 배터리를 폐기하십시오 .
- 화염 또는 과열된 오븐에 배터리를 폐기하거나 , 물리적으로 훼손하거나 절단하면 배터리가 폭발할 수 있습니다 .
- 극도로 과열된 환경에 배터리를 두면 가연성 액체 또는 가스가 누출되거나 폭발이 발생할 수 있습니다 .
- 배터리가 매우 낮은 기압의 영향을 받으면 가연성 액체 또는 가스가 누출되거나 폭발이 발생할 수 있습니다 .
- 장치는 실험실 , 기계실과 같은 지정된 위치에서만 사용할 수 있습니다 . 장치를 설치할 때 소켓 콘센트의 보호용 접지 연결은 숙련된 기술자가 확인해야 합니다 .

© 2019 Dell Inc. 또는 자회사 . 저작권 본사 소유 . 이 제품은 미국 및 국제 저작권법 및 지적 재산권법의 보호를 받습니다 . Dell 및 Dell 로고는 미국 및 / 또는 기타 관할지역에서 사용되는 Dell Inc. 의 상표입니다 . 이 설명서에 언급된 기타 모든 표시 및 이름은 각 회사의 상표일 수 있습니다 .

규정 모델: E17W 및 E18W

2019년 5월 P/N JJHMV 개정 A01

콘텐츠

1	소개	165
	N1100-ON Series 하드웨어 개요	165
	N1100-ON Series PoE 스위치 전력 소비량	165
	통풍 시스템	166
	N1100-ON Series 모델 요약	167
2	N1108T-ON/N1108P-ON/ N1108EP-ON 설치	168
	Dell 탠덤 트레이를 사용하여 N1108T-ON/ N1108P-ON 스위치 마운팅	168
	대형 L-브래킷을 사용하여 2포스트 랙에 N1108T-ON/N1108P-ON/N1108EP-ON 마운팅	169
	모든 N11xx-ON 스위치를 벽에 마운팅	170
3	N1124T-ON/N1124P-ON/N1148T-ON/ N1148P-ON 설치	173
	N1124T-ON/N1124P-ON/N1148T-ON/ N1148P-ON 스위치 랙 장착	173
	랙에 설치	173
	단독 스위치로 설치	174
	여러 개의 N1124T-ON/N1124P-ON/ N1148T-ON/ N1148P-ON 스위치 스택킹	174

4	스위치 N1100-ON Series	
	시작 및 구성	175
	터미널에 N1100-ON Series 스위치 연결하기	176
	N1100-ON Series전원에 스위치 연결하기	177
	AC 및 DC 전원 연결	177
	N1100-ON Series 스위치 부팅	178
	N1100-ON Series 초기 구성 수행	179
	원격 관리 활성화	179
	초기 구성 절차	180
	세션 예시	181
	Dell Easy 설치 관리자 콘솔 예시	182
	다음 단계	186
5	기관 규정 준수	188
6	작동 고도 - 정보 업데이트	191

소개

이 설명서는 스위치 설치 방법 및 초기 구성 수행 방법을 포함하여 Dell Networking N1100-ON Series 스위치에 대한 기본 정보를 제공합니다. 스위치 기능을 구성하고 모니터링하는 방법에 대한 자세한 내용은 Dell 지원 웹 사이트 dell.com/support에 있는 *사용자 구성 안내서*를 참조하십시오. 지원 웹사이트에서 설명서 및 펌웨어 최신 업데이트를 참조하십시오.



주: 스위치 관리자는 최신 버전의 Dell Networking 운영 체제(DNOS)에서 Dell Networking 스위치를 유지하는 것이 좋습니다. Dell Networking은 고객의 피드백을 바탕으로 DNOS 기능을 개선하기 위해 지속적으로 노력하고 있습니다. 중요 인프라의 경우, 네트워크의 비중요 부분에 새 릴리스를 사전 스테이징하여 새 DNOS 버전의 네트워크 구성 및 작업을 검증하는 것이 바람직합니다.

N1100-ON Series 하드웨어 개요

이 섹션에는 Dell Networking N1100-ON Series 스위치의 장치 특징과 모듈식 하드웨어 구성에 대한 정보가 포함되어 있습니다.

주: N1108EP-ON 스위치는 외부 전원 어댑터를 사용합니다. N1108EP-ON 외부 전원 어댑터에 사용할 수 있는 마운팅 키트는 없습니다. N1108EP-ON 설치 시 외부 전원 어댑터를 스위치에서 떨어뜨려 놓습니다.

N1100-ON Series PoE 스위치 전력 소비량

표 1-1은 N1100-ON Series PoE 스위치 전력 소비량을 설명합니다. PoE 전원 수요 예측은 N1108P-ON의 경우 60W, N1108EP-ON 123W, N1124P-ON 185W, N1148P-ON의 경우 370W입니다.

표 1-1. N1100-ON Series PoE 스위치 전력 소비량

모델	입력 전압	전원 공급 장치 구성	최대 정상 전류 소비량 (A)	최대 정상 전원 (W)
N1108P-ON	100V/60Hz	주 PSU	0.95A	88.64W
	110V/60Hz	주 PSU	0.87A	88.43W
	120V/60Hz	주 PSU	0.80A	88.22W
	220V/50Hz	주 PSU	0.49A	89.28W
	240V/50Hz	주 PSU	0.45A	89.70W

모델	입력 전압	전원 공급 장치 구성	최대 정상 전류 소비량 (A)	최대 정상 전원 (W)
N1108EP-ON	100V/60Hz	54VDC 외부 전원 어댑터	1.62A	157W
	110V/60Hz	54VDC 외부 전원 어댑터	1.47A	157W
	120V/60Hz	54VDC 외부 전원 어댑터	1.35A	157W
	220V/50Hz	54VDC 외부 전원 어댑터	0.74A	157W
	240V/50Hz	54VDC 외부 전원 어댑터	0.67A	157W
N1124P-ON	100V/60Hz	주 PSU	2.66A	260.66W
	110V/60Hz	주 PSU	2.38A	257.95W
	120V/60Hz	주 PSU	2.16A	256.27W
	220V/50Hz	주 PSU	1.18A	250.52W
	240V/50Hz	주 PSU	1.10A	251.25W
N1148P-ON	100V/60Hz	주 PSU	4.78A	476.03W
	110V/60Hz	주 PSU	4.32A	472.64W
	120V/60Hz	주 PSU	3.95A	470.58W
	220V/50Hz	주 PSU	2.14A	459.37W
	240V/50Hz	주 PSU	1.97A	459.06W

통풍 시스템

N1108T-ON/N1108P-ON 스위치 냉각은 팬 1개, N1024T-ON/N1024P-ON/N1048T-ON/N1048P-ON 스위치 냉각은 팬 2개가 사용 됩니다. 팬은 현장 교체가 불가능합니다. N1108EP-ON은 팬이 없는 스위치입니다.

N1100-ON Series 모델 요약

표 1-2. N1100-ON Series 스위치 규정 번호

마케팅 모델 이 설명 름(MMN)	설 명	전원공급 장 치(PSU):	규정 모델 번 호(RMN)	규정 유형 번 호(RTN)
N1108T-ON	10x1G/ 2x1G SFP 포트	DPS-24GP	E17W	E17W001
N1108P-ON	10x1G/2x1G SFP/2xPoE+ 포트	DPS-80AP/ DPS-24GP	E17W	E17W001
N1108EP-ON	8개의 1G PoE+ / 2개의 1G PD / 2개의 1G SFP 포트	ADP-280BR	E48W	E48W001
N1124T-ON	24x1G/4x10G SFP+ 포트	DPS-40AP	E18W	E18W001
N1124P-ON	24x1G/4x10G SFP+ / 6xPoE+ 포트	EDPS-250BF	E18W	E18W001
N1148T-ON	48x1G/4x10G SFP+ 포트	DPS-60AP	E18W	E18W002
N1148P-ON	48x1G/4x10G SFP+ / 12xPoE+ 포트	YM-2501D	E18W	E18W002

N1108T-ON/N1108P-ON/N1108EP-ON 설치

Dell 탠덤 트레이를 사용하여 N1108T-ON/N1108P-ON 스위치 마운팅

AC 전원 커넥터는 후면 패널에 있습니다.

⚠ 경고 : *안전 및 규정 정보에 있는 안전 정보와 스위치에 연결되거나 지원하는 다른 스위치의 안전 정보를 읽으십시오 .*

⚠ 경고 : *스위치를 테이블 또는 책상 아래 매달거나 벽에 부착하는 데에 랙 장착 키트를 사용하지 마십시오 .*

⚠ 주의 : *계속 진행하기 전에 스위치에서 모든 케이블을 분리합니다 . 부착되어 있는 경우 스위치의 밑바닥에서 모든 접착성 패드를 분리합니다 .*

⚠ 주의 : *여러 개의 스위치를 랙에 장착하는 경우 아래에서 위로 스위치를 장착합니다 .*

- 1 그림 1-1 에 표시된 대로 Dell 탠덤 트레이 키트 안에 N1108T-ON/N1108P-ON 스위치를 고정합니다 .

그림 1-1. Dell 탠덤 트레이 키트



- 2 스위치를 48.26cm(19인치) 랙에 삽입하고, 키트의 랙 장착 구멍을 랙 장착 구멍에 맞춥니다 .

- 3 랙 볼트나 케이지 너트와 와셔가 있는 케이지 너트 볼트를 사용하여 (보유한 랙 유형에 따라 다름) 키트를 랙에 고정시킵니다. 하단의 볼트를 조인 후 상단 볼트를 조입니다.

대형 L- 브래킷을 사용하여 2 포스트 랙에 N1108T-ON/N1108P-ON/N1108EP-ON 마운팅

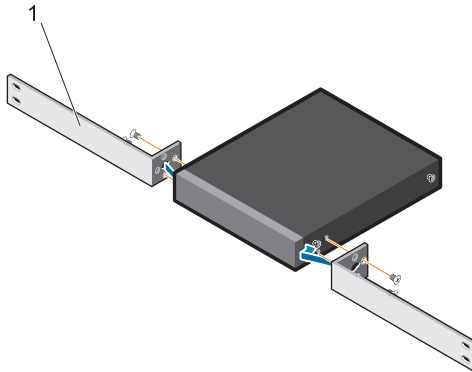
주: AC 전원 커넥터는 N1108T-ON/N1108P-ON 스위치의 후면 패널에 있습니다. N1108EP-ON의 DC 전원 커넥터는 후면 패널의 중앙에 있습니다.

주: N1108EP-ON 스위치는 외부 전원 어댑터를 사용합니다. N1108EP-ON 외부 전원 어댑터에 사용할 수 있는 마운팅 키트는 없습니다. N1108EP-ON 설치 시 외부 전원 어댑터를 스위치에서 떨어뜨려 놓습니다.

주의: N1108EP-ON은 팬이 없는 스위치이므로, 과열을 방지하려면 외부 전원 어댑터를 스위치 상단에 놓지 마십시오.

- 1 스위치의 마운팅 구멍이 랙 마운팅 브래킷의 마운팅 구멍에 정렬되도록 스위치와 함께 공급된 랙 마운팅 브래킷을 스위치 한쪽 면에 올려놓습니다. 그림 1-2의 항목 1을 참조하십시오.

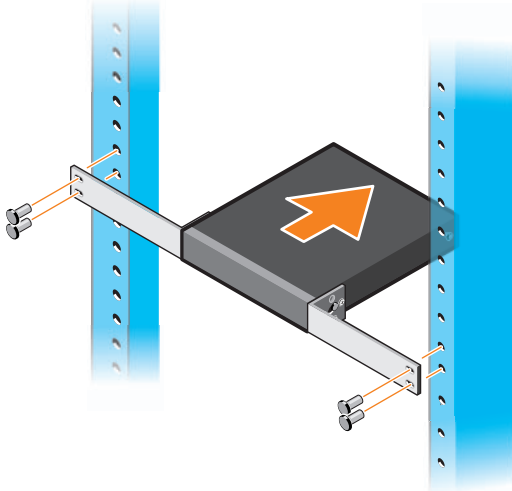
그림 1-2. 대형 L- 브래킷 키트를 사용하여 설치



- 2 제공된 나사를 랙 마운팅 구멍에 삽입하고 스크루 드라이버로 조입니다.
- 3 스위치의 반대편에도 이 프로세스를 반복합니다.

- 4 랙 정면에서 스위치 및 레일 어셈블리를 랙에 삽입합니다. 스위치의 랙 마운팅 구멍이 랙의 마운팅 구멍에 정렬되도록 합니다.
- 5 랙 나사로 스위치를 랙에 고정합니다. 위쪽 나사보다 아래쪽 나사를 먼저 조입니다. 그림 1-3 을 참조하십시오.

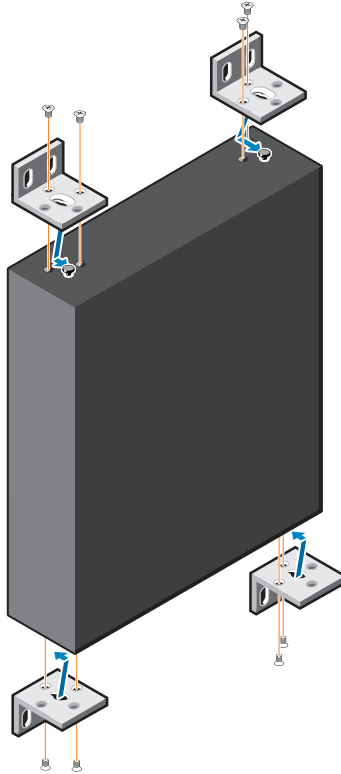
그림 1-3. L-브래킷과 함께 2 포스트 랙에 설치



모든 N11xx-0N 스위치를 벽에 마운팅

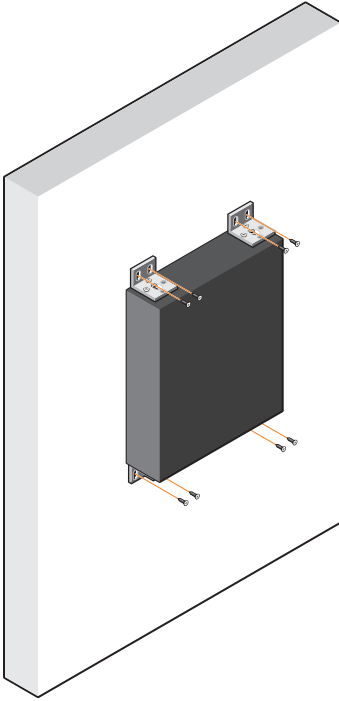
- 1 마운팅 위치가 다음과 같은 요구 사항을 충족하는지 확인하십시오.
 - 벽 표면이 스위치를 지원할 수 있습니다.
 - 과열되지 않도록 해당 위치를 환기시킵니다.
- 2 스위치와 함께 공급된 벽면 마운팅 브래킷을 스위치 한쪽 면에 올려 놓고 스위치 라인의 장착 구멍이 벽면 마운팅 브래킷의 장착 구멍에 정렬되도록 합니다.
- 3 제공된 나사를 벽면 마운팅 브래킷 구멍에 삽입하고 스크루 드라이버로 조입니다. 그림 1-4 를 참조하십시오.

그림 1-4. 마운팅 브래킷 삽입



- 4 스위치 반대편의 벽면 마운팅 브래킷에도 같은 절차를 수행합니다.
- 5 스위치가 설치된 위치의 벽에 스위치를 놓으십시오.
- 6 스위치를 고정하는 나사가 삽입될 위치를 벽면에 표시합니다.
- 7 표시된 위치에 드릴로 구멍을 뚫고 제공된 8개의 앵커를 모두 구멍에 넣습니다.
- 8 제공된 나사를 벽면 마운팅 브래킷 구멍에 삽입하고 스크루 드라이버로 조입니다. 그림 1-5 를 참조하십시오.

그림 1-5. 벽에 마운팅



N1124T-ON/N1124P-ON/N1148T-ON/ N1148P-ON 설치

N1124T-ON/N1124P-ON/N1148T-ON/N1148P-ON 스위치 랙 장착

⚠ 경고 : *안전 및 규정 정보*에 있는 안전 정보와 스위치에 연결되거나 지원하는 다른 스위치의 안전 정보를 읽으십시오 .

AC 전원 커넥터는 스위치의 후면 패널에 있습니다.

랙에 설치

⚠ 경고 : 스위치를 테이블 또는 책상 아래 매달거나 벽에 부착하는 데에 랙 장착 키트를 사용하지 마십시오 .

△ 주의 : 계속 진행하기 전에 스위치에서 모든 케이블을 분리합니다 . 부착되어 있는 경우 스위치의 밑바닥에서 모든 접착성 패드를 분리합니다 .


△ 주의 : 여러 개의 스위치를 랙에 장착하는 경우 아래에서 위로 스위치를 장착합니다 .


- 1 제공된 랙 장착 브래킷을 스위치의 한 쪽 면에 대고 스위치의 장착 구멍을 랙 장착 브래킷의 장착 구멍에 맞춥니다 . 그림 1-6 은 브래킷을 장착할 위치를 보여줍니다 .

그림 1-6. 브래킷 부착




- 2 제공된 볼트를 랙 장착 구멍에 끼우고 드라이버로 조입니다.
- 3 스위치 반대편의 랙 장착 브래킷에도 같은 절차를 수행합니다.
- 4 스위치를 48.26cm(19인치) 랙에 삽입하고, 브래킷의 랙 장착 구멍을 랙 장착 구멍에 맞춥니다.
- 5 랙 볼트나 케이지 너트와 와셔가 있는 케이지 너트 볼트를 사용하여 (보유한 랙 유형에 따라 다름) 브래킷을 랙에 고정시킵니다. 하단의 볼트를 조인 후 상단 볼트를 조입니다.

 **주의**: 제공된 랙 볼트가 랙의 이전 나사산 구멍에 맞는지 확인하십시오.

 **주**: 환풍구가 막히지 않도록 주의하십시오.

단독 스위치로 설치

 **주**: Dell은 스위치를 랙에 장착하는 것을 권장합니다.

스위치를 랙에 장착하지 않는 경우 스위치를 평평한 곳에 설치합니다. 표면은 스위치와 스위치 케이블의 무게를 지탱할 수 있어야 합니다. 접착성 고무 패드 4개가 스위치와 함께 제공됩니다.

- 1 스위치 바닥에 표시된 각 위치에 접착성 고무 패드를 부착합니다.
- 2 평평한 표면에 스위치를 설치합니다. 양 옆으로 5cm(2인치)의 간격과 뒤쪽으로 13 cm(5인치)의 간격을 두어 통풍이 잘 되도록 합니다.

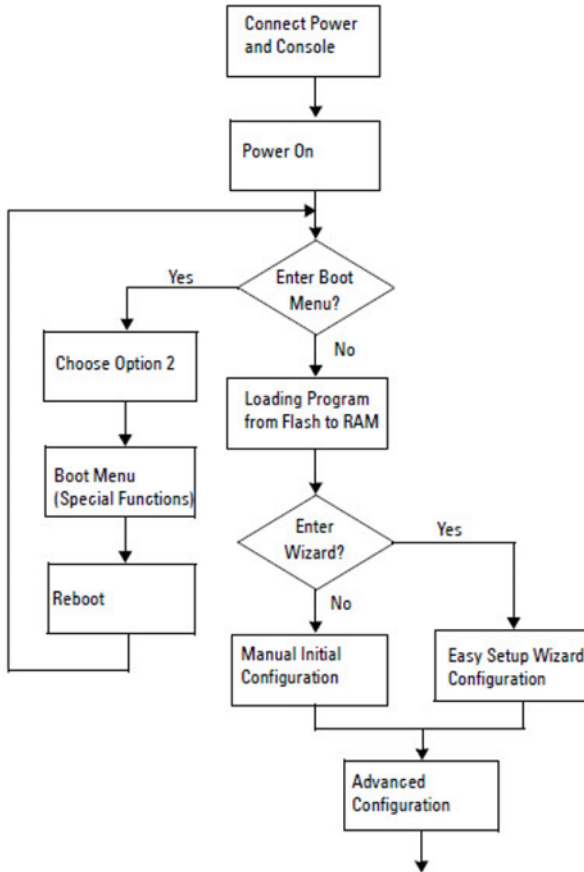
여러 개의 N1124T-ON/N1124P-ON/ N1148T-ON/ N1148P-ON 스위치 스택킹

N1124T-ON/N1124P-ON/N1148T-ON/ N1148P-ON 스위치는 스위치 전면의 10G SFP+ 포트를 사용하여 최대 4개까지 쌓을 수 있습니다. 포트는 스택킹을 지원하도록 구성해야 합니다. 여러 개의 스위치가 스택 포트를 통해 함께 연결되어 있는 경우, 최대 208개의 전면 패널 포트 구성된 단일 장치로 작동합니다. 스택은 단일 항목으로 작동 및 관리됩니다. 자세한 내용은 *사용자 구성 안내서*와 *CLI 참조 안내서*를 참조하십시오.

스위치 N1100-0N Series 시작 및 구성

다음 순서도는 스위치의 포장을 풀고 장착한 후 최초 구성을 수행하는 단계에 대한 개요를 제공합니다.

그림 1-7. 설치 및 구성 순서도



터미널에 N1100-ON Series 스위치 연결하기

모든 외부 연결을 완료한 후 터미널에 연결하여 스위치를 구성합니다.



주: 계속하기 전에 이 제품의 릴리스 정보를 읽으십시오. Dell 지원 웹 사이트 (dell.com/support)에서 릴리스 노트를 다운로드할 수 있습니다.



주: Dell 지원 웹 사이트(dell.com/support)에서 최신 버전의 사용 설명서를 다운로드하십시오.

USB 콘솔을 통해 스위치를 모니터링하고 구성하려면, 제공된 USB 케이블을 사용하여 스위치의 전면 패널에 있는 콘솔 포트를 통해 VT100 터미널 에뮬레이션 소프트웨어를 실행 중인 컴퓨터에 연결합니다. USB 케이블을 처음 사용하는 경우 드라이버를 다운로드 및 설치해야 할 수 있습니다.

콘솔 포트를 사용하려면 다음 장비가 필요합니다.

- HyperTerminal®이나 USB 드라이버와 같이 VT100 터미널 에뮬레이션 소프트웨어를 실행 중인 USB 포트가 있는 VT100 호환 컴퓨터 .
- 콘솔 포트의 경우 유형 B USB 커넥터 , 호스트 PC 의 경우 USB 커넥터 가 있는 공급된 USB 케이블 .

터미널을 스위치 콘솔 포트에 연결하려면 다음 작업을 수행하십시오.

- 1 제공된 스위치에 USB 유형 B 커넥터를 연결하고 다른 끝을 VT100 터미널 에뮬레이션 소프트웨어를 실행 중인 컴퓨터에 연결합니다 .
- 2 터미널 에뮬레이션 소프트웨어를 다음과 같이 구성합니다 .
 - a 해당 직렬 포트 (예 : COM 1) 를 선택하여 콘솔에 연결합니다 .
 - b 데이터 속도를 115,200 보드로 설정합니다 .
 - c 데이터 형식을 8 data bits, 1 stop bit 및 no parity 으로 설정합니다 .
 - d 흐름 제어를 없음으로 설정합니다 .
 - e 터미널 에뮬레이션 모드를 VT100 으로 설정합니다 .
 - f 기능 , 화살표 키와 Ctrl 키용 터미널 키를 선택합니다 . 설정이 터미널 키 (Microsoft Windows 키 아님) 에 적절한지 확인합니다 .
- 3 케이블의 USB 유형 B 커넥터를 스위치 콘솔 포트에 직접 연결합니다 . Dell Networking 콘솔 포트는 전면 패널 오른쪽에 위치해 있으며 |O|O 표시가 표시되어 있습니다 .



주: 스택 관리자에 대한 콘솔 액세스는 로컬 CLI 를 통한 모든 콘솔 포트 에서 사용할 수 있습니다 . 한 번에 1 개의 USB 콘솔 세션만 지원됩니다 .

N1100-ON Series 전원 에 스위치 연결하기

△ 주의: 안전 및 규정 정보 설명서에 있는 안전 정보와 스위치에 연결되거나 지 원하는 다른 스위치의 안전 정보를 읽으십시오.

N1108T-ON 및 N1108P-ON 모델에는 1개의 내부 전원 공급 장치가 있습니다. 전원 소켓은 후면 패널에 있습니다. N1108EP-ON은 외부 DC 전원 어댑터를 사용합니다. 외부 DC 전원 어댑터

AC 및 DC 전원 연결

- 1 스위치 콘솔 포트가 USB를 통해 USB 유형 B 케이블로 VT100 터미널 에 물레이터를 실행하는 PC 에 연결되어 있는지 확인합니다.
- 2 연결되어 있는 안전 접지 1.5m(5 피트) 표준 전원 케이블을 사용하여 전 원 케이블을 후면 패널에 있는 AC 메인 소켓에 연결합니다.
PoE 모델 스위치에는 스위치 전원 소켓을 위한 노치 커넥터가 있는 고 성능 전원 케이블이 있습니다. PoE 지원 스위치에는 반드시 이 유형의 케이블을 사용해야 합니다.
- 3 전원 케이블을 접지된 AC 콘센트에 연결하십시오.

N1100-ON Series 스위치 부팅

이미 연결된 로컬 터미널로 전원을 켜는 경우, 스위치는 POST(Power-On Self-Test; 시동 자체 시험)를 거치게 됩니다. POST는 스위치가 초기화될 때마다 실행되고 하드웨어 구성 요소 검사를 실행해서 스위치가 완전히 부팅하기 전에 완전히 작동하는지 확인합니다. POST에서 중요한 문제가 발견되면 프로그램 흐름이 중지됩니다. POST를 통과하면 유효한 펌웨어가 RAM에 로드됩니다. POST 메시지가 터미널에 표시되고 테스트 성공 여부를 알려줍니다. 부팅 프로세스는 약 60초가 소요됩니다.

POST의 첫 번째 부분이 완료되면 **부팅** 메뉴를 호출할 수 있습니다. **부팅** 메뉴에서, 시스템 출하 시 기본값으로 재설정, 백업 이미지 활성화, 암호 복구 등과 같은 구성 작업을 수행할 수 있습니다. **부팅** 메뉴 기능에 대한 자세한 내용은 *CLI 참조 안내서*를 참조하십시오.

N1100-ON Series 초기 구성 수행

초기 구성을 수행하려면 다음의 전체 조건을 충족해야 합니다.

- Dell Networking 스위치가 이전에 구성된 적이 없습니다 .
- Dell Networking 스위치가 정상적으로 부팅됩니다 .
- 콘솔 연결이 설정되어 있으면 , **Dell Easy 설치 관리자** 프롬프트가 터미널 에뮬레이션 소프트웨어를 실행하는 PC 의 화면에 나타납니다 .

초기 스위치 구성은 콘솔 포트를 통해 수행됩니다. 초기 구성 후에는 이미 연결된 콘솔 포트 또는 초기 구성 중에 정의된 인터페이스를 통해 원격으로 스위치를 관리할 수 있습니다.



주: 스위치는 기본 사용자 이름, 암호 또는 IP 주소가 구성되어 있지 않습니다. 스위치의 초기 구성을 설정하기 전에 네트워크 관리자로부터 다음 정보를 문의하십시오.

- 관리 인터페이스에 할당할 IP 주소 .
- 네트워크에 대한 IP 서브넷 마스크 .
- 관리 인터페이스 기본 게이트웨이의 IP 주소 .

이러한 설정은 텔넷(텔넷 클라이언트) 또는 HTTP(웹 브라우저) 연결을 통한 스위치의 원격 관리를 위해 필요합니다.

원격 관리 활성화

N1100-ON Series 스위치의 전면 패널에 있는 스위치 포트를 사용하여 대역 내 관리를 실행할 수 있습니다. 기본적으로, 모든 대역 내 포트는 VLAN 1의 구성원입니다.

Dell Easy 설치 관리자에는 N1100-ON Series 스위치의 VLAN 1 인터페이스에 대한 네트워크 정보를 구성하는 프롬프트가 포함되어 있습니다. 정적 IP 주소 및 서브넷 마스크를 할당하거나 DHCP를 활성화하고 네트워크 DHCP 서버가 정보를 할당하도록 허용할 수 있습니다.

네트워크 정보 구성 명령은 *CLI 참조 안내서*를 참조하십시오.

초기 구성 절차

Dell Easy 설치 관리자 또는 CLI를 사용하여 초기 구성을 실행합니다. 스위치 구성 파일이 비어 있는 경우, 마법사가 자동으로 시작됩니다. 언제든지 [ctrl+z]를 입력하여 마법사를 종료할 수 있지만 지정된 모든 구성 설정이 폐기되며, 스위치는 기본 값을 사용하게 됩니다.



주: Dell Easy 설치 관리자를 실행하지 않거나 초기 사용자 환경 설정 마법사 프롬프트에 60초 안에 응답하지 않는 경우, 스위치가 CLI 모드를 시작합니다. **Dell Easy 설치 관리자**를 다시 실행하려면 빈 시작 구성으로 스위치를 재설정해야 합니다.

CLI를 사용하여 초기 구성을 수행하는 방법에 대한 자세한 내용은 *CLI 참조 안내서*를 참조하십시오. 이 *시작 안내서*는 **Dell Easy 설치 관리자**를 사용하여 초기 스위치를 구성하는 방법을 보여 줍니다. 마법사는 스위치에서 다음 구성을 설정합니다.

- 초기 권한 사용자 계정을 유효한 암호로 설정합니다. 마법사는 설정 중에 하나의 권한 사용자 계정을 구성합니다.
- 로컬 인증 설정만 사용하려면 CLI 로그인 및 HTTP 액세스를 활성화합니다.
- 모든 대역 내 포트가 구성원인 VLAN 1 경로 지정 인터페이스에 대한 IP 주소를 설정합니다.
- 지정된 IP 주소에서 SNMP 관리자가 사용할 SNMP 커뮤니티 문자열을 설정합니다. SNMP 관리가 이 스위치에 대해 사용되지 않는 경우 이 단계를 건너뛰십시오.
- 네트워크 관리 시스템 IP 주소를 지정하거나 모든 IP 주소로부터의 관리 액세스를 허용할 수 있습니다.
- VLAN 1 인터페이스에 대한 기본 게이트웨이 IP 주소를 구성합니다.

세션 예시

이 섹션에서는 Dell Easy 설치 관리자 세션을 설명합니다. 세션 예시에서는 다음과 같은 값이 사용됩니다.

- 사용할 SNMP 커뮤니티 문자열은 **public** 입니다.
- 네트워크 관리 시스템 (NMS) IP 주소는 **10.1.2.100** 입니다.
- 사용자 이름은 **admin**, 암호는 **admin123** 입니다.
- VLAN 1 경로 지정 인터페이스에 대한 IP 주소는 **10.1.1.200** 이며 서브넷 마스크는 **255.255.255.0** 입니다.
- 기본 게이트웨이는 **10.1.1.1** 입니다.

설치 마법사의 초기 구성 값은 위와 같습니다. 마법사를 완료하고 나면 스위치는 다음과 같이 구성됩니다.

- SNMPv2 가 활성화되고 커뮤니티 문자열은 위에서 정의된 대로 설정됩니다. SNMPv3 은 기본적으로 사용하지 않도록 설정됩니다.
- 관리자 사용자 계정은 정의된 대로 설정됩니다.
- 네트워크 관리 시스템이 구성됩니다. 관리 스테이션에서 SNMP, HTTP 및 CLI 인터페이스에 액세스할 수 있습니다. 또한, (0.0.0.0) IP 주소를 선택하여 모든 IP 주소가 이러한 관리 인터페이스에 액세스할 수 있도록 선택할 수도 있습니다.
- VLAN 1 경로 지정 인터페이스의 IP 주소가 구성됩니다.
- 기본 게이트웨이 주소가 구성됩니다.



주: 다음 예에서, 가능한 사용자 옵션 또는 기본 값은 []로 표시되어 있습니다. 옵션을 지정하지 않고 <Enter>를 누르면 기본 값이 허용됩니다. 도움말 텍스트는 괄호 안에 표시됩니다.

Dell Easy 설치 관리자 콘솔 예시

다음 예시에는 앞서 나열된 입력 값을 사용한 예시 Dell Easy 설치 관리자 세션의 실행과 관련된 일련의 프롬프트와 응답이 포함되어 있습니다.

스위치에서 POST가 완료되고 부팅이 되면 다음과 같은 대화 상자가 나타납니다.

```
Unit 1 - Waiting to select management unit)>
```

```
_____Dell SupportAssist EULA_____
```

```
I accept the terms of the license agreement. You can reject the license agreement by configuring this command 'eula-consent support-assist reject'.
```

```
By installing SupportAssist, you allow Dell to save your contact information (e.g. name, phone number and/or email address) which would be used to provide technical support for your Dell products and services Dell may use the information for providing recommendations to improve your IT infrastructure. Dell SupportAssist also collects and stores machine diagnostic information, which may include but is not limited to configuration information, user supplied contact information, names of data volumes, IP addresses, access control lists, diagnostics & performance information, network configuration information, host/server configuration & performance information and related data (Collected Data) and transmits this information to Dell. By downloading SupportAssist and agreeing to be bound by these terms and the Dell end user license agreement, available at: http://www.dell.com/aeula, you agree to allow Dell to provide remote monitoring services of your IT environment and you give Dell the right to collect the Collected Data in accordance with Dell's Privacy Policy, available at: http://www.dell.com/privacypolicycountryspecific, in order to enable the performance of all of the various functions of SupportAssist during your entitlement to receive related repair services from Dell. You further
```

agree to allow Dell to transmit and store the Collected Data from SupportAssist in accordance with these terms. You agree that the provision of SupportAssist may involve international transfers of data from you to Dell and/or to Dell's affiliates, subcontractors or business partners. When making such transfers, Dell shall ensure appropriate protection is in place to safeguard the Collected Data being transferred in connection with SupportAssist. If you are downloading SupportAssist on behalf of a company or other legal entity, you are further certifying to Dell that you have appropriate authority to provide this consent on behalf of that entity. If you do not consent to the collection, transmission and/or use of the Collected Data, you may not download, install or otherwise use SupportAssist.

AeroHive HiveManager NG EULA

This switch includes a feature that enables it to work with HiveManager (an optional management suite), by sending the switch's service tag number and IP Address to HiveManager to authenticate your entitlement to use HiveManager. If you wish to disable this feature, you should run command 'eula-consent hiveagent reject' immediately upon powering up the switch for the first time, or at any time thereafter.

Applying Global configuration, please wait...

Welcome to Dell Easy Setup Wizard

The setup wizard guides you through the initial switch configuration, and gets you up and running as quickly as possible. You can skip the setup wizard, and enter CLI mode to manually configure the switch. You must respond to the next question to run the setup wizard within 60 seconds, otherwise the system will continue

with normal operation using the default system configuration. Note: You can exit the setup wizard at any point by entering [ctrl+z].

Would you like to run the setup wizard (you must answer this question within 60 seconds)? [Y/N] **y**

Step 1:

The system is not set up for SNMP management by default. To manage the switch using SNMP (required for Dell Network Manager) you can

- . Set up the initial SNMP version 2 account now.
- . Return later and set up other SNMP accounts. (For more information on setting up an SNMP version 1 or 3 account, see the user documentation).


Would you like to set up the SNMP management interface now? [Y/N] **y**

To set up the SNMP management account you must specify the management system IP address and the "community string" or password that the particular management system uses to access the switch. The wizard automatically assigns the highest access level [Privilege Level 15] to this account. You can use Dell Network Manager or other management interfaces to change this setting, and to add additional management system information later. For more information on adding management systems, see the user documentation.

To add a management station:

Please enter the SNMP community string to be used.

[public]: **public**

 **주:** 이 항목이 구성될 경우 SNMP 관리 인터페이스에 대한 기본 액세스 수준이 최고 수준 액세스로 설정됩니다. 처음에는 SNMPv2만 활성화됩니다. SNMPv3는 SNMPv3에 대한 보안 액세스(예: 엔진 ID, 보기 등) 구성으로 돌아갈 때까지 비활성화됩니다.

Please enter the IP address of the Management System (A.B.C.D) or wildcard (0.0.0.0) to manage from any Management Station. [0.0.0.0]: **10.1.2.100**

Step 2:

Now we need to set up your initial privilege (Level 15) user account. This account is used to login to the CLI and Web interface. You may set up other accounts and change privilege levels later. For more information on setting up user accounts and changing privilege levels, see the user documentation.

To set up a user account:

```
Please enter the user name. [root]:admin
Please enter the user password: *****
Please reenter the user password: *****
```

Step 3:

Next, an IP address is set up on the VLAN 1 routing interface.

You can use the IP address to access the CLI, Web interface, or SNMP interface of the switch.

To access the switch through any Management Interface you can

- . Set up the IP address for the Management Interface.
- . Set up the default gateway if IP address is manually configured on the routing interface.

Step 4:

```
Would you like to set up the VLAN1 routing interface now? [Y/N] y
```

```
Please enter the IP address of the device (A.B.C.D) or enter "DHCP" (without the quotes) to automatically request an IP address from the network DHCP server:  
10.1.1.200
```

```
Please enter the IP subnet mask (A.B.C.D or /nn):  
255.255.255.0
```

Step 5:

Finally, set up the default gateway. Please enter the IP address of the gateway from which this network is reachable. [0.0.0.0]: **10.1.1.1**

This is the configuration information that has been collected:

```
SNMP Interface = "public"@10.1.2.100
User Account setup = admin
Password = *****
VLAN1 Router Interface IP = 10.1.1.200 255.255.255.0
Default Gateway = 10.1.1.1
```

Step 6:

If the information is correct, please enter (Y) to save the configuration and copy the settings to the start-up configuration file. If the information is incorrect, enter (N) to discard the configuration and restart the wizard: [Y/N] **y**

Thank you for using the Dell Easy Setup Wizard. You will now enter CLI mode.

Applying Interface configuration, please wait...

다음 단계

이 섹션에 설명된 초기 구성을 완료한 후, 전면 패널 스위치 포트 중 하나를 대역 내 원격 관리를 위한 프로덕션 네트워크에 연결합니다.

VLAN 1 관리 인터페이스 IP 주소에 대해 DHCP를 지정한 경우, 인터페이스는 네트워크의 DHCP 서버에서 해당 IP 주소를 획득합니다. 동적으로 할당된 IP 주소를 검색하려면, 콘솔 포트 연결을 사용하여 다음 명령어를 발급합니다:

- VLAN 1 경로 지정 인터페이스의 경우, **show ip interface** 를 입력합니다.

Dell OpenManage 스위치 관리자 인터페이스에 액세스하려면 VLAN 1 관리 인터페이스 IP 주소를 웹 브라우저의 주소 필드에 입력합니다. CLI 원격 관리에 액세스하려면 VLAN 1 관리 인터페이스 IP 주소를 텔넷 또는 SSH 클라이언트에 입력합니다. 또는, 기존과 같이 로컬 CLI 액세스에 대한 콘솔 포트를 사용해 스위치에 액세스합니다.

N1100-ON Series 스위치는 VLAN 및 스페닝 트리 프로토콜과 같은 기본 스위칭 기능을 지원합니다. 웹 기반 관리 인터페이스 또는 CLI를 사용하여 네트워크에 필요한 기능을 구성합니다. 스위치 기능을 구성하는 방법에 관한 자세한 내용은 지원 사이트(dell.com/support)의 *사용자 구성 안내서* 또는 *CLI 참조 안내서*를 참조하십시오.

기관 규정 준수

N1108T-ON, N1108P-ON, N1108EP-ON, N1124T-ON, N1124P-ON, N1148T-ON 및 N1148P-ON 스위치는 다음 안전 및 기관 요구 사항을 준수합니다.

클래스 A 장비에 대한 일본 VCCI 규정 준수

그림 1-8. 일본 : 클래스 A 장비에 대한 일본 VCCI 규정 준수

この装置は、クラスA機器です。この装置を住宅環境で使用すると電波妨害を引き起こすことがあります。この場合には使用者が適切な対策を講ずるよう要求されることがあります。

VCCI - A

이 제품은 VCCI(Voluntary Control Council For Interference by Information Technology Equipment)의 표준을 따르는 클래스 A 제품입니다. 이 장비는 가정 환경에서 사용되는 경우 무선 간섭을 유발할 수 있으며, 이 경우 사용자는 적절한 조치를 취해야 할 수 있습니다.

경고 : AC 전원 케이블은 Dell EMC 장비에만 사용하십시오. 인증되지 않은 하드웨어와 함께 Dell EMC AC 전원 케이블을 사용하지 마십시오.

그림 1-9. 일본 : 경고 레이블

本製品に同梱いたしております電源コードセットは、本製品専用です。本電源コードセットは、本製品以外の製品ならびに他の用途でご使用いただくことは出来ません。製品本体には同梱された電源コードセットを使用し、他製品の電源コードセットを使用しないで下さい。

인도 규정 준수 인증

이 제품은 연관된 TEC(Telecommunication Engineering Centre)의 필수 요구 사항 규정을 준수합니다.


한국 규정 준수 인증

그림 1-10. 한국 규정 준수 인증

A급 기기
(업무용 방송통신기자재)

이 기기는 업무용(A급) 전자파적합기기로서 판매자 또는 사용자는 이 점을 주의하시기 바라며, 가정외의 지역에서 사용하는 것을 목적으로 합니다.

그림 1-11. 한국 패키지 레이블

	 [equipment type]
품명(Product Name)	Ethernet Switch
모델명(Model)	[model number]
신청인(Applicant)	Dell Technologies
제조사(Manufacturer)	
제조년월(Manufacturing Date)	[date]
제조국(Country of Origin)	China

안전 표준 및 규정 준수 기관 인증

- IEC 62368-1, 제 2 판
- CUS UL 60950-1, 제 2 판
 - UL 60950-1 에 따른 Hi Pot 및 접지 연속성 테스트를 충족 또는 초과합니다.
- AS/NZS 60950
- CSA 60950-1-03, 제 2 판
- EN 60950-1, 제 2 판
- EN 60825-1, 제 1 판
- EN 60825-1 레이저 제품의 안전 - 제 1 부: 장비 분류 요구 사항 및 사용자 가이드

- EN 60825-2 레이저 제품의 안전 - 제 2 부 : 광섬유 통신 시스템의 안전
- FDA 규정 21CFR 1040.10 및 1040.11
- 모든 국가별 편차 및 그룹별 차이를 포함한 IEC 60950-1 제 2 판

전자기 호환성

배출

- 국제 : CISPR 32: 클래스 A
- 호주 / 뉴질랜드 : AS/NZS CISPR 32, 클래스 A
- 캐나다 : ICES-003, Issue-4, 클래스 A
- 유럽 : EN55032:2015(CISPR 32), 클래스 A
- EN55032
- 일본 : VCCI 클래스 A
- 한국 : KN32, 클래스 A
- 대만 : CNS13438, 클래스 A
- 미국 : FCC CFR47 Part 15, Subpart B, 클래스 A


면책

- EN 300 386 네트워크 장비에 대한 EMC
- EN 55024
- EN 61000-3-2 고조파 전류 방출
- EN 61000-3-3 전압 변동 및 플리커
- EN 61000-4-2 ESD
- EN 61000-4-3 방사 내성
- EN 61000-4-4 EFT
- EN 61000-4-5 과전류
- EN 61000-4-6 저주파 전도 내성

제품 재활용 및 폐기

해당 지역 또는 국가 규정에 따라 이 시스템을 재활용하거나 폐기해야 합니다. Dell EMC는 이 장비가 더 이상 필요하지 않을 때 IT(information technology) 장비의 소유자가 장비를 책임감 있게 재활용하도록 권장합니다. Dell EMC는 장비 소유자가 IT 제품을 재활용하는 데 도움이 되도록 여러 국가에서 다양한 제품 반환 프로그램 및 서비스를 제공합니다.

작동 고도 - 정보 업데이트

 **주:** 이 문서에 지정된 작동 고도 제한은 중국에 배송되는 시스템에만 적용됩니다.

다음 정보는 공식 중국 표준의 요구 사항을 준수합니다.

- 운영 고도 범위는 -15.2m ~ 2000m 입니다 (-50 피트 ~ 6560 피트).
- 2950 피트를 넘는 고도에서 최대 작동 온도는 1°F/550 피트로 감소됩니다.

www.dell.com | dell.com/support