

PS4110 Installation

Before You Begin

This is a condensed reference. Read the *Installation Guide* (provided in the box) for complete installation information.

Register for an EqualLogic Customer Support Account.

If you do not have a customer service support account, go to support.dell.com and create one.

Download and Read the Release Notes from the Support Site.

The *PS Series Release Notes* contain the latest product information.

Review Safety Guidelines.

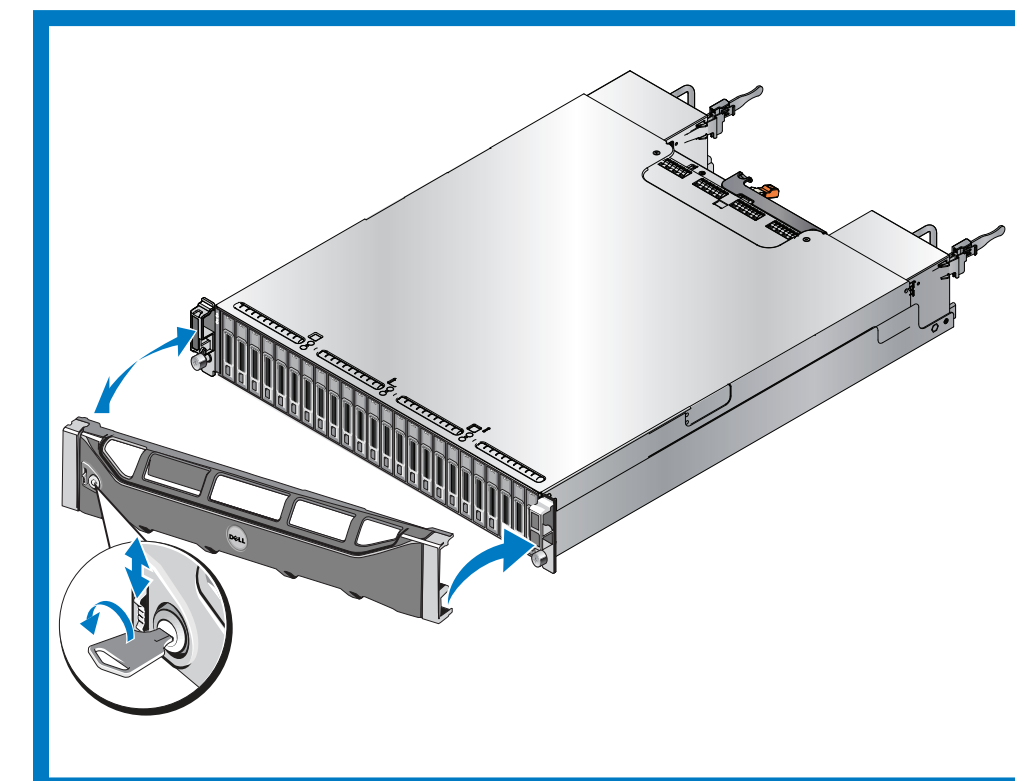
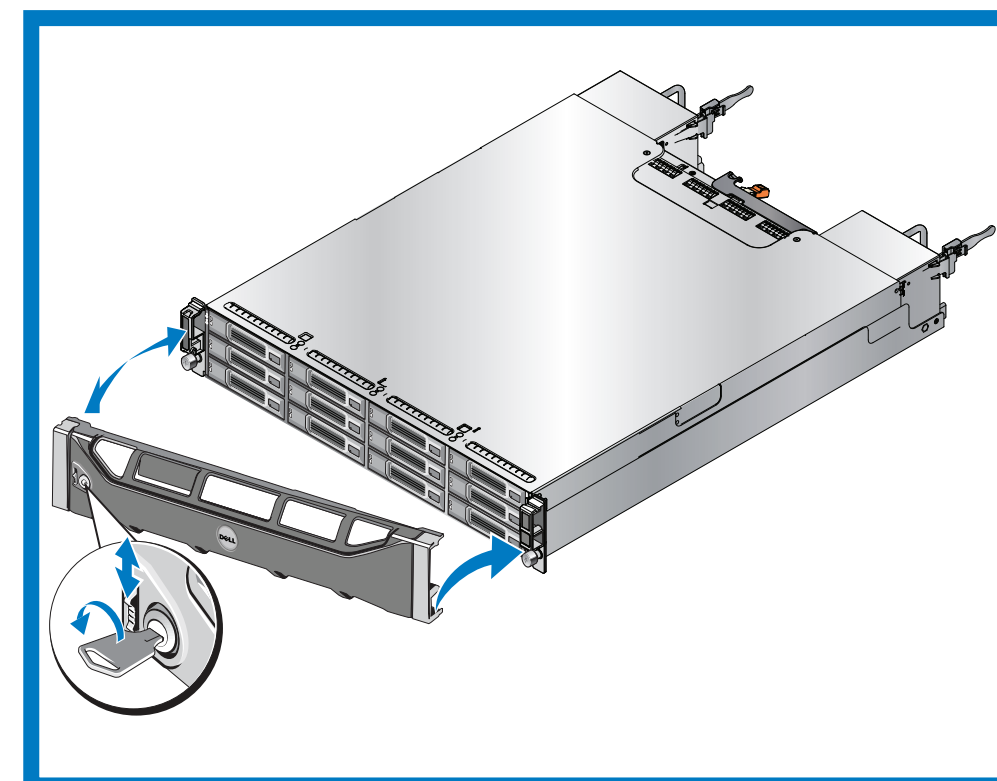
Be sure to review the safety instructions in your Safety, Environmental, and Regulatory Information booklet.

Prepare For Installation:

- Environmental Requirements
 - Make sure the installation location meets the power, cooling, and ventilation requirements described in the *Installation Guide*, located in the shipping box.
- Networking Requirements
 - Standard Ethernet and TCP/IP networking rules apply to a PS Series SAN.
 - 10 Gigabit Ethernet is required.
- Hardware requirements (not supplied)
 - Standard 19-inch, four-post rack.
 - For Ethernet connections (use only one of the two 10GE ports):
 - With the 10GBASE-T port, CAT6 (or better) cable for 37 to 55 meters, CAT6A or CAT7 for up to 100 meters.
 - With the SFP+ port, optical cable or copper SFP+ cable.
 - For Management connections (optional): CAT5 cable with RJ45 connector.

3 Install the Front Bezel

1. Hold the bezel with the array model number and Dell logo upright.
2. Hook the right end of the bezel onto the right side of the chassis.
3. Swing the left end of the bezel towards the left side of the chassis.
4. Press the bezel into place until the release latch closes.
5. Using the provided key, lock the front bezel. Store the key in a safe place.

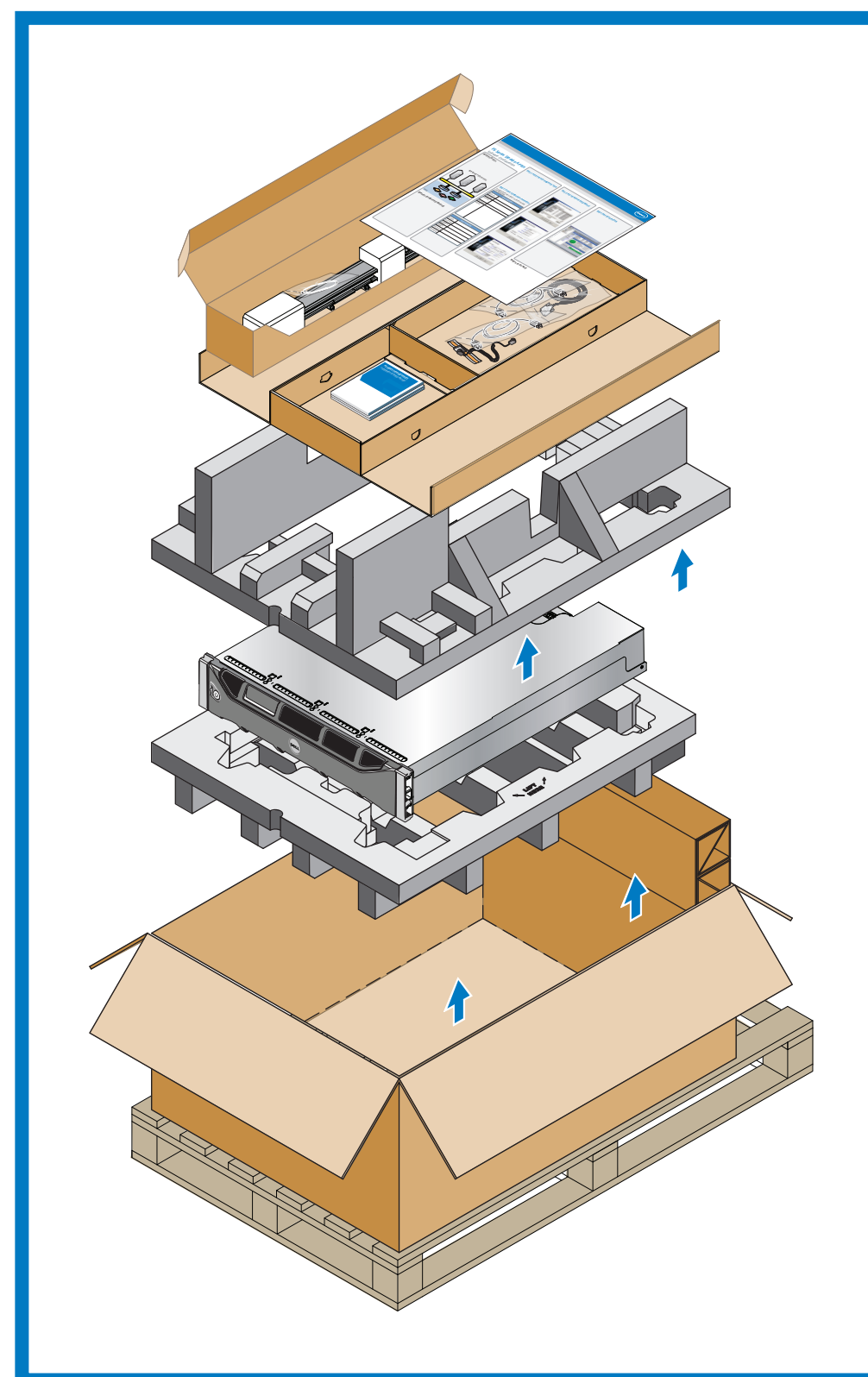


1 Unpack the Shipping Box

Caution: Protect sensitive hardware. Make sure you use an electrostatic wrist strap or similar form of protection when handling hardware.

Make sure the shipping box contains the following items:

- Setup poster (this document)
- Rail kit (if ordered)
- Power cables
- Electrostatic wrist strap
- Documentation
- PS Series Storage Array



2 Install the Array in a Rack

Warning! The array is heavy. Do not attempt to lift the array without assistance.

Mount the array in a four-post, 19-inch rack. See the rack instructions that came with the rail kit in your shipping box (if ordered).

4 Connect the Power Cables

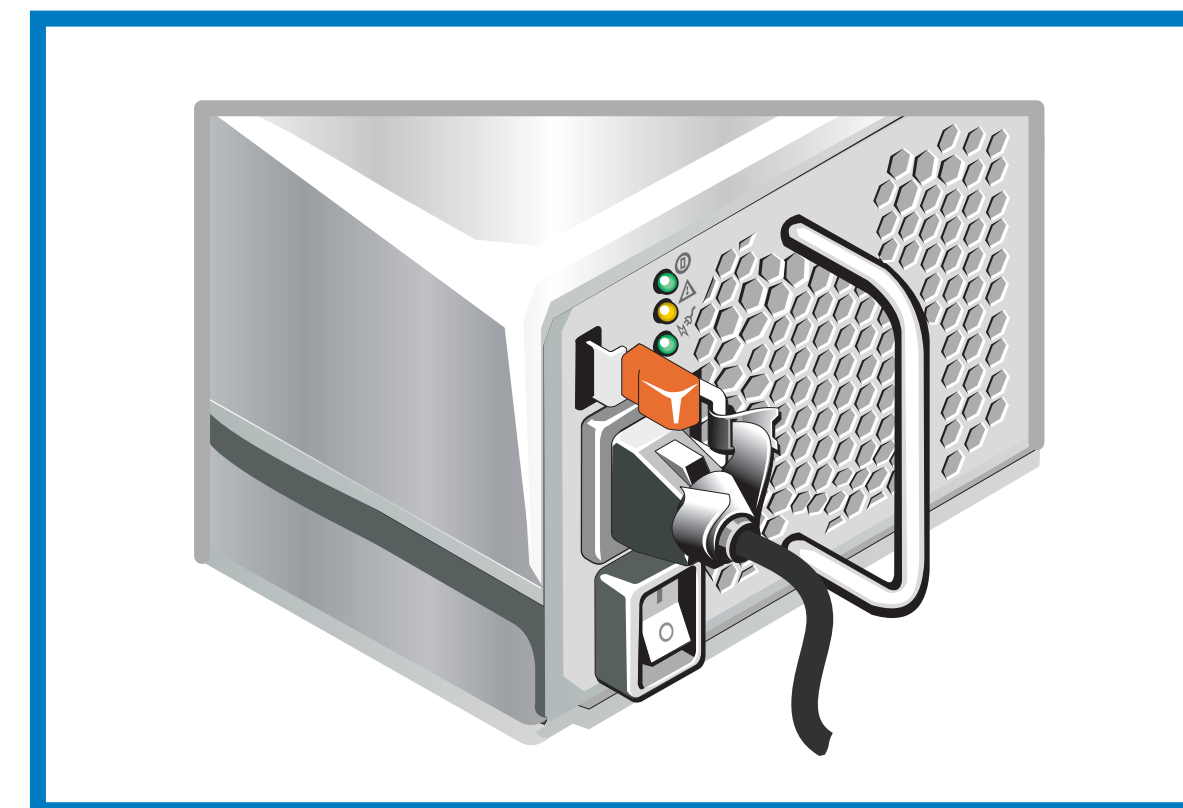
Caution: Make sure the power switch is set to off (O) before connecting the power cables.

1. Use the power cables shipped with the array to connect each power supply module to a power source.

Note: Use separate sources of power, if possible.
2. Use the strain relief fastener to secure the power cables to the power supply modules so they cannot be pulled out accidentally.

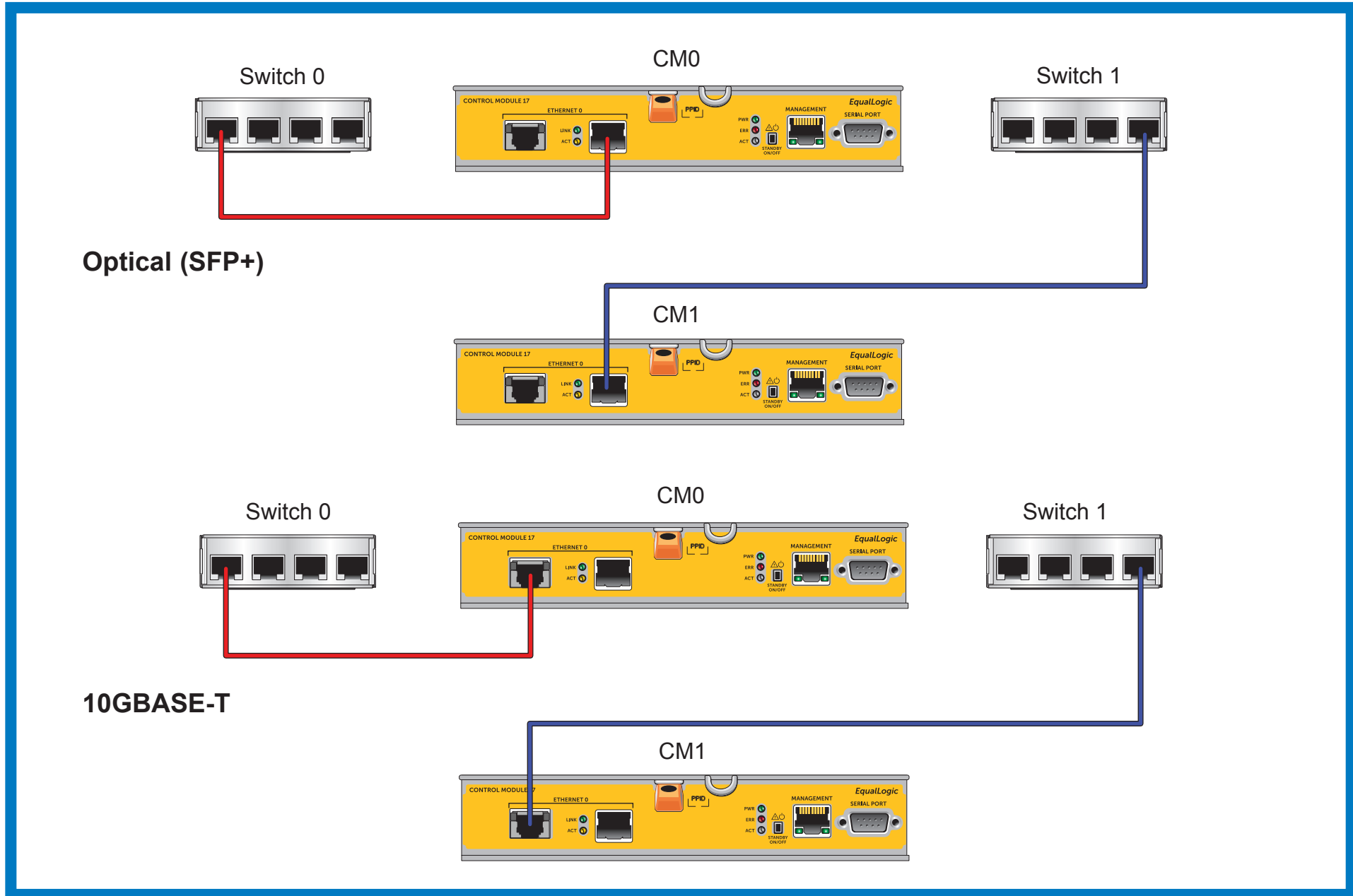
If the array was not shipped with power cables, see your PS Series support provider or reseller for power cable information.

See the *Installation Guide* for more information.



5 Connect the Array to the Network

Recommended Configuration: For high performance and availability distribute the connections across multiple network switches. The switches must be connected with interswitch links that have sufficient bandwidth. See the *Installation Guide* for more information.



Hardware Installation is Complete!

Your array hardware should now be up and running. If it is not, make sure that you have successfully completed all of the steps described in this poster.

If you are still experiencing problems, see the *Installation Guide* for additional installation information. The *Installation Guide* also provides technical support and customer service information.

For live technical support, call 1-800-945-3355.

What to do Next

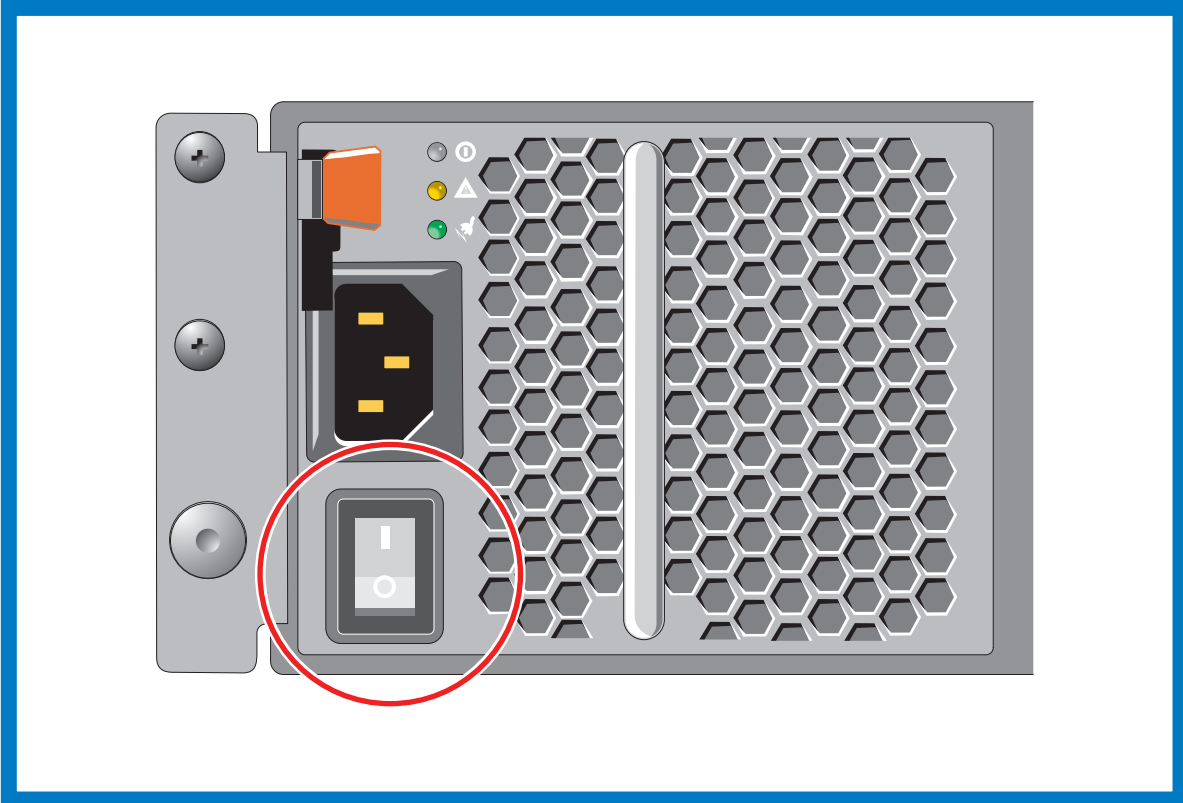
Next, configure the array software. See the *Installation Guide* for array configuration information.

6 Turn on Power to the Array

Note: Before turning on power, allow enough time for the array to adjust to ambient temperature and humidity (for example, overnight).

Turn on power to both power supply modules (in any order) by pressing (I) on the power switch. The power switch on each power supply module is located below the power plug.

Note: Batteries will start to charge and some hardware components may start to synchronize when power is turned on. Array LEDs will indicate this normal activity.



Notes, Cautions, and Warnings

A **NOTE** indicates important information that helps you make better use of your system.

⚠ A **CAUTION** indicates potential damage to hardware or loss of data if instructions are not followed.

⚠ A **WARNING** indicates a potential for property damage, personal injury, or death.

Information in this document is subject to change without notice.

Reproduction in any manner whatsoever without the written permission of Dell EqualLogic is strictly forbidden.

Dell and EqualLogic are trademarks of Dell Inc. Copyright 2011 Dell Inc. All rights reserved.

Printed in U.S.A.
Printed on recycled paper.
DNG36 rev.A00

