



PS4100

Hardware Maintenance Guide

Version 1.0

Copyright 2011 Dell, Inc. All rights reserved.

Dell is a trademark of Dell, Inc.

EqualLogic is a registered trademark.

All trademarks and registered trademarks mentioned herein are the property of their respective owners.

Information in this document is subject to change without notice.

Reproduction in any manner whatsoever without the written permission of Dell is strictly forbidden.

June 2011

Part Number: 110-6063-EN-R1

Table of Contents

1 Basic Storage Array Information.....	1
Notes, Cautions, and Warnings.....	1
Recommended Tools.....	1
Protecting Hardware	1
Chassis Types.....	2
Array Features.....	2
The Bezel	2
Installing the Bezel.....	2
Front-Panel Features and Indicators	3
Back-Panel Features and Indicators.....	4
Shutting Down and Restarting an Array	5
2 Maintaining Drives	7
About Drive Types.....	7
Identifying Failed Drives	7
Interpreting Drive LEDs	7
Array Behavior When a Drive Fails	8
Drive Handling Requirements	9
Drive Installation Guidelines and Restrictions	9
Removing a 2.5-inch Drive.....	10
Installing a 2.5-inch Drive	11
Removing a 3.5-inch Drive.....	12
Installing a 3.5-inch Drive	13
Installing a Drive Blank	14
Removing a Drive Blank.....	15
3 Maintaining Control Modules	17
Control Module Features	17

About Control Module Configurations	17
Interpreting Control Module LEDs.....	18
Identifying Control Module Failures	19
Understanding Failover Behavior	19
Maintaining Control Module Firmware.....	20
Control Module Handling Requirements.....	20
About the Standby On/Off Button	21
Replacing a Control Module	22
Removing a Control Module.....	22
Installing a Control Module	23
Replacing the MicroSD Card	24
Removing the MicroSD Card	25
Inserting the MicroSD Card	26
Advanced Networking Options.....	26
Configuring the Management Port.....	27
4 Maintaining Power Supply and Cooling Modules.....	29
About AC Power Supplies	29
Power Supply LEDs.....	29
Removing a Power Supply and Cooling Module.....	30
Installing a Power Supply and Cooling Module	31
5 Troubleshooting Your Array.....	35
Safety First—For You and Your array	35
Obtaining Technical Support and Customer Service	35
Determining Service Tag Information	35
Obtaining Component Diagnostics	36
Troubleshooting Array Startup Failure	36
Troubleshooting Loss of Communication.....	36
Troubleshooting Array Connections.....	36

Troubleshooting External Connections.....	36
Troubleshooting Power Supply and Cooling Modules	36
Troubleshooting Array Cooling Problems	37
Troubleshooting Control Modules	37
Troubleshooting Hard Drives.....	38
Index.....	39

1 Basic Storage Array Information

This chapter includes information about the location and basic operation of the replaceable components in a storage array, tools and equipment you will need, protecting hardware from electrostatic discharge, and power on and off operations.

Notes, Cautions, and Warnings

A **NOTE** indicates important information that helps you make better use of your system.

A **CAUTION** indicates potential damage to hardware or loss of data if instructions are not followed.

A **WARNING** indicates a potential for property damage, personal injury, or death.

Recommended Tools

You will need the following items to perform the procedures in this section:

- Bezel key
- Wrist grounding strap

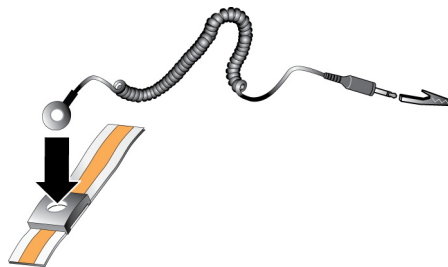
Protecting Hardware

Protect a PS Series array from electrostatic discharge. When handling array hardware, make sure you use an electrostatic wrist strap or a similar form of protection.

To use a wrist strap:

1. Connect the steel snap on the coil cord to the stud on the elastic band. See [Figure 1](#).

Figure 1 Using an Electrostatic Wrist Strap



2. Fit the band closely around your wrist.

3. Connect the banana plug to ground, or attach the plug to the alligator clip and connect the clip to a grounded device such as an ESD mat or the metal frame of a grounded piece of equipment.

Chassis Types

The PS4100 array is available in two different chassis types:

- A 2U chassis with 24 2.5-inch drives, installed vertically
- A 2U chassis with 12 3.5-inch drives, installed horizontally

Array Features

The array has LEDs and other features on both the front and the back.

The Bezel

The bezel is an optional trim panel that attaches to the front of the array to ensure the physical security of the array. You must remove the bezel to access and maintain the drives.

The bezel has a label that identifies the array model number.

Removing the Bezel

The steps for removing the bezel are the same for all array models.

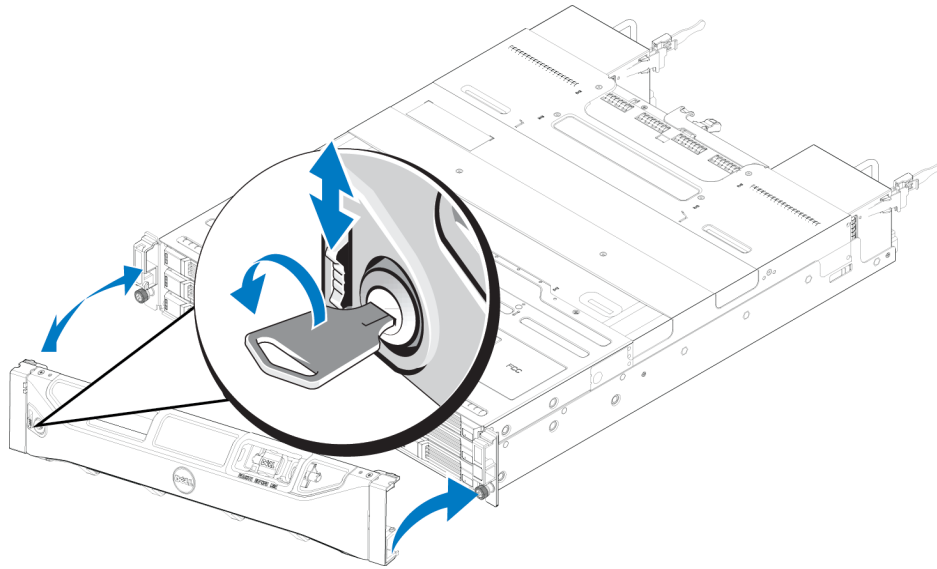
1. Using the bezel key, unlock the bezel.
2. Holding the bezel, lift the latch on the left side of the bezel and swing the left side away from the array.
3. Lift the right side of the bezel off the right side of the array.
4. Set the bezel aside.

Installing the Bezel

The steps for installing the bezel are the same for all the array models.

1. Hook the right end of the bezel onto the right side of the chassis.
2. Swing the left end of the bezel towards the left side of the chassis.
3. Press the bezel into place until the release latch closes.
4. Using the key provided, lock the bezel and store the key in a safe place.

Figure 2 Installing the Bezel



Front-Panel Features and Indicators

The front of a PS4100, without the bezel, is shown in [Figure 3](#) and [Figure 4](#).

[Table 1](#) describes the front panel features.

Figure 3 Front Panel Features and Indicators (3.5-inch Drives)

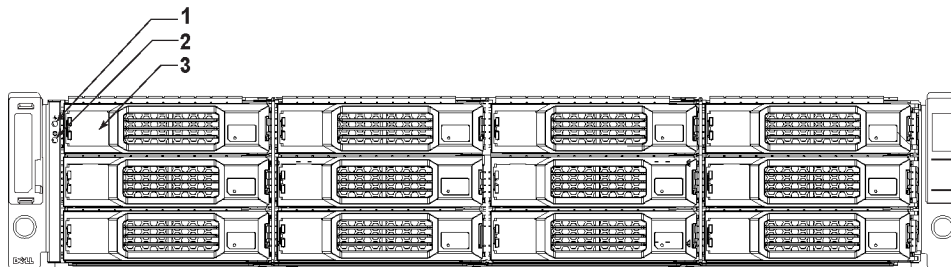


Figure 4 Front Panel Features and Indicators (2.5-inch Drives)

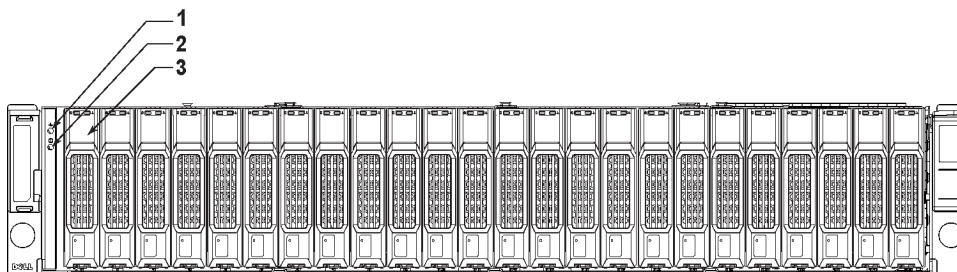

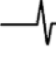


Table 1 Front Panel Feature Descriptions

Item	Indicator	Icon	Description
1	Array status LED		The array status LED lights when the array power is on. <ul style="list-style-type: none"> Off—No power. Steady blue—Array status is OK. Blinking blue—Administrator request to identify the array (see the <i>Group Administration</i> online help). Steady amber—Critical status. Blinking amber—Warning.
2	Power LED		The power LED is ON when at least one power supply is supplying power to the array. <ul style="list-style-type: none"> Off—No power (both power supplies are off or not present). Steady green—Array has at least one power supply providing power. Blinking green—Array is in power standby mode.
3	Drive Release Latch	None	Enables you to remove a drive from the array.

Note: The LEDs are part of a built-in chassis control panel that is not hot-swappable and can be replaced only by support personnel. During the array power-up sequence, these LEDs will cycle through different states until the array is fully started and the active control module has been determined.

Back-Panel Features and Indicators

The back of a PS4100 is shown in [Figure 5](#).

[Table 2](#) describes the back panel features.

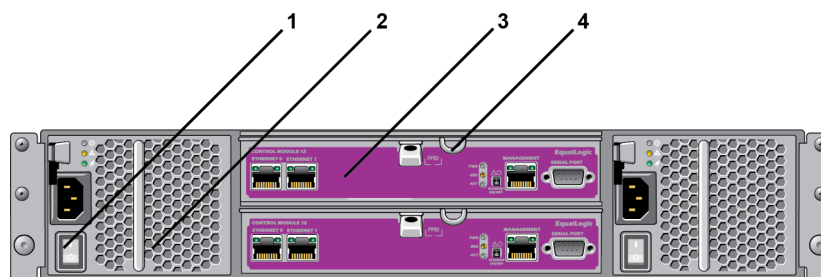
Figure 5 Back-Panel Features

Table 2 Array Back Panel Features

Item	Feature	Identifier	Description
1	Power switches (one on each power supply)	None	The power switch controls the power supply output to the array.
2	Power supply and cooling fan module	PSU0 (left) PSU1 (right)	700 Watt power supply. For more information, see <i>Power Supply LEDs on page 29</i> .
3	Type 12 Control Module	CM0 (top) CM1 (bottom)	The control module provides: <ul style="list-style-type: none"> • a data path between the array and the applications using the storage • array management functions for your array
4	Control Module Release Lever	None	Enables you to remove the control module from the array.

Shutting Down and Restarting an Array

A PS Series array includes redundant, hot-swappable drives, power supplies, and control modules (in a dual control module array). You can remove a redundant component without affecting operation if a functioning component is available. Otherwise, it is recommended that you cleanly shut down the array and turn off power before removing a component.

Note: When an array is shut down, any volumes with data on the array will be set offline until the array is successfully restarted. This may affect initiators that are connected to the volumes.

1. Do one of the following:
 - Use telnet or SSH to connect to a functioning IP address assigned to a network interface on the array. Do not connect to the group IP address.
 - Use the null modem cable shipped with the array to connect to the serial port on the active control module (ACT LED is green) to a console or a computer running a terminal emulator.

Make sure the serial line characteristics are as follows:

- 9600 baud
 - One STOP bit
 - No parity
 - 8 data bits
 - No flow control
2. Log in to an account with read-write access, such as the `grpadmin` account.

3. Enter the `shutdown` command, as shown next.

```
login: grpadmin
Password:
Welcome to Group Manager
Copyright 2001-2011 Dell, Inc.
group1> shutdown
```

If you are using a serial connection to shut down an array, it is safe to turn off power when the “press any key” message appears. (Pressing any key will restart both control modules.)

If you are using a network connection, the session will be disconnected before the array is fully shut down. Confirm that the ACT LED on each control module is off (not lit) before turning off power to the array.

After performing array maintenance, you can turn on power to the array. When the array restart completes, the member and volumes will be set online.

2 Maintaining Drives

You can replace a failed drive while the array remains running.

About Drive Types

Depending on your configuration, your array supports up to 24 2.5-inch SAS drives or up to 12 3.5-inch SAS drives in internal drive bays.

Drives are connected to a backplane through drive carriers and are hot-swappable.

Drives are supplied in a carrier that is keyed to fit into specific array models, and cannot be installed in other Dell arrays or arrays not from Dell Inc.

Identifying Failed Drives

A drive failure is indicated by:

- LEDs on the drive. See [Interpreting Drive LEDs](#).
- A message on the console, in the event log, or in the Group Manager Alarms panel.
- Indications in the Group Manager Member Disks window or the CLI `member select show disks` command output.

Behind the bezel, arrays have a label showing the drive numbering for that specific array model:

- In arrays with 2.5-inch drives (installed vertically in a row), the drives are numbered 0-23, left to right.
- In arrays with 3.5-inch drives (installed horizontally), the drives are numbered from left to right and top to bottom, starting with 0 on the upper left side.

[Table 3](#) shows the drive order for the 3.5-inch drives.

Table 3 3.5-inch Drive Numbering

0	1	2	3
4	5	6	7
8	9	10	11

Interpreting Drive LEDs

The LEDs on a 3.5-inch drive are shown in [Figure 6](#). The LEDs on a 2.5-inch drive are shown in [Figure 7](#). Drive LED states are described in [Table 4](#).

Figure 6 LEDs on 3.5-inch Drives

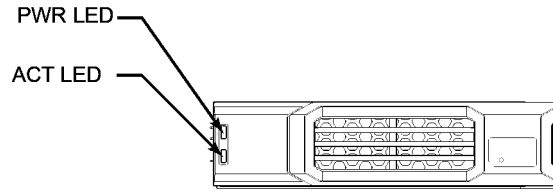


Figure 7 LEDs on 2.5-inch Drives

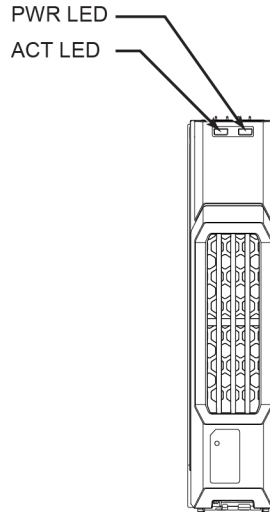


Table 4 Drive LED States

Description	Indicator States
Drive activity indicator (ACT LED)	Blinking green: Drive is busy Steady green: No drive activity
Drive status indicator (PWR LED)	Green: Drive OK Amber: Drive failed Off: No power to drive

Array Behavior When a Drive Fails

How an array handles a drive failure depends on whether a spare drive is available and whether the RAID set containing the failed drive is degraded.

For example:

- If a spare drive is available, the array automatically uses it to replace the failed drive. Performance is normal after reconstruction completes.
- If a spare drive is not available the RAID set will become degraded (except a RAID 6 set). Performance may be impaired. A RAID 6 set can survive two simultaneous drive failures.

- If a spare drive is not available and the failed drive is in a RAID set that is already degraded, data may be lost and must be recovered from a backup.
- If a drive fails, replace it. Do not re-install it in the array.

Drive Handling Requirements

Handle drives as follows:

- **Store drives properly.** Store replacement drives in the packaging in which they were shipped. Do not stack drives or place anything on top of a drive.
- **Protect drives from electrostatic discharge.** Wear an electrostatic wrist strap when handling a drive, unless it is protected from electrostatic discharge. See [Protecting Hardware on page 1](#).
- **Handle drives carefully.** Hold a drive only by the plastic part of the carrier or the handle. Do not drop or jolt a drive or force a drive into a slot.
- **Warm replacement drives to room temperature before installation.** For example, let a drive sit overnight before installing it in an array.
- **Do not leave drive slots empty.** Each drive slot in an array must contain a drive assembly or a blank carrier. Operating an array with an empty slot will void your warranty and support contract.
- **Do not remove a functioning drive (other than a spare) from an array.** If the drive is not a spare, the RAID set may become degraded. If you remove a spare, replace the drive as soon as possible.
- **Do not remove a drive from its carrier.** This action will void your warranty and support contract.
- **Keep the shipping material.** Return a failed drive to your array support provider in the packaging in which the replacement drive was shipped. Shipping drives in unauthorized packaging may void your warranty.

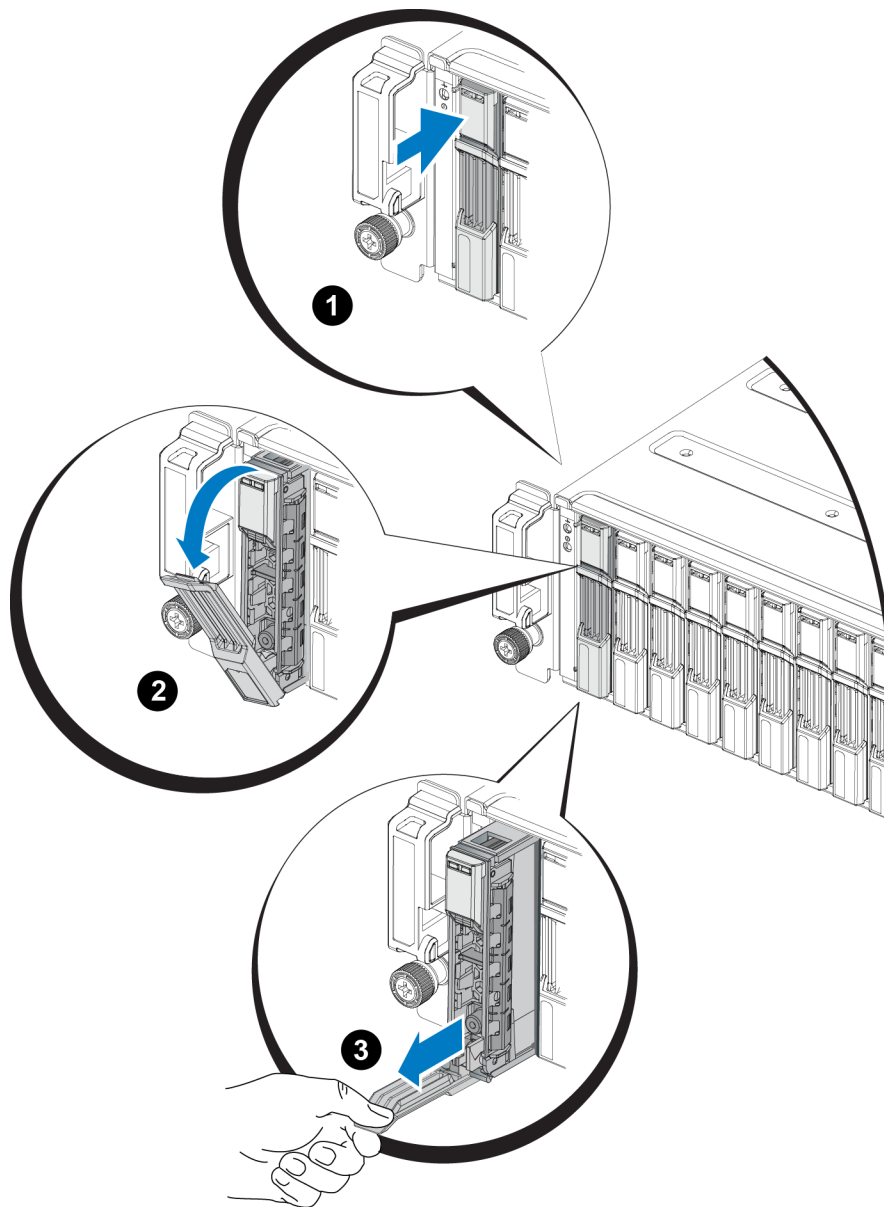
Drive Installation Guidelines and Restrictions

- Replace a failed drive as soon as possible to provide the highest availability.
- Install only drives of the same type, speed, and spin rate in an array.
- Make sure the drive is oriented in the correct position for the array model. See [Front-Panel Features and Indicators on page 3](#).
- You can use drives of different capacities in the same array. However, the smallest drive in the array will determine how much space can be used on each drive. For example, if the smallest drive is 400GB, only 400GB of space will be available for use on each drive.
- Make sure to insert a drive fully in the chassis before pushing in the handle.
- When correctly installed, a drive will be flush with the front of the array. If the drive is protruding from the array, reinstall the drive.
- After installation, make sure the drive power LED is green or flashing green. See [Identifying Failed Drives on page 7](#).

- There is a two-minute delay between the time you insert a drive and the time the drive is automatically configured into a RAID set. This time interval allows multiple drives to be simultaneously configured in an array, which is more efficient than installing a single drive, configuring it, and then repeating the process. For example, when you install a drive, the timer starts. If no other drives are installed, the drive is configured after a delay of two minutes. If you install another drive before two minutes have elapsed, the timer is restarted.
- If you install a drive during RAID reconstruction or verification, the new drive will not be configured until the operation completes.

Removing a 2.5-inch Drive

1. Remove the bezel. See [Removing the Bezel on page 2](#).
2. Press the release button (callout 1 in [Figure 8](#)). The drive latch opens and the drive emerges partway from the array (callout 2).
3. Pull the drive out by the handle until it is free of the drive bay (callout 3).

Figure 8 Removing a 2.5-Inch Drive

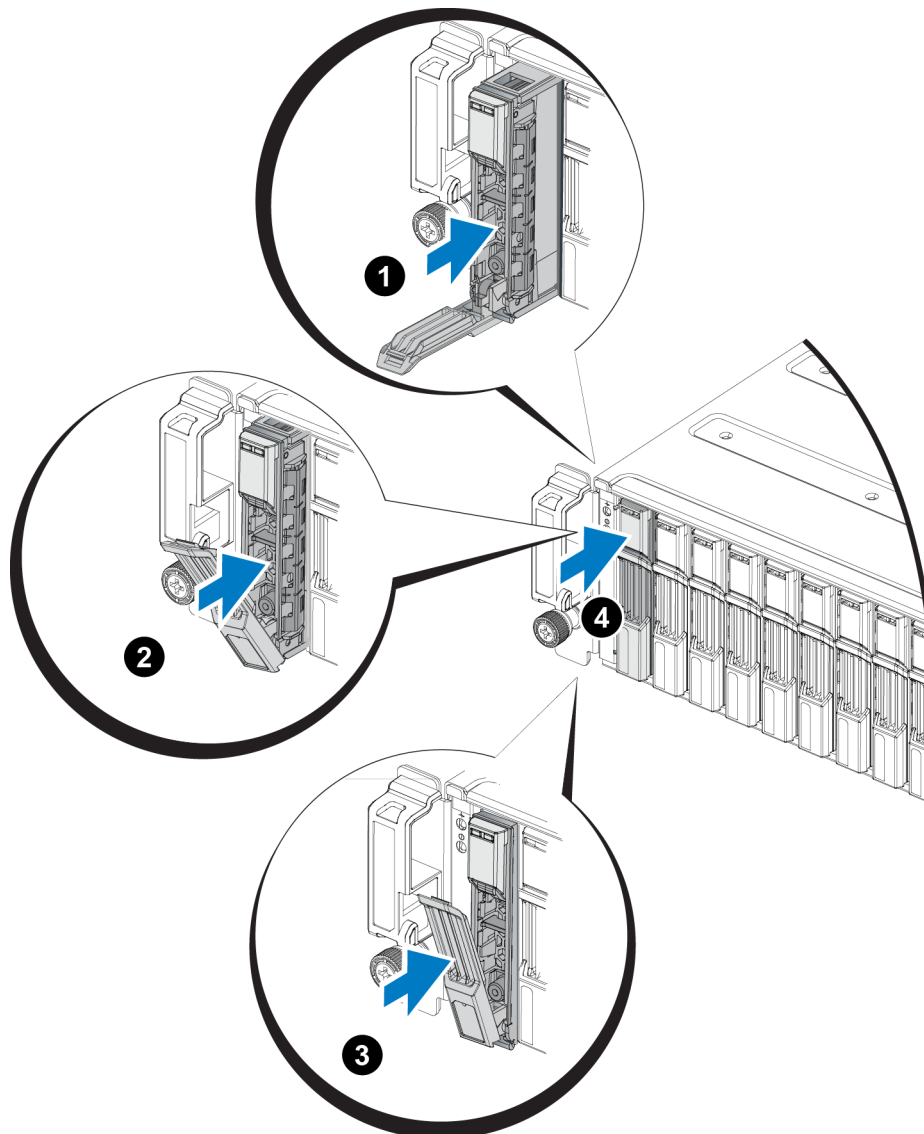
Installing a 2.5-inch Drive

The 2.5-inch drives are installed vertically, with the drive release latch on the top and the drive label on the bottom.

1. Wear electrostatic protection when handling a drive. See [Protecting Hardware on page 1](#).
2. Open the drive release latch.
3. Hold the drive by the carrier and slide the drive most of the way into a slot (callout 1 in [Figure 9](#)).

4. Push the drive completely into the slot (callout 2). The drive handle will begin to close onto the drive (callout 3).
5. Push in the handle until you hear a click (callout 4).

Figure 9 Installing a 2.5-inch Drive



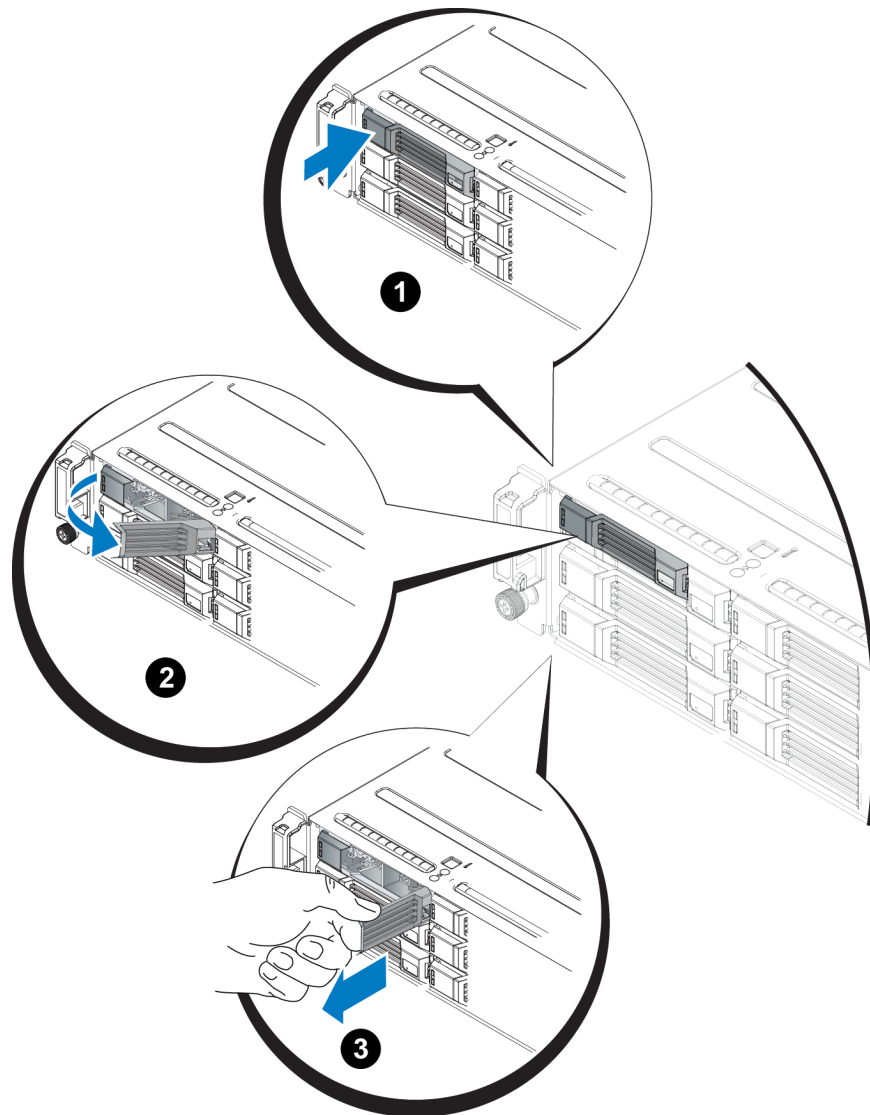
Verify that the new drive is operational by examining the LEDs on the front panel, as described in [Interpreting Drive LEDs on page 7](#). In addition, examine the GUI Member Disks window and the CLI `member select show disks` command output.

Removing a 3.5-inch Drive

1. Remove the bezel. See [Removing the Bezel on page 2](#).

2. Press the release button (callout 1 in *Figure 10*). The drive latch opens and the drive emerges partway from the array (callout 2).
3. Pull the drive out by the handle until it is free of the drive bay (callout 3).

Figure 10 Removing a 3.5-Inch Drive



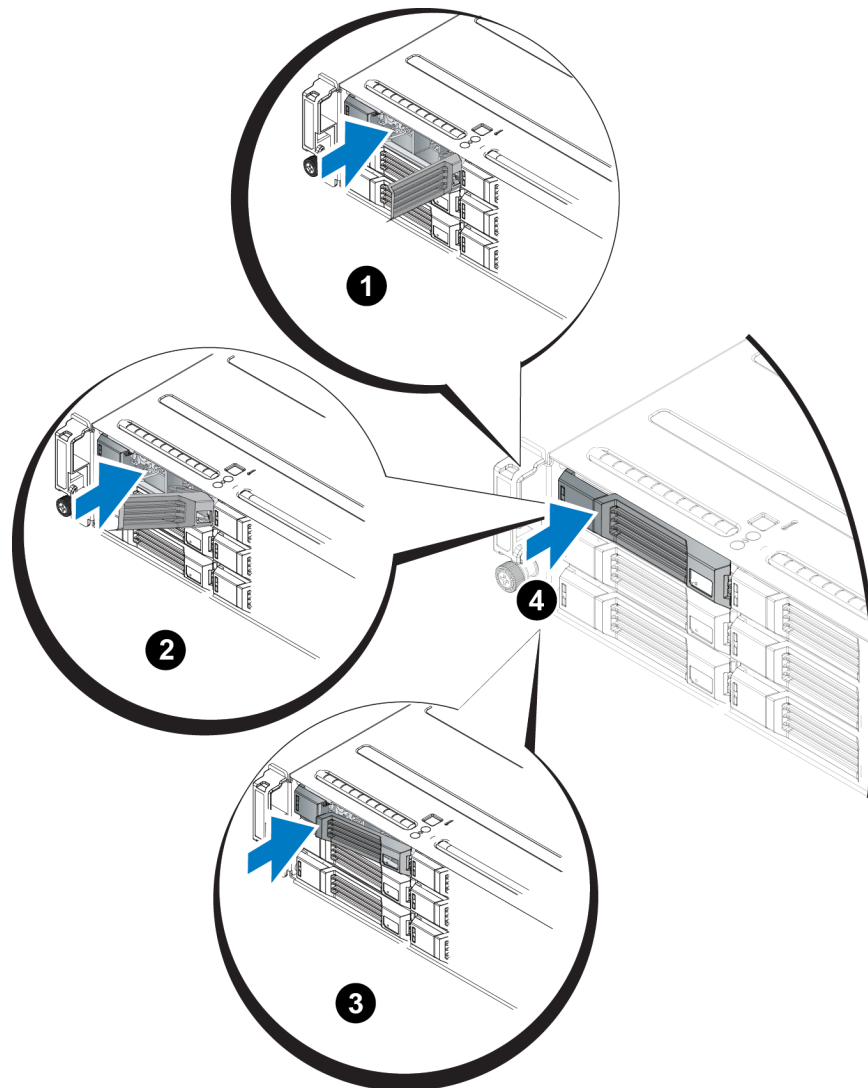
Installing a 3.5-inch Drive

The 3.5-inch drives are installed horizontally, with the drive release latch to the left and the drive label to the right.

1. Wear electrostatic protection when handling a drive. See *Protecting Hardware on page 1*.
2. Open the drive release latch.
3. Hold the drive by the carrier and slide the drive most of the way into a slot (callout 1 in *Figure 11*).

4. Push the drive completely into the slot (callout 2). The drive handle will begin to close onto the drive (callout 3).
5. Push in the handle until you hear a click (callout 4).

Figure 11 Installing a 3.5-inch Drive



Verify that the new drive is operational by examining the LEDs on the front panel, as described in [Interpreting Drive LEDs on page 7](#). In addition, examine the GUI Member Disks window and the CLI `member select show disks` command output.

Installing a Drive Blank

1. Remove the bezel. See [Removing the Bezel on page 2](#).
2. Insert the drive blank into the drive bay until the blank is fully seated.
3. Attach the bezel.

Removing a Drive Blank

Warning: To maintain proper system cooling, all empty drive bays must have drive blanks installed.

1. Remove the bezel. See [Removing the Bezel on page 2](#).
2. Press the release tab and slide the drive blank out until it is free of the drive bay. See [Figure 12](#) or [Figure 13](#).

Figure 12 Removing and Installing a 3.5-Inch Hard-Drive Blank

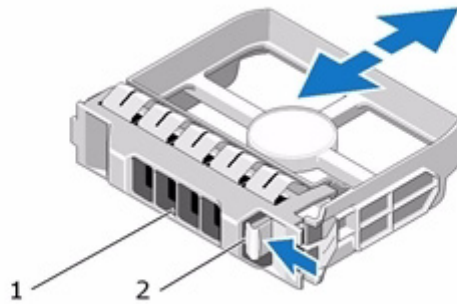
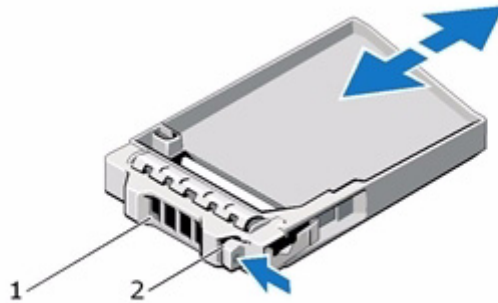


Figure 13 Removing and Installing a 2.5-Inch Hard-Drive Blank



Item	Description
1	Drive blank
2	Release tab

3 Maintaining Control Modules

Different PS Series array models contain different control module types. The combination of chassis type, control module pair, and drives determines the PS Series array model number.

The control modules in a PS Series array contain the PS Series firmware which provides the Group Manager GUI, the Command Line Reference, and all the array and storage management functions and features.

Ideally, an array has two control modules (which must be of the same type) to avoid a single point of failure for the array. A PS4100 array includes one or two hot-swappable Type 12 control modules.

One functioning control module is required for array operation. You access control modules from the rear of the array.

Control Module Features

The Type 12 control module includes:

- Two 1G Ethernet ports, labeled Ethernet 0 and Ethernet 1 (each Ethernet port has two LEDs indicating status and activity).
- One 10Mb/100Mbps port, labeled MANAGEMENT (for use only if you configure a management network). The management port has two LEDs to indicate status and activity.
- A column of LEDs labeled PWR (power), ERR (error condition) and ACT (activity) that indicate the status of the control module.
- A recessed button labeled STANDBY ON/OFF that allows you to quickly shut down the array in certain circumstances (see [About the Standby On/Off Button on page 21](#) for more information).
- One serial port (for use if there is no network access to the array).
- A field-replaceable microSD card containing the PS Series firmware.
- A release button and latch to release the control module from the array for replacement. The release lever has a switch that detects activation and prompts the array to save data to non-volatile storage, thereby protecting your data.

Do *not* mix control module types in an array. Always make sure both control modules are the same type and color. See the latest PS Series *Release Notes* for information about other supported control modules.

About Control Module Configurations

While an array can run using only one control module, it is not recommended as this creates a single point of failure. If the control module fails and there is no other to take over, all access to your volumes stops until you replace it.

Only one control module is active (serving network traffic) at one time. The secondary (redundant) control module mirrors cache data from the active control module. If the active control module fails, the secondary will take over network operations.

Single Controller Configuration

A single control module is a single point of failure. If the control module fails, the entire array (and all the volumes on it) becomes unavailable. Dell strongly recommends buying an array with two control modules, or installing a second control module in a single-controller array.

In an array with a single control module, the module must be in slot CM0.

Caution: For proper array cooling and airflow requirements, there must be a blank filler in the empty control module slot.

Dual Controller Configuration

A dual control module configuration eliminates a single point of failure in the array. If the active control module fails, the secondary control module takes over immediately with no interruption of service. This gives you time to replace the failed control module while your volumes and data remain accessible.

Interpreting Control Module LEDs

Control modules have the following LEDs:

- The Ethernet ports and the Management port each have two green LEDs that indicate the port's status and activity.
- Below the release latch is a column of three LEDs that indicate the status of the entire control module.

Figure 14 Control Module LEDs

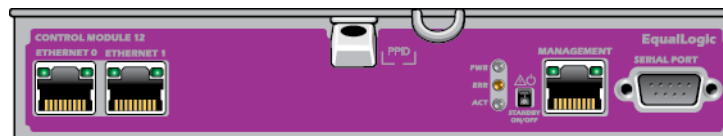


Table 5 Ethernet and Management Port LED Descriptions

LED Location	State	Description
Left	Off	No power or not connected to network.
	On	Connected to network.
Right	Off	No power, not transmitting, or not receiving.
	On	Transmitting or receiving.

Table 6 Control Module Status LED Descriptions

LED Name	State	Description
PWR	Off	No power.
	On (steady green)	Power/OK.
ACT	Off	No power, secondary control module is not synchronized with active control module, or error condition.
	Steady green	Active control module (serving network I/O).
	Steady amber	Secondary control module. Cache is synchronized with active control module.
ERR	Off	Normal operation or no power.
	Steady red	Array is starting up or error condition.
	Blinking red	Array is entering power standby mode because the Standby On/Off button was pressed.

Identifying Control Module Failures

You can identify a failure in a control module by:

- **LEDs** on the control module itself. See [Interpreting Control Module LEDs on page 18](#).
- **Messages** on the console, in the event log, or in the Group Manager GUI Alarms panel.
- **Group Manager GUI and CLI output.** The Member Controllers window or the `member select show controllers` command output shows the control module status `not installed`.

When viewed from the rear of the array, CM0 is on the top, and CM1 is on the bottom. See [Front-Panel Features and Indicators on page 3](#). If a control module fails, contact your PS Series support provider for a replacement.

Understanding Failover Behavior

In a dual control module array, only one control module is active (serving network traffic) at one time. Each control module includes a cache-to-flash module for storing recently-used data.

For redundancy, the cache on the secondary control module mirrors the data that is stored in the cache on the active control module.

The active control module can use network interfaces on the secondary control module if there is a cable connected from the corresponding port on the secondary control module to a network switch. Therefore, you should connect cables to all the network interface ports on each control module to make sure that both control modules can access an interface.

Note: The management ports on the control modules do not fail over if one control module fails. Therefore, if you are using a dedicated management network, make sure the management ports on both control modules are connected to the management network.

A PS series array provides two types of network failure protection:

- **Network connection failover.** If multiple network interfaces are configured and one network interface fails, iSCSI initiators that were connected to the failed interface can reconnect to the group IP address and be redirected to a functioning interface. For example, in a single control module array, if Ethernet 0 and Ethernet 1 are connected to a network, and Ethernet 0 fails, initiators that were connected to Ethernet 0 can be redirected to Ethernet 1.
- **Control module failover.** In a dual control module array, if the active control module fails, the secondary automatically takes over and becomes active. If a cable is connected to the port on the newly active control module, network I/O can continue through that interface. Control module failover is transparent to applications, but iSCSI initiators must reconnect to the group IP address.

Maintaining Control Module Firmware

A Type 12 control module has a microSD card running the array firmware. You should run the latest firmware version to take advantage of new product features and enhancements.

Caution: In a dual control module array, both control modules must be running the same firmware version; otherwise, only one control module will be functional. When you update the array firmware, both control modules are updated to the same firmware version.

Group members should run the same firmware version; otherwise, only the functionality common to all versions will be available in the group. See the PS Series *Release Notes* for information about mixed-firmware groups.

If you are adding a second control module, upgrading a control module, or replacing a failed microSD card, contact your PS Series support provider for a replacement. Inform your provider of the current PS Series firmware version on your system. If you are replacing a failed control module, remove the microSD card from the failed control module and install it in the replacement control module. This will make sure that you keep the correct firmware.

To display the firmware version running on an array, examine the GUI Member Controllers window or use the following CLI command:

```
member select show controllers
```

If the firmware on a microSD card does not match the firmware running on an array, do not install it. Instead, contact your array support provider.

Control Module Handling Requirements

Follow these control module handling requirements:

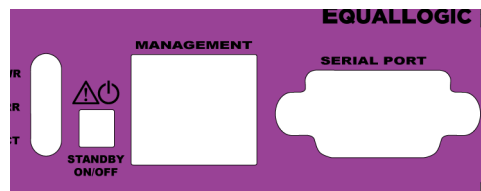
- **Protect control modules from electrostatic discharge.** Always wear an electrostatic wrist strap when handling a control module, as described in [Protecting Hardware on page 1](#).
- **Do not remove a control module from an array while the control modules are synchronizing.** When synchronization completes, a console message will appear. Also, the ACT LED on the secondary control module will be orange.

- **Do not leave a control module slot empty.** In an array with one control module, always attach a blank face plate to the empty control module slot.
- **Store control modules properly.** Store a control module in its original packaging or in an anti-static bag or place the control module on a surface protected from electrostatic discharge.

About the Standby On/Off Button

The Type 12 control module has a small, recessed button labeled Standby ON/OFF (see [Figure 15](#)). The button is recessed to prevent accidental activation.

Figure 15 Standby Button Location



Enabling the Standby Feature

To use the standby button, a group administrator must enable the feature in the Group Manager GUI or CLI.

Enabling the use of the button applies group-wide; that is, it allows you to press the button to shut down any member (array) that has the button (currently, PS4100 and PS6100 array models only). You do not need to enable use of the button on each member separately.

Note: Only a user with group administrator privileges can enable the standby feature on the group. However, anyone can press the button, and the group cannot determine who put the array into standby on/off mode. Therefore, group administrators should consider their environment's security concerns before enabling this feature.

Using the Standby Button

After the feature is enabled group-wide, you can use the Standby On/Off button on either control module of any applicable member to shut down the array quickly without using the Group Manager GUI or CLI.

You must press in and hold the Standby On/Off button for at least two (2) seconds to shut down the member to the standby state.

(To fully shut down the array, turn off the switches on the power supply and cooling modules.)

To turn the member back on, press and hold the Standby On/Off button again (if the power supply switches are turned on).

Important Considerations

Use this button only in when you must shut down a member fast, in situations where you do not have access to the Group Manager GUI or CLI.

Caution: In standby mode, any volumes that use space on that member or that are bound to that member become unavailable!

All operations on the member are suspended, there is no I/O activity to or from the member, and the member's firmware is not running.

Use the Standby On/Off button only when you need to quickly shut down an array and you may not have access to the GUI or CLI; for example, if you discover a problem in your lab environment, such as high temperature or a water leak that may damage the array, that requires you to shut down the array as soon as possible.

Caution: Do not shut down the array (with the standby on/off button or by any other method) before replacing a failed control module! If the member is shut down and a control module is removed, the array automatically returns to full-power mode.

Using the Standby On/Off button on one member does not affect any other group members. You must press the button on each member that has it. Group members that do not have the button remain online; to shut them down, you must use the GUI or CLI.

Replacing a Control Module

If a control module fails, remove it and replace it with a functioning control module. Do not remove a failed control module until you are ready to replace it. You may need to temporarily remove a control module to replace its microSD card.

Note: For proper cooling, do not leave a control module slot empty. If an array will operate for a long time with only one control module, you must install a blank in the empty slot. You can order a control module blank from your PS Series array service provider.

You can partially or completely remove a control module without shutting down the array if the remaining control module has at least one connected and functioning network interface. However, if you remove the active control module (the LED labeled ACT will be green), there will be a short interruption as failover to the secondary control module occurs.

Otherwise, if possible, cleanly shut down the array before removing the module, as described in [Shutting Down and Restarting an Array on page 5](#).

Caution: Do not remove a control module from an array while the control modules are still synchronizing. A message will appear on the console when synchronization completes. The ACT LED on the secondary control module will be orange when synchronization completes.

Removing a Control Module

Before removing a control module:

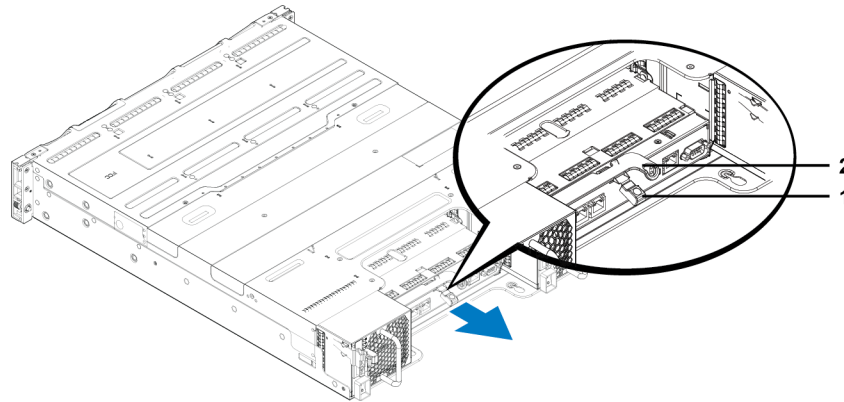
- Attach an electrostatic wrist strap, as described in [Protecting Hardware on page 1](#).
- Disconnect any serial or network cables attached to the control module. Optionally, re-attach the network cables to the other control module to provide uninterrupted data access.

To remove a control module:

1. Push down on the orange release button. See [Figure 16](#).

2. Holding the orange button down, swing the black release latch towards you. This starts to eject the control module from the array.

Figure 16 Removing a Control Module



3. Place the control module on a flat surface where it will be protected from electrostatic charge. To avoid damage, do not place anything on top of the control module.
4. If you are replacing a failed control module, remove the microSD card from the failed control module and install it in the replacement control module. This will make sure that the new control module is running the correct firmware. See [Replacing the MicroSD Card on page 24](#).

Caution: Do not operate an array with an empty control module slot.

Return the failed control module in the packaging in which the replacement module was shipped. Contact your PS Series support provider for information about returning hardware.

Installing a Control Module

You can install a control module without shutting down the array.

Caution: Do not mix control module types in an array.

Control modules are installed horizontally in the array, with the Ethernet ports on the left and the serial port on the right. See [Figure 17](#).

Figure 17 Correct Control Module Orientation



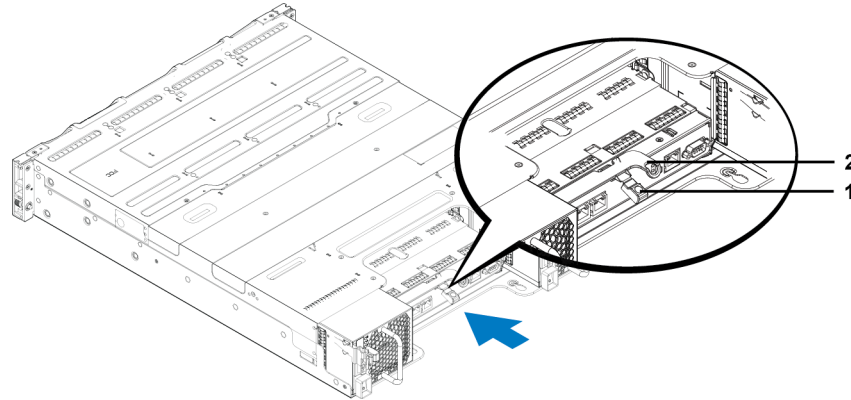
Facing the rear of the array, the upper control module is CM0 and the lower control module is CM1.

To install a control module:

1. Attach an electrostatic wrist strap or a similar protective device. See [Protecting Hardware on page 1](#).

2. Push down on the orange release tab and swing the black lever out.
3. Slide the control module into the chassis until you feel resistance.

Figure 18 Installing a Control Module



4. Rotate the black lever inward, which pushes the control module completely into the slot. The latch on the lever will snap into place.
5. Reconnect the network cables.
6. If the array was shut down, turn on power to the array.
7. Make sure the control module is operational. See [Interpreting Control Module LEDs on page 18](#).

When connected, the control module cache-to-flash module receives full charge. If it cannot be charged, its status is reported as BAD in the Group Manager GUI. You must remove the control module and replace it with another one.

If two control modules are installed but only one is shown in the GUI or CLI, the control module may not be properly installed. Reinstall the control module. If both control modules still are not shown in the GUI or CLI, they may not be running the same firmware. Contact your array support provider.

Replacing the MicroSD Card

Each control module includes a microSD card that contains the PS Series firmware.

If a control module fails, remove the microSD card from the failed control module and install the card in the replacement control module. This will make sure that the new control module is running the same firmware as the other control module in the array.

You can remove a control module without shutting down the array if the remaining control module has at least one connected and functioning network interface. If you remove the active control module (the LED labeled ACT will be green), there will be a short interruption as failover to the secondary control module occurs.

When you remove the control module, place it on a surface that is protected from electrostatic discharge.

Before replacing a microSD card:

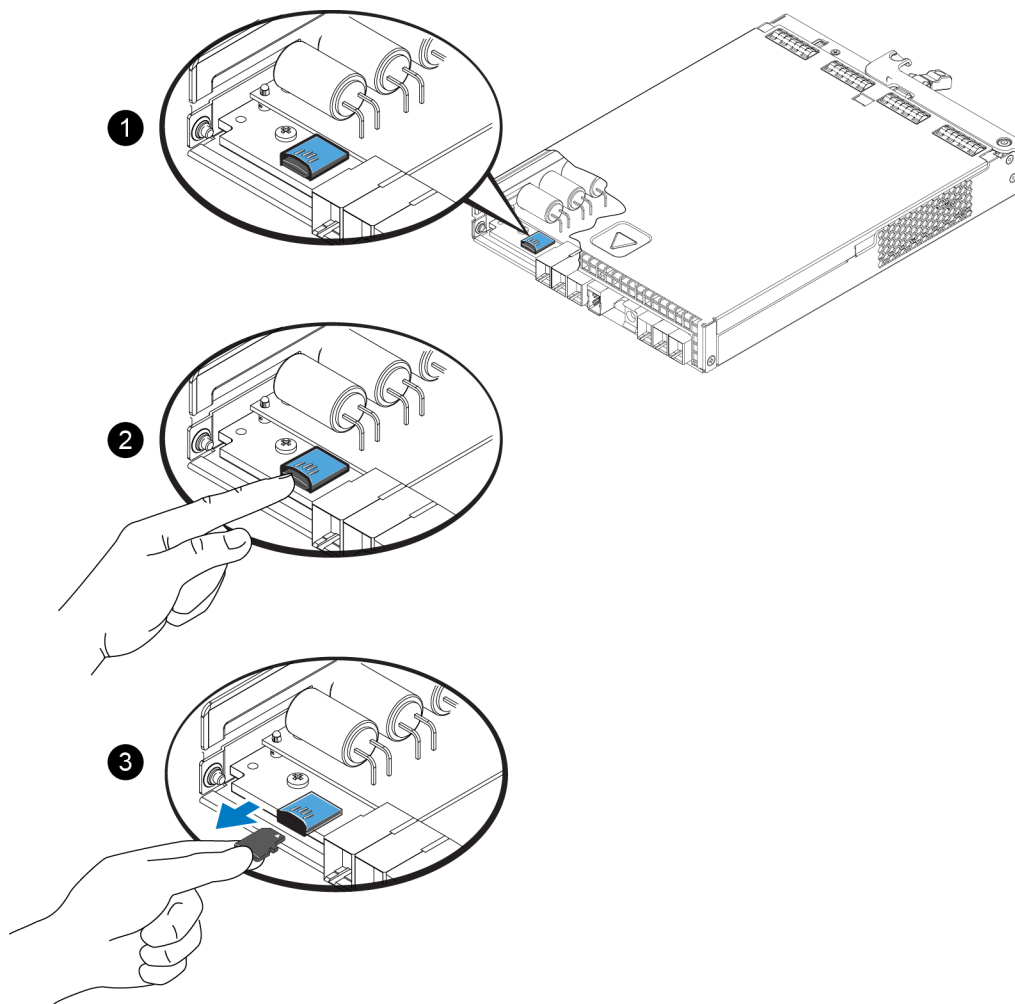
- Attach an electrostatic wrist strap, as described in [Protecting Hardware on page 1](#).
- See [Replacing a Control Module on page 22](#) for instructions on removing a control module.

Removing the microSD Card

Caution: To reduce the risk of losing or damaging the microSD card, do not remove it until you are ready to install it in the replacement control module.

1. Firmly push the card into its housing to release the spring mechanism ([Figure 19](#)). The microSD card will be partially ejected from the housing.

Figure 19 Ejecting the microSD Card

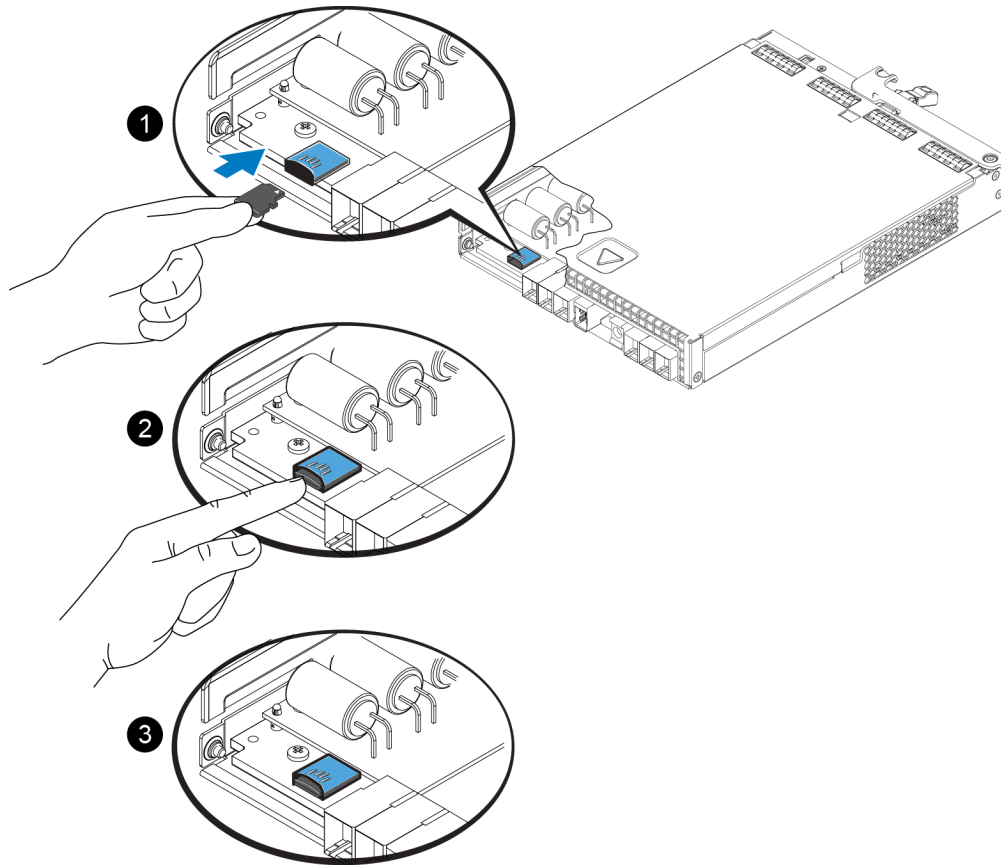


2. Gently pull the card straight out of the housing.
3. Place the microSD card on a flat surface where it will be protected from electrostatic charge.

Inserting the microSD Card

1. Align the replacement microSD card so the arrow on the card points towards the housing (*Figure 20*).
2. Firmly press the card into the housing until it clicks into place. Make sure you cannot pull it out.

Figure 20 Inserting the microSD Card



3. Install the control module in the array. See *Installing a Control Module on page 23*.
4. Make sure the control module is operational. See *Interpreting Control Module LEDs on page 18*.

Advanced Networking Options

In addition to connecting all the Ethernet ports on both control modules to network switches, you can also optionally connect the Management port to a separate network switch.

Configuring a management port enables you to separate management traffic (creating and managing the group, members, volumes, replication, and so on) from the iSCSI data traffic (I/O between applications and volumes, and between replication partners).

Configuring the Management Port

Configuring the 10/100Mbps management port involves hardware steps and software steps. The management port is restricted to group management traffic only; it will not carry iSCSI I/O.

Note: This is considered an advanced configuration, available if your environment requires this level of security.

Hardware Steps

1. Make sure your network environment can support a dedicated management network, with a subnet that is separate from the subnets for iSCSI traffic.
2. On both control modules, connect the port labeled MANAGEMENT to the management network.

Software Steps

See the *Group Administration* guide for the procedure to configure the management network in the Group Manager GUI.

4 Maintaining Power Supply and Cooling Modules

The array can support two hot-swappable power supply and cooling modules. The array can operate only temporarily with one module, but both modules must be present for long-term cooling of the array.

About AC Power Supplies

The PS Series array receives A/C power from two power supply and cooling modules (PSUs).

The fans that keep the array cool are integrated into the power supply modules and cannot be replaced separately. If a fan fails, you must replace the entire power supply module.

The PS4100 has two 700 Watt PSUs. Each 700W power supply has two cooling fans.

Power Supply LEDs

The power supply and cooling modules have LEDs that indicate their status.

See [Figure 21](#) and [Table 7](#).

Figure 21 700W Power Supply LEDs

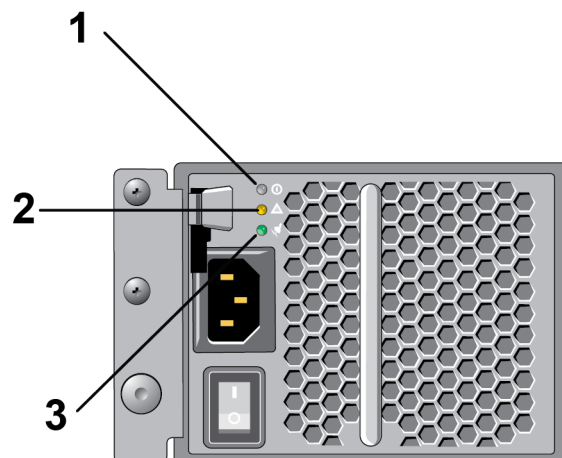


Table 7 Power Supply LED Descriptions

Item	LED	Color	State
1	DC power	Green	<p>ON—Normal operation. Power supply is connected to AC power and the power switch is on. The power supply module is supplying DC power to the array.</p> <p>OFF when any of these is true:</p> <ul style="list-style-type: none"> • The power switch is off • The power supply is not connected to AC power • There is a fault condition <p>For a list of warning or critical level faults, see the <i>Group Administration</i> manual.</p>
2	Fault	Amber	<p>On—Fault detected.</p> <p>OFF—OK.</p> <p>Blinks briefly when power is first turned on to the power supply module.</p> <p>For a list of warning or critical level faults, see the <i>Group Administration</i> manual.</p>
3	AC power	Green	<p>ON—Power supply module is connected to a source of AC power whether or not the power switch is on.</p> <p>OFF—Power supply module is completely disconnected from any source of AC power.</p>

Under normal conditions, the AC and DC power LEDs will be lit at the same time.

Removing a Power Supply and Cooling Module

If a power supply and cooling module fails, you must replace the module as soon as possible, although an array can operate with only one working module. For proper array cooling, do not remove a failed module until you are ready to replace it.

Caution You can remove a power supply and cooling module from an array without affecting array operation if the second module is installed and functioning. **However, to maintain proper air flow in the array, a power and cooling module must be replaced within five (5) minutes of removing it.** Otherwise, if possible, cleanly shut down the array before removing the module, as described in [Shutting Down and Restarting an Array on page 5](#).

Wear electrostatic protection when handling a power supply and cooling module. See [Protecting Hardware on page 1](#).

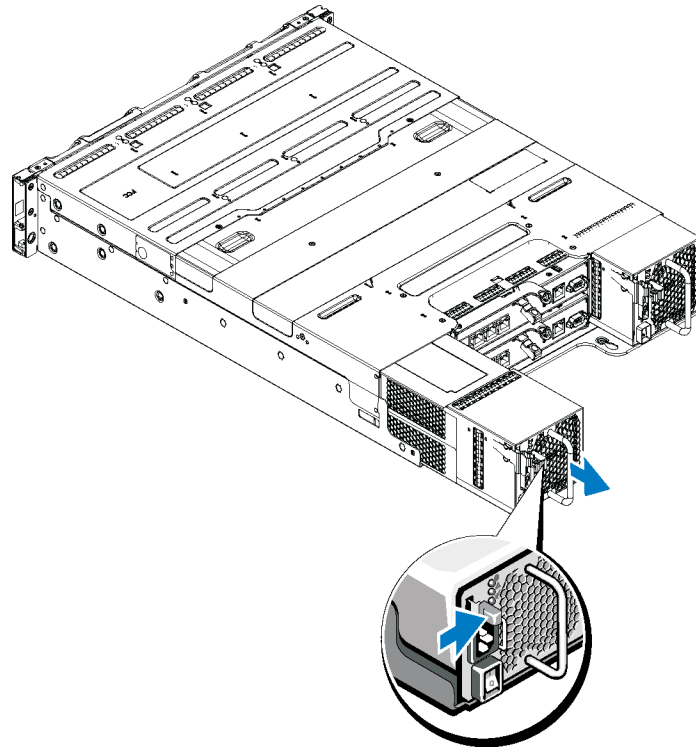
To remove a power supply and cooling module:

1. Turn off the power switches on the power supply and cooling module.
2. Disengage the hook-and-loop fastener from around the power cable.
3. Remove the power cable.
4. With your right hand, hold the handle and push the orange release latch to the right with your thumb.

5. Pull the module from the slot. See [Figure 22](#).

Caution: The module is heavy; support it with two hands.

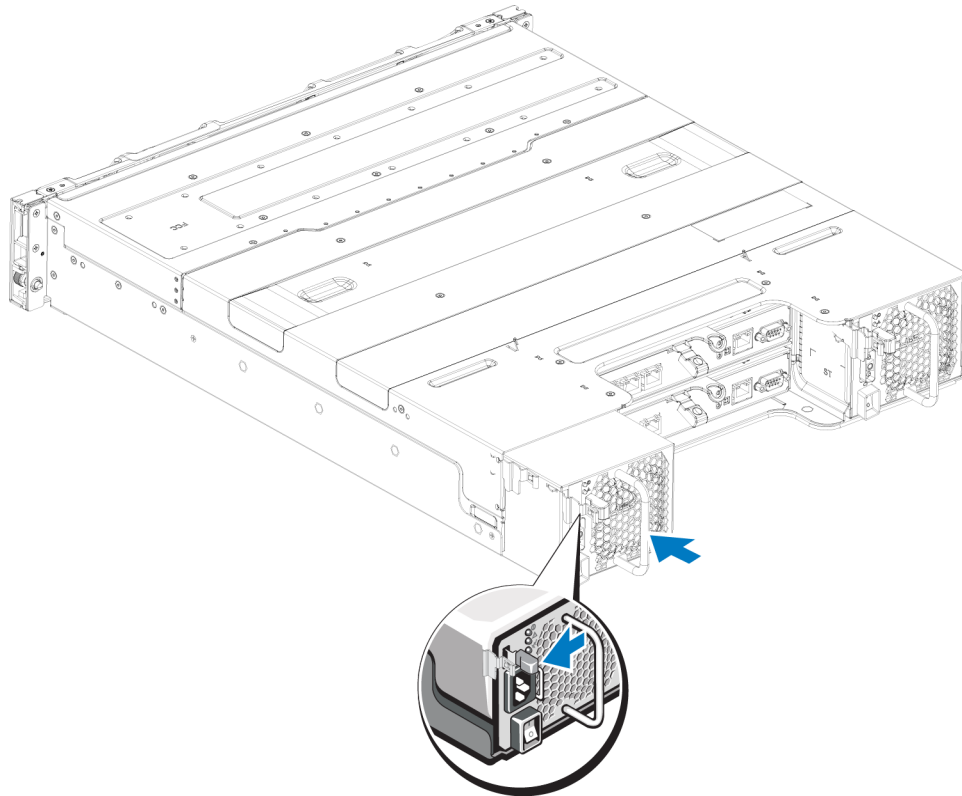
Figure 22 Removing a Power Supply and Cooling Module



Installing a Power Supply and Cooling Module

1. Hold the power supply module so that the orange release latch is on the upper left.
2. Slide the power supply and cooling module into the chassis until it is fully seated and the release latch clicks into place. See [Figure 23](#).

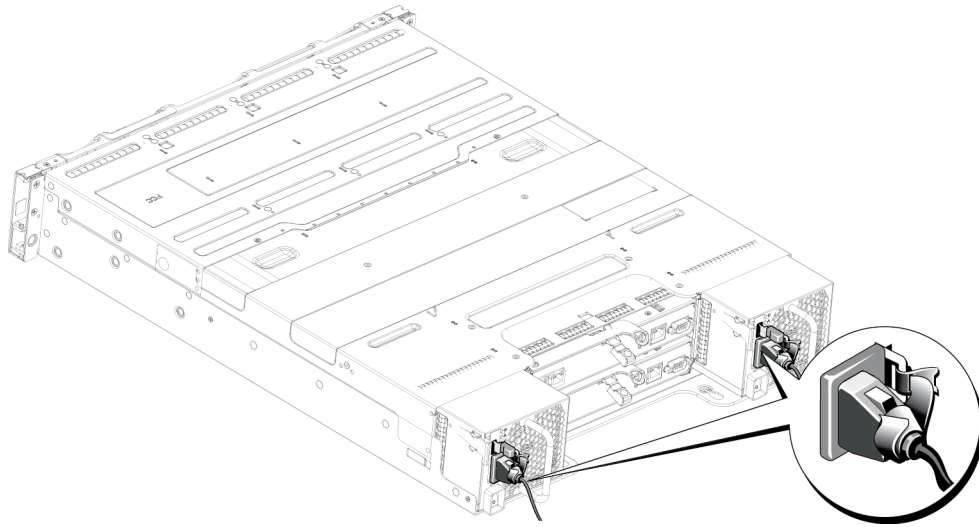
Note: Before the power cable is connected, the fans start spinning, powered by the other power supply module.

Figure 23 Inserting a Power Supply and Cooling Module

3. Make sure the power switch is in the OFF position.
4. Connect the power cable to the power supply and cooling module and plug the cable into a power outlet.

Note: The AC LED lights up when the AC power cable is connected, even if the switches on the power supply are off.

5. Secure the power cable using the hook-and-loop fastener strap. See [Figure 24](#).

Figure 24 : Securing the Power Cable

6. Turn on the switches on the power supply and cooling module.

5 Troubleshooting Your Array

Safety First—For You and Your array

Many repairs may only be done by a certified service technician. You should only perform troubleshooting and simple repairs as authorized in your product documentation, or as directed by the online or telephone service and support team. Damage due to servicing that is not authorized by Dell is not covered by your warranty. Read and follow the safety instructions that came with the product.

Obtaining Technical Support and Customer Service

Dell's support service is available to answer your questions about PS Series SAN arrays. If you have an Express Service Code, have it ready when you call. The code helps Dell's automated-support telephone system direct your call more efficiently.

Contacting Dell

Dell provides several online and telephone-based support and service options. Availability varies by country and product, and some services might not be available in your area.

For customers in the United States, call 800-945-3355.

Note: If you do not have access to an Internet connection, contact information is printed on your invoice, packing slip, bill, or Dell product catalog.

Use the following procedure to contact Dell for sales, technical support, or customer service issues:

1. Visit support.dell.com.
2. Verify your country or region in the Choose A Country/Region drop-down menu at the bottom of the window.
3. Click **Contact Us** on the left side of the window.
4. Select the appropriate service or support link based on your need.
5. Choose the method of contacting Dell that is convenient for you.

Determining Service Tag Information

Each array has a service tag with a number. You may need to provide this information to customer support when you contact us. The service tag label is visible on the front of the PS4100, on the right bezel latch block.

Obtaining Component Diagnostics

You can collect diagnostic information for one or more members of a PS Series group through the Group Manager GUI or the CLI. See the *Group Administration* guide or the *CLI Reference* for more information.

Troubleshooting Array Startup Failure

If your system halts during startup, check if:

- The array fault LEDs are lit. See [Front-Panel Features and Indicators on page 3](#).
- There is a constant scraping or grinding sound when you access the hard drive. See [Obtaining Technical Support and Customer Service on page 35](#).

Troubleshooting Loss of Communication

For information about troubleshooting loss of communication, see *Network Requirements and Recommendations* in the *Installation Guide* for your array.

Troubleshooting Array Connections

1. Verify that the control module port link status LED and the control module status LED are solid green for each port that is connected to a cable. If the LEDs are not solid green, see [Control Module Features on page 17](#).
2. Make sure that all the cables are attached correctly.

If the problem is not resolved, see [Obtaining Technical Support and Customer Service on page 35](#).

Troubleshooting External Connections

- Verify that the cables are connected to the correct Ethernet and, if applicable, Management ports before troubleshooting any external devices. For the location of the back-panel connectors on your array, see [Back-Panel Features and Indicators on page 4](#).
- Make sure that the power cables are securely attached to the power supply modules on your array.

Troubleshooting Power Supply and Cooling Modules

1. Locate the faulty power supply and determine the status of the LEDs.

If the AC power LED is not lit, check the power cord and power source into which the power supply is plugged.

- Connect another device to the power source to verify if it is working.
- Connect the cable to a different power source.

- Replace the power cable.

If the problem is not resolved, or if the power supply's fault indicator is lit, see [Obtaining Technical Support and Customer Service on page 35](#).

Power supply and cooling modules are hot-swappable. The array can operate on a single power supply; however both modules must be installed to ensure proper cooling. A single power supply and cooling module can be removed from a powered-on array for a maximum of five minutes. Beyond that time, the array may automatically shut down to prevent damage.

2. Reseat the power supply by removing and reinstalling it. See [Removing a Power Supply and Cooling Module on page 30](#).

Note: After installing a power supply, allow several seconds for the array to recognize the power supply and to determine if it is working properly.

If the problem is not resolved, see [Obtaining Technical Support and Customer Service on page 35](#).

Troubleshooting Array Cooling Problems

Check for and correct any of the following situations:

- Empty drive bays (no drive or drive blank).
- Ambient temperature is too high. See the Technical Specifications for the array in the *Installation and Setup Guide*.
- External airflow is obstructed.
- The power supply and cooling module is removed or has failed. See [Troubleshooting Power Supply and Cooling Modules on page 36](#).

If the problem is not resolved, see [Obtaining Technical Support and Customer Service on page 35](#).

Troubleshooting Control Modules

1. Remove the control module and verify that the pins on the backplane and control module are not bent. See [Replacing a Control Module on page 22](#).
2. Reinstall the control module and wait for 30 seconds. See [Replacing a Control Module on page 22](#).
3. Check the control module status LEDs. See [Interpreting Control Module LEDs on page 18](#) for more information.
4. If control module status LED is blinking amber (5 times per sequence), update the firmware to the latest supported firmware on both the control module. For more information about downloading the latest firmware, see the PS Series *Release Notes* and the document *Updating PS Series Storage Array Firmware*, available on the customer support site.
5. If the link status LEDs are not green:
 - a. Reseat the cables on the control modules and the switches.

- b. Check the link status LED. If the link status LED is not green, proceed to the next step.
- c. Replace the cables.

If the problem is not resolved, see [Obtaining Technical Support and Customer Service on page 35](#).

Troubleshooting Hard Drives

Check the hard drive indicators before removing the faulty drive from the array.

1. Remove the drive from the array. See [Identifying Failed Drives on page 7](#).
2. Check the drive to make sure that the connectors are not damaged.
3. Reinstall the drive.
4. Verify that the control module port link status LED and the control module status LED are solid green for each port that is connected to a cable. If the LEDs are not solid green, see [Interpreting Control Module LEDs on page 18](#).

If the problem is not resolved, see [Obtaining Technical Support and Customer Service on page 35](#).

Index

array	
control module restriction	23
control modules	17
cooling	29
fans	29
firmware	20
LEDs	7, 18
power supplies	29
shutdown procedure	5
bezel	
installing	2
removing	2
control modules	
batteries	17
checking proper installation	24
failover behavior	19
failure indications	19
features	17
firmware requirements	20
firmware version	20
handling requirements	20
installing in array	23
LEDs	18
locating	19
removing from array	22
restriction on mixing	23
restrictions	17
supported disk type	23
synchronizing	20, 22
types	23
verifying operational status	24
cooling	
removing	30
disks	
failure behavior	8
failure indications	7
handling requirements	9
LEDs	7
locating	7
protecting	9
verifying operational status ...	12, 14
electrostatic discharge, avoiding	1
electrostatic wrist strap, using	1
failover	
control module	19–20
network connection	20
failure indications	
control modules	19

disks	7	network interfaces	
fans		LEDs	18
removing	30	power indicators	3
firmware		power supplies	
identifying version	20	removing	30
requirements	20	PS Series array	
front panel		protecting from discharge	1
features	3	recommended tools	1
identifying the firmware version	20	removing	
indicators		3.5-inch drive	10, 12
power	3	drive blank	15
installing		requirements	
drive blank	14	control modules	20
front bezel	2	cooling	30
power supply/cooling fan module	31	disks	9
LEDs		firmware	20
control module	18	power	30
disks	7	safety	35
network interfaces	18	shutting down an array	5
microSD card		status	
firmware requirements	20	control modules	19
inserting	26	troubleshooting	35
removing	25	connections	36
replacing	20	cooling problems	37
network		external connections	36
failure protection	20	hard drives	38

loss of communication36
power supply/cooling fan module 36
startup failure36