

Dell™ PowerEdge™ C1100

# Getting Started With Your System

系统使用入门

Memulai Dengan Sistem Anda

はじめに

시스템시작하기





Dell™ PowerEdge™ C1100

# Getting Started With Your System

Regulatory Model CS24-TY



# Notes, Cautions, and Warnings



**NOTE:** A NOTE indicates important information that helps you make better use of your computer.



**CAUTION:** A CAUTION indicates potential damage to hardware or loss of data if instructions are not followed.



**WARNING:** A WARNING indicates a potential for property damage, personal injury, or death.

---

**Information in this document is subject to change without notice.**

**© 2010 Dell Inc. All rights reserved.**

Reproduction of these materials in any manner whatsoever without the written permission of Dell Inc. is strictly forbidden.


Trademarks used in this text: *Dell*, the *DELL* logo, and *PowerEdge*, are trademarks of Dell Inc.; *Citrix* and *XenServer* are trademarks of Citrix Systems, Inc. and/or more of its subsidiaries, and may be registered in the United States Patent and Trademark Office and in other countries; *Intel* and *Xeon* are registered trademarks of Intel Corporation in the U.S. and other countries; *VMware* is a registered trademark of VMware, Inc. in the United States and/or other jurisdictions; *Red Hat* and *Red Hat Enterprise Linux* are registered trademarks of Red Hat, Inc. in the United States and other countries; *SUSE* is a registered trademark of Novell, Inc. in the United States and other countries.

Other trademarks and trade names may be used in this document to refer to either the entities claiming the marks and names or their products. Dell Inc. disclaims any proprietary interest in trademarks and trade names other than its own.

**Regulatory Model CS24-TY**

**February 2010    P/N 8W0C4    Rev. A00**

# Installation and Configuration


 **WARNING:** Before performing the following procedure, review the safety instructions that came with the system.


## Unpacking the System


Unpack your system and identify each item.

## Installing the Tooled Rail Solution

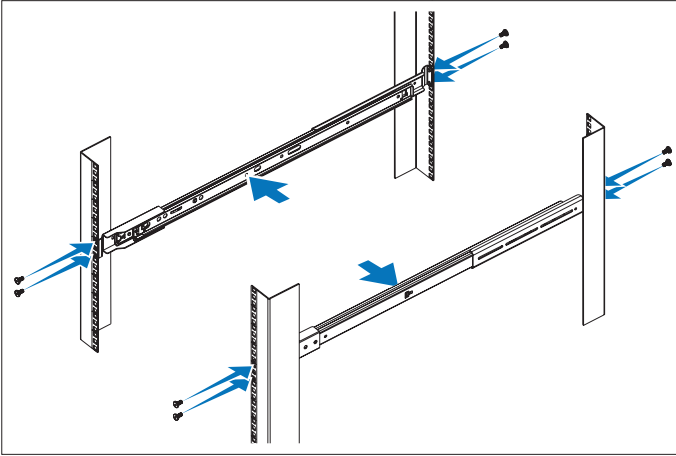
 **WARNING:** Whenever you need to lift the system, get others to assist you. To avoid injury, do not attempt to lift the system by yourself.

 **WARNING:** The system is not fixed to the rack or mounted on the rails. To avoid personal injury or damage to the system, you must adequately support the system rack during installation and removal.

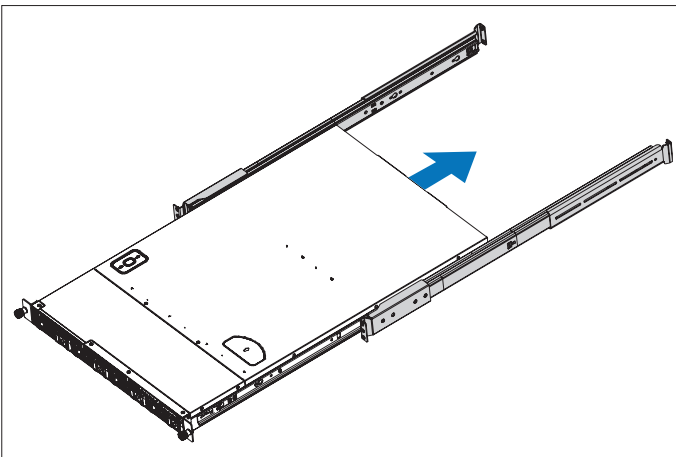
 **CAUTION:** Before installing systems in a rack, install front and side stabilizers on stand-alone (single) racks or the front stabilizer on racks joined to other racks. Failure to install stabilizers accordingly before installing systems in a rack could cause the rack to tip over, potentially resulting in bodily injury under certain circumstances. Therefore, always install the stabilizer(s) before installing components in the rack.

 **CAUTION:** Many repairs may only be done by a certified service technician. You should only perform troubleshooting and simple repairs as authorized in your product documentation, or as directed by the online or telephone service and support team. Damage due to servicing that is not authorized by Dell is not covered by your warranty. Read and follow the safety instructions that came with the product.

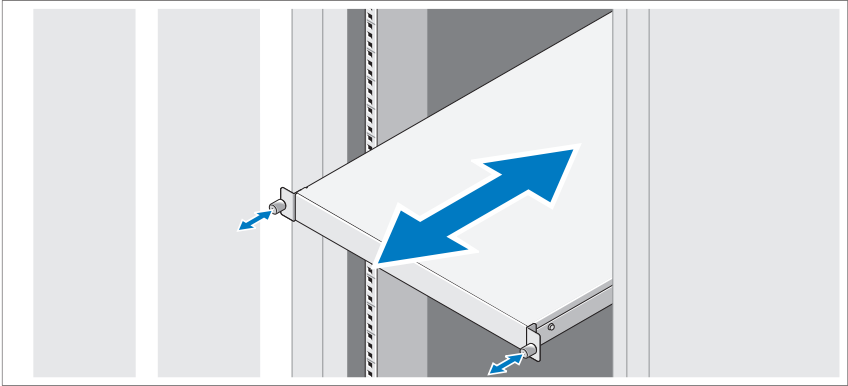
- 1 Install the sliding rails into the rack.



- 2 Align the inner rails with the sliding rails of the rack and push the system into the sliding rails until the locking latch clicks into place.




- 3 Slide the system into the rack and tighten the thumbscrews to secure the ears of system to the front of the rack.

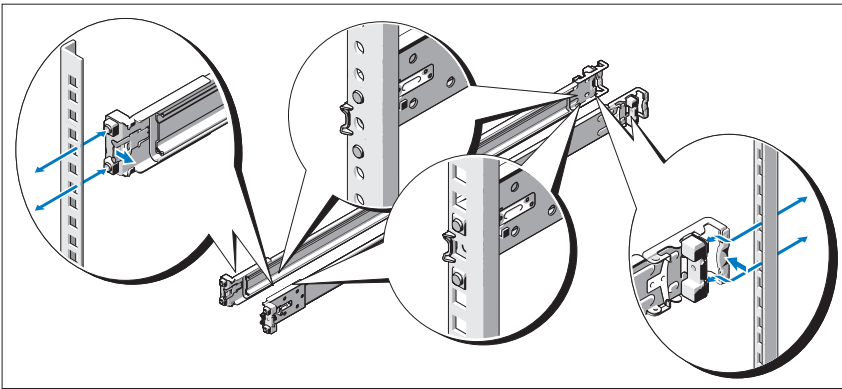


### Installing the Tool-less Rail Solution

- ⚠ WARNING:** Whenever you need to lift the system, get others to assist you. To avoid injury, do not attempt to lift the system by yourself.
- ⚠ WARNING:** The system is not fixed to the rack or mounted on the rails. To avoid personal injury or damage to the system, you must adequately support the system rack during installation and removal.
- ⚠ CAUTION:** Before installing systems in a rack, install front and side stabilizers on stand-alone (single) racks or the front stabilizer on racks joined to other racks. Failure to install stabilizers accordingly before installing systems in a rack could cause the rack to tip over, potentially resulting in bodily injury under certain circumstances. Therefore, always install the stabilizer(s) before installing components in the rack.
- ⚠ CAUTION:** When installing rails in a square-hole rack it is important to ensure that the square peg slides through the square holes.

- 1 Align the end pieces of the rails on the vertical rack flanges to seat the pegs in the bottom hole of the first U and the top hole of the second U, and engage the back end of the rail until the latch locks in place.

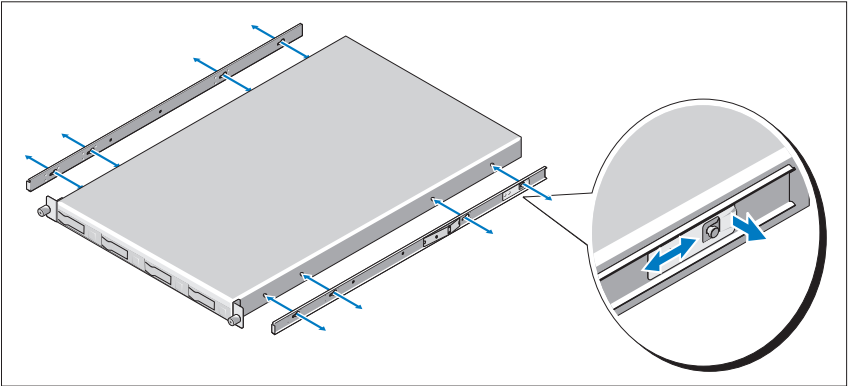
 **NOTE:** The rails can be used in both square- and round-hole racks.



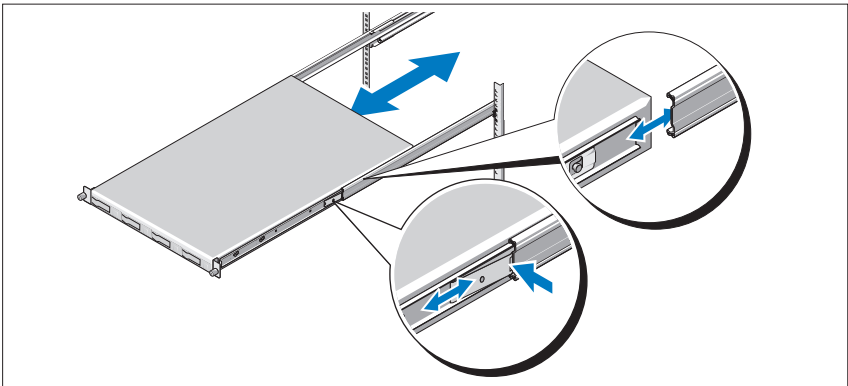
- 2 Repeat these steps to position and seat the front end piece on the vertical flange.
- 3 To remove the rails, pull on the latch release button on the end piece midpoint and unseat each rail.



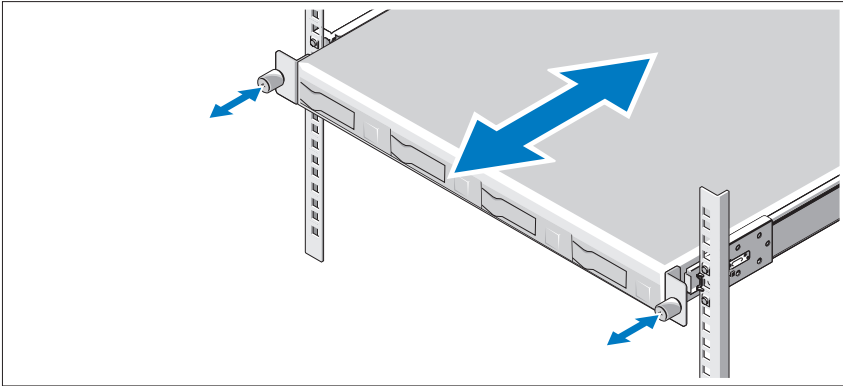
- 4** Align the four keyhole slots on the chassis rails with the corresponding pins on the system and slide the chassis rails towards the back of the system until it locks into place.



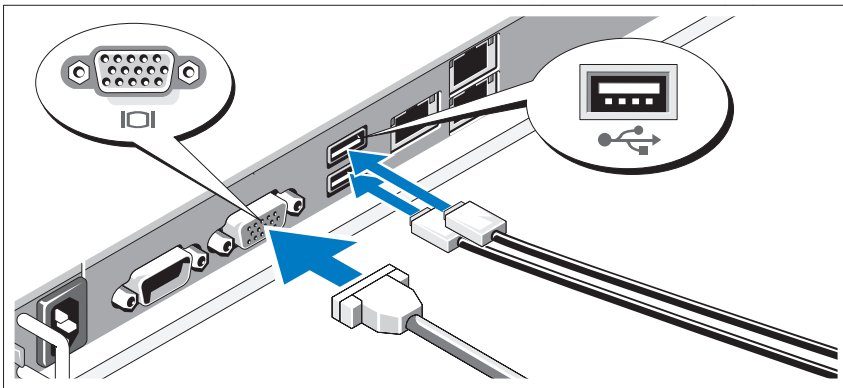
- 5** Align and insert the ends of the chassis rails into the ends of the rails and push the system inward until the chassis rails lock into place.



- 6 Push or pull the blue tab located near the front of the system and slide the system into the rack. Tighten the thumbscrews to secure the ears of system to the front of the rack.



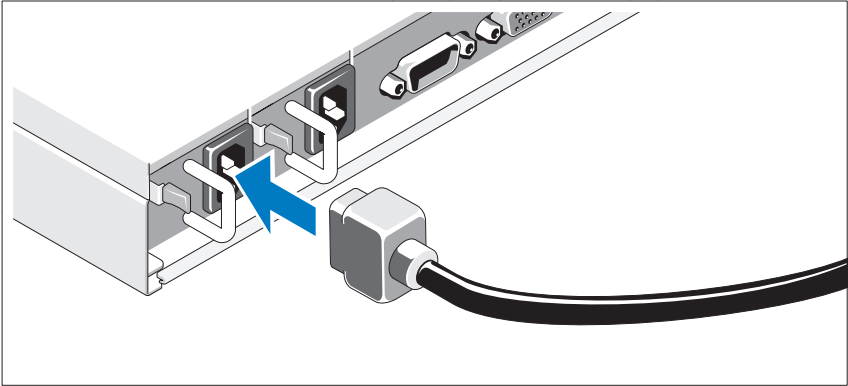
### Optional – Connecting the Keyboard, Mouse, and Monitor



Connect the keyboard, mouse, and monitor (optional).

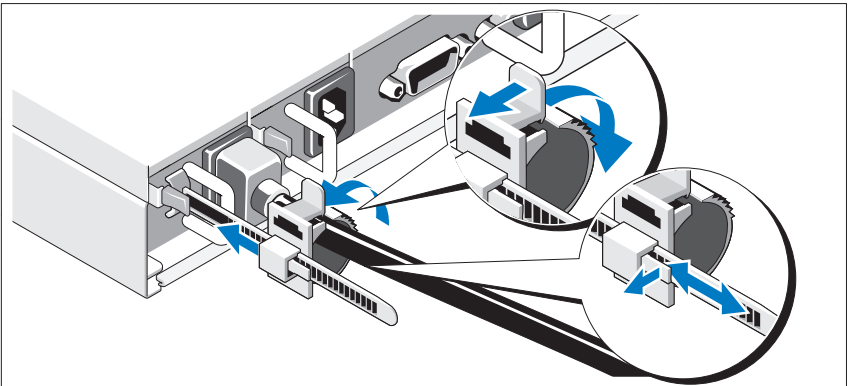
The connectors on the back of your system have icons indicating which cable to plug into each connector. Be sure to tighten the screws (if any) on the monitor's cable connector.

## Connecting the Power Cable(s)



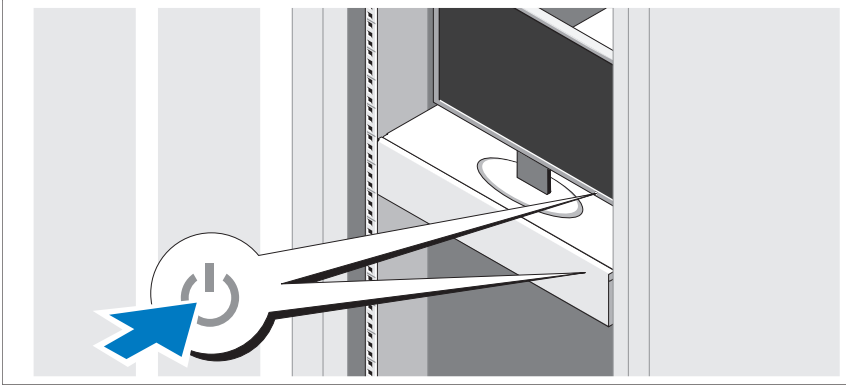
Connect the system's power cable(s) to the system and, if a monitor is used, connect the monitor's power cable to the monitor. Plug the other end of the power cables into a grounded electrical outlet or a separate power source such as an uninterruptible power supply (UPS) or a power distribution unit (PDU).

## Securing the Power Cable(s)



Release the latch on the retainer unit and pull the clamping ring towards the end of the strip. Open the clamping ring and insert the power cable. Close and push back the clamping ring until it is as close as possible to the system. Check to ensure that the power cable is secured to the system.

## Turning On the System



Press the power button on the system and the monitor. The power indicators should light.

## Complete the Operating System Setup

To install an operating system, see the installation and configuration documentation for your operating system. Be sure the operating system is installed before installing hardware or software not purchased with the system.

## Supported Operating Systems

- Red Hat® Enterprise Linux® 5.4 Standard edition (x64)
- Red Hat Enterprise Linux 5.4 Standard edition (x86)
- SUSE® Linux Enterprise Server 11 (x86\_64)
- Citrix® XenServer™ Enterprise edition 5.x
- VMware® ESX Server Version 4.0, Update 1



**NOTE:** For the latest information on supported operating systems, see [support.dell.com](http://support.dell.com).

## Other Information You May Need



**WARNING:** See the safety and regulatory information that shipped with your system. Warranty information may be included within this document or as a separate document.

The *Hardware Owner's Manual* provides information about system features and describes how to troubleshoot the system and install or replace system components. This document is available online at [support.dell.com/manuals](http://support.dell.com/manuals).

The Dell systems management application documentation provides information about installing and using the systems management software. This document is available online at [support.dell.com/manuals](http://support.dell.com/manuals).



**NOTE:** Always check for updates on [support.dell.com/manuals](http://support.dell.com/manuals) and read the updates first because they often supersede information in other documents.

## Información de la NOM (sólo para México)

La información que se proporciona a continuación aparece en el dispositivo descrito en este documento, en cumplimiento de los requisitos de la Norma Oficial Mexicana (NOM):

Importador:	Dell Inc. de México, S.A. de C.V. Paseo de la Reforma 2620 -11º Piso Col. Lomas Altas 11950 México, D.F.
Número de modelo:	CS24-TY
Voltaje de alimentación:	100-127/200-240 V CA
Frecuencia:	50/60 Hz
Consumo eléctrico:	8/4 A

## Technical Specifications

---

### Processor

---

Processor type	One or two Intel® Xeon® 5500 or 5600 series processors (up to six core processors)
----------------	--

---

### Expansion Bus

---

Bus type	PCI Express Generation 2
Expansion slots	
PCIe	One x16 half-length, full height
Mezzanine/Daughter slots	
PCIe	Two x4 custom slots

---

### Memory

---

Architecture	1067 and 1333 MHz DDR-3 registered memory modules with Error Correcting Code (ECC)
Memory module sockets	Eighteen 240-pin DIMMs
Memory module capacities	2 GB, 4 GB, or 8 GB

<b>Memory <i>(continued)</i></b>	
Minimum RAM	12 GB RAM
Maximum RAM	144 GB RAM
<b>Drive</b>	
Hard drives	Up to four 3.5-inch, hot-swappable SAS/SATA hard drives or Up to ten 2.5-inch, hot-swappable SAS/SATA/SSD hard drives
<b>Connectors</b>	
Back	
NIC	Two RJ-45 (for integrated 10/100/1000 Mbps Ethernet)
KVM over IP port	Dedicated Ethernet port for remote management access
Serial	9-pin, DTE, 16550-compatible
USB	Two 4-pin, USB 2.0-compliant
Video	15-pin VGA
Front	
USB (for 3.5-inch chassis only)	Two 4-pin, USB 2.0-compliant
<b>Video</b>	
Video type	AST2050 video controller; VGA connector
Video memory	8 MB

---

**Power**

---

AC power supply (redundant and non-redundant)

Wattage	650 W
Voltage	115–230 VAC, 50/60 Hz, 8/4 A
Heat dissipation	2217.8 BTU/hr maximum
Maximum inrush current	Under typical line conditions and over the entire system ambient operating range, the inrush current may reach 60 A per power supply for 10 ms or less.

Batteries

System battery	CR 2032 3.0-V lithium coin cell
ROMB battery (optional)	3.7 V lithium ion battery pack

---

**Physical**

---

Height	70.6 cm (27.8 in)
Width	43 cm (16.9 in)
Depth	4.3 cm (1.6 in)
Weight (maximum configuration)	18.5 kg (40.7 lb)
Weight (empty)	6.8 kg (14.9 lb)

---

**Environmental**

---

For additional information about environmental measurements for specific system configurations, see [www.dell.com/environmental\\_datasheets](http://www.dell.com/environmental_datasheets).

Temperature

Operating	10° to 35°C (50° to 95°F) with a maximum temperature gradation of 10°C per hour <b>NOTE:</b> For altitudes above 2950 feet, the maximum operating temperature is derated 1°F/550 ft.
Storage	–40° to 65°C (–40° to 149°F) with a maximum temperature gradation of 20°C per hour



---

**Environmental (continued)**

---

## Relative humidity

Operating	8% to 85% (noncondensing) with a maximum humidity gradation of 10% per hour
Storage	5% to 95% (noncondensing)

## Maximum vibration

Operating	0.26 Grms at 5-350 Hz
Storage	1.54 Grms at 10-250 Hz for 15 mins

## Maximum shock

Operating	One shock pulse in the positive z axis (one pulse on each side of the system) of 31 G for 2.6 ms in the operational orientation
Storage	Six consecutively executed shock pulses in the positive and negative x, y, and z axes (one pulse on each side of the system) of 71 G for up to 2 ms  Six consecutively executed shock pulses in the positive and negative x, y, and z axes (one pulse on each side of the system) of 32 G fair squared wave pulse with velocity at 270 inches/second (686 cms/sec).

## Altitude

Operating	-16 to 3,048 m (-50 to 10,000 ft) <b>NOTE: For altitudes above 2950 feet, the maximum operating temperature is derated 1°F/550 ft.</b>
Storage	-16 to 12,000 m (-50 to 35,000 ft)

## Airborne Contaminant Level

Class	G2 or lower as defined by ISA-S71.04-1985
-------	---



Dell™ PowerEdge™ C1100

# 系统使用入门

管制型号 CS24-TY



# 注、小心和警告



**注：**“注”表示可以帮助您更好地使用计算机的重要信息。



**小心：**“小心”表示如果不遵循说明，就有可能损坏硬件或导致数据丢失。



**警告：**“警告”表示可能会造成财产损失、人身伤害甚至死亡。

---

**本说明文件中的信息如有更改，恕不另行通知。**

© 2010 Dell Inc. **版权所有，翻印必究。**

未经 Dell Inc. 书面许可，严禁以任何形式复制这些材料。

本文中使用的商标：*Dell*、*DELL* 徽标和 *PowerEdge* 是 Dell Inc. 的商标；*Citrix* 和 *XenServer* 是 Citrix Systems, Inc. 及 / 或其子公司的商标，并可能已在美国专利商标局及其它国家 / 地区注册；*Intel* 和 *Xeon* 是 Intel Corporation 在美国及其它国家 / 地区的注册商标；*VMware* 是 VMware, Inc. 在美国及 / 或其它辖区的注册商标；*Red Hat* 和 *Red Hat Enterprise Linux* 是 Red Hat, Inc. 在美国及其它国家 / 地区的注册商标；*SUSE* 是 Novell, Inc. 在美国及其它国家 / 地区的注册商标。

本说明文件中述及的其它商标和产品名称是指拥有相应商标和产品名称的公司或其制造的产品。Dell Inc. 对其它公司的商标和产品名称不拥有任何所有权。

管制型号 CS24-TY

2010 年 2 月      P/N 8W0C4      Rev. A00

## 安装和配置


 **警告：** 执行下列步骤之前，请查看系统随附的安全说明。


### 打开系统包装


打开系统包装并确认各个组件。

### 安装需工具拆装导轨解决方案

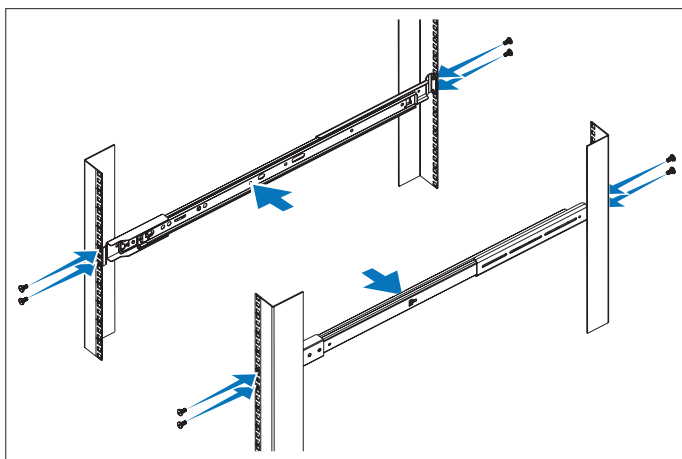
 **警告：** 如需抬高系统时，请让别人帮您。为避免受伤，请勿尝试独自抬高系统。

 **警告：** 系统未固定到机架上或未安装在导轨上。为避免人身伤害或损坏系统，在安装和拆卸过程中必须充分支撑系统机架。

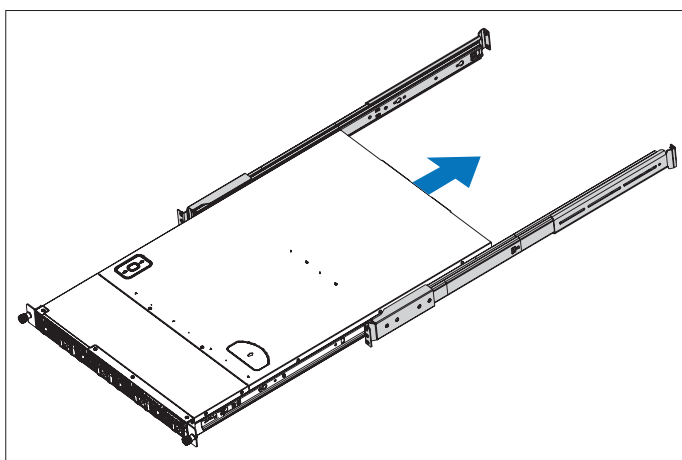
 **小心：** 在机架上安装系统之前，对于独立（单个）机架，请先安装正面和侧面支脚；对于与其它机架合并在一起的机架，请先安装正面支脚。如果在安装系统之前，没有给机架安装相应的支脚，则在某些情况下，机架可能会翻倒，导致人员受伤。因此，在机架上安装组件之前，请务必先安装支脚。

 **小心：** 多数维修只能由经认证的维修技术人员进行。您只能根据产品说明文件中的授权，或者在联机或电话服务和小组的指导下，进行故障排除和简单的维修。未经 Dell 授权的维修所造成的损坏不在保修范围之内。请阅读并遵循产品附带的安全说明。

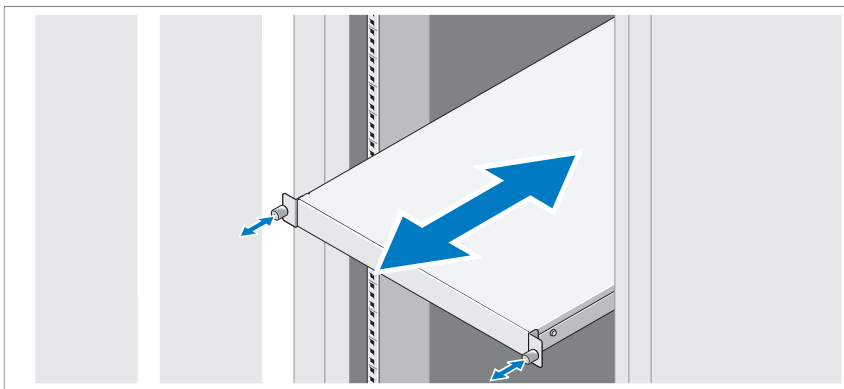
- 1 将滑轨安装到机架上。



- 2 将内导轨与机架上的滑轨对齐，然后将系统推入滑轨，直至锁定门锁卡入到位。




3 将系统滑入机架，拧紧指旋螺钉，使系统吊耳固定到机架前端。

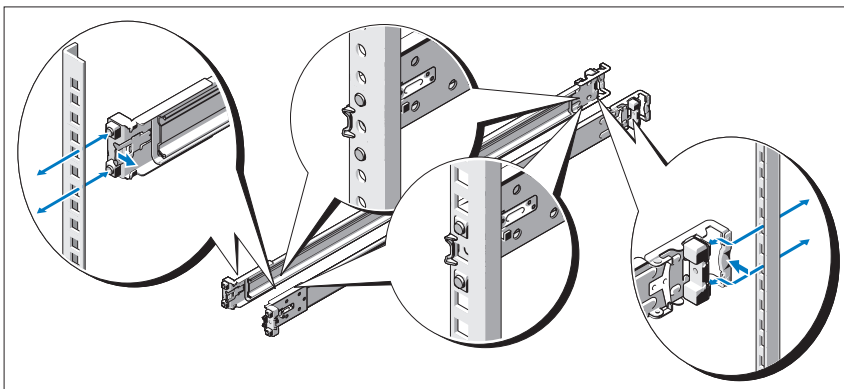


### 安装免工具拆装导轨解决方案

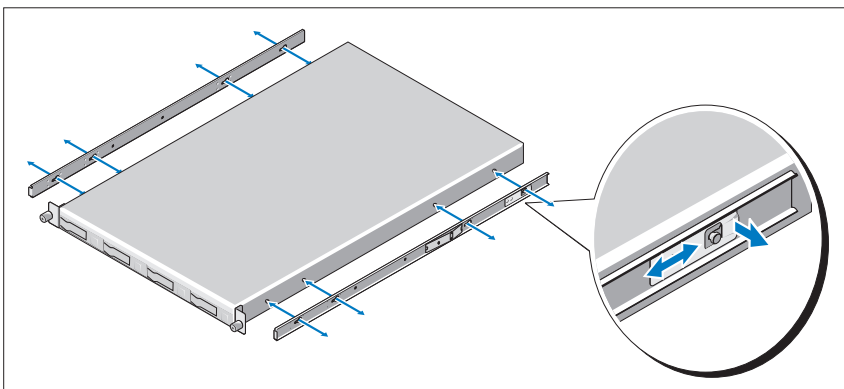
- ⚠ **警告：**如需抬高系统时，请让别人帮您。为避免受伤，请勿尝试独自抬高系统。
- ⚠ **警告：**系统未固定到机架上或未安装在导轨上。为避免人身伤害或损坏系统，在安装和拆卸过程中必须充分支撑系统机架。
- ⚠ **小心：**在机架上安装系统之前，对于独立（单个）机架，请先安装正面和侧面支脚；对于与其它机架合并在一起的机架，请先安装正面支脚。如果在安装系统之前，没有给机架安装相应的支脚，则在某些情况下，机架可能会翻倒，导致人员受伤。因此，在机架上安装组件之前，请务必先安装支脚。
- ⚠ **小心：**在方孔机架中安装导轨时，务必确保方销滑入方孔。

- 1 将垂直机架凸缘与导轨末端对齐，使销插入第一个 U 形底部的孔以及第二个 U 形顶部的孔，使导轨后端咬合，直到闩锁锁到位。

 **注：** 导轨可以用于方孔和圆孔两种机架中。

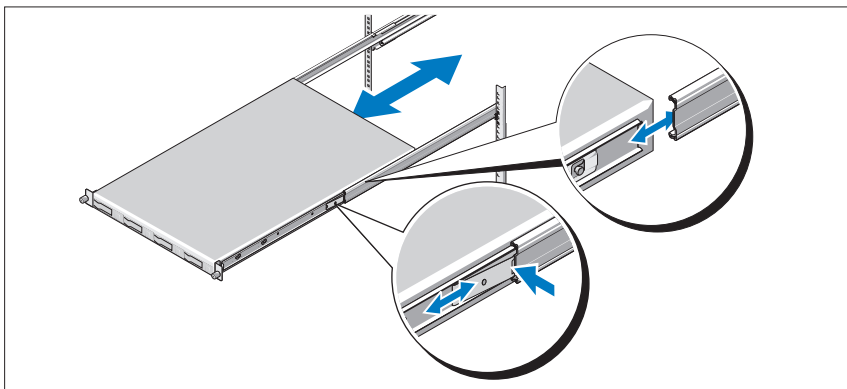


- 2 重复这些步骤，在垂直凸缘上定位和安放前尾段。
- 3 要卸下导轨，请拔起尾段正中央的闩锁释放按钮并取出每个导轨。
- 4 将机箱导轨上的四个锁孔槽对准系统上相应的销，然后将机箱导轨滑向系统背部，直至其锁入到位。

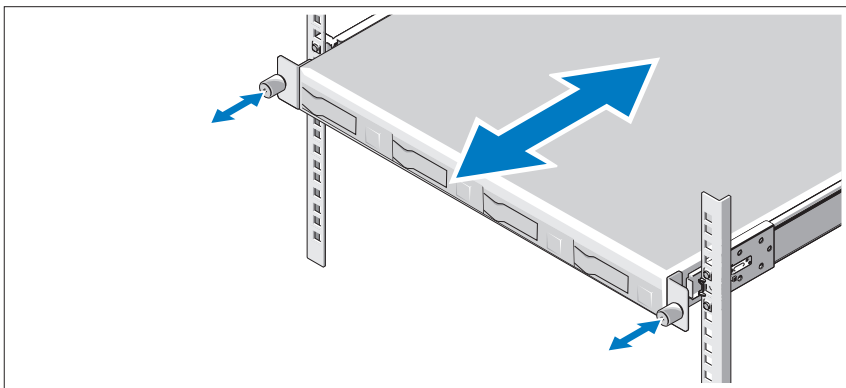




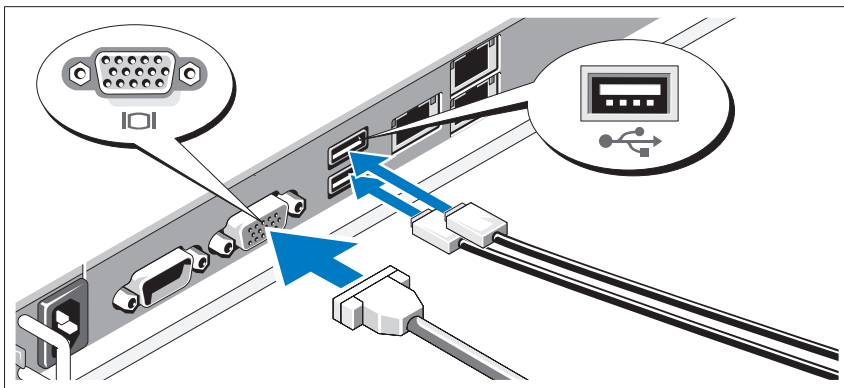
- 5 将机箱导轨末端对准导轨末端并插入，然后将系统往内推，直至机箱导轨锁入到位。



- 6 推动或拉动靠近系统前端的蓝色卡舌，然后将系统滑入机架。拧紧指旋螺钉将系统吊耳固定到机架前端。



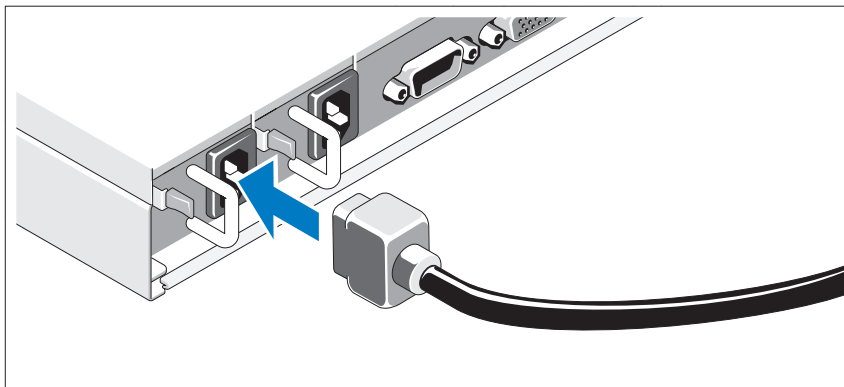
## 可选 - 连接键盘、鼠标和显示器



连接键盘、鼠标和显示器（可选）。

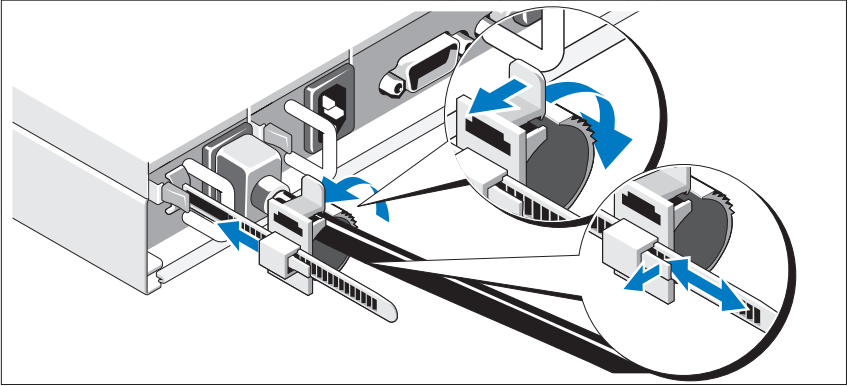
系统背面的连接器附有图标，指示要插入每个连接器的电缆。请确保拧紧显示器电缆连接器上的螺钉（如果有）。

## 连接电源电缆



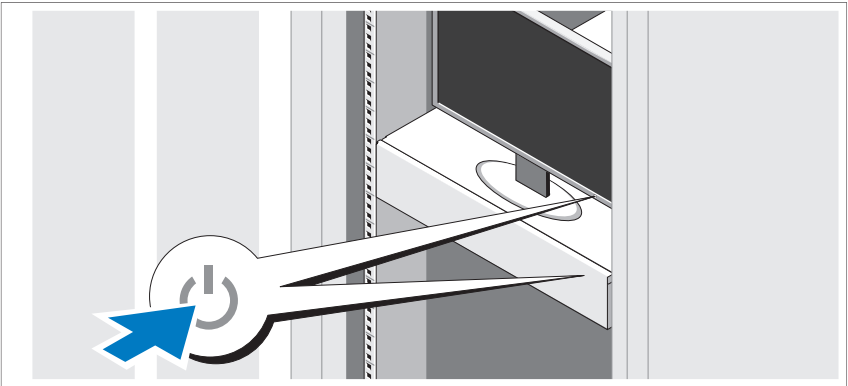
将系统电源电缆连接至系统，如果使用显示器，则将显示器电源电缆连接至显示器。将电源电缆的另一端插入接地的电源插座或单独的电源，如不间断电源设备 (UPS) 或配电装置 (PDU)。

## 固定电源电缆



释放定位器装置上的门锁，然后朝边线末端方向拉动夹紧环。打开夹紧环，插入电源电缆。合上并推回夹紧环，使其尽可能贴近系统。检查并确保电源电缆已固定到系统。

## 开启系统



按下系统和显示器的电源按钮。电源指示灯将会亮起。

## 完成操作系统安装

要安装操作系统，请参阅操作系统的安装和配置说明文件。请确保先安装操作系统，然后再安装未预装的硬件或软件。

## 支持的操作系统

- Red Hat<sup>®</sup> Enterprise Linux<sup>®</sup> 5.4 标准版 (x64)
- Red Hat Enterprise Linux 5.4 标准版 (x86)
- SUSE<sup>®</sup> Linux Enterprise Server 11 (x86\_64)
- Citrix<sup>®</sup> XenServer<sup>™</sup> 企业版 5.x
- VMware<sup>®</sup> ESX Server 4.0 版，更新 1



**注：**有关支持的操作系统的最新信息，请访问 [support.dell.com](http://support.dell.com)。

## 可能需要的其他信息



**警告：**请参阅系统随附的安全与管制信息。保修信息可能包括在该说明文件中，也可能作为单独的说明文件提供。

《硬件用户手册》提供了有关系统功能的信息，并说明了如何排除系统故障以及安装或更换系统组件。可在 [support.dell.com/manuals](http://support.dell.com/manuals) 在线获取该说明文件。

Dell 系统管理应用程序说明文件提供关于安装和使用系统管理软件的信息。可在 [support.dell.com/manuals](http://support.dell.com/manuals) 在线获取该说明文件。



**注：**请经常访问 [support.dell.com/manuals](http://support.dell.com/manuals) 以获得更新，并首先阅读这些更新，因为这些更新通常会取代其它说明文件中的信息。

# 技术规格

---

## 处理器

处理器类型	一个或两个 Intel® Xeon® 5500 或 5600 系列处理器（最多六核处理器）
-------	---

---

## 扩充总线

总线类型	PCI Express 第 2 代
扩充槽 PCIe	一个 x16 半长、全高
夹层 / 子插槽 PCIe	两个 x4 自定义插槽

---

## 内存

体系结构	具有错误纠正代码 (ECC) 带寄存器的 1067 和 1333-MHz DDR-3 内存模块
内存模块插槽	18 个 240 针 DIMM
内存模块容量	2 GB、4 GB 或 8 GB
最小 RAM	12 GB RAM
最大 RAM	144GB RAM

---

## 驱动器

硬盘驱动器	多至四个 3.5 英寸热插拔 SAS/SATA 硬盘驱动器 或 多至十个 2.5 英寸热插拔 SAS/SATA/SSD 硬盘驱动器
-------	---

---

## 连接器

---

### 背面

NIC	两个 RJ-45 接口（用于集成的 10/100/1000 Mbps 以太网）
基于 IP 的 KVM 端口	用于远程管理访问的专用以太网端口
串行	9 针、DTE、16550 兼容连接器
USB	两个 4 针、USB 2.0 兼容连接器
视频	15 针 VGA 连接器

### 正面

USB（仅限于 3.5 英寸机箱）	两个 4 针、USB 2.0 兼容连接器
-------------------	----------------------

---

## 视频

---

视频类型	AST2050 视频控制器；VGA 连接器
视频内存	8 MB

---

## 电源

---

### 交流电源设备（冗余和非冗余）

功率	650 W
电压	115-230 VAC、50/60 Hz、8/4 A
散热	最大 2217.8 BTU/小时
最大涌入电流	在典型的线路环境下，在整个系统环境运行范围内，每个电源设备在 10 毫秒或更短时间内的涌入电流可达 60 A。

### 电池

系统电池	CR 2032 3.0V 锂离子电池
ROMB 电池（可选）	3.7 V 锂离子电池组

---

## 物理

---

高度	70.6 厘米 (27.8 英寸)
宽度	43 厘米 (16.9 英寸)
厚度	4.3 厘米 (1.6 英寸)
重量 (最大配置)	18.5 千克 (40.7 磅)
重量 (空置)	6.8 千克 (14.9 磅)

---

## 环境参数

---

有关具体系统配置的环境测量值的其它信息，请参阅  
[www.dell.com/environmental\\_datasheets](http://www.dell.com/environmental_datasheets)。

### 温度

运行时 10° 至 35° C (50° 至 95° F)，最大温度变化梯度为每小时 10° C

**注：**海拔高度在 2950 英尺以上时，最高操作温度按 1° F/550 英尺降低。

存储时 - 40° 到 65° C (- 40° 到 149° F)，最大温度变化梯度为每小时 20° C

### 相对湿度

运行时 8% 至 85% (非冷凝)，最大湿度变化梯度为每小时 10%

存储时 5% 至 95% (非冷凝)

### 最大振动

运行时 5-350 Hz 时为 0.26 Grms

存储时 10 至 250 Hz 时为 1.54 Grms，15 分钟

---

## 环境参数 (续)

---

### 最大撞击

运行时

在操作方向上，z 轴正方向可承受一个 31 G 的撞击脉冲（系统每一面承受一个脉冲），可持续 2.6 毫秒

存储时

x、y 和 z 轴正负方向上可承受连续六个 71 G 的撞击脉冲（系统每一面承受一个脉冲），最长可持续 2 毫秒

x、y 和 z 轴正负方向上可承受连续六个 32 G 整流方波的速度变化为 270 英寸 / 秒（686 厘米 / 秒）的撞击脉冲（系统每一面承受一个脉冲）。

### 海拔高度

运行时

- 16 至 3,048 米（- 50 至 10,000 英尺）

**注：**海拔高度在 2950 英尺以上时，最高操作温度按 1° F/550 英尺降低。

存储时

- 16 至 12,000 米（- 50 至 35,000 英尺）

### 气载污染物级别

分类

G2 或更低（根据 ISA-S71.04-1985 定义的标准）



Dell™ PowerEdge™ C1100

# Memulai Dengan Sistem Anda

Model Regulasi CS24-TY



# Catatan, Perhatian, dan Peringatan



**CATATAN:** CATATAN menunjukkan informasi penting yang membantu Anda untuk menggunakan komputer dengan lebih baik.



**PERHATIAN:** PERHATIAN menunjukkan kemungkinan kerusakan pada perangkat keras atau hilangnya data jika petunjuk tidak diikuti.



**PERINGATAN:** PERINGATAN menunjukkan kemungkinan kerusakan barang, cedera tubuh, atau kematian.

---

**Informasi dalam dokumen ini dapat berubah tanpa pemberitahuan.**

© 2010 Dell Inc. Hak cipta dilindungi undang-undang.

Dilarang keras memperbanyak materi ini dengan cara apa pun tanpa izin tertulis dari Dell Inc.

Merek dagang yang digunakan dalam dokumen ini: *Dell*, logo *DELL*, dan *PowerEdge*, adalah merek dagang dari Dell Inc.; *Citrix* dan *XenServer* adalah merek dagang dari Citrix Systems, Inc. dan/atau lebih dari satu anak perusahaannya, dan mungkin terdaftar di Kantor Paten dan Merek Dagang Amerika Serikat dan di negara lainnya; *Intel* dan *Xeon* adalah merek dagang terdaftar dari Intel Corporation di A.S. dan negara lainnya; *VMware* adalah merek dagang terdaftar VMware, Inc. di Amerika Serikat dan/atau wilayah hukum lainnya; *Red Hat* dan *Red Hat Enterprise Linux* adalah merek dagang terdaftar dari Red Hat, Inc. di Amerika Serikat dan negara lainnya; *SUSE* adalah merek dagang terdaftar dari Novell, Inc. di Amerika Serikat dan negara lainnya.

Merek dagang dan nama dagang lain mungkin digunakan dalam dokumen ini untuk merujuk ke pihak lain yang memiliki hak kekayaan intelektual atas merek dan nama produk mereka. Dell Inc. menyangkal kepentingan kepemilikan apa pun atas merek dagang dan nama dagang selain miliknya sendiri.

Model Regulasi CS24-TY

Februari 2010    No. Komp. 8W0C4    Rev. A00


# Instalasi dan Konfigurasi


 **PERINGATAN:** Sebelum melakukan prosedur berikut, bacalah petunjuk keselamatan yang disertakan dengan sistem.


## Membuka kemasan Sistem


Buka kemasan sistem Anda dan kenali masing-masing barang.

## Menginstal Solusi Rel dengan Alat

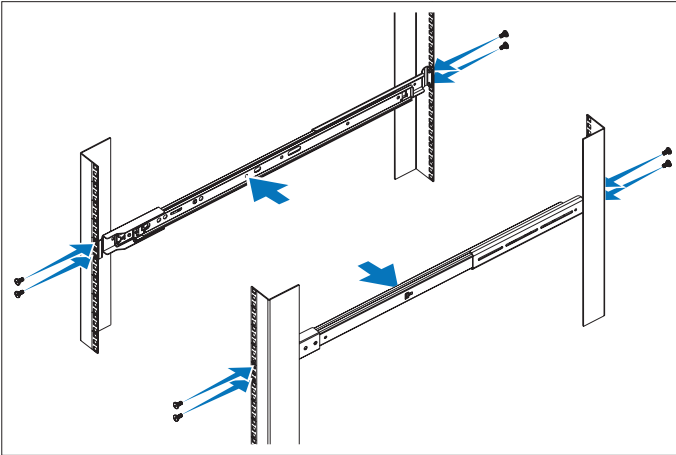
 **PERINGATAN:** Setiap kali Anda perlu mengangkat sistem, mintalah orang lain untuk membantu Anda. Untuk mencegah cedera, jangan mencoba mengangkat sistem sendirian.

 **PERINGATAN:** Sistem belum terpasang pada rak atau digantung pada relnya. Untuk mencegah cedera atau kerusakan pada sistem, Anda harus menyangga rak sistem dengan baik selama instalasi dan melepaskan sistem.

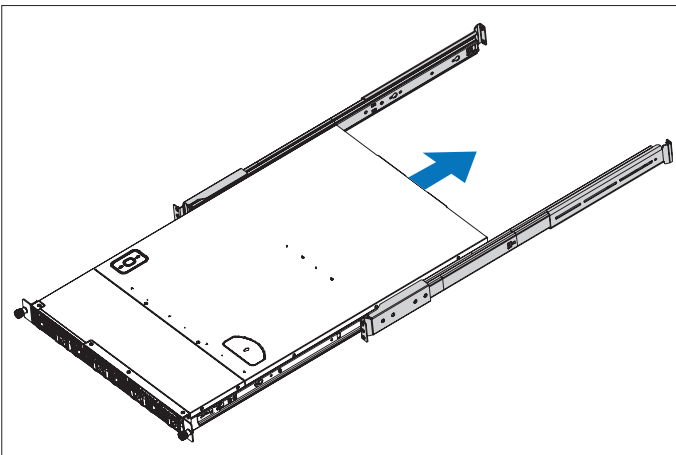
 **PERHATIAN:** Sebelum memasang sistem pada rak, pasang stabilisator depan dan sisi pada rak tunggal atau stabilisator depan pada rak yang dirangkaikan dengan rak lain. Jika stabilisator tidak dipasang dengan benar pada rak sebelum sistem dipasang, dapat membuat rak terbalik dan kemungkinan menyebabkan cedera pada badan dalam situasi tertentu. Oleh karenanya, selalu pasang stabilisator sebelum memasang komponen pada rak.

 **PERHATIAN:** Banyak perbaikan yang hanya dapat dilakukan oleh teknisi servis bersertifikat. Anda hanya dapat melakukan pemecahan masalah dan perbaikan sederhana seperti yang sudah diizinkan dalam dokumentasi produk, atau sebagaimana sudah diarahkan oleh tim servis dan dukungan secara online atau melalui telepon. Kerugian karena melakukan servis tanpa izin Dell tidak tercakup dalam garansi Anda. Bacalah dan ikuti instruksi keamanan yang disertakan bersama produk.

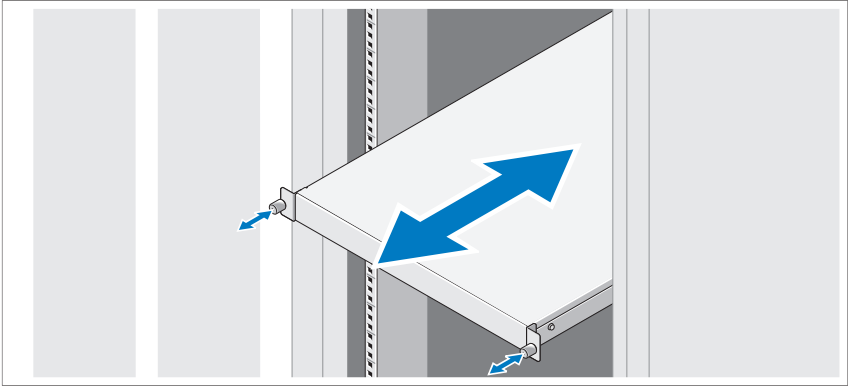
- 1 Pasang rel luncur di dalam rak.



- 2 Ratakan rel bagian dalam dengan rel peluncur rak dan dorong sistem ke dalam rel peluncur sampai gerendel kunci mengunci pada tempatnya.




- 3 Luncurkan sistem ke dalam rak dan kencangkan sekrup pengatur untuk mengencangkan kuping sistem ke rak bagian depan.

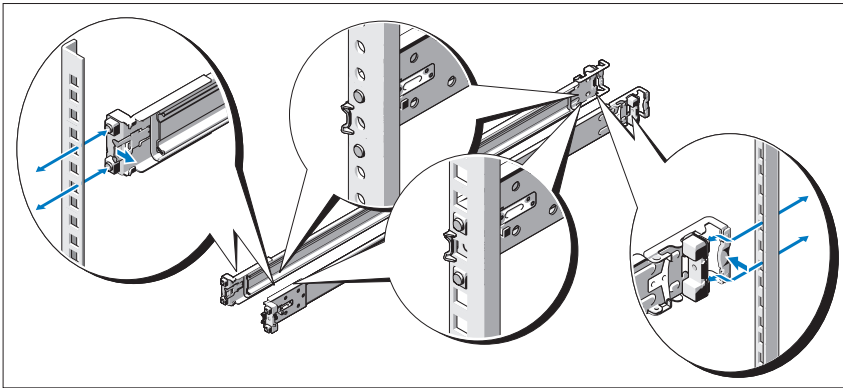


### Memasang Solusi Rel dengan Alat Minimal

- ⚠ **PERINGATAN:** Setiap kali Anda perlu mengangkat sistem, mintalah orang lain untuk membantu Anda. Untuk mencegah cedera, jangan mencoba mengangkat sistem sendirian.
- ⚠ **PERINGATAN:** Sistem belum terpasang pada rak atau digantung pada relnya. Untuk mencegah cedera atau kerusakan pada sistem, Anda harus menyangga rak sistem dengan baik selama instalasi dan melepaskan sistem.
- ⚠ **PERHATIAN:** Sebelum memasang sistem pada rak, pasang stabilisator depan dan sisi pada rak yang berdiri sendiri (tunggal) atau stabilisator depan pada rak yang dirangkaikan dengan rak lain. Jika stabilisator tidak dipasang dengan benar pada rak sebelum sistem dipasang, dapat membuat rak terbalik dan kemungkinan menyebabkan cedera pada badan dalam situasi tertentu. Oleh karenanya, selalu pasang stabilisator sebelum memasang komponen pada rak.
- ⚠ **PERHATIAN:** Ketika menginstal rak pada rak dengan lubang persegi, penting untuk memastikan bahwa pasak persegi menembus lubang persegi.

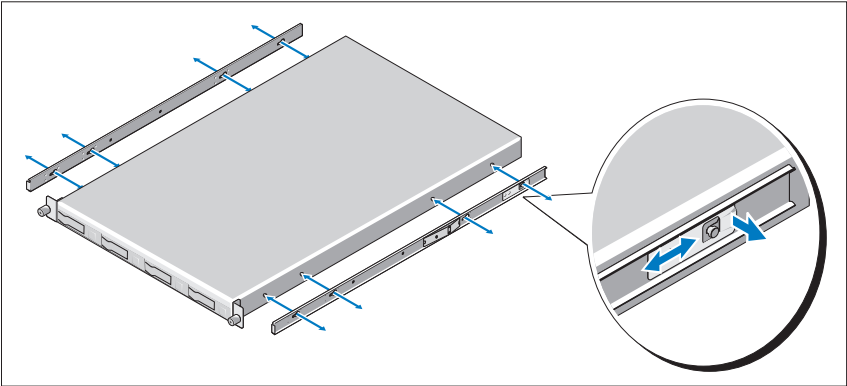
- 1 Sesuaikan bagian ujung rel pada flens rak vertikal untuk mendudukkan pasak pada lubang bawah U pertama dan lubang atas U kedua. Tarik bagian belakang rel sampai gerendel terkunci di depannya.

 **CATATAN:** Rel dapat digunakan pada rak dengan lubang persegi dan lubang bulat.

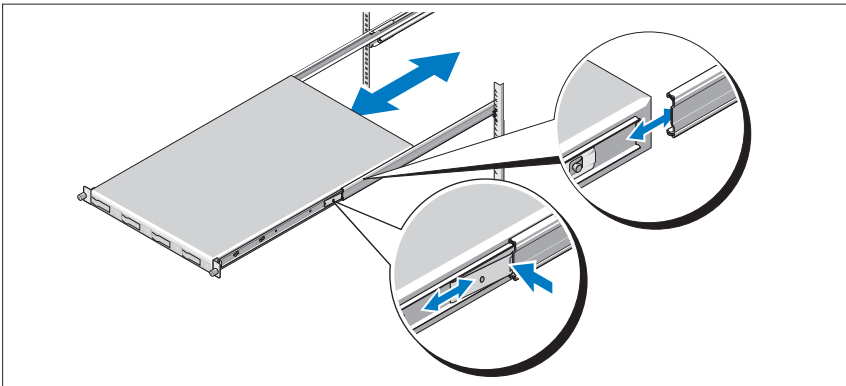


- 2 Ulangi untuk memposisikan dan mendudukkan bagian depan pada flens vertikal.
- 3 Untuk melepaskan rel, tarik tombol pembebas gerendel di titik tengah bagian belakang dan lepaskan masing-masing rel.

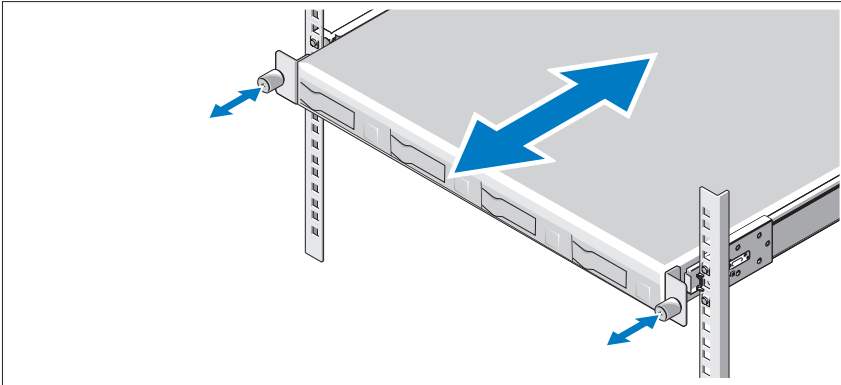
- 4** Luruskan empat slot lubang kunci pada rel sasis dengan pin terkait pada sistem dan luncurkan rel sasis ke arah belakang sistem sampai terkunci di tempatnya.



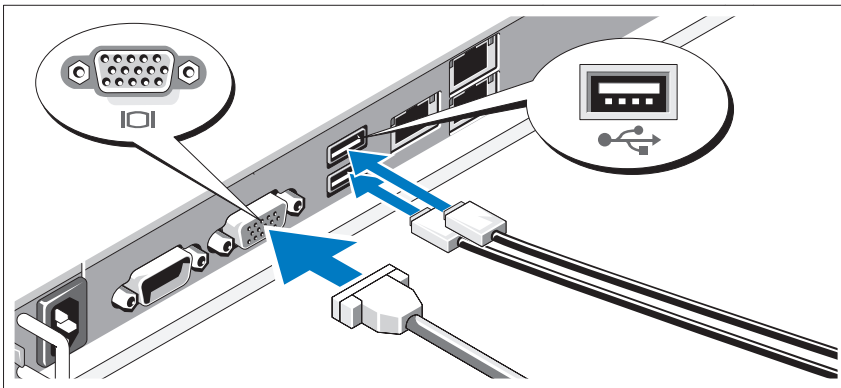
- 5** Luruskan dan sisipkan ujung rel sasis ke ujung rel dan dorong sistem ke dalam hingga rel sasis terkunci di tempatnya.



- 6 Dorong atau tarik tab biru yang berada dekat bagian depan sistem dan luncurkan sistem ke dalam rak. Kencangkan sekrup pengatur untuk mengencangkan kuping sistem ke rak bagian depan.



### Opsional – Menghubungkan Keyboard, Mouse, dan Monitor

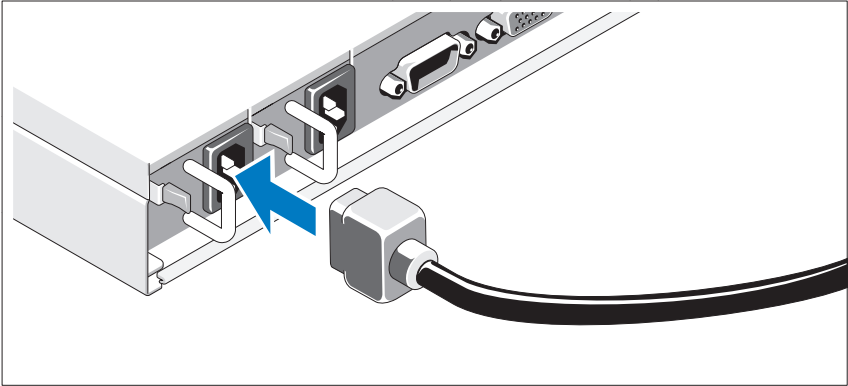


Hubungkan keyboard, mouse, dan monitor (opsional).

Konektor di bagian belakang sistem Anda ditandai dengan ikon yang menunjukkan kabel mana yang harus ditancapkan ke masing-masing konektor. Pastikan untuk mengencangkan sekrup (jika ada) pada konektor kabel monitor.

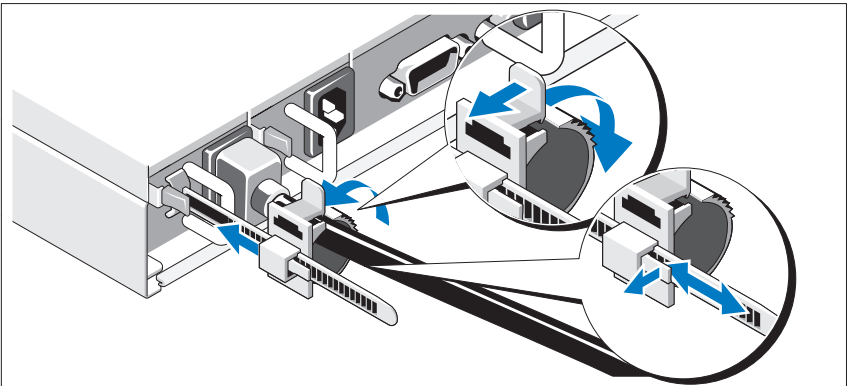


## Menghubungkan Kabel Daya



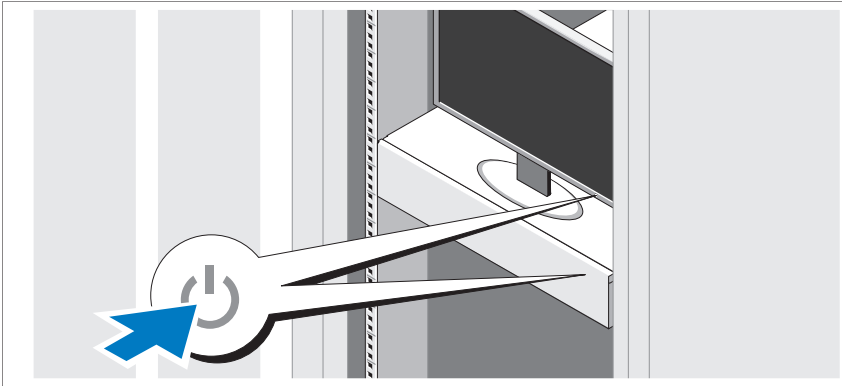
Hubungkan kabel daya sistem ke sistem dan, jika menggunakan monitor, hubungkan kabel daya monitor ke monitor. Tancapkan ujung kabel daya yang lain ke stopkontak listrik yang ditanahkan atau sumber daya terpisah seperti catu daya tak terputus (UPS) atau unit distribusi daya (PDU).

## Mengamankan Kabel Daya



Lepaskan gerendel pada unit penahan dan tarik cincin penjepit ke arah ujung setrip. Buka cincin penjepit dan sisipkan kabel daya. Buka dan tekan cincin penjepit ke belakang hingga sedekat mungkin dengan sistem. Cek untuk memastikan bahwa kabel daya menempel pada sistem.

## Menyalakan Sistem



Tekan tombol daya pada sistem dan monitor. Indikator daya seharusnya menyala.

## Menyelesaikan Pemasangan Sistem Operasi

Untuk menginstal sistem operasi, lihat dokumentasi instalasi dan konfigurasi untuk sistem operasi Anda. Pastikan bahwa sistem operasi telah terinstal sebelum Anda menginstal perangkat keras atau perangkat lunak yang tidak dibeli bersama sistem.

## Sistem Operasi yang Didukung

- Red Hat® Enterprise Linux® 5.4 edisi Standard (x64)
- Red Hat Enterprise Linux 5.4 edisi Standard (x86)
- SUSE® Linux Enterprise Server 11 (x86\_64)
- Citrix® XenServer™ edisi Enterprise 5.x
- VMware® ESX Server Versi 4.0, Pembaruan 1



**CATATAN:** Untuk informasi terkini mengenai sistem operasi yang didukung, lihat [support.dell.com](http://support.dell.com).

## Informasi Lain Yang Mungkin Anda Perlukan



**PERINGATAN:** Lihat informasi keselamatan dan peraturan yang dikirimkan dengan sistem Anda. Informasi garansi mungkin disertakan dalam dokumen ini atau sebagai dokumen yang terpisah.

*Panduan Pemilik Perangkat Keras* berisi informasi tentang fitur sistem dan menjelaskan cara mengatasi masalah sistem dan menginstal atau mengganti komponen sistem. Dokumen ini tersedia secara online di [support.dell.com/manuals](http://support.dell.com/manuals).

Dokumentasi aplikasi manajemen sistem Dell menyediakan informasi mengenai instalasi dan cara menggunakan perangkat lunak manajemen sistem. Dokumen ini tersedia secara online di [support.dell.com/manuals](http://support.dell.com/manuals).



**CATATAN:** Selalu periksa pembaruan di [support.dell.com/manuals](http://support.dell.com/manuals) dan bacalah pembaruan tersebut terlebih dahulu karena seringkali menggantikan informasi dalam dokumen lain.

# Spesifikasi Teknis

---

## Prosesor

---

Tipe prosesor	Satu atau dua prosesor Intel® Xeon® seri 5500 atau 5600 (hingga prosesor enam inti)
---------------	---

---

## Bus Ekspansi

---

Tipe bus	PCI Express Generasi 2
Slot ekspansi PCIe	Satu x16 setengah panjang, tinggi penuh
Slot Mezzanine/Daughter PCIe	Dua slot x4 kustom

---

## Memori

---

Arsitektur	Modul memori terdaftar DDR-3 dengan Kode Pelaporan Kesalahan (ECC) 1067 dan 1333 MHz
Soket modul memori	Delapan belas DIMM 240-pin
Kapasitas modul memori	2 GB, 4 GB, atau 8 GB
RAM minimum	RAM 12 GB
RAM maksimum	RAM 144 GB

---

## Drive

---

Hard drive	Hingga empat hard drive SAS/SATA hot-swappable 3,5-inci atau Hingga sepuluh hard drive SAS/SATA/SSD hot-swappable 2,5-inci
------------	--

---

**Konektor**

---

## Belakang

NIC	Dua RJ-45 (untuk Ethernet 10/100/1000 Mbps terintegrasi)
KVM melalui port IP	Port Ethernet khusus untuk akses manajemen jarak jauh
Serial	9-pin, DTE, kompatibel dengan 16550
USB	Dua 4-pin, memenuhi standar USB 2.0
Video	VGA 15-pin

## Depan

USB (hanya untuk sasis 3,5-inci)	Dua 4-pin, memenuhi standar USB 2.0
----------------------------------	-------------------------------------

---

**Video**

---

Tipe video	Kontroler video AST2050; konektor VGA
Memori video	8 MB

---

**Daya**

---

## Catu daya AC (dengan dan tanpa cadangan)

Watt Daya	650 W
Tegangan	115-230 VAC, 50/60 Hz, 8/4 A
Pelepasan panas	Maksimum 2217,8 BTU/jam
Lonjakan arus maksimum	Pada kondisi jaringan listrik tipikal dan di seluruh kisaran pengoperasian normal sistem, lonjakan arus dapat mencapai 60 A per catu daya selama 10 mdtk atau kurang.

## Baterai

Baterai sistem	Sel koin lithium CR 2032 3,0-V
Baterai ROMB (opsional)	Baterai lithium ion 3,7 V

---

**Fisik**

---

Tinggi	70,6 cm (27,8 inci)
Lebar	43 cm (16,9 inci)
Tebal	4.3 cm (1,6 in)
Berat (konfigurasi maksimum)	18,5 kg (40,7 lb)
Berat (kosong)	6,8 kg (14,9 lb)

---

**Lingkungan**

---

Untuk informasi lebih lanjut mengenai ukuran lingkungan untuk konfigurasi sistem spesifik, lihat [www.dell.com/environmental\\_datasheets](http://www.dell.com/environmental_datasheets).

**Suhu**

Pengoperasian	10° sampai dengan 35 (50° sampai dengan 95°F) dengan perubahan suhu maksimum 10 per jam
---------------	---

**CATATAN:** Pada ketinggian di atas 899,16 m (2.950 ft), suhu pengoperasian maksimum berkurang 1°F/167,64 m (550 ft).

Penyimpanan	-40° sampai dengan 65 (-40° sampai dengan 149°F) dengan perubahan suhu maksimum 20 per jam
-------------	--

**Kelembapan relatif**

Pengoperasian	8% sampai dengan 85% (tanpa pengembunan) dengan perubahan kelembapan maksimum 10% per jam
---------------	---

Penyimpanan	5% sampai dengan 95% (tanpa pengembunan)
-------------	--

**Getaran maksimum**

Pengoperasian	0,26 Grms pada 5-350 Hz
---------------	-------------------------

Penyimpanan	1,54 Grms pada 10-250 Hz selama 15 menit
-------------	--

---

**Lingkungan (*bersambung*)**

---

## Guncangan maksimum

Pengoperasian Satu pulsa guncangan pada sumbu z positif (satu pulsa pada setiap sisi sistem) sebesar 31 G selama 2,6 mdtk dalam orientasi pengoperasian

Penyimpanan Enam pulsa guncangan yang terjadi berurutan pada sumbu x, y, dan z positif dan negatif (satu pulsa pada setiap sisi sistem) sebesar 71 G selama 2 mdtk

Enam pulsa guncangan berturut-turut pada sumbu x, y, dan z positif dan negatif (satu pulsa pada setiap sisi sistem) sebesar 32 G pulsa gelombang kotak biasa dengan perubahan kecepatan pada 686 cm/detik (270 inci/detik)

## Ketinggian

Pengoperasian -16 sampai dengan 3.048 m  
(-50 sampai dengan 10.000 ft)

**CATATAN:** Pada ketinggian di atas 899,16 m (2.950 ft), suhu pengoperasian maksimum berkurang 1°F/167,64 m (550 ft).

Penyimpanan -16 sampai dengan 12.000 m  
(-50 sampai dengan 35.000 kaki)

## Tingkat Pencemaran Udara

Kelas G2 atau yang lebih rendah sesuai standar ISA-S71.04-1985





Dell™ PowerEdge™ C1100

はじめに

認可モデル CS24-TY



## メモ、注意、警告



**メモ：**コンピュータを使いやすくするための重要な情報を説明しています。



**注意：**手順に従わない場合は、ハードウェアの損傷やデータの損失の可能性を示しています。



**警告：**物的損害、けが、または死亡の原因となる可能性があることを示しています。

---

**本書の内容は予告なく変更されることがあります。  
© 2010 すべての著作権は Dell Inc. にあります。**

Dell Inc. の書面による許可のない複製は、いかなる形態においても厳重に禁じられています。


本書に使用されている商標：Dell、DELL ロゴ、および PowerEdge は Dell Inc. の商標です。Citrix および XenServer は Citrix Systems, Inc. および / またはその関連子会社の商標であり、米国特許商標局および他の国で登録されている場合があります。Intel および Xeon は米国その他の国における Intel Corporation の登録商標です。VMware は米国その他の法域における VMware, Inc. の登録商標です。Red Hat および Enterprise Linux は米国その他の国における Red Hat, Inc. の登録商標です。SUSE は米国その他の国における Novell, Inc. の登録商標です。

商標または製品の権利を主張する事業体を表すためにその他の商標および社名が使用されていることがあります。それらの商標や会社名は、一切 Dell Inc. に帰属するものではありません。

認可モデル CS24-TY

2010年2月 P/N 8W0C4 Rev. A00


## 取り付けと設定


 **警告：**次の手順を実行する前に、システムに付属しているマニュアルの「安全にお使いいただくために」をお読みください。


### システムの開梱


システムを箱から取り出し、同梱品がすべて揃っていることを確認します。

### ツールドレールソリューションの取り付け

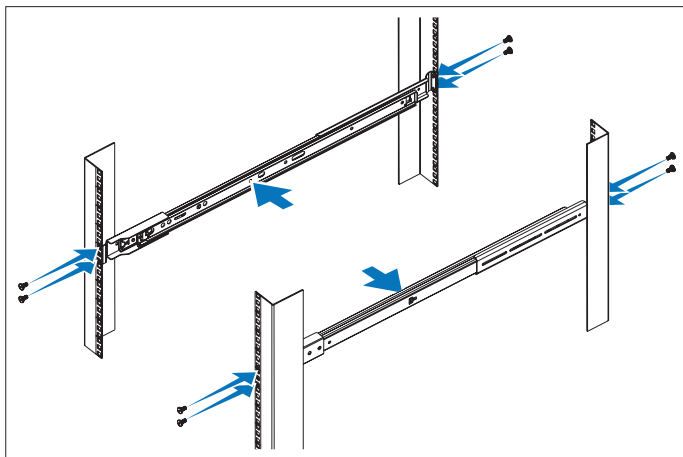
 **警告：**システムを持ち上げる必要がある場合は、必ずだれかの手を借りてください。けがを防ぐため、決してシステムを一人で持ち上げようとしてください。

 **警告：**システムはラックに固定されておらず、レールに取り付けられてもいません。人身傷害やシステムの損傷を避けるため、取り付けと取り外しの際にはシステムラックを十分に支えてください。

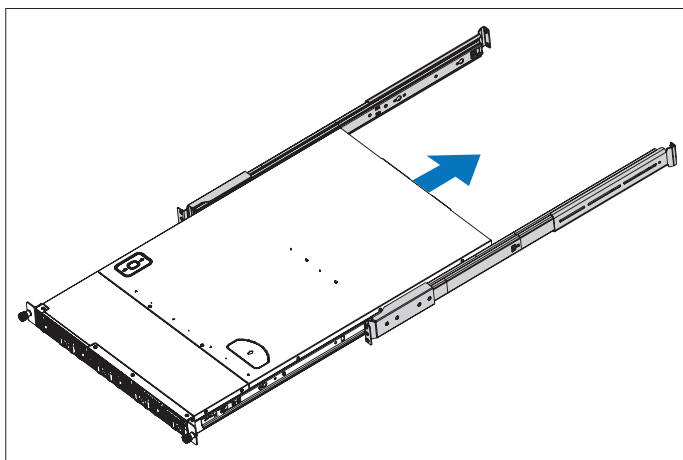
 **注意：**スタンドアロン（単体）ラックでは前面と側面のスタビライザ、連結ラックでは前面のスタビライザを取り付けてからラックにシステムを取り付けてください。スタビライザを正しく取り付けずにシステムをラックに取り付けると、ラックが転倒し、けがをするおそれがあります。必ずスタビライザを取り付けてから、ラックにコンポーネントを取り付けてください。

 **注意：**修理作業の多くは、認定されたサービス技術者のみが行うことができます。製品マニュアルで許可されている範囲に限り、またはオンラインサービスもしくはテレホンサービスとサポートチームの指示によってのみ、トラブルシューティングと簡単な修理を行うようにしてください。デルで認められていない修理（内部作業）による損傷は、保証の対象となりません。製品に付属しているマニュアルの「安全にお使いいただくために」をお読みになり、指示に従ってください。

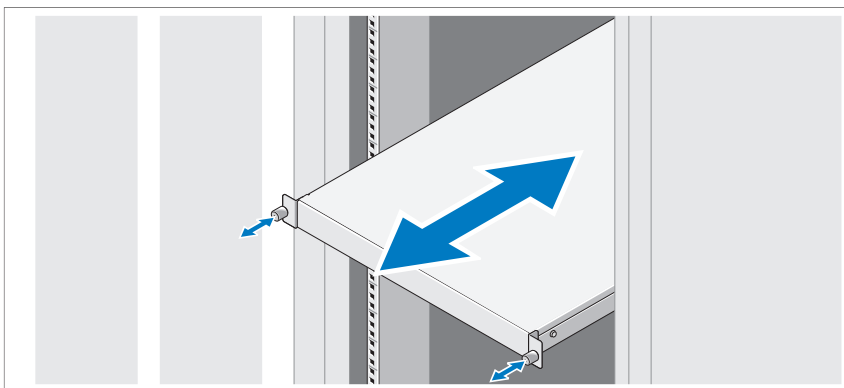
- 1 スライドレールをラックに取り付けます。



- 2 内側レールをラックのスライドレールに合わせ、ロックラッチがカチッと固定されるまでシステムをスライドレールに挿入します。




- 3 システムをラックに挿入し、蝶ネジを締めてシステムの両側をラックの前面に固定します。

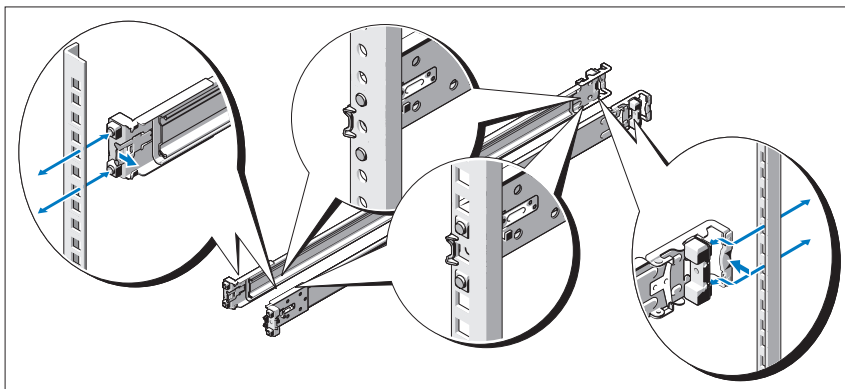


### ツールレスレールソリューションの取り付け

- ⚠ 警告：システムを持ち上げる必要がある場合は、必ずだれかの手を借りてください。けがを防ぐため、決してシステムを一人で持ち上げようとしてください。
- ⚠ 警告：システムはラックに固定されておらず、レールに取り付けられてもいません。人身傷害やシステムの損傷を避けるため、取り付けと取り外しの際にはシステムラックを十分に支えてください。
- △ 注意：スタンドアロン（単体）ラックでは前面と側面のスタビライザ、連結ラックでは前面のスタビライザを取り付けてからラックにシステムを取り付けてください。スタビライザを正しく取り付けずにシステムをラックに取り付けると、ラックが転倒し、けがをするおそれがあります。必ずスタビライザを取り付けてから、ラックにコンポーネントを取り付けてください。
- △ 注意：レールを角型穴のラックに取り付ける際には、角型のペグを角型の穴に確実に挿入することが重要です。

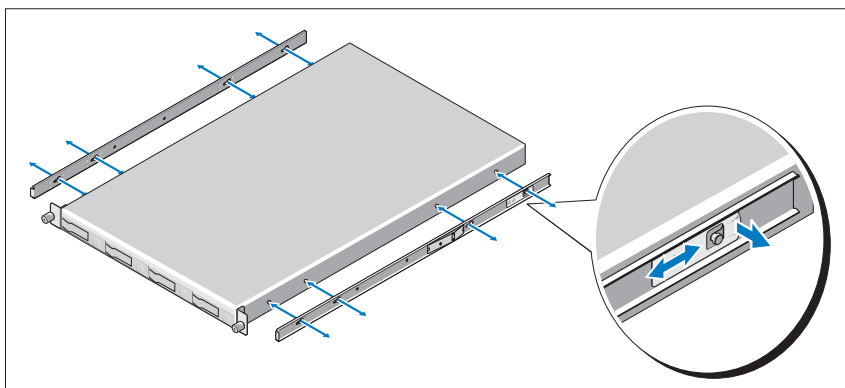
- 1 レールのエンドピースを垂直ラックフランジに合わせて、ペグを1番目のUの最下部の穴と2番目のUの最上部の穴に挿入し、ラッチが所定の位置にロックされるまで、レールの後端を固定します。

 **メモ**：レールは角型穴と丸型穴の両方のラックに使用できます。

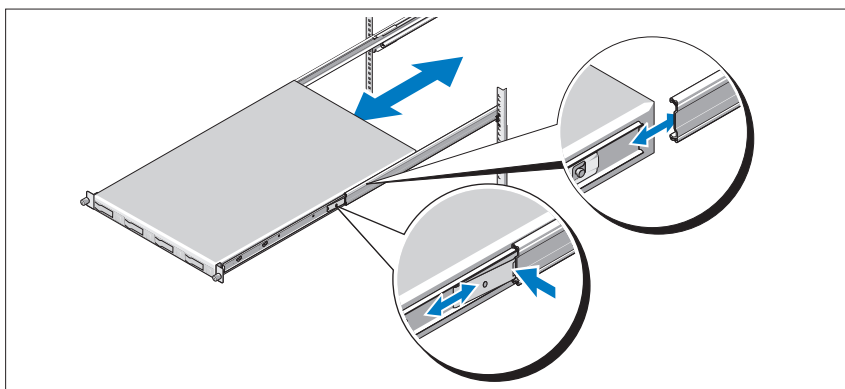


- 2 この手順を繰り返して、前面のエンドピースを垂直フランジに取り付けます。
- 3 レールを取り外すには、エンドピースの中央にあるラッチリリースボタンを引いて各レールを外します。

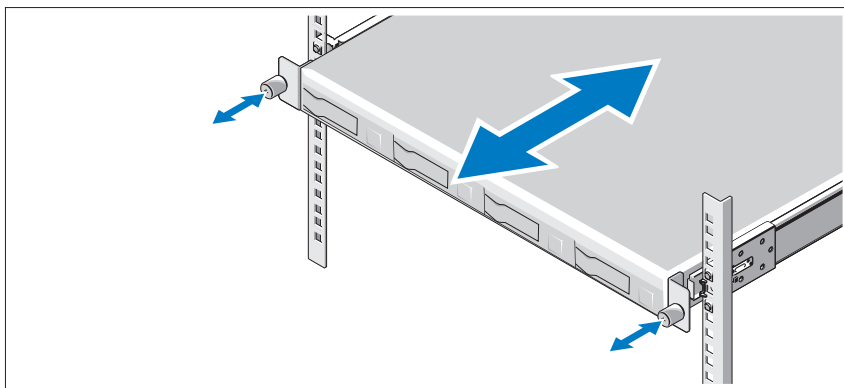
- 4 シャーシレールの4つの鍵穴スロットをシステム上の対応するピンに合わせ、所定の位置にロックされるまで、シャーシレールをシステムの背面方向に押し込みます。



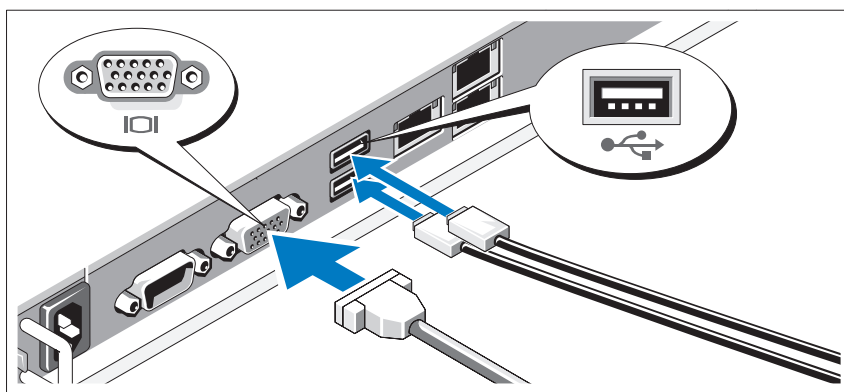
- 5 左右のシャーシレールの先端をレールの先端に合わせて挿入し、シャーシレールが所定の位置にロックされるまで、システムを押し込みます。



- 6 システムの前面に近い位置にある青色のタブを左右のいずれかに動かして、システムをラックに挿入します。蝶ネジを締めて、システムの両側をラックの前面に固定します。



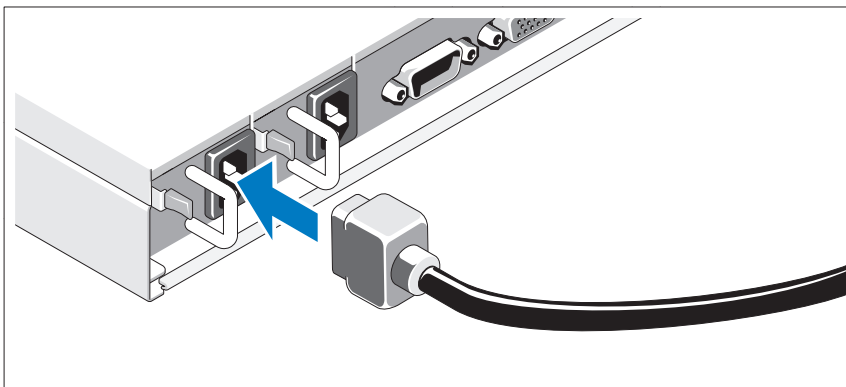
### オプション - キーボード、マウス、モニターの接続



キーボード、マウス、モニター（オプション）を接続します。  
システム背面のコネクタには、どのケーブルをどのコネクタに接続するかを示すアイコンがあります。モニターのケーブルコネクタにネジがある場合は、必ず締めてください。

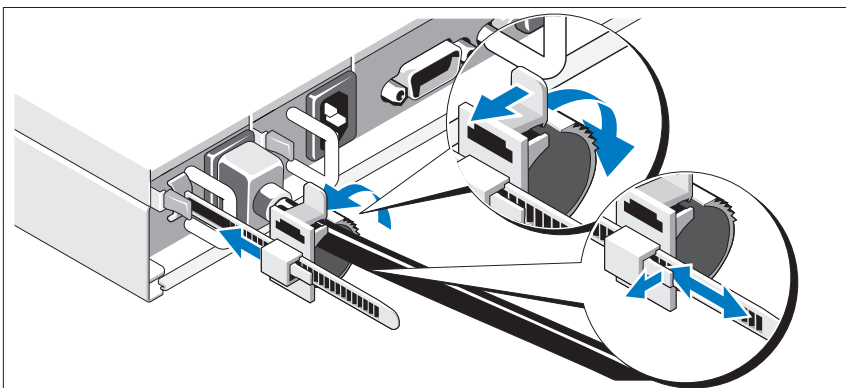


## 電源ケーブルの接続



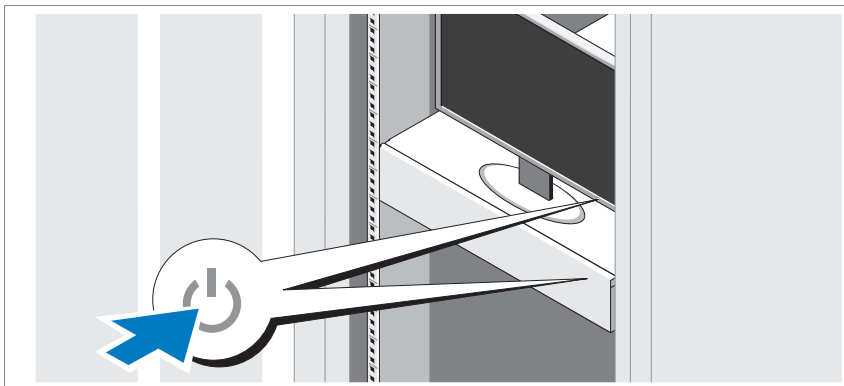
システムの電源ケーブルをシステムに接続し、モニターを使用する場合は、モニターの電源ケーブルをモニターに接続します。電源ケーブルのもう一方の端をアースされたコンセントまたは無停電電源装置（UPS）や配電装置（PDU）などの別の電源に接続します。

## 電源ケーブルの固定



リテナユニットのラッチを解除し、締付けリングをストリップの端側に引き寄せます。締付けリングを開き、電源ケーブルを挿入します。締付けリングを閉じ、できるだけシステムに近い位置まで押し戻します。電源ケーブルがシステムに固定されていることを確認します。

## システムの電源投入



システムとモニターの電源ボタンを押します。電源インジケータが点灯します。

## OS のセットアップの完了

OS をインストールする場合は、お使いの OS のインストールと設定に関するマニュアルを参照してください。システムとは別途に購入したハードウェアやソフトウェアのインストールは、OS がインストール済みであることを確認してから行ってください。

## 対応 OS

- Red Hat® Enterprise Linux® 5.4 Standard Edition (x64)
- Red Hat Enterprise Linux 5.4 Standard Edition (x86)
- SUSE® Linux Enterprise Server 11 (x86\_64)
- Citrix® XenServer™ Enterprise edition 5.x
- VMware® ESX Server バージョン 4.0、アップデート 1



**メモ**：対応 OS の最新情報については、[support.dell.com](http://support.dell.com) を参照してください。

## その他の情報



**警告**：システムに付属のマニュアルで安全および認可機関に関する情報を参照してください。保証情報は、このマニュアルに含まれている場合と、別の文書として付属する場合があります。

『ハードウェアオーナーズマニュアル』では、システムの機能、トラブルシューティングの方法、およびコンポーネントの取り付け方や交換方法について説明しています。この文書は [support.dell.com/manuals](http://support.dell.com/manuals) からオンラインで入手できます。

Dell システム管理アプリケーションのマニュアルでは、システム管理ソフトウェアのインストール方法と使い方を説明しています。この文書は [support.dell.com/manuals](http://support.dell.com/manuals) からオンラインで入手できます。



**メモ**：アップデートには他の文書の内容を差し替える情報が含まれている場合がよくありますので、[support.dell.com/manuals](http://support.dell.com/manuals) でアップデートがないかどうかを常に確認し、初めにお読みください。

# 仕様

---

## プロセッサ

---

プロセッサのタイプ Intel® Xeon® 5500/5600 シリーズのプロセッサが 1 個または 2 個 (6 コアまで)

---

## 拡張バス

---

バスのタイプ PCI Express Generation 2

拡張スロット

PCIe

x16 ハーフレングス、フルハイト 1 個

メザニン/ドータースロット

PCIe

x4 カスタムスロット 2 個

---

## メモリ

---

アーキテクチャ 1067 および 1333 MHz DDR-3 レジスタ ECC メモリモジュール

メモリモジュールソケット 240 ピン DIMM 18 個

メモリモジュールの容量 2 GB、4 GB、または 8 GB

最小 RAM 12 GB RAM

最大 RAM 144 GB RAM

---

## ドライブ

---

ハードドライブ 3.5 インチ、ホットスワップ対応  
SAS/SATA ハードドライブ 4 台まで  
または  
2.5 インチ、ホットスワップ対応  
SAS/SATA/SSD ハードドライブ 10 台まで

---

## コネクタ

---

### 背面

NIC	内蔵 10/100/1000 Mbps イーサネット用 RJ-45 コネクタ 2 個
KVM-over-IP ポート	リモート管理アクセス専用イーサネットポート
シリアル	16550 互換 9 ピン DTE
USB	4 ピン USB 2.0 対応コネクタ 2 個
ビデオ	15 ピン VGA

### 前面

USB (3.5 インチシャーシのみ)	4 ピン USB 2.0 対応コネクタ 2 個
---------------------	-------------------------

---

## ビデオ

---

ビデオのタイプ	AST2050 ビデオコントローラ、VGA コネクタ
ビデオメモリ	8 MB

---

## 電源

---

### AC 電源ユニット (冗長および非冗長)

ワット数	650 W
電圧	115 ~ 230 VAC、50/60 Hz、8/4 A
熱消費	最大 2217.8 BTU/時
最大流入電流	通常のラインコンディションのもと、システムの動作環境全範囲で、電源ユニット 1 台につき 10 ミリ秒以下で 60 A の入電量を許容できます。

### バッテリー

システムバッテリー	3.0 V コイン型リチウムバッテリー CR 2032
ROMB バッテリー (オプション)	3.7 V リチウムイオンバッテリーパック

---

## 寸法と重量

---

縦幅	70.6 cm
横幅	43 cm
奥行き	4.3 cm
重量（最大構成）	18.5 kg
重量（空の状態）	6.8 kg

---

## 環境

---

特定のシステム構成でのその他の環境条件の詳細については、[www.dell.com/environmental\\_datasheets](http://www.dell.com/environmental_datasheets)を参照してください。

### 温度

動作時 1 時間あたり最大 10° C の温度変化で 10 ~ 35° C  
**メモ：** 高度が 900 m を超えると、動作時の許容最大温度は、168 m ごとに 1° F ずつ低下します。

保管時 1 時間あたり最大 20° C の温度変化で -40 ~ 65° C

### 相対湿度

動作時 1 時間あたり最大 10 パーセントの湿度変化で 8 ~ 85 パーセント（結露しないこと）

保管時 5 ~ 95 パーセント（結露しないこと）

### 最大振動

動作時 5 ~ 350 Hz で 0.26 Grms

保管時 15 分間にわたり 10 ~ 250 Hz で 1.54 Grms

---

## 環境（続き）

---

### 最大衝撃

動作時

z 軸の正方向に 2.6 ミリ秒で 31 G の 1 衝撃パルス（システムの各面に対して 1 パルス）

保管時

x、y、z 軸の正および負方向に 6 連続衝撃パルス（システムの各面に対して 1 パルス）、2 ミリ秒以下で 71 G

x、y、z 軸の正および負方向に 6 連続衝撃パルス（システムの各面に対して 1 パルス）、32 G フェアードスクエアパルス波（686 cm / 秒の速度）

### 高度

動作時

-16 ~ 3,048 m

**メモ：**高度が 900 m を超えると、動作時の許容最大温度は、168 m ごとに 1° F ずつ低下します。

保管時

-16 ~ 12,000 m

### 空気汚染物質レベル

クラス

G2 またはそれ未満（ISA-571.04-1985 の定義による）





Dell™ PowerEdge™ C1100

# 시스템 시작하기

## 주, 주의 및 경고



**주:** 주는 컴퓨터를 보다 효율적으로 사용하는 데 도움을 주는 중요 정보를 제공합니다.



**주의:** 주의는 지침을 준수하지 않을 경우의 하드웨어 손상이나 데이터 손실 위험을 설명합니다.



**경고:** 경고는 재산상의 피해나 심각한 부상 또는 사망을 유발할 수 있는 위험이 있음을 알려줍니다.

---

**이 문서의 정보는 사전 통보 없이 변경될 수 있습니다.**

© 2010 Dell Inc. 저작권 본사 소유.

Dell Inc.의 서면 승인 없이 어떠한 방식으로든 본 자료를 무단 복제하는 행위는 엄격히 금지됩니다.


본 설명서에 사용된 상표인 *Dell*, *DELL* 로고 및 *PowerEdge*는 Dell Inc.의 상표입니다. *Citrix* 및 *XenServer*는 Citrix Systems, Inc. 및/또는 그 계열사의 상표이며 미국 특허청 및 기타 국가에 등록된 것일 수 있습니다. *Intel* 및 *Xeon*은 미국 및 기타 국가에서 Intel Corporation의 등록 상표입니다. *VMware*는 미국 및/또는 기타 지역에서 VMware, Inc.의 등록 상표입니다. *Red Hat* 및 *Red Hat Enterprise Linux*는 미국 및 기타 국가에서 Red Hat, Inc.의 등록 상표입니다. *SUSE*는 미국 및 기타 국가에서 Novell, Inc.의 등록 상표입니다.

본 문서에서 특정 회사의 표시나 제품 이름을 지칭하기 위해 기타 상표나 상호를 사용할 수도 있습니다. Dell Inc.는 자사가 소유하고 있는 것 이외에 기타 모든 상표 및 상호에 대한 어떠한 소유권도 없습니다.

규정 모델 CS24-TY

2010 년 2 월      P/N 8W0C4      Rev. A00


## 설치 및 구성


 **경고** : 다음 절차를 수행하기 전에 시스템과 함께 제공되는 안전 지침을 검토하십시오.


### 시스템 포장 풀기


시스템 포장을 풀고 각 항목을 확인합니다.

### 도구를 사용한 레일 솔루션 설치

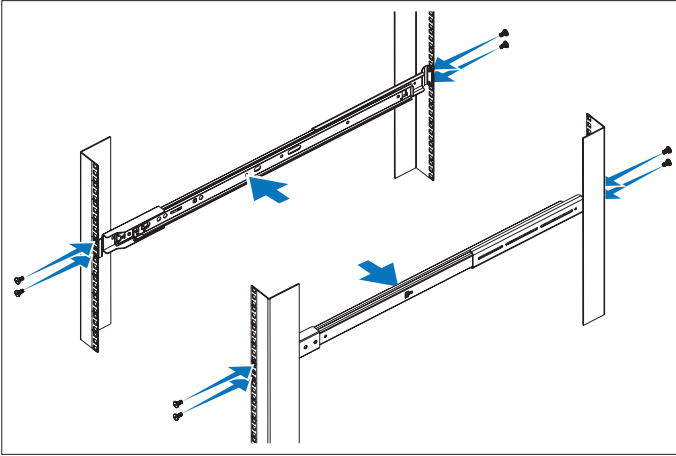
 **경고** : 시스템을 옮겨야 하는 경우에는 반드시 다른 사람의 도움을 받으십시오. 부상당할 우려가 있으므로 시스템을 혼자 들지 마십시오.

 **경고** : 시스템은 랙에 고정되거나 레일에 장착되어 있지 않습니다. 부상이나 시스템 손상을 방지하려면 설치 또는 제거 시 시스템 랙을 적절한 방법으로 지지해야 합니다.

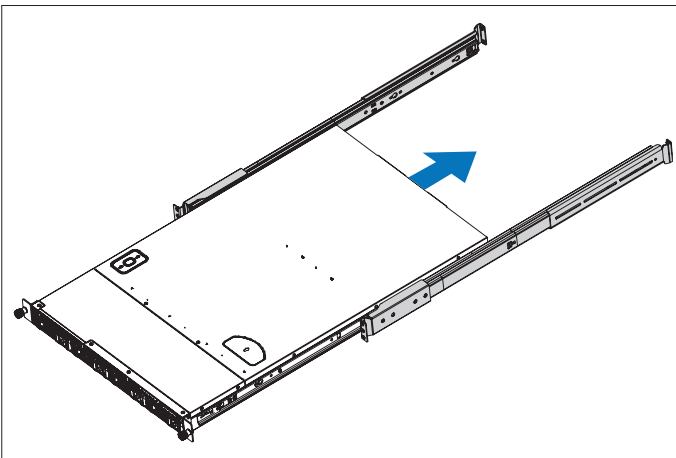
 **주의** : 랙에 시스템을 설치하기 전에 독립형 (단일) 랙에 전면 및 측면 고정 장치를 설치하거나 다른 랙과 연결된 랙에 전면 고정 장치를 설치하십시오. 랙에 시스템을 설치하기 전에 고정 장치를 적절히 설치하지 않으면 랙이 넘어질 수 있으며 경우에 따라 부상을 입을 수도 있습니다. 따라서 랙에 구성요소를 설치하기 전에 항상 고정 장치를 설치하십시오.

 **주의** : 대부분의 수리 작업은 공인된 서비스 기술자만 수행할 수 있습니다. 사용자는 제품 설명서에서 허가한 경우나 온라인 또는 전화서비스/지원팀에서 지시한 경우에만 문제 해결 절차 및 단순 수리 작업을 수행할 수 있습니다. Dell 의 승인을 받지 않은 서비스 작업으로 인한 손상에 대해서는 보상을 받을 수 없습니다. 제품과 함께 제공된 안전 지침을 읽고 따르십시오.

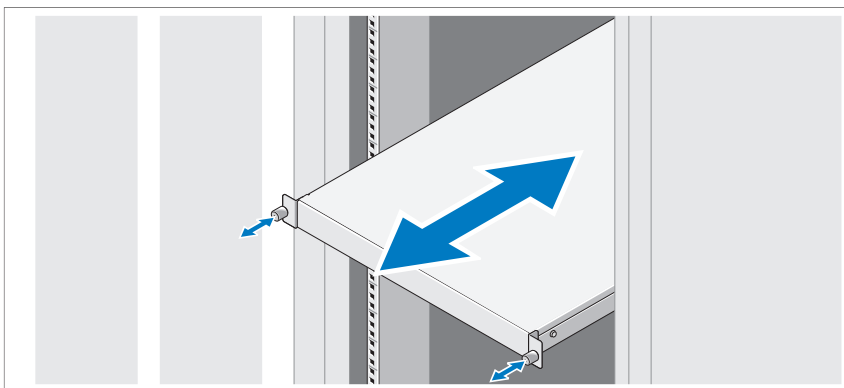
- 1 랙에 슬라이딩 레일을 설치합니다.



- 2 안쪽 레일을 랙의 슬라이딩 레일에 맞춘 다음 잠금 래치가 체자리에 고정될 때까지 시스템을 슬라이딩 레일 안으로 밀어 넣습니다.




- 3 시스템을 랙 안으로 밀어 넣은 다음 나비 나사를 조여 시스템 모서리를 랙 전면면에 고정합니다.

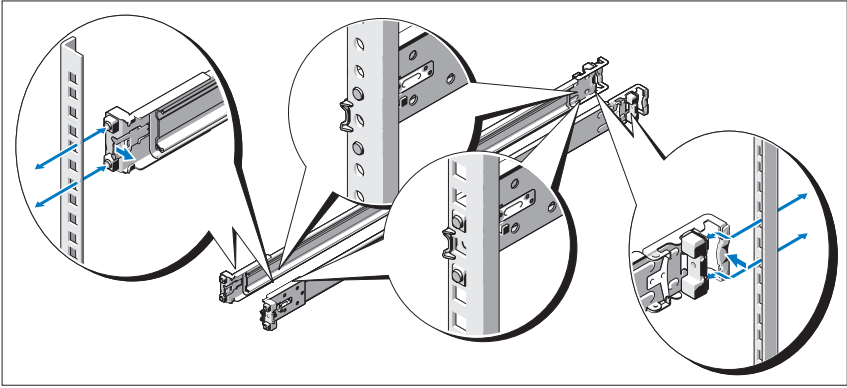


### 도구를 사용하지 않은 레일 솔루션 설치

- ⚠ 경고 : 시스템을 옮겨야 하는 경우에는 반드시 다른 사람의 도움을 받으십시오. 부상당할 우려가 있으므로 시스템을 혼자 들지 마십시오.
- ⚠ 경고 : 시스템은 랙에 고정되거나 레일에 장착되어 있지 않습니다. 부상이나 시스템 손상을 방지하려면 설치 또는 제거 시 시스템 랙을 적절한 방법으로 지지해야 합니다.
- △ 주의 : 랙에 시스템을 설치하기 전에 독립형 (단일) 랙에 전면 및 측면 고정 장치를 설치하거나 다른 랙과 연결된 랙에 전면 고정 장치를 설치하십시오. 랙에 시스템을 설치하기 전에 고정 장치를 적절히 설치하지 않으면 랙이 넘어질 수 있으며 경우에 따라 부상을 입을 수도 있습니다. 따라서 랙에 구성요소를 설치하기 전에 항상 고정 장치를 설치하십시오.
- △ 주의 : 사각 구멍 랙에 레일을 설치할 때는 사각 페그가 사각 구멍을 통과하는 것이 중요합니다.

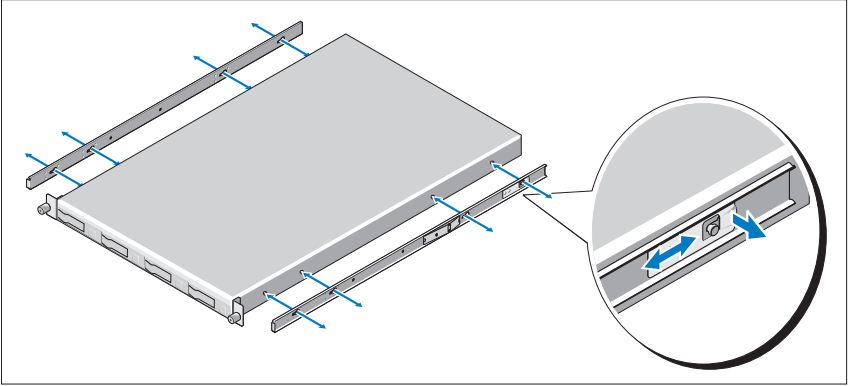
- 1 레일의 끝 부분을 수직 랙 플랜지에 맞추어 첫 번째 U의 아래쪽 구멍 및 두 번째 U의 위쪽 구멍에 페그를 장착하고 래치가 제자리에 고정될 때까지 레일의 뒤쪽 끝을 고정합니다.

 **주:** 레일은 사각형 및 원형 구멍 랙 모두에 사용할 수 있습니다.

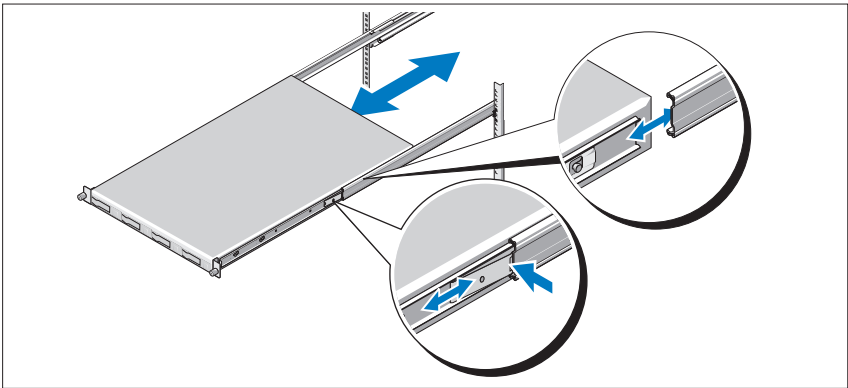


- 2 이 단계를 반복하여 수직 플랜지에 앞쪽 끝 부분을 배치하고 장착합니다.
- 3 레일을 분리하려면 끝 부분 중간 지점에 있는 분리 래치 단추를 당겨 각 레일을 분리합니다.

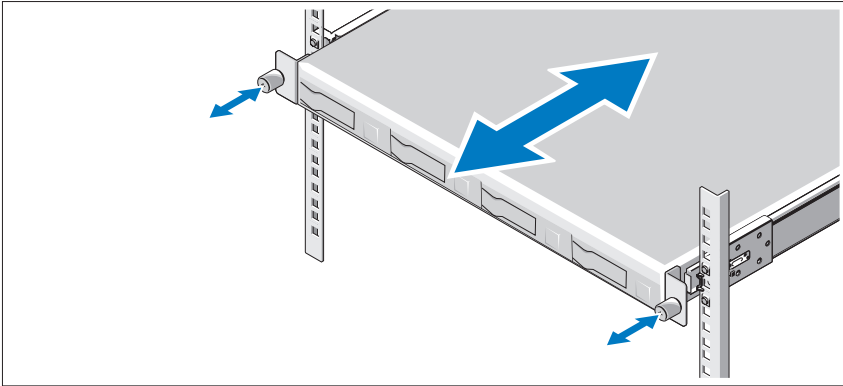
- 4 새시 레일에 있는 4개의 열쇠 구멍 슬롯을 시스템의 해당 편에 맞춘 다음 제자리에 고정될 때까지 새시 레일을 시스템 후면 쪽으로 밀니다.



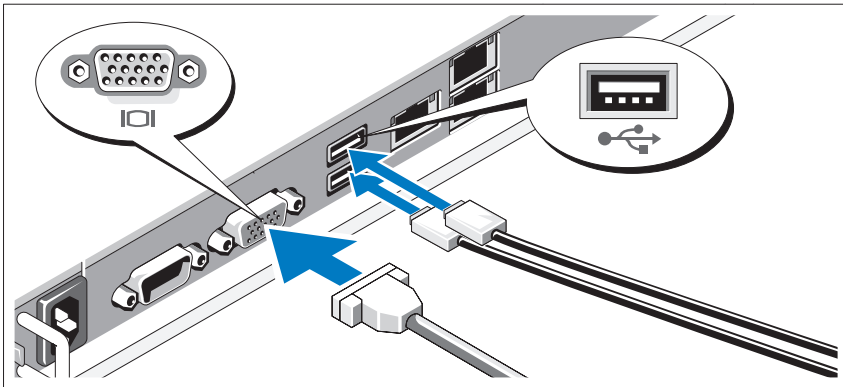
- 5 새시 레일의 끝을 레일의 끝에 맞추어 삽입한 다음 새시 레일이 제자리에 고정될 때까지 시스템을 안쪽으로 밀니다.



- 6 시스템 전면 가까이 있는 청색 탭을 밀거나 당겨 시스템을 랙에 밀어 넣습니다. 나비 나사를 조여 시스템 모서리를 랙 전면에 고정합니다.



### 선택 사양 - 키보드 , 마우스 및 모니터 연결

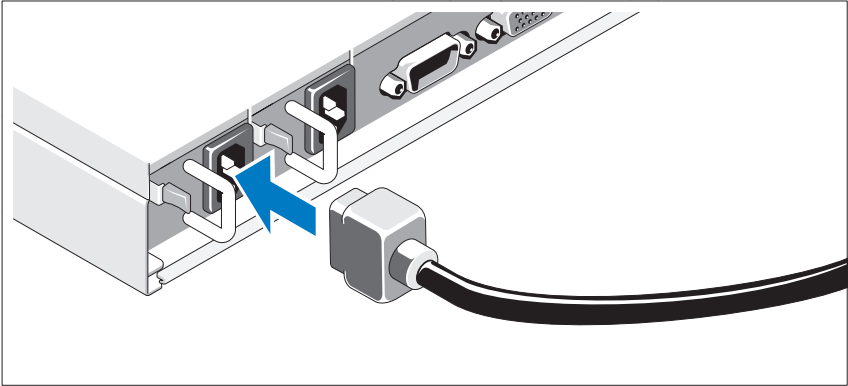


키보드, 마우스 및 모니터(선택 사양)를 연결합니다.

시스템 후면에 있는 커넥터에는 각 커넥터에 연결될 케이블이 표시된 아이콘이 있습니다. 모니터의 케이블 커넥터에 있는 나사(해당하는 경우)를 단단히 고정하십시오.

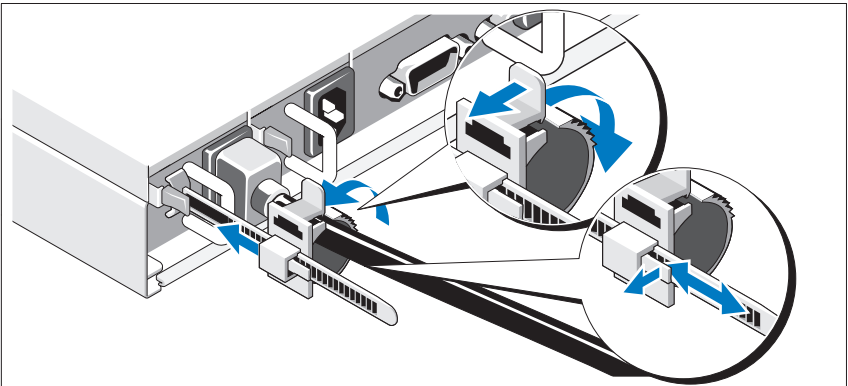


## 전원 케이블 연결



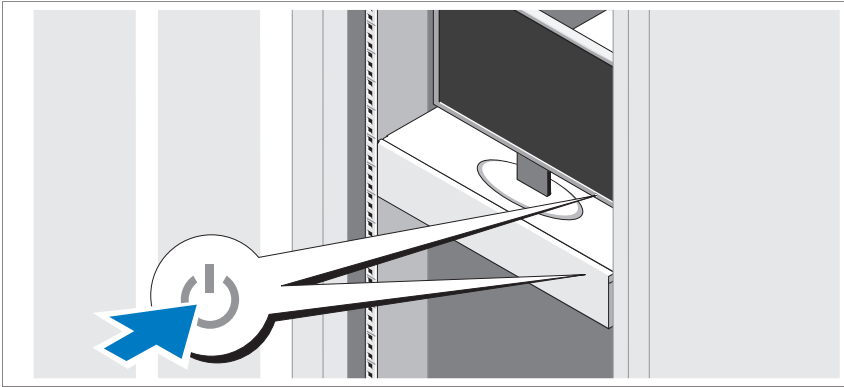
시스템의 전원 케이블을 시스템에 연결하고, 모니터를 사용하는 경우 모니터의 전원 케이블을 모니터에 연결합니다. 전원 케이블의 반대쪽 끝을 접지된 전원 콘센트나, UPS (무정전 전원 공급 장치) 또는 PDU (배전 장치)와 같은 별도의 전원에 연결합니다.

## 전원 케이블 고정



고정 장치의 래치를 분리하고 고정 고리를 스트립의 끝 쪽으로 당깁니다. 고정 고리를 열고 전원 케이블을 삽입합니다. 고정 고리를 닫고 가능한 한 시스템에 밀착될 때까지 뒤로 밀니다. 전원 케이블이 시스템에 고정되어 있는지 확인합니다.

## 시스템 켜기




시스템과 모니터의 전원 단추를 누릅니다. 전원 표시등이 켜집니다.

## 운영 체제 설치 완료


운영 체제를 설치하려면 운영 체제 설치 및 구성 설명서를 참조하십시오.  
시스템과 함께 구입하지 않은 하드웨어 또는 소프트웨어를 설치하기 전에  
운영 체제가 설치되어 있는지 확인하십시오.

## 지원되는 운영 체제

- Red Hat® Enterprise Linux® 5.4 Standard Edition(x64)
- Red Hat Enterprise Linux 5.4 Standard Edition(x86)
- SUSE® Linux Enterprise Server 11(x86\_64)
- Citrix® XenServer™ Enterprise Edition 5.x
- VMware® ESX Server 버전 4.0, 업데이트 1


 **주:** 지원되는 운영 체제에 대한 최신 정보는 [support.dell.com](http://support.dell.com)을 참조하십시오.

## 기타 필요한 정보

 **경고 :** 시스템과 함께 제공된 안전 및 규제 정보를 참조하십시오. 보증 정보는 이 문서에 포함되거나 별도의 문서로 제공될 수 있습니다.

하드웨어 소유자 매뉴얼에서는 시스템 기능에 대한 정보를 제공하고 시스템 문제 해결 방법 및 시스템 구성요소 설치 또는 교체 방법을 설명합니다. 이 문서는 [support.dell.com/manuals](http://support.dell.com/manuals)에서 온라인으로 볼 수 있습니다.

Dell 시스템 관리 응용프로그램 설명서에서는 시스템 관리 소프트웨어를 설치하고 사용하는 방법에 대한 정보를 제공합니다. 이 문서는 [support.dell.com/manuals](http://support.dell.com/manuals)에서 온라인으로 볼 수 있습니다.

 **주:** 새로운 업데이트가 없는지 [support.dell.com/manuals](http://support.dell.com/manuals)에서 항상 확인하십시오. 업데이트에는 최신 정보가 수록되어 있으므로 다른 문서를 읽기 전에 반드시 먼저 참조하시기 바랍니다.

# 기술 사양

---

## 프로세서

---

프로세서 종류 Intel® Xeon® 5500 또는 5600 시리즈 프로세서(코어 프로세서 최대 6개) 1개 또는 2개

---

## 확장 버스

---

버스 종류 PCI Express Generation 2

확장 슬롯  
PCIe 절반 길이, 전체 높이 x16 1개

메자닌 카드/도터 카드 슬롯  
PCIe 사용자 정의 슬롯 x4 2개

---

## 메모리

---

아키텍처 ECC(오류 수정 코드)가 내장된 1067 및 1333 MHz DDR-3 레지스터된 메모리 모듈

메모리 모듈 소켓 240핀 DIMM 18개

메모리 모듈 용량 2 GB, 4 GB 또는 8 GB

최소 RAM 12 GB RAM

최대 RAM 144 GB RAM

---

## 드라이브

---

하드 드라이브 3.5인치 핫 스왑 가능 SAS/SATA 하드 드라이브 최대 4개  
또는  
2.5인치 핫 스왑 가능 SAS/SATA/SSD 하드 드라이브 최대 10개

---

## 커넥터

---

### 후면

NIC	내장형 10/100/1000 Mbps 이더넷용 RJ-45 2개
KVM over IP 포트	원격 관리 액세스 전용 이더넷 포트
직렬	9핀, DTE, 16550 호환
USB	4핀 2개, USB 2.0 호환
비디오	15핀 VGA

### 전면

USB(3.5 인치 새시 전용)	4핀 2개, USB 2.0 호환
-------------------	-------------------

---

## 비디오

---

비디오 종류	AST2050 비디오 컨트롤러, VGA 커넥터
비디오 메모리	8 MB

---

## 전원

---

### AC 전원 공급 장치(중복 및 비중복)

와트	650 W
전압	115 ~ 230 VAC, 50/60 Hz, 8/4 A
열 손실	최대 2217.8 BTU/hr
최대 유입 전류	일반적인 라인 상태 및 전체 시스템의 주변 작동 범위에서는 유입 전류가 10ms 이하인 동안 전원 공급 장치마다 60A에 달할 수 있습니다.

### 전지

시스템 전지	CR 2032 3.0V 리튬 코인 셀
ROMB 전지 (선택 사양)	3.7 V 리튬 이온 전지 팩

---

## 규격

---

높이	70.6 cm (27.8인치)
폭	43 cm (16.9인치)
깊이	4.3 cm (1.6인치)
무게(최대 구성 시)	18.5 kg (40.7 lb)
무게(비어 있을 경우)	6.8 kg (14.9 lb)

---

## 환경적 특성

---

특정 시스템 구성을 위한 환경 측정에 대한 자세한 내용은 [www.dell.com/environmental\\_datasheets](http://www.dell.com/environmental_datasheets)를 참조하십시오.

### 온도

작동 시 10° ~ 35° C (50° ~ 95° F), 시간당 최고 10° C의 온도 변화 기준  
**주: 2,950피트 이상의 고도에서 최대 작동 온도는 1° F/550 ft로 감소됩니다.**

보관 시 -40° ~ 65° C (-40° ~ 149° F), 시간당 최고 20° C의 온도 변화 기준

### 상대 습도

작동 시 8 ~ 85% (비응축), 시간당 최고 10%의 습도 변화 기준

보관 시 5 ~ 95% (비응축)

### 최대 진동

작동 시 5 ~ 350 Hz에서 0.26 Grms

보관 시 10 ~ 250 Hz에서 15분 동안 1.54 Grms

### 최대 충격

작동 시 작동 방향으로 2.6 ms 동안 (+) z축으로 31 G의 충격 펄스 1회(시스템 각 면에 1회의 펄스)

보관 시 최대 2 ms 동안 (+/-) x, y, z축으로 71G의 연속 충격 펄스 6회(시스템 각 면에 1회의 펄스)

속도가 686 cm/초(270인치/초)인 32 G 구형과 펄스의 (+/-) x, y, z축으로 연속 충격 펄스 6회(시스템 각 면에 1회의 펄스)

### 고도

---

## 환경적 특성 ( 계속 )

---

작동 시	-16 ~ 3,048 m (-50 ~ 10,000 ft) <b>주: 2,950</b> 피트 이상의 고도에서는 최대 작동 온도가 1° F/ <b>550</b> ft로 감소됩니다.
보관 시	-16 ~ 12,000 m (-50 ~ 35,000 ft)
공기 중 오염 물질 수준 등급	ISA-S71.04-1985의 규정에 따른 G2 이하

