

Dell™ Mobile Computing Station

The Dell Mobile Computing Station transports and charges twenty-four, 10" Latitude™ 2100 Netbook PCs and includes a wireless router for remote networking.



FCC Compliance Statement - Managed Mobile Computing Station only

This Mobile Computing Station has been tested and found to comply with the limits for a Class A digital device, pursuant to Part 15 of the FCC rules. These limits are designed to provide reasonable protection against harmful interference when the equipment is operated in a commercial environment. This equipment generates, uses, and can radiate radio frequency energy and, if not installed and used according to the instructions, may cause harmful interference to radio communications. Operation of this device in a residential area is likely to cause harmful interference in which case the user will be required to correct the interference at their own expense.

Operation of this device is subject to the following two conditions: (1) this device may not cause harmful interference, and (2) this device must accept any interference received, including interference that may cause undesired operation.

FCC Caution: Changes or Modifications not expressly approved by Ergotron could void the user's authority to operate the equipment.

FCC Radiation Exposure Statement: This equipment complies with FCC radiation exposure limits set forth for an uncontrolled environment. End users must follow the specific operating instructions for satisfying RF exposure compliance. This equipment should not be co-located or operating in conjunction with any other antenna or transmitter. The minimum separation distance from the antenna to the general bystander is 7.9 inches (20 CM) to maintain compliance. This Class A digital apparatus complies with Canadian ICES-003. / Cet appareil numérique de la classe A est conforme à la norme NMB-003 du Canada.

Contains FCC ID: Q87-WRV54400NV11
IC ID: 3829A-WV54NV11



NOTE: Some devices may not be included if you did not order them.



NOTE: Refer to separate product guides for Netbooks, router and optional Ethernet switch.



Hazard Symbols Review

These symbols alert users of a safety condition that demands attention. All Mobile Computing Station users should be able to recognize and understand the significance of the following Safety Hazards if encountered on the Mobile Computing Station or within Mobile Computing Station documentation. Children who are not able to recognize and respond appropriately to Safety Alerts should not use the Mobile Computing Station without adult supervision!

Symbol	Signal Word	Level of Hazard
	NOTE	A NOTE indicates important information that helps you make better use of your Mobile Computing Station.
	CAUTION	A CAUTION indicates either potential damage to hardware or loss of data and tells you how to avoid the problem.
	WARNING	A WARNING indicates either potential for property damage, personal injury, or death.
	ELECTRICAL	An Electrical indicates an impending electrical hazard which, if not avoided, may result in personal injury, fire and/or death.

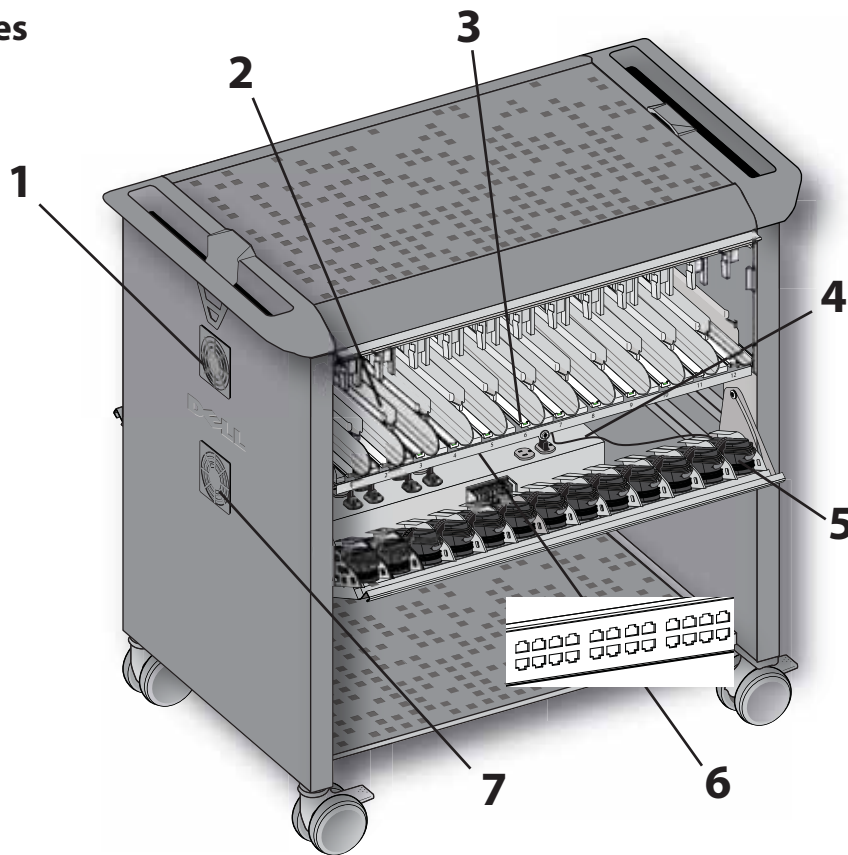
May 2009



FOR SERVICE CALL (800) 888-8458
OR VISIT www.ergotron.com/Dell

Dell™ Mobile Computing Station

Interior Features



Upper Compartment

1 Motorized Fan

- automatically-controlled fan operates in tandem with lower compartment fan

CAUTION: Do not block fans and vent openings.

To prevent overheating, leave at least 5" (127 mm) clearance around fans and vents.

2 Netbook Storage

- storage and simultaneous charging for twenty-four 10" Latitude™ 2100 Netbooks
- charge status of individual netbooks is visible when compartment is open

3 Intuitive Docking

- dock profile matches Netbook to prevent user from inserting netbook the wrong way
- dock and un-dock using just one hand
- tab at front of each dock ensures positive seating of power and network connectors with netbooks
- green tab indicates netbook is seated properly for charging
- exclusive design accepts both standard and touch-screen Latitude™ 2100 netbooks, in 3 cell or 6 cell battery configurations

CAUTION: Electrically operated equipment. This is not a toy.

To avoid risk of electric shock or fire the Mobile Computing Station should not be used without adult supervision.

Lower Compartment

4 Power Control Unit Box houses

- circuit breakers
- 24 outlets are factory connected to Netbook AC adapters
- 3 internal accessory outlets factory connected to:
 - 25th AC adapter
 - wireless router
 - Ethernet switch (managed cart only)
- open (4th) internal outlet must not be used

CAUTION: Do not connect equipment to open outlet(s).

5 AC Adapters

- 24 adapters factory connected to docks in upper compartment
- 25th adapter provides power distribution to Power Control Unit.

CAUTION: Only Dell, 90-watt adapters should be used in cradles.

6 Optional Ethernet Switch - Managed Station Only

- 24 ports, factory connected
- allows remote network updates to docked Mobile Computing Station netbooks

7 Motorized Fan

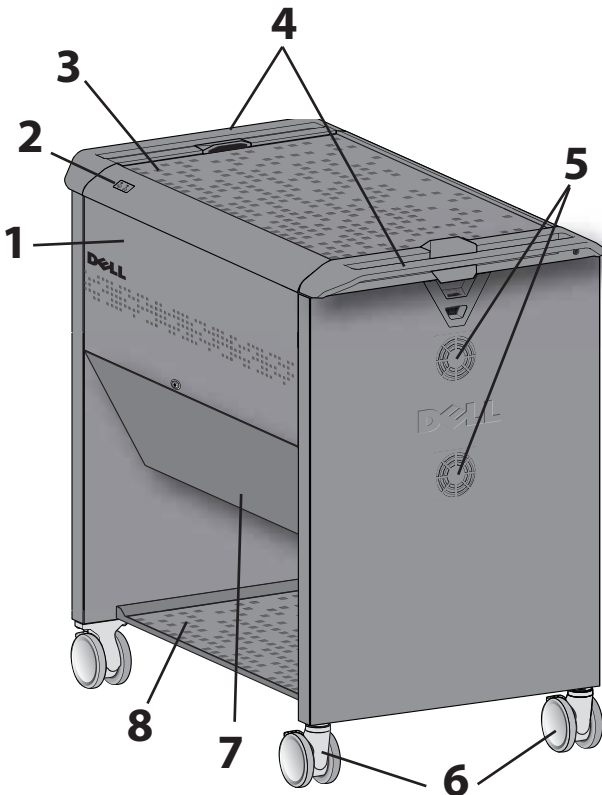
- automatically-controlled fan operates in tandem with upper compartment fan

CAUTION: Do not block fans and vent openings.

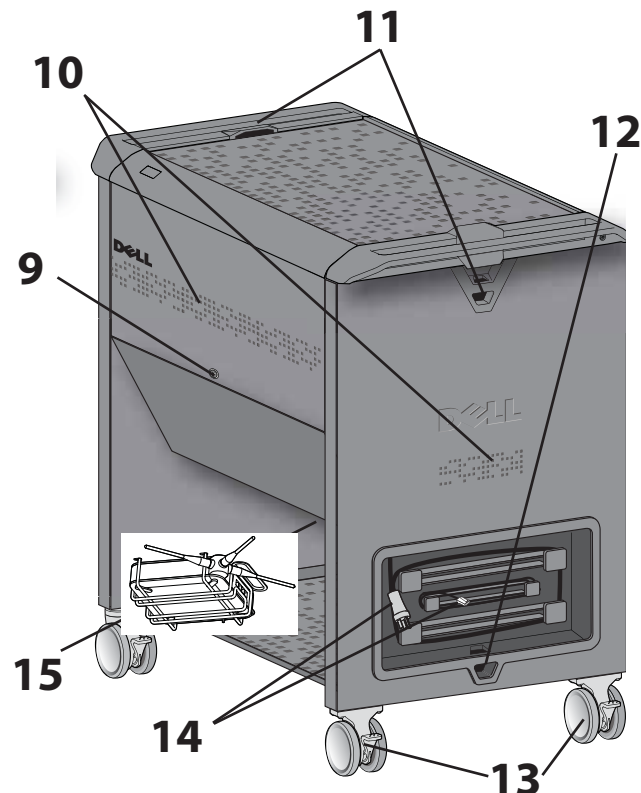
To prevent overheating, leave at least 5" (127 mm) clearance around fans and vents.

Dell™ Mobile Computing Station

Exterior Features



Front and Left Side View



Back and Right Side View

1 Retractable Doors (upper compartment)

- upper doors stow under work surface for unobstructed access to Netbooks without changing Mobile Computing Station footprint; when closed, upper doors overlap lower doors and conceal locks



CAUTION: Keep doors locked when Mobile Computing Station is unattended or in transit.

2 Power/Fault Status Indicator

- conveniently displays Mobile Computing Station fault and power indicators at work-top level

3 Work Surface with Anti-static Mat

- maximum weight capacity: 25 lbs (11.4 kg)

4 Ergonomic Handles

- positioned at each end of Mobile Computing Station for optimum comfort and maneuverability

5 Fan Guards

- allow air flow and offer protection from fan blades



CAUTION: Do not block fan or vent openings.

To prevent overheating, leave at least 5" (127 mm) clearance around fans and vents.

6 Rotating Front Casters

- 4 inch (101 mm) rotating casters for easy steering and moving over thresholds; casters can be locked to prevent rolling

7 Locking, Hinged Doors (lower compartment)

- when closed, AC Adapters and Power Control Unit are concealed
- Risk of Shock label on door alerts adults to prohibit children from opening lower compartment



ELECTRICAL: Always disconnect Mobile Computing Station power cord from wall outlet before opening lower compartment. Do not allow children to open lower compartment.

8 Lower Storage Shelf with Anti-skid Mat

- maximum weight capacity: 25 lbs (11.4 kg)

9 Keyed Locks

- 4 locks: one on each upper compartment door, one on each lower compartment door
- all four locks open with same key (4 keys are provided)

10 Ventilation System

- vents on sides and back promote air flow, contents of compartments remain hidden from view

11 Theft Deterrent Loops

- heavy-duty loops are located near each handle

12 Mobile Computing Station Security

- heavy-duty loop at the recessed cable management area to anchor Mobile Computing Station to the wall or floor

13 Fixed Rear Casters

- 4 inch (101 mm) fixed casters for easy maneuvering
- casters can be locked to prevent rolling

14 External Cable Management Bay

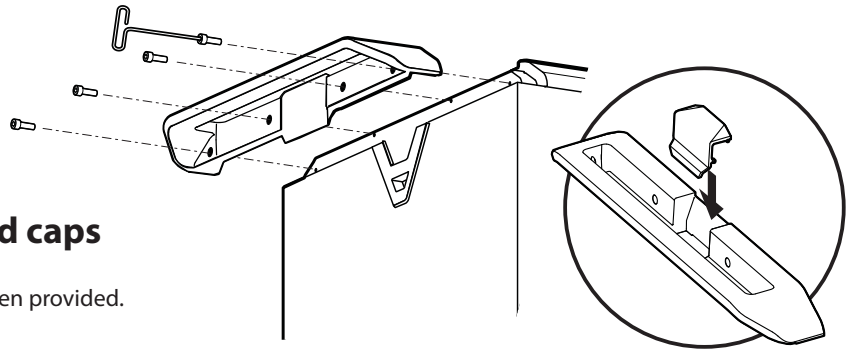
- includes 8 foot (2.4 m) power cord and 10 foot (3 m) Ethernet cable
- keeps Mobile Computing Station power cord and Ethernet cable organized, protected and at-hand

15 Wireless Router

- tucked beneath lower compartment for easy access
- wire guard protects the router from damage

Set-Up and Go

CAUTION: Observe all safety precautions related to Mobile Computing Station operation and maintenance included in this reference guide!



1 Attach left and right handles and caps

Eight screws (four at each handle) and a hex tool have been provided. Each handle has a cap that snaps into place.

2 Netbook Docking

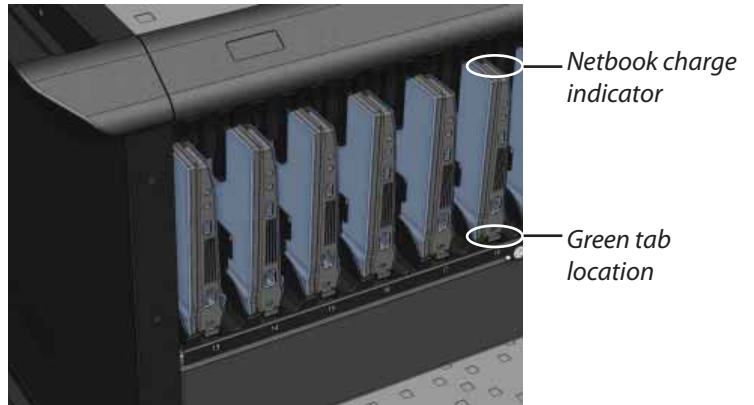
Open top compartments: unlock door, lift door up and out (to clear holding tab), allow door to drop slightly, then lift up and push under work top.

Insert netbooks into docks with front edge of netbook at top and power /Ethernet connectors leading into station.

The green tab at the front of the dock will be visible if the netbook has been properly seated.

Charging activity can be viewed at the top edge of each netbook when docked.

WARNING: Pinch Point Hazard. Make sure area is clear before closing upper door. Support upper door with both hands when closing.



CAUTION: There is no on/off switch on this equipment; the AC power cord is the only power disconnect. The socket outlet should be easily accessible and should be installed near the equipment.

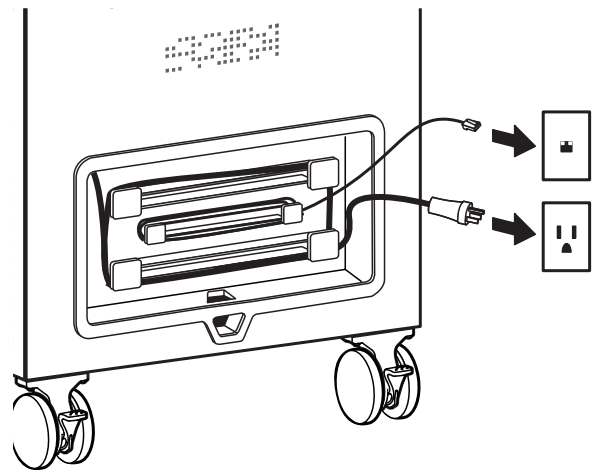
3 First Time Battery Charge

Before using the netbooks for the first time or after spending time in storage, ensure netbooks have a full (100%) charge.

Connect power cord to a dedicated circuit, (one not shared with other devices).

Verify that the blue light on the Power/Fault Status Indicator at the work-top is lit.

Allow netbooks to charge for at least 2-3 hours before removing for first-time use.



Monitoring Netbook Power

The Power/Fault Status Indicator lights at the top of the Mobile Computing Station communicate the following conditions.

Power/Fault Status Indicator

Signal

Meaning



Blue light - Solid

Power "ON"



Amber light - Flashing

Maximum temperature has been exceeded

* When recommended temperature has been exceeded, power to Netbooks is terminated until the temperature falls into an acceptable operating range, at which time charging resumes.

NOTE: Charge status of individual netbooks can be seen directly on netbooks when docked and the upper compartment doors are open.


Troubleshooting

Problem	Possible Cause	Solution
Netbook(s) not charging.	Wall power may not be reaching the Mobile Computing Station Netbooks due to <ul style="list-style-type: none"> • unplugged power cord • improper docking of Netbook(s) • tripped electrical circuit 	<ul style="list-style-type: none"> • Ensure that power cord is plugged-into a wall outlet. • Verify that Netbook is docked properly: the green tab at the edge of the dock should be visible. • Check facility circuit breakers. • If another electrical device is sharing the same circuit as the Mobile Computing Station, unplug the other device.
Power/Fault Status Amber Indicator light is flashing.	Indicates possible overheating.	<ul style="list-style-type: none"> • Ensure areas around the fans and vents are unobstructed. • Take measures to reduce room temperature below 86° F (30° C). • Power cord should remain plugged-in so that the fans continue to operate. Once the temperature has dropped to a safe level, charging will resume.

For problems not addressed above, please Contact Ergotron, Inc., at (800) 888-8458
OR VISIT www.ergotron.com/Dell

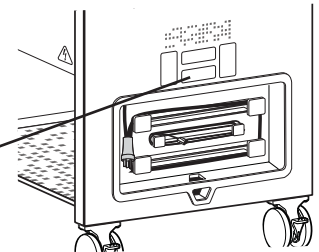
Service & Warranty

FOR SERVICE ON DELL Mobile Computing Station
CALL (800) 888-8458 OR VISIT www.ergotron.com/Dell

 **NOTE:** When contacting customer service, please reference the serial number located above the external cable management bay.



Serial Number is required for warranty entitlement.



Specifications

Power System

120 V~, 12 A, 60 Hz

Mobile Computing Station Physical Dimensions

Height	38.7" (982.98 mm)
Length	40" (1016 mm)
Width	24" (609.6 mm)
Weight (without Netbooks)	230 lbs (104 kg)
Weight Capacity	
Top Surface	25 lbs (11.34 kg)
Lower Shelf	25 lbs (11.34 kg)
Tip Test/Angle	10°

AC Adapters (25)

Dell Part Number: UU572

Wireless Router

Linksys WRVS4400N Wireless-N Gigabit Security Router with VPN

Managed Mobile Computing Station only Ethernet Port Switch -

Cisco SR224G, 24 port, 10/100, 2-Port Gigabit Switch + 2 mini-GBIC

Environmental

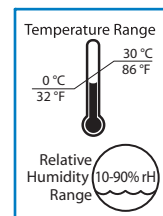
Temperature range:

Operating	32° to 86°F (0° to 30°C)
Storage	-40° to 149°F (-40° to 65°C)

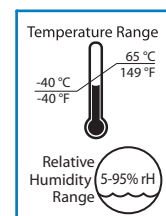
Relative humidity (maximum):

Operating	10–90% (non condensing)
Storage	5–95% (non condensing)

Altitude (maximum): 6,562 ft (2000 m)



Operational



Storage

Ergonomics and Safety Alerts

Moving Mobile Computing Station

The Mobile Computing Station is designed to be used indoors only. **Failure to observe the following safety notices may result in serious personal injury or equipment damage.**



WARNING: Before moving Mobile Computing Station:

1. Disconnect power and Ethernet cords from wall
2. Make sure cords are wrapped and secure
3. Close and lock upper and lower compartment doors
4. Remove items from the top surface and lower shelf
5. Unlock casters
6. Push (do not pull) Mobile Computing Station from back (where cable management bay is located) for optimum maneuverability and to prevent muscle strain
7. Do not move Mobile Computing Station across rough or uneven or irregular surfaces such as gravel



WARNING: Do not allow children to move Mobile Computing Station unless supervised by an adult who is familiar with all aspects of its operation.



WARNING: Do not sit, stand or climb on Mobile Computing Station. Maximum weight capacity of top surface and lower shelf is 25 lbs (11.4 kg).



CAUTION: Do not use Mobile Computing Station to transport or store equipment other than noted in this guide.



WARNING: Do not lift Mobile Computing Station from bottom.

Parking Mobile Computing Station

The Mobile Computing Station can be anchored using the heavy duty security loop located at the back of the cart (near cable management bay.) **Failure to observe the following safety notices may result in serious personal injury or equipment damage.**



CAUTION: Do Not block fans and vent openings. To prevent overheating, leave at least 5" (127 mm) clearance around fans and vents.



WARNING: Do not park the Mobile Computing Station in areas of heavy traffic.



WARNING: Do not run cables/cords through doorways, holes in ceilings, wall or floors.



WARNING: Do not run cables/cords across hallways, classrooms or other areas where they will be walked on.



WARNING: Do not leave Mobile Computing Station unattended in areas where children have access.



WARNING: Keep Mobile Computing Station doors closed and locked whenever it is unattended or parked for charging or storage.



WARNING: Do not place heavy objects on the Mobile Computing Station. Maximum weight capacity of top surface and lower shelf is 25 lbs (11.4 kg).



WARNING: Do not use the Mobile Computing Station to store liquids or cleaning supplies.



ELECTRICAL: Do not place Mobile Computing Station in close proximity to flammable liquids or gases.



ELECTRICAL: Using an incompatible cable or improperly connecting the cable to the power control unit may cause fire or equipment damage.


Cleaning and Maintenance


The Mobile Computing Station should be inspected for damage, dirt and debris on a regular basis. **Failure to observe the following safety notices may result in serious personal injury or equipment damage.**


All paints and plastic Mobile Computing Station components will withstand cleaning by most commonly used, diluted, non-abrasive solutions such as quaternary ammonia compounds, ammonia enzyme cleaners, bleach or alcohol solutions. It is recommended that any cleaning solution be tested on a small, inconspicuous area to ensure surface is not harmed.


- Pen and permanent and dry erase markers can be removed with 91% isopropyl alcohol and a soft cloth.
- Iodine stains can be removed with commonly used cleaners and a soft cloth.
- Never use steel wool or other abrasive materials that will damage the surface finish.


Ergonomics and Safety Alerts


 **ELECTRICAL:** To avoid risk of electric shock, do not expose electrical components to water, cleaning solutions or other potentially corrosive liquids or substances.


 **ELECTRICAL:** Do not immerse Mobile Computing Station or Mobile Computing Station components in liquid or allow liquids to flow into the Mobile Computing Station. Wipe all cleaners off surface immediately using a damp cloth. Thoroughly dry surface after cleaning.


 **ELECTRICAL:** Do not use flammable cleaners on Mobile Computing Station surfaces due to close proximity of electrical power and equipment.

 **CAUTION:** Adjustment, Service, Replacement - DO NOT attempt to adjust, service or replace any part of the Mobile Computing Station unless directed to do so through Ergotron-approved documentation (i.e. installation instructions). Only Ergotron, Inc. or an Ergotron-certified entity may adjust, service or replace Mobile Computing Station components. If any component on the Mobile Computing Station is missing or damaged, the Mobile Computing Station must not be used, contact Ergotron immediately to request a replacement part.

 **CAUTION:** Casters - Check casters periodically to make sure they are clean and free of debris that would prevent smooth travel. Avoid moving Mobile Computing Station across uneven, dirty or damaged surfaces.


 **CAUTION:** Customer Equipment- Make sure equipment is balanced and mounted securely to Mobile Computing Station. Contact Ergotron for information about moving Mobile Computing Station components.


 **CAUTION:** Mobile Computing Station must be periodically inspected by an adult for damage, and any broken parts replaced as necessary. If a child notices any broken or damaged parts, this should be reported to an adult so that the damaged parts can be replaced.


 **NOTE:** Cables - Keep cables neatly organized on the Mobile Computing Station (a variety of solutions are provided with your Mobile Computing Station for this purpose). Excess cables should be routed away from moving components with cable clips. Contact Ergotron for more information.


Power Cords and Equipment Cables


There are specific risks associated with the use of equipment having power cords. It is particularly important to be aware and avoid these risks when the Mobile Computing Station is located in close proximity to children. **Failure to observe the following safety notices can result in fire or death by electric shock.**


 **ELECTRICAL:** Always disconnect Mobile Computing Station power cord from wall outlet before opening lower compartment. Do not allow children to open lower compartment.

 **CAUTION:** Double Pole / Neutral Fusing.


 **ELECTRICAL:** Ethernet port not suitable for connection to circuits used outside the building and subject to lightning or power faults.

 **ELECTRICAL:** Inspect cord thoroughly before each use. DO NOT USE IF DAMAGED.


 **ELECTRICAL:** Do not plug more than specified number of watts into power system.


 **ELECTRICAL:** Do not run cord through doorways, holes in ceilings, walls or floors.


 **ELECTRICAL:** Insert plug completely into outlet.


 **ELECTRICAL:** Do not remove, bend or modify any metal prongs or pins of cord.


 **ELECTRICAL:** Do not substitute supplied AC Adaptors.


 **ELECTRICAL:** Do not use excessive force to make connections.


 **ELECTRICAL:** Keep away from water. DO NOT USE WHEN WET.


 **ELECTRICAL:** Keep children away from cord.

 **ELECTRICAL:** Keep children away from internal Mobile Computing Station components.

 **ELECTRICAL:** Do not plug cord into an extension cord.

 **ELECTRICAL:** Avoid overheating. Uncoil cord and do not cover it with any material.

 **ELECTRICAL:** Do not drive, drag or place objects over cord. Do not walk on cord.

 **ELECTRICAL:** Grasp plug to remove from outlet. Do not unplug by pulling on cord.



 **DANGER!**
Risk of Electric Shock

DANGER! ELECTRICAL CORDS CAN BE HAZARDOUS
Misuse Can Result in FIRE or DEATH by ELECTRICAL SHOCK.

Warranty

3 years for mechanical components and functions / 1 year for electrical components and functions. All 3rd party components (Ethernet Switch, Wireless Router, Dell Power Cables, and AC Adapters) will follow the warranty as defined by the manufacturer.

**CUSTOM SOLUTION FOR DELL BY ERGOTRON
FOR SERVICE CALL (800) 888-8458
OR VISIT www.ergotron.com/Dell**



© 2009 Ergotron, Inc.
All rights reserved.

While Ergotron, Inc. makes every effort to provide accurate and complete information on the installation and use of its products, it will not be held liable for any editorial errors or omissions (including those made in the process of translation from English to another language), or for incidental, special or consequential damages of any nature resulting from furnishing this instruction and performance of equipment in connection with this instruction. Ergotron, Inc. reserves the right to make changes in the product design and/or product documentation without notification to its users. For the most current product information, or to know if this document is available in languages other than those herein, please contact Ergotron. No part of this publication may be reproduced, stored in a retrieval system, or transmitted in any form or by any means, electronic, mechanical, photocopying, recording or otherwise without the prior written consent of Ergotron, Inc., 1181 Trapp Road, Eagan, Minnesota, 55121, USA Patents Pending and Patented U.S. & Foreign. Ergotron is a registered trademark of Ergotron, Inc.