

Dell Network Ready Charging Cart - 30 Devices

The Dell Network Ready Charging Cart transports, secures, charges, and manages 30 Notebooks, Chromebooks, Ultrabooks, or tablets.

Models:
ERGITD-009



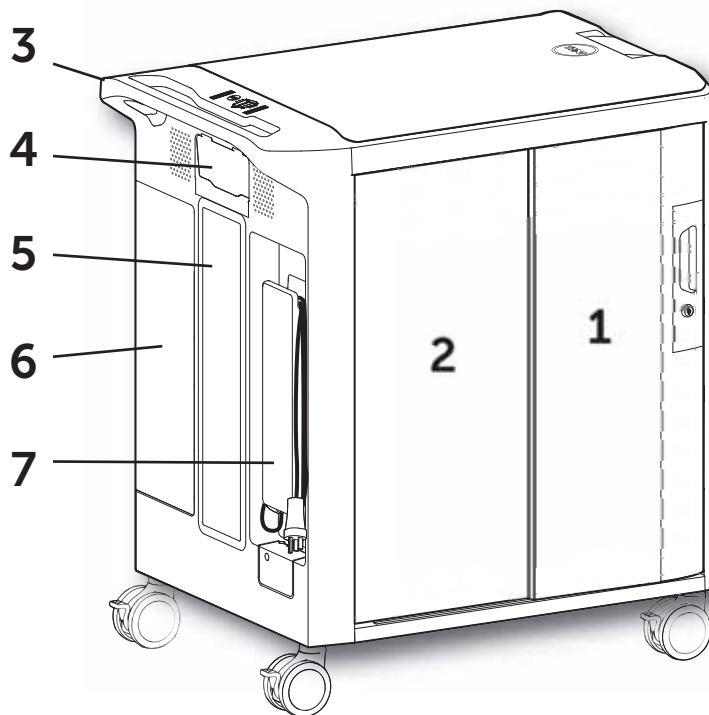
0KF7DTA00

For service, visit www.ergotron.com/Dell
or www.dell.com/support

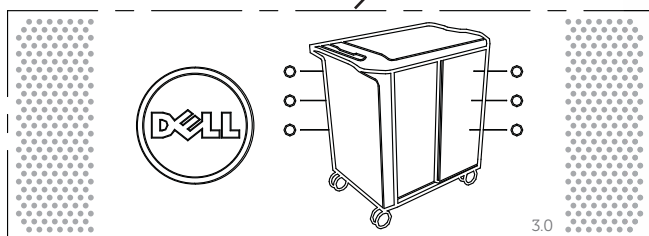
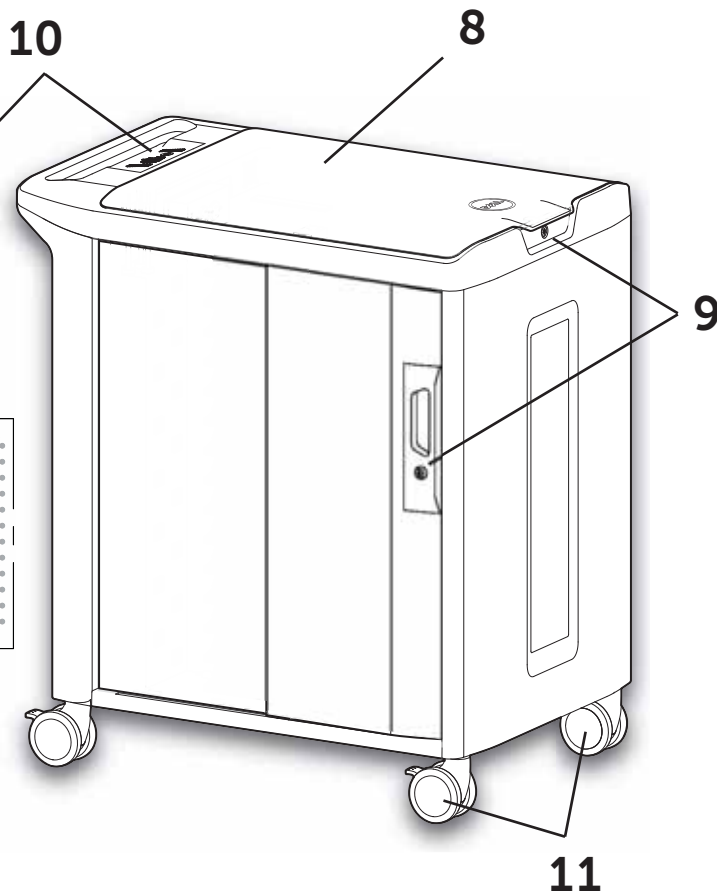
Dell Network Ready Charging Cart - 30 Devices

Exterior Features

- 1 Sliding Device Compartment Door
- 2 Power Adapter Compartment Door
- 3 Ergonomic Handle
- 4 Auxiliary Outlets
- 5 Cooling Fans
- 6 Power Management Compartment
- 7 Cord Wrap Bay



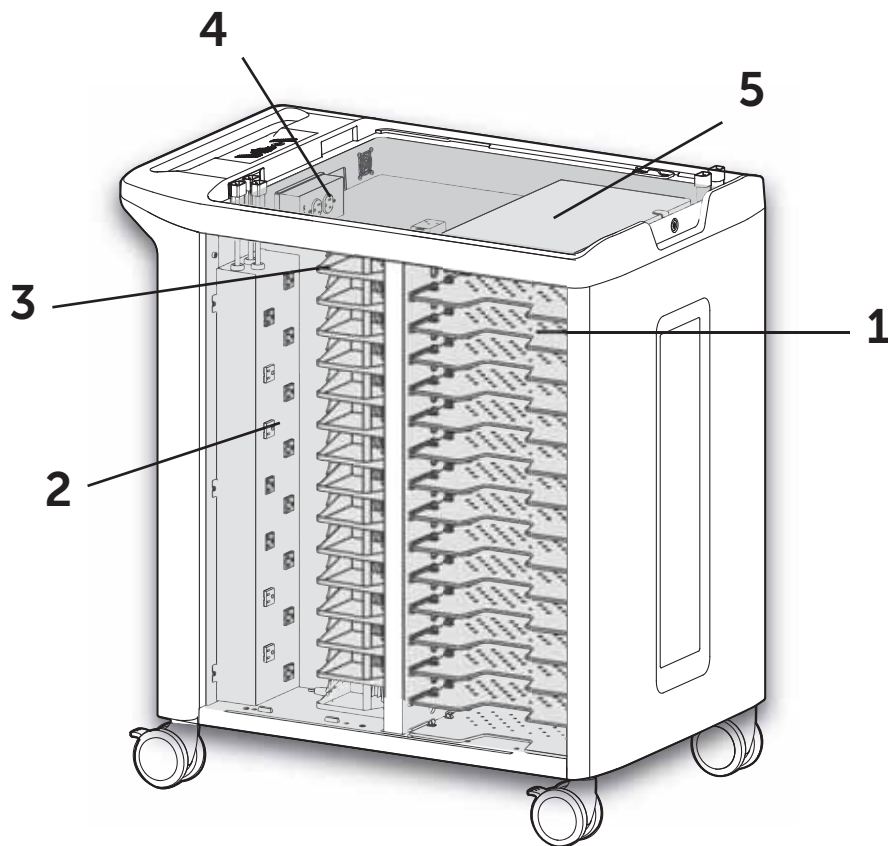
- 8 Upper Compartment
- 9 Locks
- 10 Power/ Fault Status Indicators
- 11 Casters




Dell Network Ready Charging Cart - 30 Devices

Interior Features

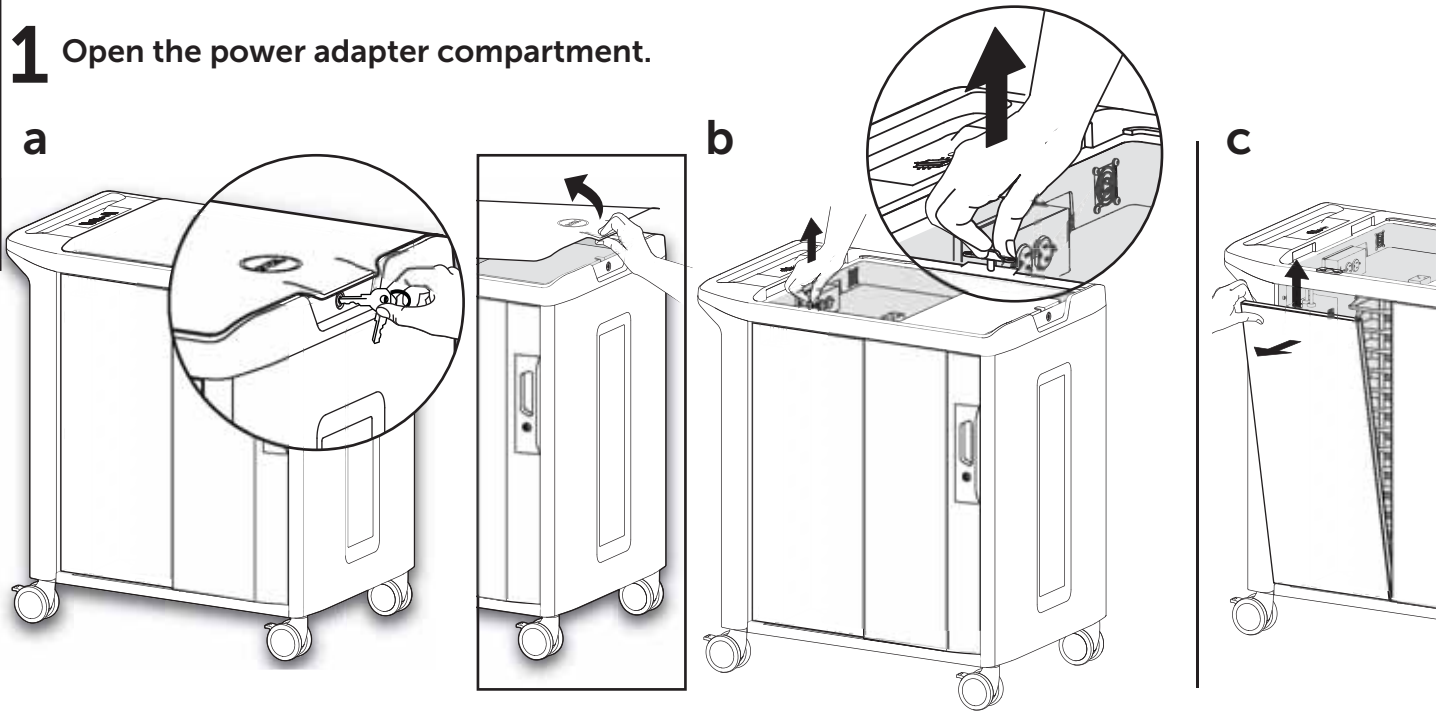
- 1 Device Shelves
- 2 Device Outlets
- 3 Adapter Shelves
- 4 Outlets
- 5 Optional Ethernet Switch (customer supplied)



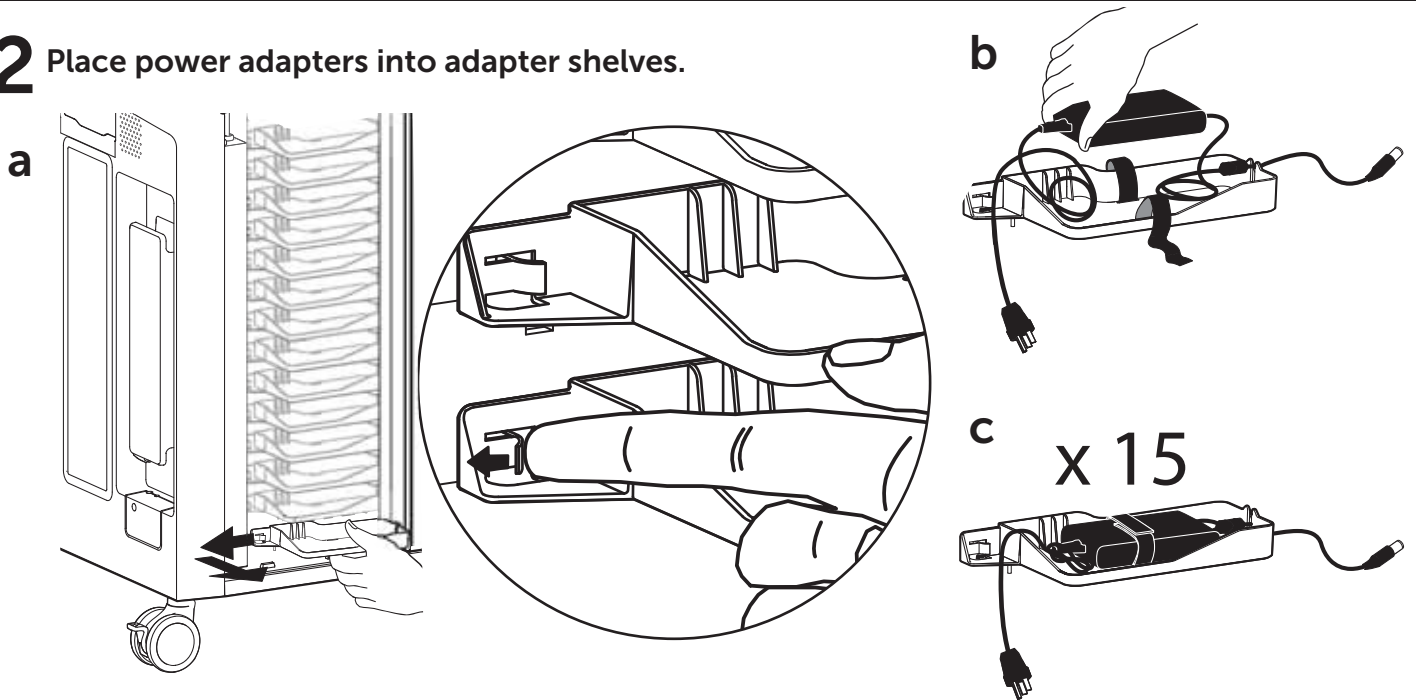
 **NOTE:** Refer to separate product guides for Mobile Devices and optional Ethernet Switch.

Set-Up and Go

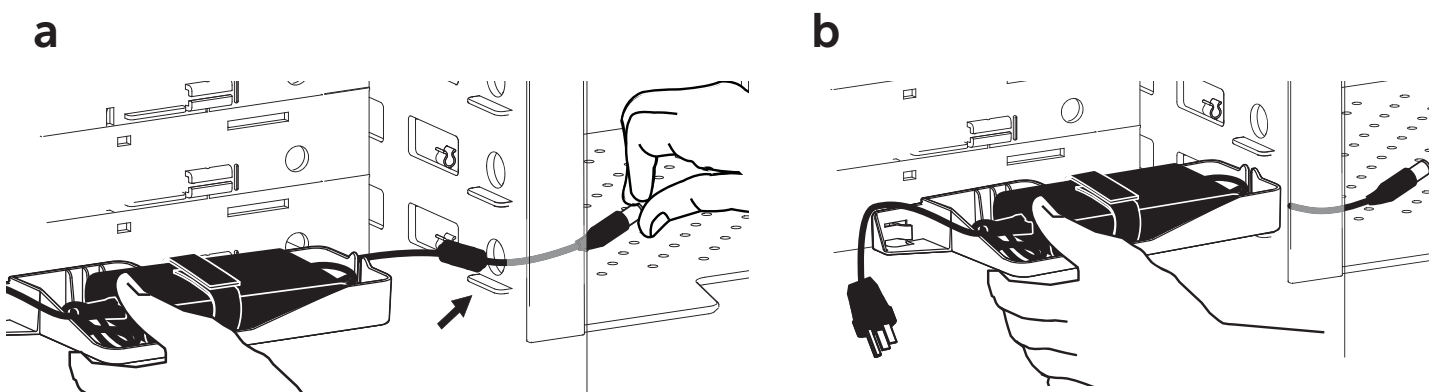
1 Open the power adapter compartment.



2 Place power adapters into adapter shelves.

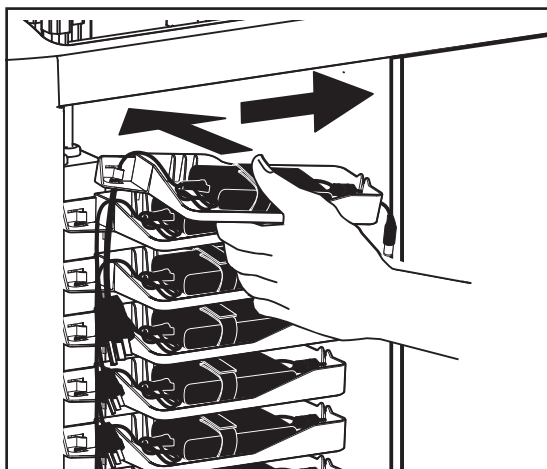


3 Route adapter connector into device compartment.

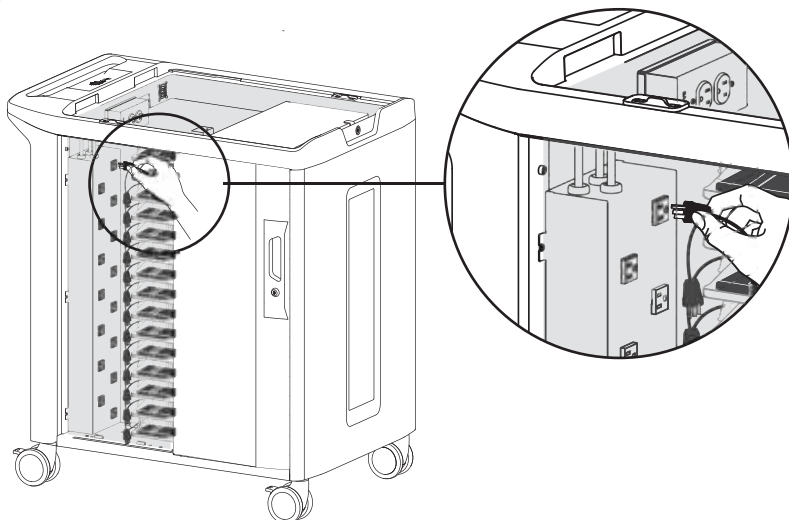


4 Plug-in adapters.

a

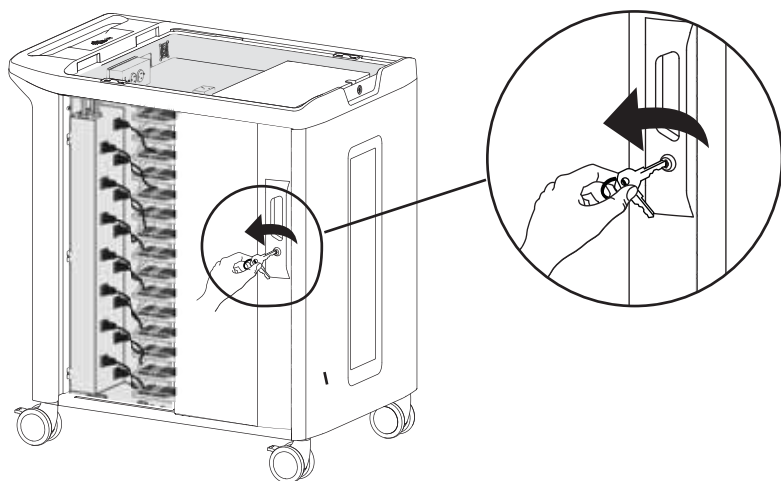


b

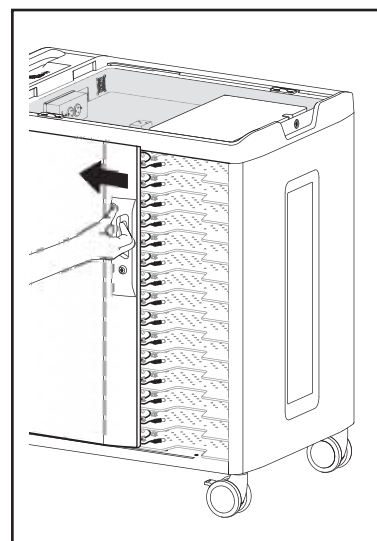


5 Insert mobile devices and connect cables.

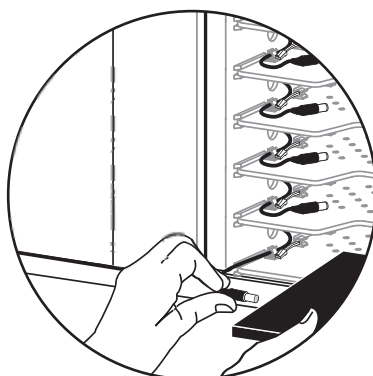
a



b



c

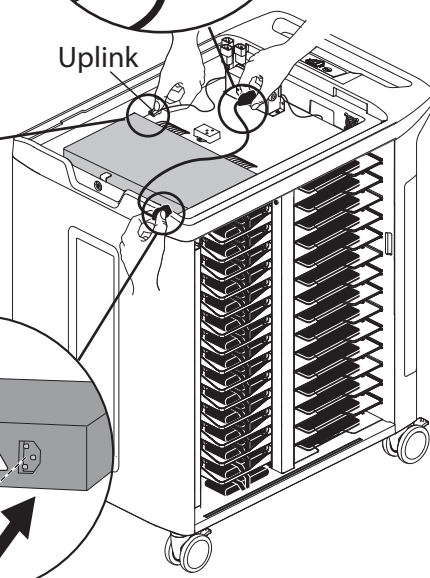
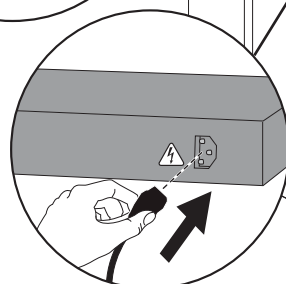
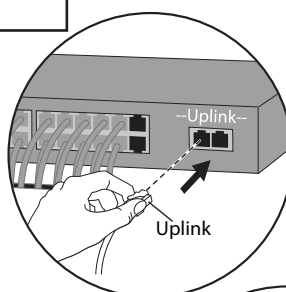
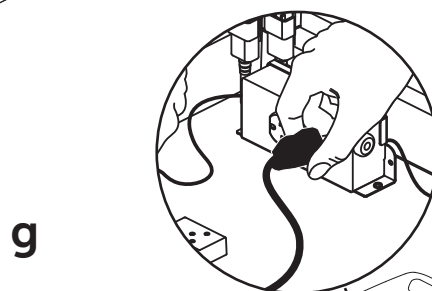
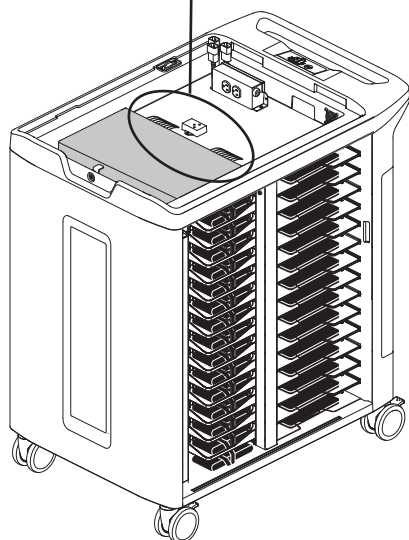
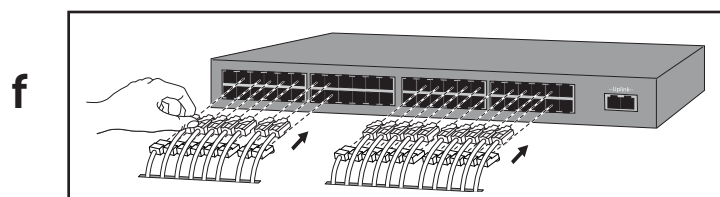
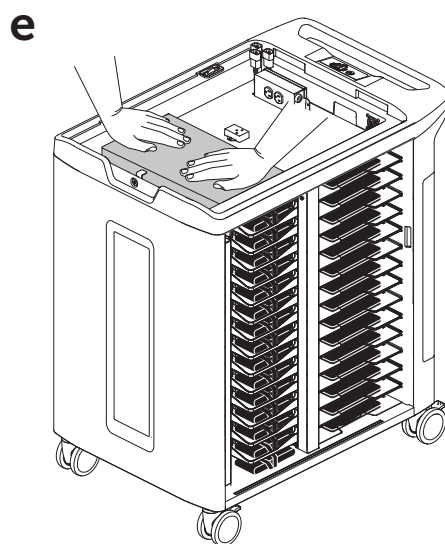
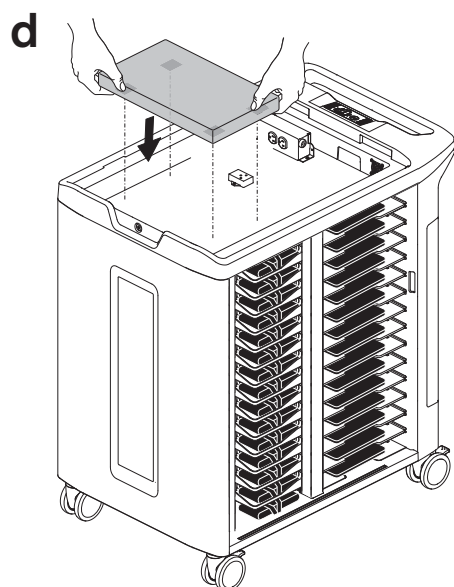
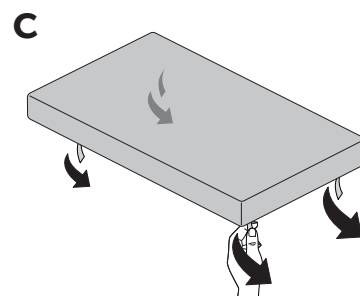
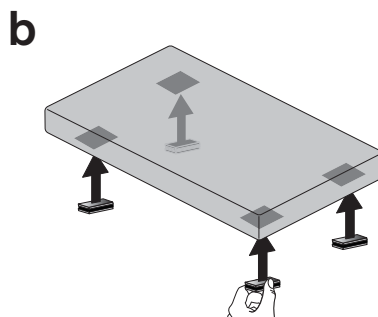
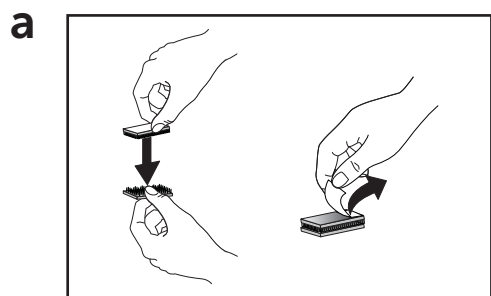


d



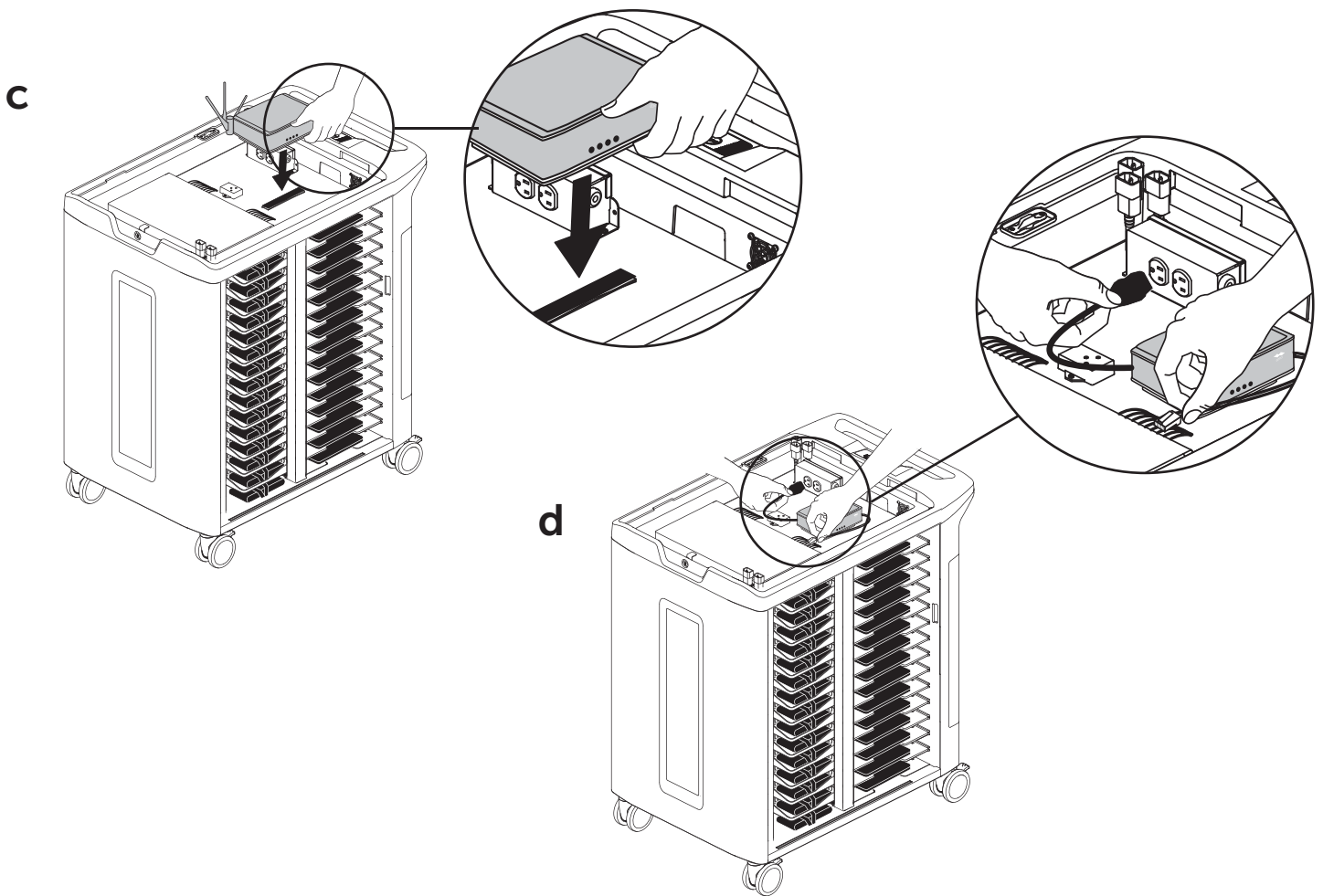
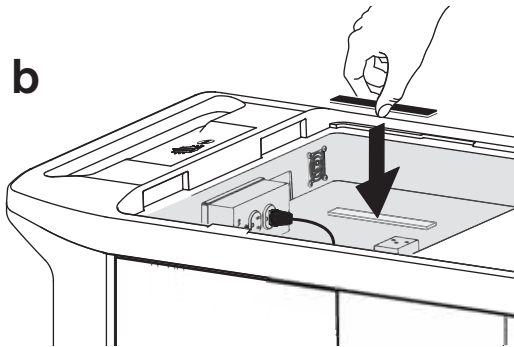
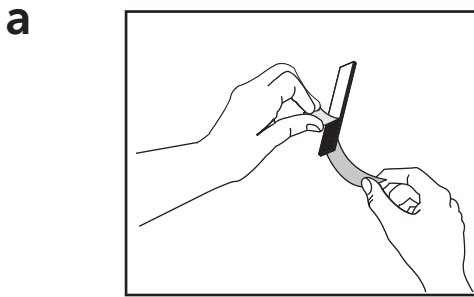
6 Optional Step - Install customer supplied Ethernet switch.

NOTE: Install optional, customer-supplied Ethernet switch using the provided Velcro strips.



7 Optional Step - Install wireless access point.

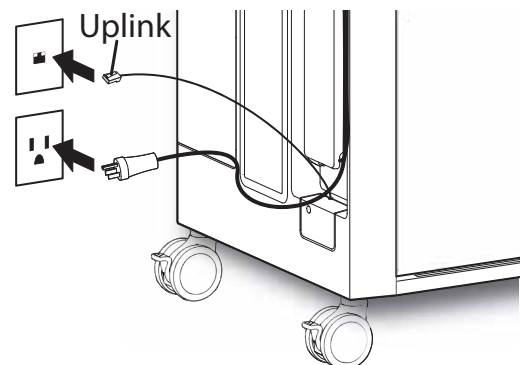
NOTE: Install optional, customer-supplied WAP using the provided Velcro.



8 Verify cart operation

Connect the cart power cable to a dedicated circuit, (one that is not being shared with other mobile devices).

Verify that the white light on the Power Indicator near the cart top surface is lit.




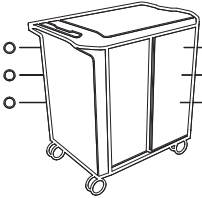

First-Time battery charge

NOTE: Before using the mobile devices for the first time or after they have spent some time in storage, ensure that the mobile devices have a full (100%) charge.

Prior to first-time use, allow the mobile devices to charge in the cart for at least 2-3 hours before removing them for use.

Monitoring mobile device power

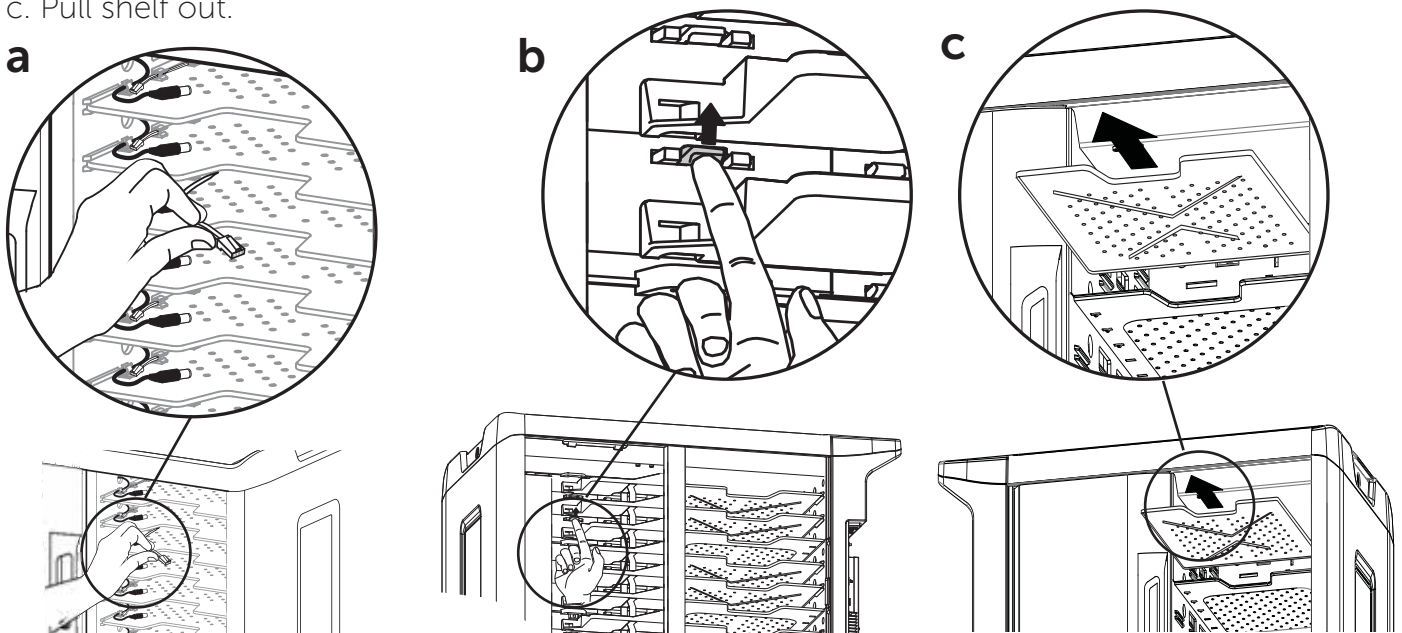
The Power/Fault Status Indicator lights near the cart top surface communicate the following conditions:

Power/Fault Status Indicator	Signal	Meaning
	White light, solid	Power "ON"
	White light, solid	Zone is charging
	All Fast Flashing	Overcurrent. Reset by removing excess devices on aux outlet. Unplug and re-plug the cart.

NOTE: Charge status of individual mobile devices can be seen directly on mobile devices.


Notebook Shelf Removal

- Disconnect the Ethernet cable.
- Release the shelf by lifting up on the tab.
- Pull shelf out.



Service and Warranty

For service, visit www.ergotron.com/Dell
or www.dell.com/support

 **NOTE:** When contacting customer service reference the serial number located above the external cable management bay.



Serial Number is required for warranty entitlement.

Made in China DP/N 00317X
CN-00317X-ERD00-XXX-###
Service Tag: ABC1234
Rev A00

Specifications

Power System

100-120V~, 12A 50/60HZ

WAP and Switch outlets
100-120V~, 8A MAX, 50/60 Hz

Power storage for Ethernet Switch located under secure top panel
Ethernet Switch (Customer Provided) 444 x 279 x 51 mm (17.5 x 11 x 2-inches)
Wireless Access Point (Customer Provided) 178 x 178 x 64 mm (7 x 7 x 2-inches)

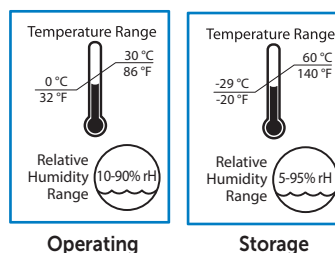
Cart Physical Dimensions

Height	1,060 mm (41.7-inches)
Length	940.6 mm (37-inches)
Width	640 mm (25.2-inches)
Weight (without Mobile Devices)	87 kg (191.8 lb)
Weight Capacity:	
Top Surface	11.3 kg (25 lb)
Shelves	2.7 kg (6 lb)
Tip Test/Angle	10 degrees

Generally compatible with most 14" display devices and some 15.6" devices.
Compatible Dell 15.6" models: Dell E5540 (requires Dell Right Angle Adapter Kit, sold separately) and E6540

Environmental





Temperature range:	
Operating	0° to 30°C (32° to 86°F)
Storage	-29° to 60°C (-20° to 140°F)
Relative humidity (maximum):	
Operating	10%–90% (non condensing)
Storage	5%–95% (non condensing)
Altitude (maximum):	2000 m (6,562 ft)



Product and Safety Alerts

Hazard Symbols Review


These symbols alert users of a safety condition that demands attention. All cart users should be able to recognize and understand the significance of the following Safety Hazards if encountered on the cart or within cart documentation. Children who are not able to recognize and respond appropriately to Safety Alerts should not use the cart without adult supervision!

Symbol	Signal Word	Level of Hazard
	NOTE	A NOTE indicates important information that helps you make better use of your cart.
	CAUTION	A CAUTION indicates either potential damage to hardware or loss of data and tells you how to avoid the problem.
	WARNING	A WARNING indicates either potential for property damage, personal injury, or death.
	ELECTRICAL	An ELECTRICAL indicates an impending electrical hazard which, if not avoided, may result in personal injury, fire and/or death.


Equipment Electrical Safety

There are specific risks associated with the use of equipment having power cables. You must be aware of, and avoid these risks when the Cart is located in close proximity to children.


 **WARNING:** Failure to observe the following Electrical Safety notices can result in fire or death by electric shock.


 **Electrical:** Electrical cables can be hazardous. Misuse can result in fire or death by electrical shock.


- Double Pole / Neutral Fusing
- Inspect power cables thoroughly before each use.
- Do not use cables that are damaged.
- Insert the plug completely into the outlet.
- Grasp the plug to remove from the outlet.
- Do not unplug by pulling on the cable.
- Do not use excessive force to make connections.
- Use only Dell power adapters that come with Dell systems with this cart.
- Do not plug the cable into an extension cable.
- Do not remove, bend or modify any metal prongs or pins of cable.
- Do not drive, drag or place objects over the cable.
- Do not walk on the cable.
- Avoid overheating. Uncoil the cable and do not cover it with any material.
- Do not run cable through doorways, holes in ceilings, walls or floors.

 **Electrical: Keep the Cart away from water.**


- Do not use it when wet.
- Do not place the Cart in close proximity to flammable liquids or gases.

 **CAUTION:** Observe all the safety precautions related to the Dell Cart operation and maintenance included in this reference guide! Failure to follow the safety precautions may result in injury or damage to equipment.

 **CAUTION:** There is no on/off switch on this equipment; the only power disconnect is the AC power cable. Therefore, the socket outlet should be easily accessible and should be installed near the equipment.

 **DANGER!**
Risk of Electric Shock

DANGER! Electrical cables can be hazardous. Misuse can result in fire or death by electrical shock.





Cleaning and Maintenance

 **WARNING:** Failure to observe the following safety notices may result in serious personal injury or equipment damage.


Inspect for damage, dirt and debris on a regular basis. All paint and plastic components used in the Cart will withstand cleaning by most commonly used, diluted, non-abrasive solutions such as quaternary ammonia compounds, ammonia enzyme cleaners, bleach, or alcohol solutions. It is recommended that any cleaning solution be tested on a small, inconspicuous area to ensure it does not harm the surface of the Cart.


- Marks from permanent marker, dry-erase marker, and pens can be removed with 91% isopropyl alcohol and a soft cloth.
- Iodine stains can be removed with commonly used cleaners and a soft cloth.
- Do not use steel wool or other abrasive materials that may damage the surface finish.


 **Electrical:** To avoid risk of electric shock, do not expose electrical components to water, cleaning solutions or other potentially corrosive liquids or substances.


 **Electrical:** Do not immerse Cart or Cart components in liquid or allow liquids to flow into the Cart. Wipe all cleaners off surface immediately using a damp cloth. Dry the surface thoroughly after cleaning.

 **Electrical:** Do not use flammable cleaners on Cart surfaces.

 **CAUTION:** Adjustment, Service, Replacement - DO NOT attempt to adjust, service or replace any part of the Cart unless directed to do so through Ergotron-approved documentation (i.e. installation instructions). Only Ergotron, Inc. or an Ergotron-certified entity may adjust, service or replace Cart components. If any component on the Cart is missing or damaged, the Cart must not be used. Contact Ergotron immediately to request a replacement part.


 **CAUTION:** Casters - Check casters periodically to make sure they are clean and free of debris that would prevent smooth travel. Avoid moving Cart across uneven, dirty, or damaged surfaces.

 **CAUTION:** Customer Equipment- Make sure equipment is balanced and installed securely to Cart. Contact Ergotron for information about moving Cart components.

 **CAUTION:** Changes or Modifications not expressly approved by Ergotron could void the user's authority to operate the equipment.

Safe Use Recommendations

There are specific risks associated with the use of Cart when moving or stationary (for charging or storage). You must be aware of, and avoid these risks when the Cart is located in close proximity to children.

 **WARNING:** Failure to observe the following Cart Use Safety notices may result in serious personal injury or equipment damage.

Only Adults should move this cart.

- Do not allow anyone to sit, stand, or climb on the Cart.
- Do not lift the Cart from the bottom.
- Do not block the fans and vent openings. To prevent overheating, leave at least 127 mm (5-inch) clearance around fans and vents.

The Cart is designed to be used indoors only.

- Do not use the Cart to transport or store equipment other than what has been noted in this guide.
- Do not use the Cart to store liquids or cleaning supplies.
- Do not place heavy objects on the Cart surface or shelf.
 - The maximum weight capacity of the top surface is 11.4 kg (25 lb).
 - The maximum weight capacity of the shelf is 22.5 kg (49.5 lb).

Moving the Cart

- Before moving the Cart:
 1. Disconnect the power cable from the wall.
 2. Make sure the cable is wrapped and secure.
 3. Close and lock the doors.
 4. Remove items from the top work surface.
 5. Unlock the casters.
- Push (do not pull) the Cart for optimum maneuverability and to prevent muscle strain.
- Do not move the Cart across rough, uneven or irregular surfaces such as gravel.

Parking the Cart

Observe these safety alerts for times when the cart is stationary:

- Do not park the Cart in areas of heavy traffic.
- Do not run cables through doorways, holes in ceilings, walls, or floors.
- Do not run cables across hallways, classrooms, or other areas where they will be walked on.
- Do not leave Cart unattended in areas where children have access.
- Keep Cart doors closed and locked whenever it is unattended or parked for charging or storage.
- Keep Cart casters locked whenever it is unattended.



Safety, Environmental, and Regulatory Information

Regulatory Notices

For additional regulatory information, see the Regulatory Compliance homepage on www.dell.com at the following location: www.dell.com/regulatory_compliance.

Waste Electrical and Electronic Equipment (WEEE) Directive

This label indicates that this product should not be disposed of with household waste. It should be deposited at an appropriate facility to enable recovery and recycling. For information on how to recycle this product in your country, please visit: Dell.com/recycle.

Директива относю отпадци от електрическо и електронно оборудване (OEEO)

Този етикет означава, че този продукт не бива да се изхвърля заедно с домакинските отпадци. Той трябва да бъде изхвърлен на подходящо място, за да се позволи възстановяването или рециклирането му. За информация относно отговорността за рециклиране на този продукт във вашата страна посетете: Dell.com/recycle.

Směrnice o odpadních elektrických a elektronických zařízeních (OEEZ)

Tento štítek označuje, že tento produkt nesmí být likvidován s domovním odpadem. Musí být předán specializované sběrně k recyklaci a dalšímu využití. Pokyny o recyklaci tohoto produktu ve vaší zemi viz adresa Dell.com/recycle.

Direktiv for bortscaffelse af elektrisk og elektronisk udstyr (WEEE)

Denne etiket indikerer, at dette produkt ikke bør kasseres sammen med husholdningsaffald. Det bør bortskaffes ved en egnet facilitet for at muliggøre genbrug. For information om hvordan dette produkt genbruges i dit land, bedes du gå til: Dell.com/recycle.

WEEE-richtlijn, Waste Electrical and Electronic Equipment (afdanken van elektrische en elektronische apparaten)

Dit label geeft aan dat dit product niet via huishoudelijk afval mag worden afgedankt. Het moet worden gedeponeerd bij een daarvoor geschikte voorziening zodat herstel en recycling mogelijk zijn. Raadpleeg voor meer informatie over verantwoorde recycling van dit product in uw land de website: Dell.com/recycle.

Elektriliste ja elektroniliste seadmete kasutusjärgne töötlemine (direktiiv WEEE)

Selline silt tähistab toodet, mida ei tohi pärast kasutust olemajäätmete hulka visata. Tooline toode tuleb via jäätmekäitlusettevõtetesse, kus seda nõuetekohaselt töödeldakse. Toote käitlemise kohta oma kodumaal leiate teavet aadressilt Dell.com/recycle.

Direktiivi sähkö- ja elektroniikkalaiteromusta (WEEE)

Tämä tarra tarkoittaa, että tuotetta ei tule hävittää kotitalousjätteen joukossa. Se tulee toimittaa asianmukaiseen paikkaan uudelleenkäyttöä tai kierrätystä varten. Tietoja tämän tuotteen kierrättämisestä eri maissa saat seuraavasta osoitteesta: Dell.com/recycle.

Directive sur la mise au rebut des appareils électriques et électroniques (Waste Electrical and Electronic Equipment - WEEE)

Cette étiquette indique que ce produit ne doit pas être jeté avec les déchets ménagers. Il doit être mis au rebut dans un centre de dépôt spécialisé pour un recyclage approprié. Pour obtenir davantage d'informations sur le recyclage approprié de ce produit dans votre pays, veuillez vous rendre sur le site : Dell.com/recycle.

Richtlinie für Abfall von elektrischen und elektronischen Geräten (WEEE)

Dieses Etikett weist darauf hin, dass dieses Produkt nicht mit dem Hausmüll entsorgt werden sollte. Es sollte an einer entsprechenden Einrichtung abgegeben werden, um Wiedergewinnung und Recycling zu ermöglichen. Weitere Informationen über das Recyceln dieses Produkts erhalten Sie unter: Dell.com/recycle.

Οδηγία σχετικά με τα απόβλητα ειδών ηλεκτρικού και ηλεκτρονικού εξοπλισμού (AHHE)

Αυτή η ετικέτα υποδεικνύει ότι το συγκεκριμένο προϊόν δεν πρέπει να απορρίπτεται μαζί με τα οικιακά απορρίμματα. Θα πρέπει να απορριφτεί σε κατάλληλο χώρο ώστε να είναι δυνατή η ανάκτηση και η ανακύκλωση. Για πληροφορίες σχετικά με την ανακύκλωση αυτού του προϊόντος στη χώρα σας, επισκεφθείτε τη διεύθυνση: Dell.com/recycle.

Waste Electrical and Electronic Equipment (WEEE), azaz az elektromos és elektronikus berendezések hulladékaira vonatkozó irányelv

Az ilyen címkével jelölt terméket tilos háztartási hulladékként kezelni. Az ilyen hulladékok a helyreállítathóság és az újrahasznosíthatóság érdekében a megfelelő elfogadóhelyre kell szállítani. A termék saját országán belül érvényes újrahasznosításával kapcsolatban információt a következő weboldalon talál: Dell.com/recycle.

Direttiva Rifuti di apparecchiature elettriche ed elettroniche (RAEE)

Questa etichetta indica che il prodotto non deve essere smaltito insieme ai rifiuti domestici. Deve essere depositato in un impianto adeguato che sia in grado di eseguire operazioni di recupero e riciclaggio. Per informazioni sulle procedure di riciclaggio di questo prodotto nel proprio Paese, visitare: Dell.com/recycle.

Direktīva par elektrisko un elektronisko iekārtu atkritumiem (EEIA)

Šis apzīmējums norāda, ka produktu nedrīkst izmest kopā ar sadzīves atkritumiem. Tas ir jānodod atbilstošā savākšanas punktā, lai parasti atjaunotu vai pārstrādātu. Informāciju par šī produkta pārstrādes iespējām jūsu valstī skatiet: Dell.com/recycle.

Direktiva dėl elektros ir elektroninės įrangos atliekų (Waste Electrical and Electronic Equipment, WEEE)

Šis ženklas rodo, kad šio gaminio negalima išmesti kartu su buitinėmis atliekomis. Nebenaudojamą gaminį reikia atiduoti į tam skirtą punktą atnaujinti arba perdirbti. Informacijos apie tinkamą šio gaminio perdirbimą jūsų šalyje rasite interneto svetainėje: Dell.com/recycle.

Direttiva dwar Skart magħmul minn Tagħmir Elektroniku u Elettriku (Waste Electrical and Electronic Equipment - WEEE)

Din it-tikketta tindika li dan il-prodott m'għandux jintrema mal-iskart domestiku. Għandu jintrema f'faċilità adatta fejn "kun jista' jiġi rkuprat u nikklat. Għal aktar taġġir dwar kif għandek ttrikkidha dan il-prodott fil-pajjiż tiegħek, jekk jogħġbok zur: Dell.com/recycle.

Direktivet om elektrisk og elektronisk utstyr (WEEE)

Dette merket angir at produktet ikke skal kastes sammen med husholdningsavfall. Det skal leveres til et mottak for spesialavfall for gjenvinning og resirkulering. Du finner informasjon om hvordan du resikulerer dette produktet i ditt land her: Dell.com/recycle.

Dyrektiva dotycząca odpadów urządzeń elektrycznych i elektronicznych (WEEE)

Etykieta ta oznacza, że tego produktu nie należy wyrzucać razem z odpadami z gospodarstwa domowego. Należy go przekazać do odpowiedniego zakładu, gdzie zostanie poddany odzyskowi i recyklingowi. Informacje o sposobie recyklingu tego produktu w poszczególnych krajach można znaleźć pod adresem: Dell.com/recycle.

Direktiva WEEE (Waste Electrical and Electronic Equipment)

Esta etiqueta indica que esse produto não deve ser eliminado juntamente com o lixo normal. Deve ser depositado numa instalação apropriada para recolha e reciclagem. Para obter informações sobre como reciclar este produto de forma responsável no seu país, visite: Dell.com/recycle.

Direktiva privind deșeurile provenite din echipamentele electrice și electronice (WEEE)

Această etichetă indică faptul că acest produs nu trebuie aruncat laolaltă cu gunoial menajer. Trebuie depozitat într-un loc special amenajat pentru a permite recuperarea și reciclarea. Pentru informații privitoare la reciclarea acestui produs în țara dvs., accesați: Dell.com/recycle.

Директива об утилизации электрического и электронного оборудования (WEEE)

Эта маркировка означает, что данный продукт не следует утилизировать вместе с бытовым мусором. Продукт следует утилизировать на специализированном предприятии, чтобы в дальнейшем его можно было переработать. Информацию о правилах утилизации изделия в вашей стране можно получить на веб-узле: Dell.com/recycle.

Smernica o odpadoch z elektrických a elektronických zariadení (WEEE)

Tento štítok znamená, že sa výrobok nesmie likvidovať ako komunálny odpad. Musí sa odovzdať na príslušnom mieste na obnovu alebo recykláciu. Informácie o správnej recyklácii tohto produktu vo vašej krajine nájdete na stránke: Dell.com/recycle.

Direktiva o odlaganju električne in elektronske opreme (WEEE)

Ta znak označuje, da izdelek ni primeren za odlaganje skupaj z običajnimi gospodinjскими odpadki. Odložiti ga je treba na ustreznem mestu za odlaganje in reciklazo. Za informacije o reciklazi tega izdelka v vaši državi obiščite: Dell.com/recycle.

Residuos de Aparatos Eléctricos y Electrónicos (RAEE)

Esta etiqueta indica que la eliminación de este producto no se puede hacer junto con el deshecho doméstico. Se debe depositar en una instalación apropiada que facilite la recuperación y el reciclado. Para obtener más información sobre cómo reciclar este producto en su país, visite el sitio web: Dell.com/recycle.

Direktiv för kassering av elektrisk och elektronisk utrustning (WEEE - Waste Electrical and Electronic Equipment)

Den här etiketten betyder att produkten inte får slängas i hushållsavfallet. Den ska lämnas in på en återvinningsstation. Information om hur produkten återvinns i ditt land finns på adressen Dell.com/recycle. Inom EU betyder den här etiketten att produkten inte får slängas i hushållsavfallet. Den ska lämnas in på en återvinningsstation. Information om hur produkten återvinns i ditt land finns på adressen Dell.com/recycle.

Atik Elektrikli ve Elektronik Ekipman (WEEE) Yönergeleri

Bu etiket, ürünün ev elektrikli aletleri atılan ile imha edilemeyeceğini gösterir. Kurtarmak ve geri dönüştürmeyi sağlamak için uygun şartlarda saklanması gerekir. Bu ürünün geri dönüşümünün nasıl sağlanacağı konusunda bilgi için lütfen şu adresi ziyaret edin: Dell.com/recycle.

Safety, Environmental, and Regulatory Information

FCC Compliance Statement

This cart has been tested and found to comply with the limits for a Class A digital device, pursuant to Part 15 of the FCC rules. These limits are designed to provide reasonable protection against harmful interference when the equipment is operated in a commercial environment. This equipment generates, uses, and can radiate radio frequency energy and, if not installed and used according to the instructions, may cause harmful interference to radio communications. Operation of this equipment in a residential area is likely to cause harmful interference in which case the user will be required to correct the interference at their own expense.

Operation of this equipment is subject to the following two conditions: (1) this device may not cause harmful interference, and (2) this device must accept any interference received, including interference that may cause undesired operation.

FCC Caution: Changes or Modifications not expressly approved by Ergotron could void the user's authority to operate the equipment.

This Class A digital apparatus complies with Canadian CAN ICES-3(A)/NMB-3(A). / Cet appareil numérique de la classe A est conforme à la norme CAN ICES-3(A)/NMB-3(A) du Canada.

Registration, Evaluation, Authorization of Chemicals (REACH)

REACH is the European Union (EU) chemical substances regulatory framework. Information on substances of very high concern contained in Dell products in a concentration above 0.1% weight by weight (w/w) can be found at Dell.com/REACH.

Регламент относено регистрацията, оценката, разрешаването и ограничаването на химикали (REACH)

REACH е регулаторната рамка на Европейския съюз (ЕС) за химически вещества. Информация за вещества с много голяма важност, съдържащи се в изделия на Dell в концентрация над 0,1% обемни процента (w/w), може да се намери на адрес: Dell.com/REACH

Směrnice REACH (Registration, Evaluation, Authorization of Chemicals)

REACH označuje v Evropské unii (EU) regulační rámec chemických látek. Informace o nebezpečných látkách, které jsou ve výrobních společnostech Dell obsaženy v koncentraci větší než 0,1 hmotnostních procent, naleznete na adrese Dell.com/REACH.

Registration, Evaluation, Authorization of Chemicals (REACH)

REACH er forordningsstrukturen for kemiske stoffer i den Europæiske Union (EU). Oplysninger om substanser, som er af stor bekymring, og som er indeholdt i Dell-produkter i en koncentration over 0,1 vægtprocent kan findes på Dell.com/REACH.

Registration, Evaluation, Authorization of Chemicals (REACH)

REACH is het regelgevingskader van de Europese Unie (EU) op het gebied van chemische stoffen. Informatie over zeer gevaarlijke stoffen in Dell-producten in een concentratie van boven de 0,1% gewicht per gewicht (w/w) is te vinden op Dell.com/REACH.

Kemikaalien registreerimine, hindamine ja autoriseerimine (REACH)

REACH on kemikaalide kasitlev Euroopa Liidu (EU) regulatiivne raamistik. Teavet ohtlike ainete kohta, mis sisalduvad Dell'i toodetes kontsentratsioonis üle 0,1 massiprotsendi, on saadaval aadressil Dell.com/REACH.

Kemikaalien rekisteröinti, arviointi ja lupamenettelyt (REACH)

REACH on Euroopan unionin (EU) kemiallisten aineiden puitekehyks. Tietoa haitallisista aineista, joiden massaprosentti (w/w) Dellin tuotteen on enimminkin kuin 0,1 prosenttia, on osoitteessa Dell.com/REACH.

Enregistrement, évaluation, autorisation des produits chimiques (REACH)

REACH est le programme de réglementation des produits chimiques dans l'Union européenne (UE). Vous trouverez des informations sur les substances très préoccupantes que contiennent les produits Dell en concentration supérieure à 0,1 % en poids par poids (p/p) sur Dell.com/REACH.

Registrierung, Beurteilung und Zulassung von Chemikalien (REACH, Registration, Evaluation, Authorization of Chemicals)

Die EU-Richtlinie REACH ist das Regelwerk der Europäischen Union für chemische Substanzen. Informationen zu bedenklichen Substanzen, die in Dell-Produkten in einer Konzentration von mehr als 0,1 Gewichtsprozent (w/w, Weight by Weight) enthalten sind, finden Sie unter Dell.com/REACH.

Οδηγία REACH (Καταχώριση, αξιολόγηση και αδειοδότηση χημικών προϊόντων)

Η οδηγία REACH είναι το κανονιστικό πλαίσιο της ΕΕ για τις χημικές ουσίες. Πληροφορίες σχετικά με ουσίες που προκαλούν πολύ μεγάλη ανησυχία και περιέχονται σε προϊόντα της Dell σε συγκέντρωση άνω του 0,1% κατά βάρος (κ.β.) μπορείτε να βρείτε στη διεύθυνση Dell.com/REACH.

A vegyi anyagok regisztrálására, értékelésére, engedélyezésére és korlátozására vonatkozó szabályozás (REACH)

A REACH az Európai Unió (EU) vegyi anyagokra vonatkozó szabályozó keretrendszer. A Dell termékekben 0,1% feletti arányban található veszélyes anyagokról a következő címen található bővebb információkat: Dell.com/REACH.

Registrazione, valutazione e autorizzazione delle sostanze chimiche (REACH)

REACH è il quadro normativo delle sostanze chimiche dell'Unione Europea (UE). Le informazioni sulle sostanze estremamente problematiche contenute nei prodotti Dell in una concentrazione superiore allo 0,1% in peso per peso (p/p) sono disponibili all'indirizzo Dell.com/REACH.

Кіміско віелу реґістрація, вѣртѣшана, авторизація (REACH)

REACH ir Eiropas Savienības (ES) ķīmisko vielu regulēšanas sistēma. Informāciju par īpaši bīstamām ķīmiskajām vielām, ko satur Dell produkti koncentrācijā virs 0,1% sveram uz svaru (w/w), var atrast vietnē Dell.com/REACH.

Cheminių medžiagų registracija, įvertinimas, autorizacija (REACH)

REACH yra Europos Sąjungos (ES) cheminių medžiagų kontrolės sistema. Informacija apie didelį susirūpinimą keliančias medžiagas, kurių koncentracija „Dell“ produktuose pagal svorį yra didesnė nei 0,1% svorio (s/s), galima rasti adresu Dell.com/REACH.

Registrazzjoni, Evalwazzjoni, Awtorizzazzjoni ta' Kimiċi (REACH)

REACH hu l-għafas regolatorju tal-Unjoni Ewropea (UE) għal sustanzi kimiki. Informazzjoni dwar sustanzi li jikkawżaw tħassib kbir fi prodotti ta' Dell i koncentrazzjoni ta' iżjed minn 0,1% piz b'piz (w/w) tista' tintab t' Dell.com/REACH.

Registriering, vurdering og godkjenning av kjemikalier (REACH)

REACH er Den europeiske union (EU)s forskriftsmessige rammeverk for kjemiske stoffer. Informasjon om farlige stoffer i Dell-produkter i en konsentrasjon over 0,1 % vektprosent (w/w) finnes på Dell.com/REACH.

Rozporządzenie REACH (ang. Registration, Evaluation, Authorization of Chemicals)

REACH jest rozporządzeniem Unii Europejskiej (UE) dotyczącym substancji chemicznych. Informacje na temat istotnych substancji obecnych w produktach Dell w stężeniu procentowym masowym powyżej 0,1% można znaleźć pod adresem Dell.com/REACH.

REACH (Registration, Evaluation, Authorization of Chemicals - Registo, avaliação e autorização de substâncias químicas)

O REACH é o sistema regulador de substâncias químicas da União Europeia (UE). As informações sobre substâncias que são motivo de grande preocupação existentes nos produtos Dell numa concentração acima de 0,1% peso por peso (p/p) podem ser encontradas em Dell.com/REACH.

Înregistrarea, evaluarea și autorizarea substanțelor chimice (REACH)

REACH este cadrul de reglementare a substanțelor chimice în Uniunea Europeană (UE). Informații privind substanțele periculoase continute în produsele Dell în concentrații mai mari de 0,1 % din greutate pot fi găsite la adresa web Dell.com/REACH.

Регламент по регистрации, оценке, разрешению и ограничению использования химических веществ (REACH)

REACH - это документ Европейского союза, регламентирующий использование химических веществ. Информация о веществах, содержащихся в продукции Dell в массовой концентрации более 0,1 % (работа с ними требует повышенной осторожности), приведена на сайте Dell.com/REACH.

Registračia, vyhodnotenie, autorizácia chemikálií (REACH)

REACH je regulačný rámec chemických látok Európskej únie. Informácie o látkach s veľmi vysokou nebezpečnosťou obsiahnutých v produktoch Dell v koncentrácii vyššej ako 0,1 hmotnostných % (w/w) môžete nájsť na adrese Dell.com/REACH.

Registračia, evalvacija, avtorizacija kemikalij (REACH)

REACH je regulativni okvir Evropske unije (EU) za kemične snovi. Informacije o izjemno problematičnih snoveh, ki so v izdelkih podjetja Dell prisotne v koncentracijah nad 0,1 % glede na maso (t/t), so na voljo na strani Dell.com/REACH.

Registro, evaluación y autorización de productos químicos (REACH)

REACH es el organismo de regulación de sustancias químicas de la Unión Europea (UE). La información sobre sustancias de alto riesgo contenidas en productos Dell en una concentración superior al 0,1% peso por peso (p/p) se puede encontrar en Dell.com/REACH.

REACH (Registration, Evaluation, Authorization of Chemicals - registrering, utvärdering, auktorisation av kemikalier)

REACH är den europeiska unionens (EU) regelverk för kemikaliska ämnen. Information om angående ämnen i Dell-produkter med koncentration över 0,1 % vikt per vikt (w/w) finns på Dell.com/REACH.

Kimyasal Maddeleri Kaydetme, Değerlendirme ve Onaylama (REACH)

REACH, Avrupa Birliği'nin (AB) kimyasal maddelerle ilgili mevzuatıdır. Dell ürünlerinde bulunan, ağırlıkça (w/w) %0,1'in üzerinde yoğunluğa sahip yüksek önem arzeden maddelerle ilgili bilgi için: Dell.com/REACH sitesini ziyaret edin.



CUSTOM SOLUTION FOR DELL BY ERGOTRON
For service, visit www.ergotron.com/Dell
or www.dell.com/support

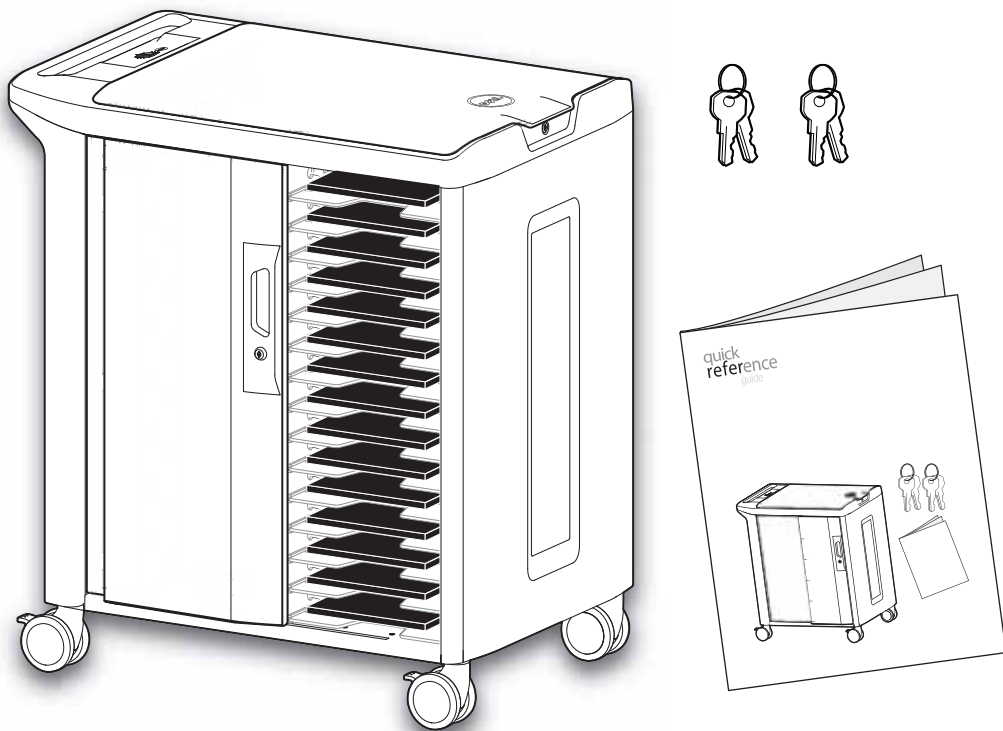
ergotron[®]

Warranty

5 years for mechanical components and functions,
3 year for electrical components and functions
and 1 year for cables. All third-party components will
follow the warranty as defined by the manufacturer.

© 2015 Ergotron, Inc. All rights reserved.

While Ergotron, Inc. makes every effort to provide accurate and complete information on the installation and use of its products, it will not be held liable for any editorial errors or omissions (including those made in the process of translation from English to another language), or for incidental, special or consequential damages of any nature resulting from furnishing this instruction and performance of equipment in connection with this instruction. Ergotron, Inc. reserves the right to make changes in the product design and/or product documentation without notification to its users. For the most current product information, or to know if this document is available in languages other than those herein, please contact Ergotron. No part of this publication may be reproduced, stored in a retrieval system, or transmitted in any form or by any means, electronic, mechanical, photocopying, recording or otherwise without the prior written consent of Ergotron, Inc., 1181 Trapp Road, Eagan, Minnesota, 55121, USA Patents Pending and Patented U.S. & Foreign. Ergotron is a registered trademark of Ergotron, Inc.



Carro de carga listo para red Dell™: 30 dispositivos

El carro de carga listo para red Dell™ transporta, protege, carga y gestiona 30 ordenadores portátiles, Chromebooks, Ultrabooks o tabletas.

Modelos:
ERGITD-009



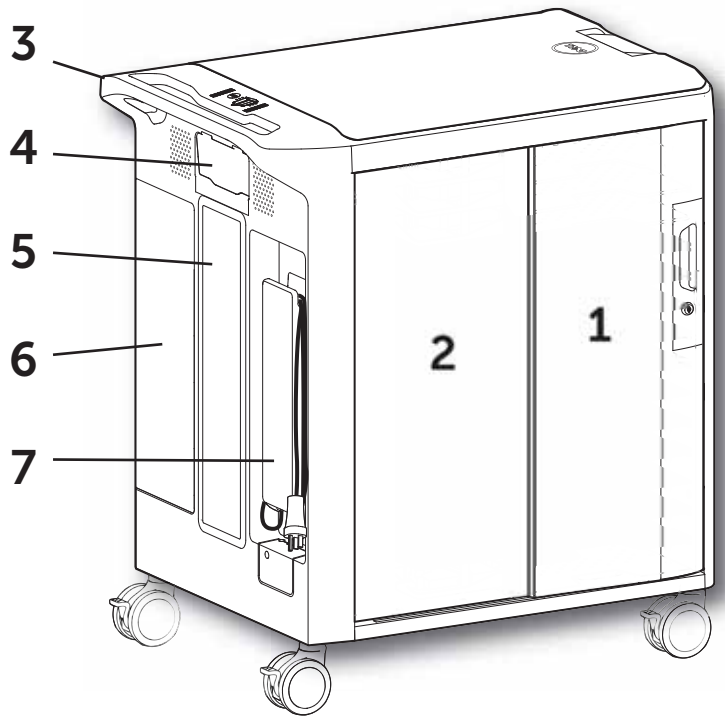
0KF7DTA00

Para mantenimiento, visite www.ergotron.com/Dell
o www.dell.com/support

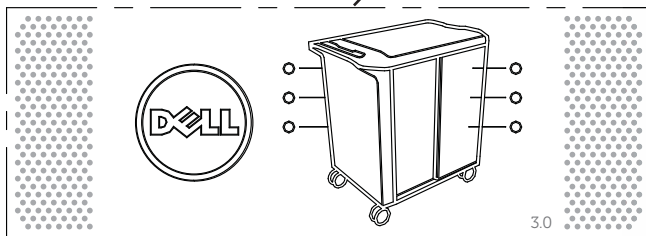
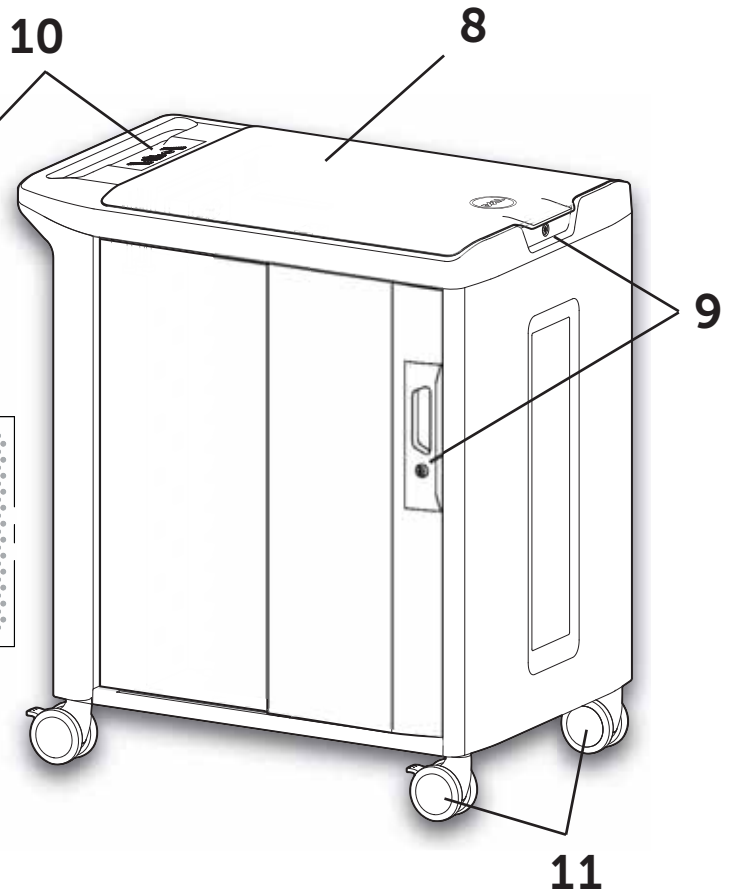
Carro de carga listo para red Dell™: 30 dispositivos

Características externas

- 1 Puerta deslizable del compartimento de dispositivos
- 2 Puerta del compartimento del adaptador de alimentación
- 3 Asa ergonómica
- 4 Tomas eléctricas auxiliares
- 5 Ventiladores de refrigeración
- 6 Compartimento de gestión de alimentación
- 7 Compartimento de brida para cables



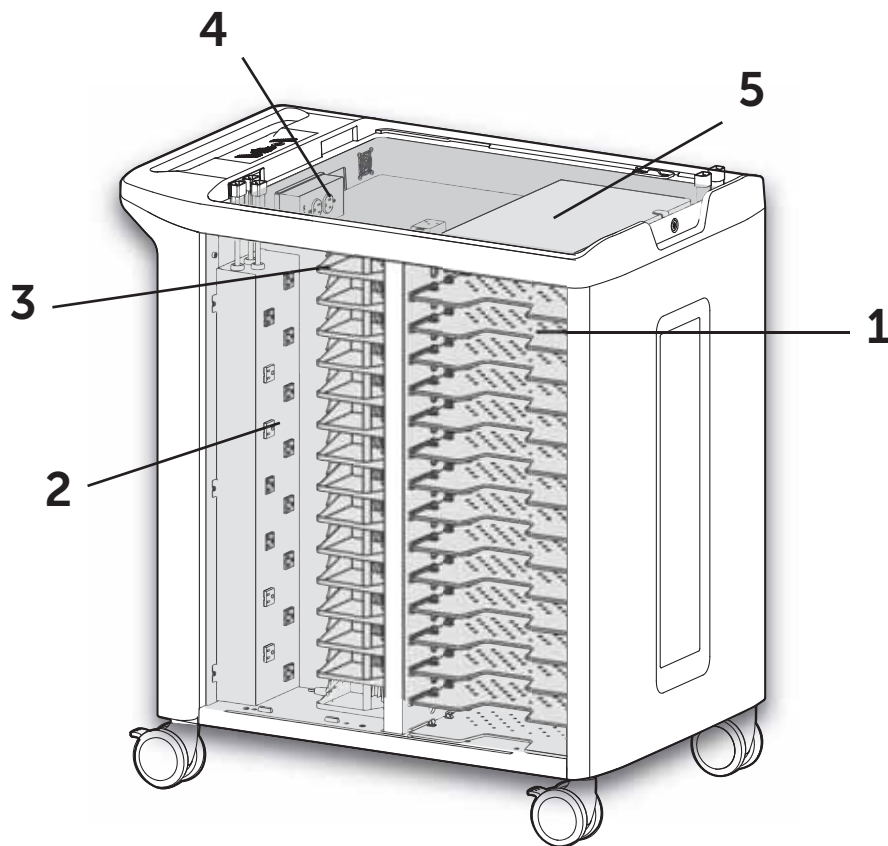
- 8 Compartimento superior
- 9 Cerraduras
- 10 Indicadores de estado de alimentación/falla
- 11 Ruedas pivotantes



Carro de carga listo para red Dell™: 30 dispositivos

Características internas

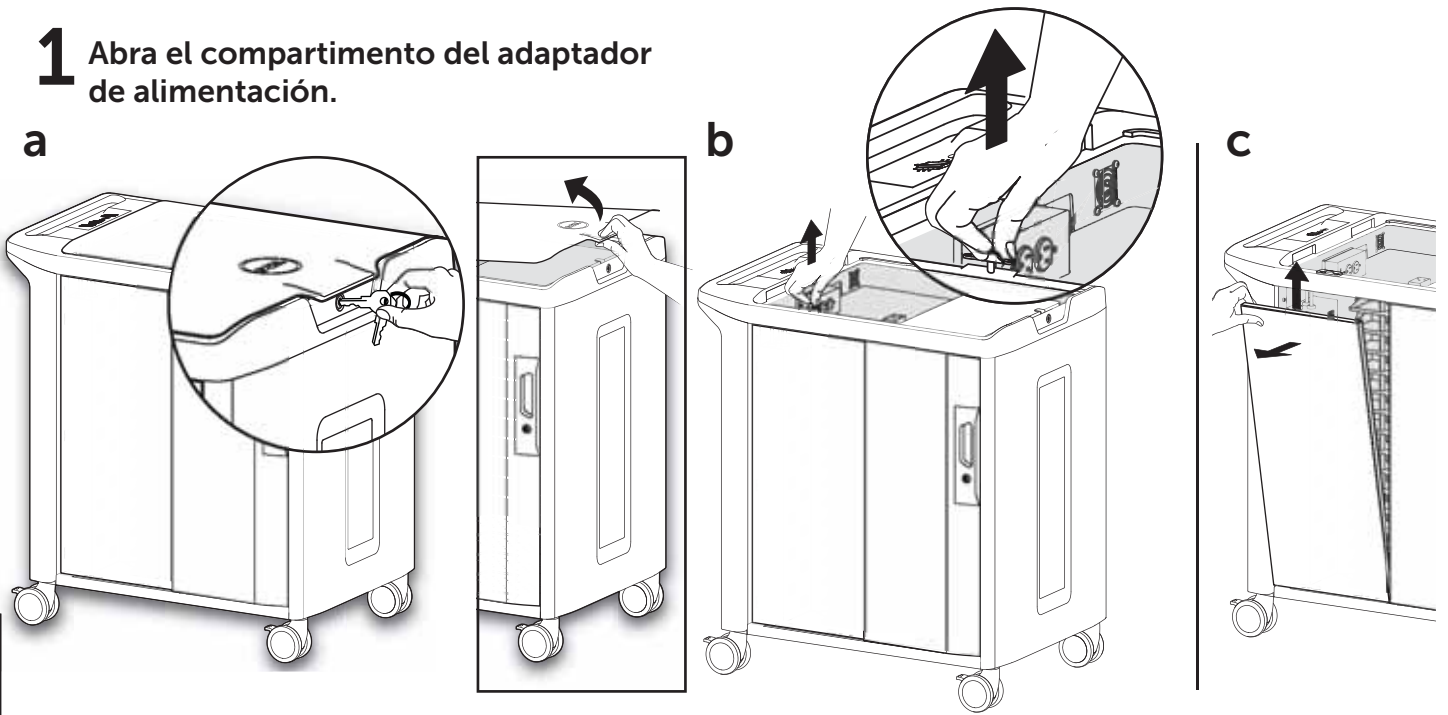
- 1 Estantes para dispositivos
- 2 Tomas eléctricas de dispositivos
- 3 Estantes para adaptadores
- 4 Tomas eléctricas
- 5 Conmutador de Ethernet opcional (suministrado por el cliente)



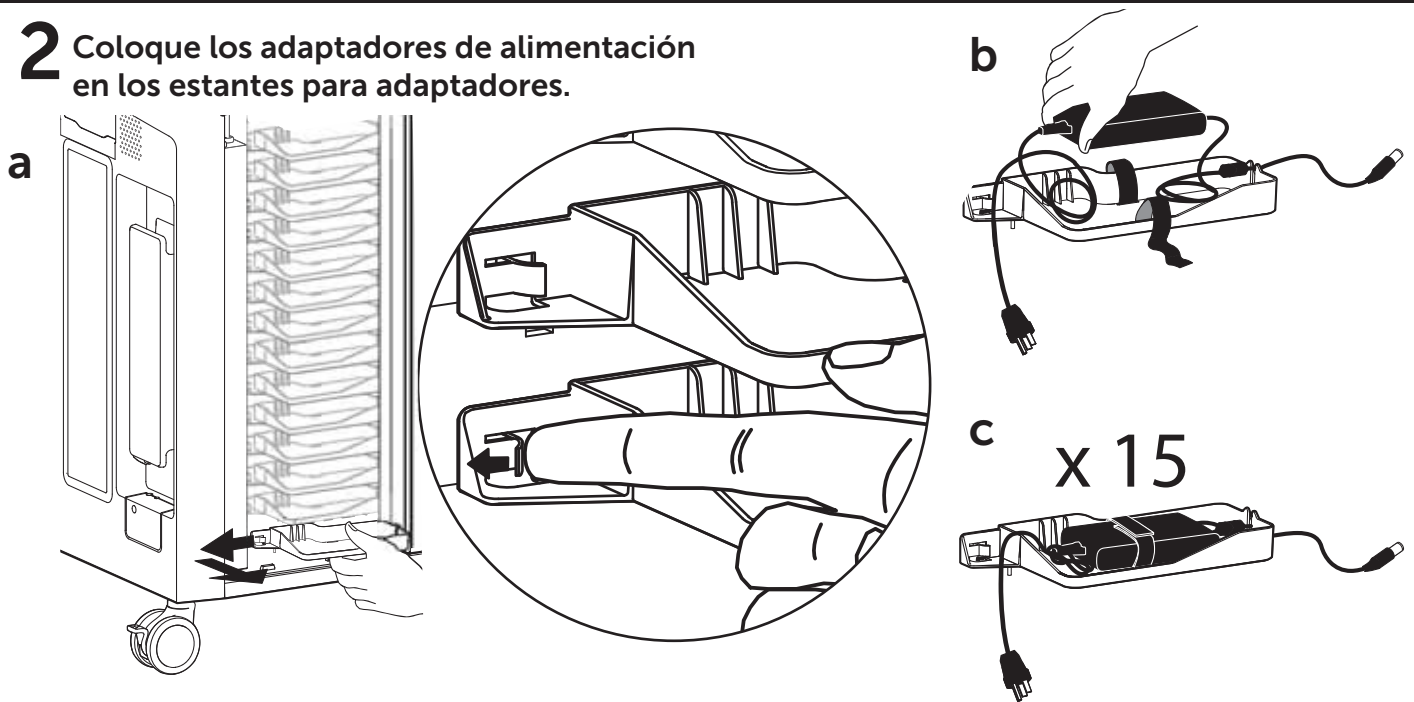
 **NOTA:** Consulte las guías de producto independientes para Dispositivos Móviles y el Conmutador de Ethernet

Inicio y configuración

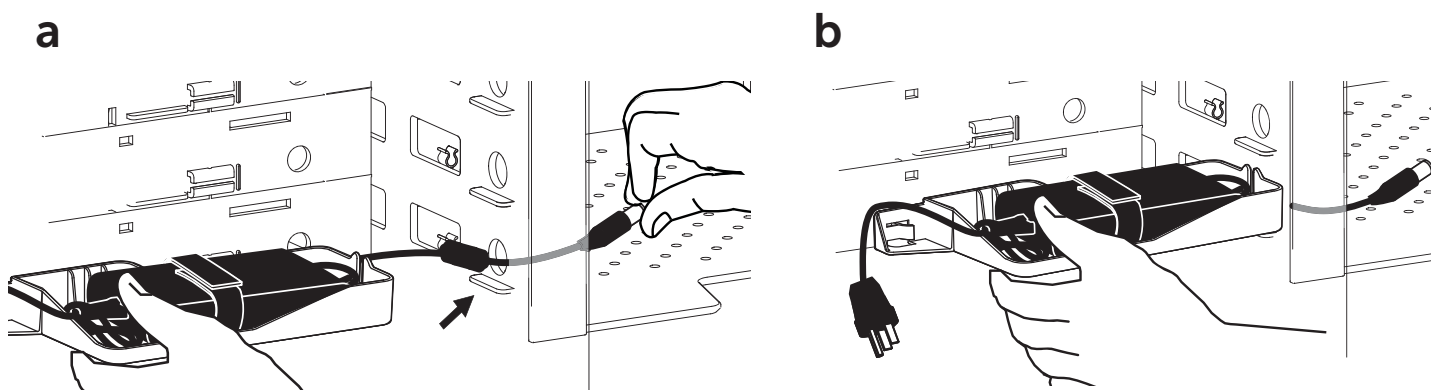
1 Abra el compartimento del adaptador de alimentación.



2 Coloque los adaptadores de alimentación en los estantes para adaptadores.

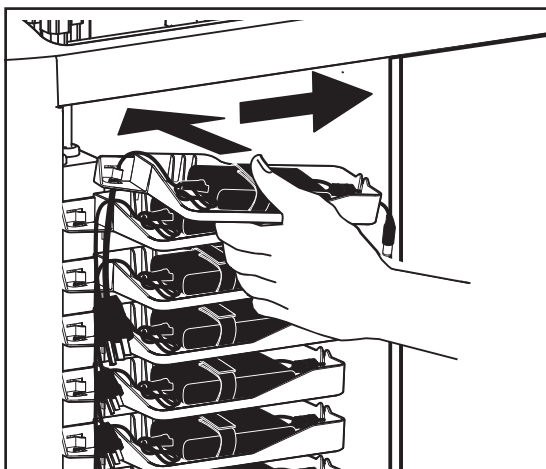


3 Introduzca el conector del adaptador en el compartimento de dispositivos.

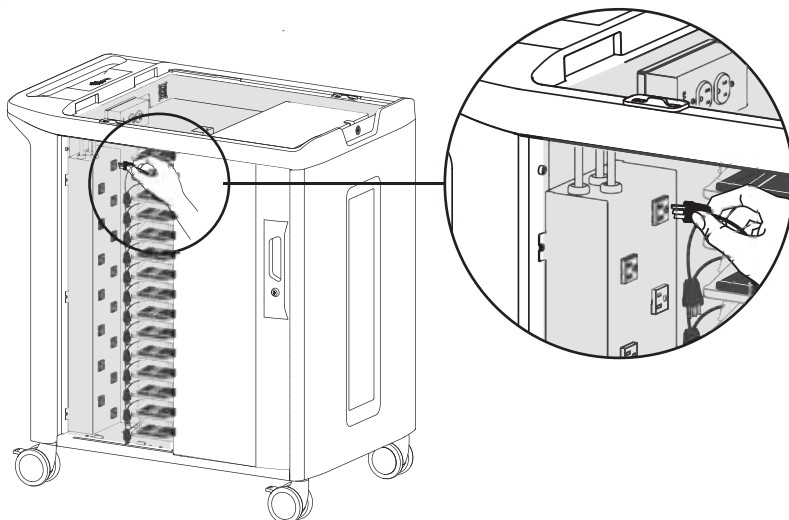


4 Enchufe los adaptadores.

a

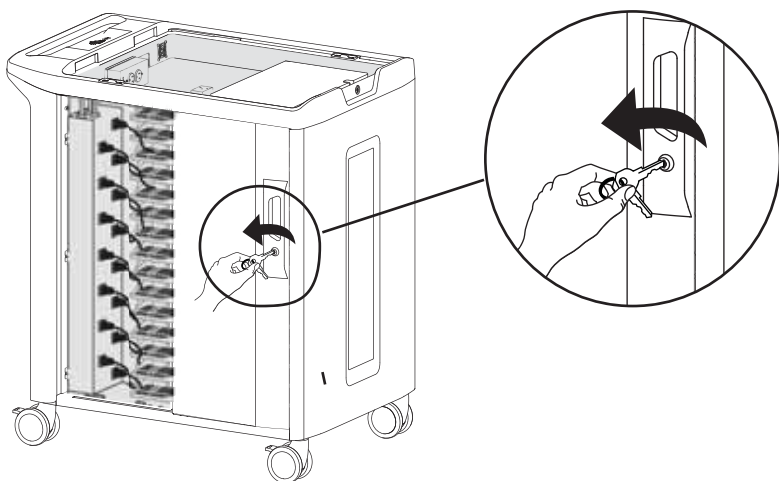


b

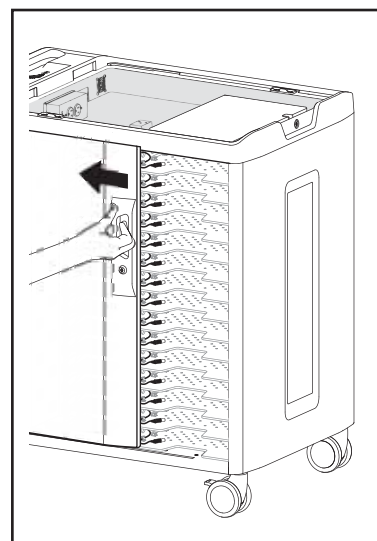


5 Introduzca los dispositivos móviles y conecte los cables.

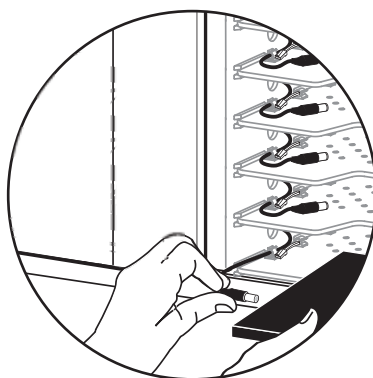
a



b



c

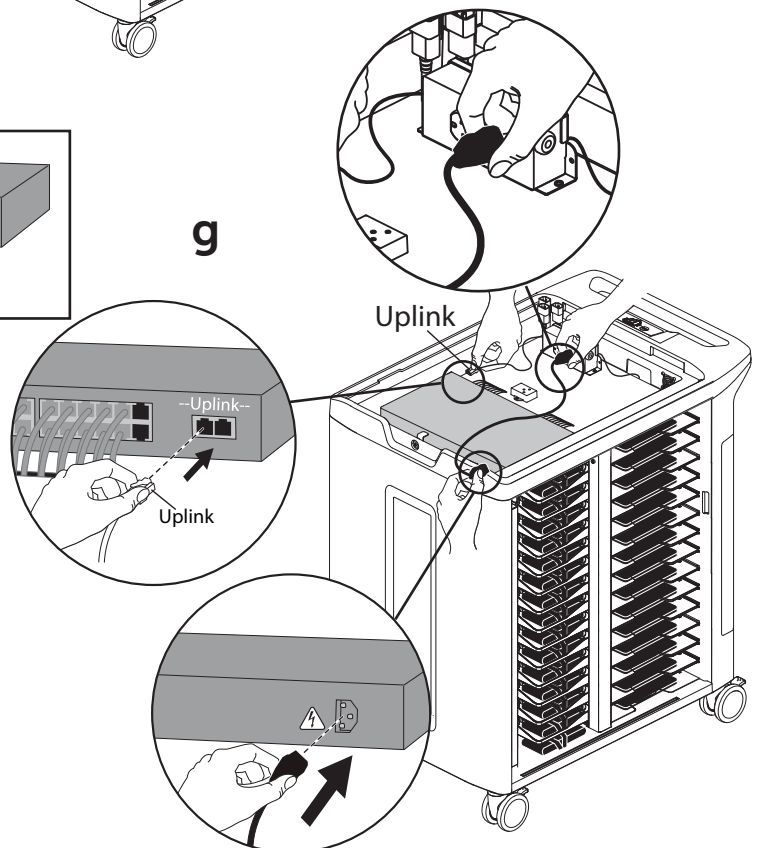
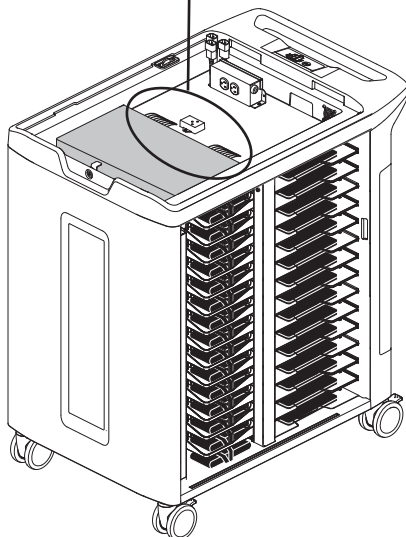
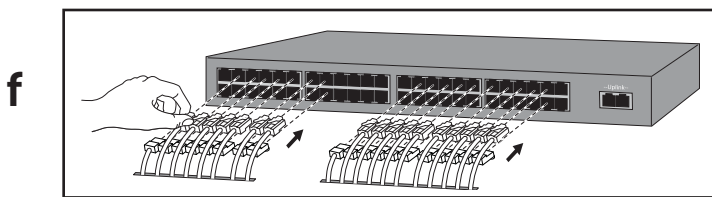
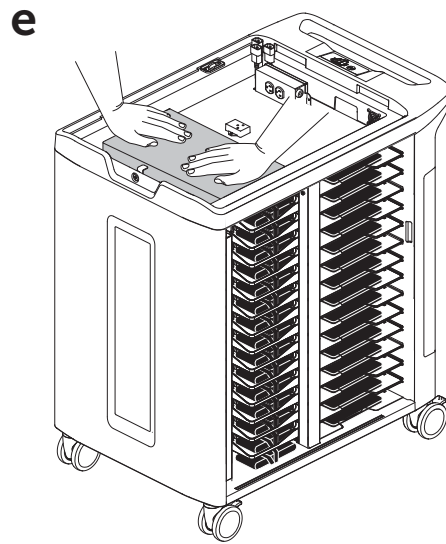
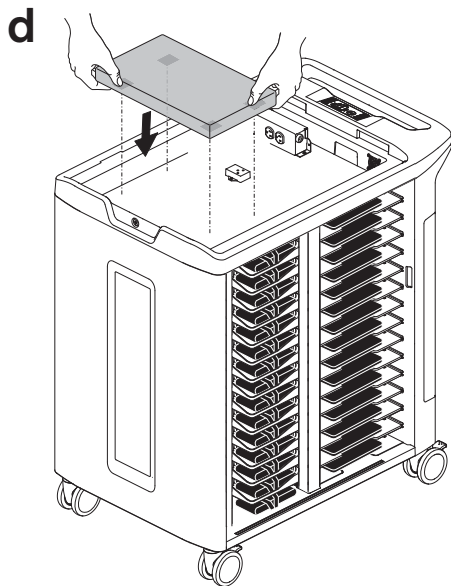
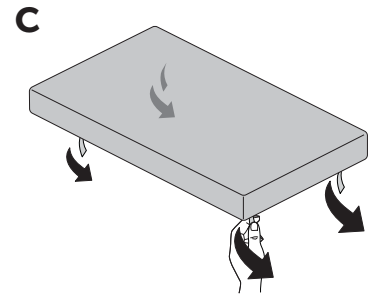
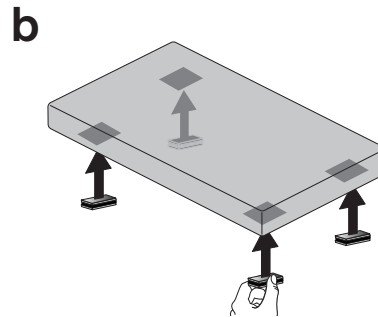
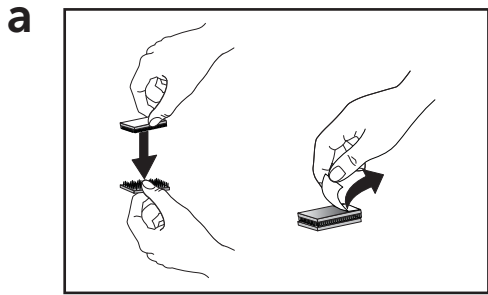


d



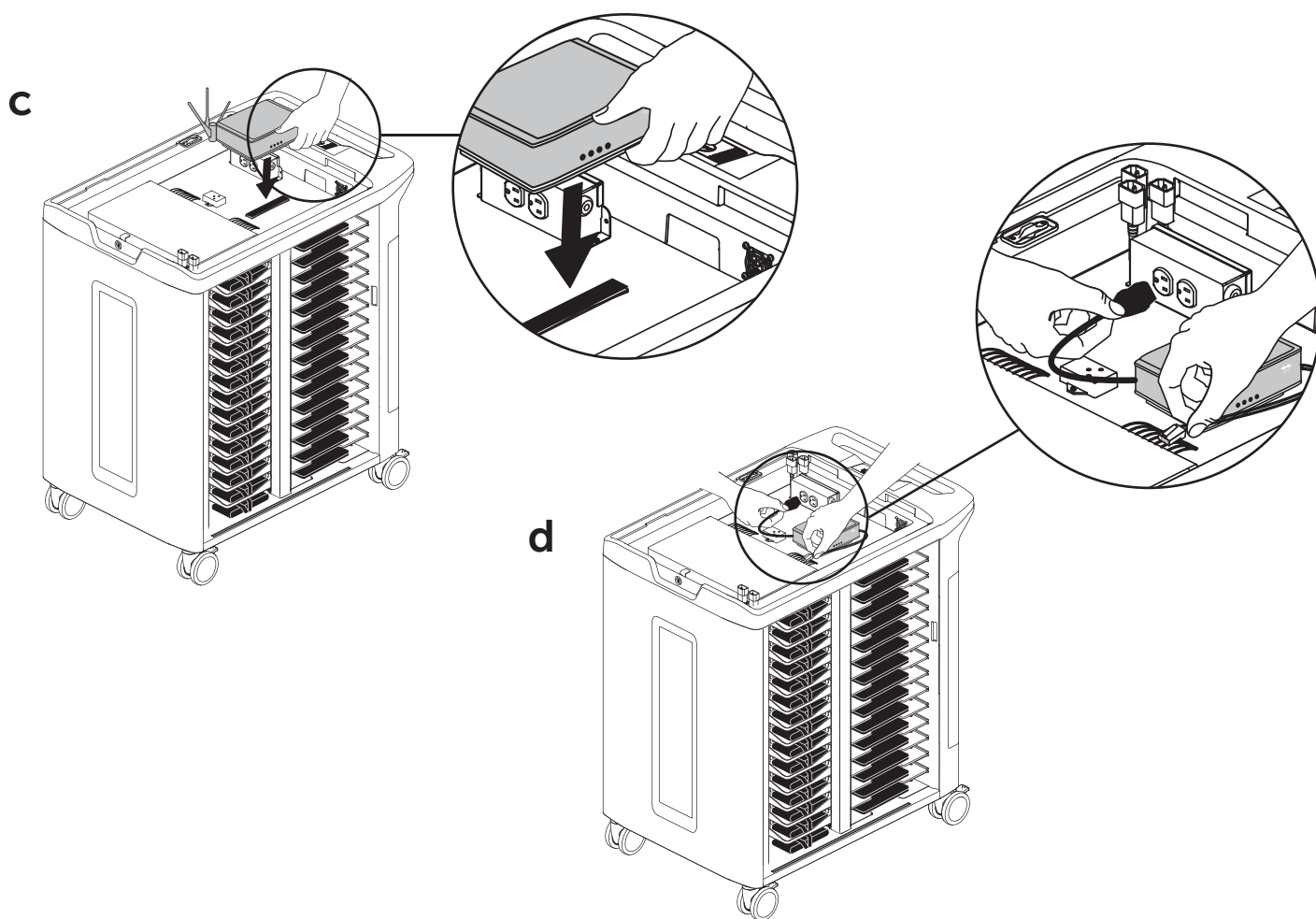
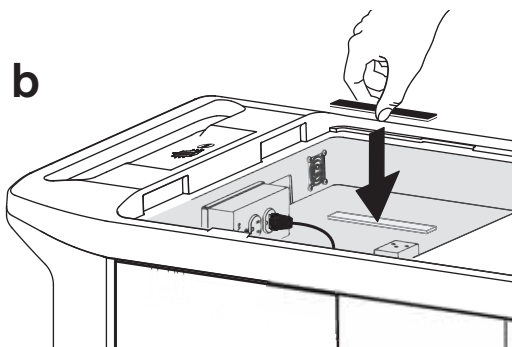
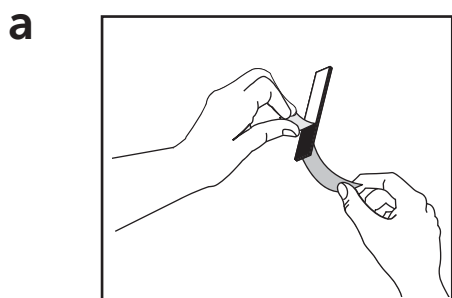
6 Paso opcional: instale el conmutador Ethernet suministrado por el cliente.

 **NOTA:** instale el conmutador Ethernet opcional suministrado por el cliente con las tiras de Velcro provistas.



6 Paso opcional: instale el punto de acceso inalámbrico.

 **NOTA:** instale el WAP opcional suministrado por el cliente con el Velcro provisto.

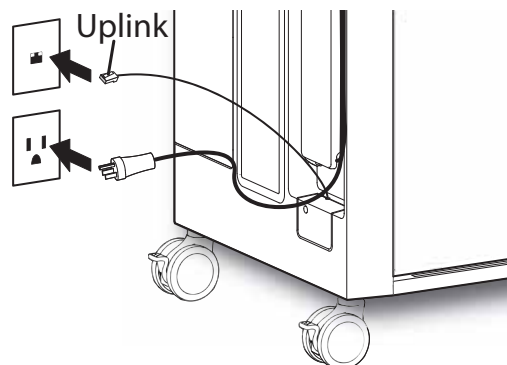


ESPAÑOL

7 Verifique el funcionamiento del carro

Conecte el cable de alimentación del carro a un circuito exclusivo (uno que no se comparta con otros dispositivos móviles).

Verifique que esté encendida la luz blanca del indicador de alimentación, cerca de la superficie superior del carro.



Primera carga de batería

NOTA: Antes de utilizar los dispositivos móviles por primera vez o después de que hayan pasado cierto tiempo almacenados, asegúrese de que estén cargados completamente (al 100%).

Antes de utilizarlos por primera vez, deje cargar los dispositivos móviles en el carro durante al menos dos a tres horas antes de retirarlos para utilizarlos.

Supervisión de la alimentación de los dispositivos móviles

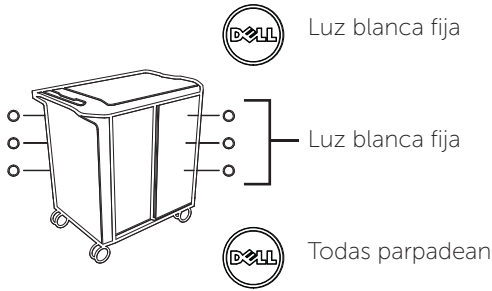
Las luces indicadoras de alimentación/fallo cerca de la superficie superior del carro comunican las siguientes situaciones:

Indicador de estado de alimentación/falla

Señal

Significado

Zones



Luz blanca fija

Alimentación "encendida"

Luz blanca fija

La zona está cargando

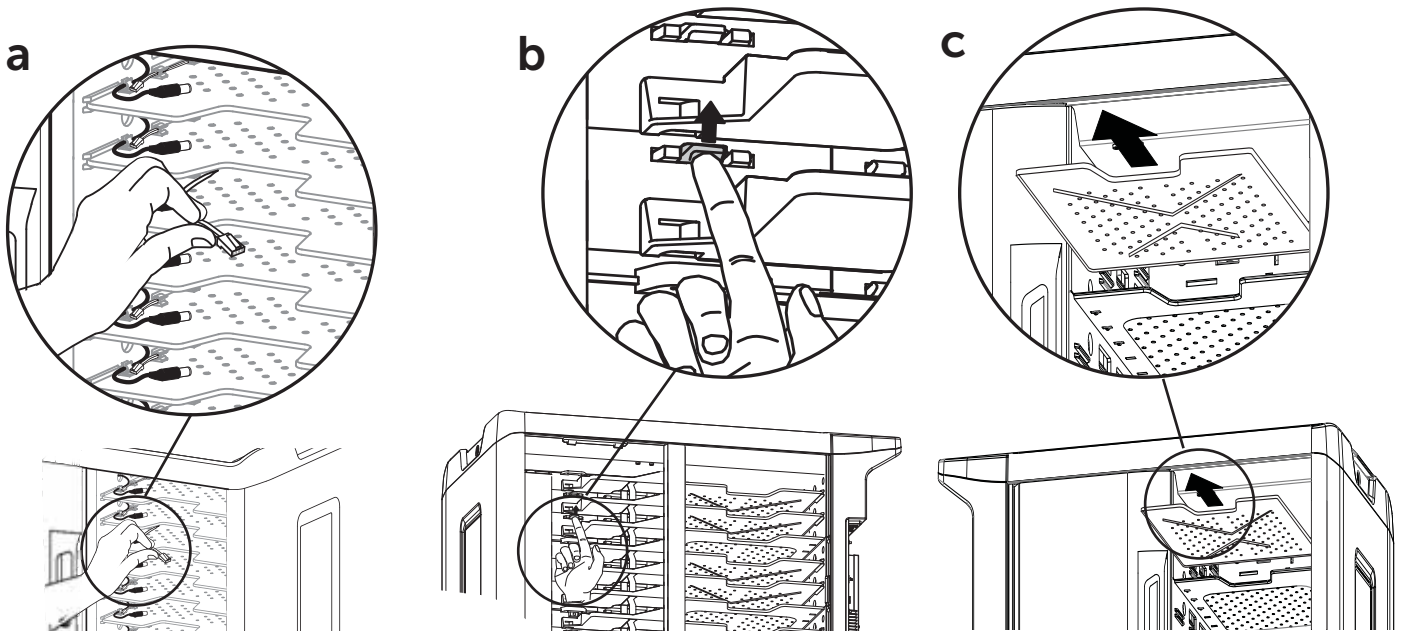
Todas parpadean

Sobretensión. Restablezca el sistema retirando los dispositivos sobrantes de la toma eléctrica auxiliar. Desenchufe y vuelva a enchufar el carro.

NOTA: El estado de carga de los dispositivos móviles individuales se puede consultar directamente en los propios dispositivos móviles.


Retirada del estante para ordenadores portátiles

- Desconecte el cable Ethernet
- Libere el estante levantando la pestaña.
- Saque el estante.



Asistencia técnica y garantía

Para mantenimiento, visite www.ergotron.com/Dell
o www.dell.com/support

 **NOTA:** Cuando se ponga en contacto con el servicio de atención al cliente, mencione el número de serie ubicado encima del compartimento de gestión de cables externo.

El número de serie es necesario para hacer uso de la garantía.

Made in China DP/N 00317X
CN-00317X-ERD00-XXX-###
Service Tag: ABC1234
Rev A00



Especificaciones

Sistema de alimentación

100-120V~, 12A 50/60Hz

WAP and Switch outlets

100-120V~, 8A MAX, 50/60 Hz

Power storage for Ethernet Switch located under secure top panel

Ethernet Switch (Customer Provided) 444 x 279 x 51 mm (17.5 x 11 x 2-inches)

Wireless Access Point (Customer Provided) 178 x 178 x 64 mm (7 x 7 x 2-inches)

Dimensiones físicas del carro

Altura 1,060 mm (41.7-pulgadas)

Longitud 940.6 mm (37-pulgadas)

Anchura 640 mm (25.2-pulgadas)

Peso (sin dispositivos móviles) 87 kg (191.8 lb)

Capacidad de peso:

Superficie superior 11.3 kg (25 lb)

Estantes 2.7 kg (6 lb)

Prueba y ángulo de volcado 10 grados

Generalmente compatible con la mayoría de los modelos de 14" y con algunos modelos de 15.6". Compatible con los siguientes modelos Dell 15.6": E5540 (requiere il right-angle Adapter kit , vendido de forma separada) y E6540.

Ambiente

Rango de temperatura:

Funcionamiento 0° to 30°C (de 32° to 86°F)

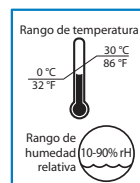
Almacenamiento -29° to 60°C (de -20° to 140°F)

Relative humidity (maximum):

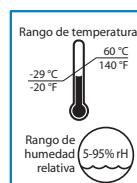
Funcionamiento 10%–90% (sin condensación)

Almacenamiento 5%–95% (sin condensación)

Altitud (máxima): 2000 m (6,562 pies)



Funcionamiento







Almacenamiento

Alertas de seguridad del producto


Revisión de los símbolos de peligro


Estos símbolos les alertan a los usuarios sobre una cuestión de seguridad que requiere su atención. Todos los usuarios del carro deberían poder reconocer y comprender el significado de los siguientes peligros de seguridad si se encuentra con ellos en el carro o en la documentación del carro. ¡Los niños que no puedan reconocer y responder de forma adecuada a las alertas de seguridad no deben utilizar el carro sin la supervisión de un adulto!

Símbolo	Indicador	Grado de peligro
	NOTA	Una NOTA indica información importante que le ayuda a utilizar mejor el carro.
	PELIGRO	Un PELIGRO indica la probabilidad de dañar el hardware o de perder datos, y le señala la forma de evitar el problema.
	ADVERTENCIA	AUna ADVERTENCIA indica la probabilidad de daños materiales, lesiones personales o muerte.
	ELÉCTRICO	ELÉCTRICO indica un peligro eléctrico inminente que, si no se evita, puede dar lugar a lesiones personales, incendios y/o la muerte.


Seguridad eléctrica del equipo

Existen riesgos específicos asociados con el uso de equipos que incluyen cables de alimentación. Es necesario que conozca dichos riesgos y los evite cuando haya niños cerca del carro.


 **ADVERTENCIA:** En caso de no prestar atención a los siguientes avisos de seguridad eléctrica, pueden producirse incendios o muertes por descargas eléctricas.


 **ELÉCTRICO:** Los cables eléctricos pueden ser peligrosos. Usarlos de manera inadecuada puede causar un incendio o muerte por descarga eléctrica.

- Polo doble / Fusible neutro
- Inspeccione detenidamente los cables de alimentación antes de cada uso.
- No utilice cables que estén dañados.
- Inserte el enchufe completamente en la toma.
- Agarre el enchufe para retirarlo de la toma.
- No lo desenchufe tirando del cable.
- No utilice fuerza excesiva para hacer las conexiones.
- Utilice solamente adaptadores de alimentación Dell con los sistemas Dell de este carro.
- No enchufe el cable a una extensión.
- No retire, doble ni modifique ninguna punta o pasador de metal del cable.
- No desplace, arrastre ni coloque objetos encima del cable.
- No pise el cable.
- Evite sobrecalentamientos. Desenrolle el cable y no lo cubra con ningún material.
- No extienda cables a través de puertas, agujeros en techos o paredes ni suelos.

 **ELÉCTRICO: Mantenga el carro alejado del agua.**

- No lo utilice si está mojado.
- No coloque el carro cerca de líquidos o gases inflamables.

 **PRECAUCIÓN:** ¡Cumpla todas las precauciones de seguridad relacionadas con el funcionamiento y mantenimiento del carro Dell que se incluyen en esta guía de referencia! En caso de no respetar las precauciones de seguridad, podrían producirse lesiones físicas o daños en el equipo.


 **PRECAUCIÓN:** No hay un interruptor de encendido/apagado de este equipo; la única manera de desconectar la alimentación es desenchufar el cable de alimentación de CA. Por lo tanto, el enchufe deberá tener fácil acceso y deberá instalarse cerca del equipo.

 **¡PELIGRO!**
Riesgo de Descarga Eléctrica

¡PELIGRO! Los cables eléctricos pueden ser peligrosos. Usarlos de manera inadecuada puede causar un incendio o muerte por descarga eléctrica.





Limpieza y mantenimiento

 **ADVERTENCIA:** El incumplimiento de los siguientes avisos de seguridad puede causar lesiones físicas graves y daños en el equipo.


Examine el equipo en busca de daños, polvo y suciedad de manera regular. Todos los componentes pintados y de plástico del carro pueden limpiarse con soluciones de uso más común, diluidas y sin abrasivos, como los compuestos de amoníaco cuaternario; limpiadores enzimáticos de amoníaco; blanqueadores o soluciones alcohólicas. Se recomienda probar cualquier solución limpiadora en un área pequeña y oculta para asegurar que la superficie del carro no se dañe.


- Las marcas de rotuladores permanentes o de borrado en seco y bolígrafos pueden quitarse con alcohol isopropílico al 91% y un paño suave.
- Las manchas de yodo pueden quitarse con limpiadores de uso común y un paño suave.
- No use estropajo de acero u otros materiales abrasivos que podrían estropear el acabado de la superficie.


 **ELÉCTRICO:** Para evitar el riesgo de descargas eléctricas, no exponga los componentes eléctricos al agua, soluciones limpiadoras u otros líquidos o sustancias potencialmente corrosivos.


 **ELÉCTRICO:** No sumerja el carro ni sus componentes en líquidos, ni permita que penetren en el carro. Retire inmediatamente con un paño húmedo todos los limpiadores de la superficie. Seque completamente la superficie después de limpiarla.

 **ELÉCTRICO:** No emplee limpiadores inflamables en las superficies del carro.

 **PRECAUCIÓN:** Ajuste, mantenimiento y sustituciones: NO intente ajustar, realizar mantenimiento ni reemplazar ninguna pieza del carro salvo que reciba instrucciones mediante documentos aprobados por Ergotron (p. ej.: instrucciones de instalación). Solo Ergotron, Inc. o una empresa certificada por Ergotron pueden ajustar, realizar mantenimiento o cambiar componentes del carro. No utilice el carro si le falta algún componente o si hay alguno dañado. Póngase en contacto inmediatamente con Ergotron para solicitar una pieza de cambio.

 **PRECAUCIÓN:** Ruedas de bloqueo: Revise las ruedas periódicamente para asegurarse de que estén limpias y libres de suciedad que podría impedir un recorrido uniforme. Evite mover el carro por superficies desniveladas, sucias o dañadas.

 **PRECAUCIÓN:** Equipo del cliente: Asegúrese de que esté en equilibrio e instalado firmemente en el carro. Póngase en contacto con el servicio de atención al cliente de Ergotron para obtener información acerca del movimiento de los componentes del carro.

 **PRECAUCIÓN:** Los cambios o modificaciones que Ergotron no haya aprobado expresamente podrían anular la autoridad del usuario para utilizar el equipo.

Recomendaciones para un uso seguro

Existen riesgos específicos asociados al uso del carro, tanto en movimiento como estacionario (para cargar tabletas o para guardarlo). Es necesario que conozca dichos riesgos y los evite cuando haya niños cerca del carro.

 **ADVERTENCIA:** El incumplimiento de los siguientes avisos de seguridad del carro puede causar lesiones físicas graves y dañar el equipo.

Solamente los adultos pueden mover el carro.

- No permita que nadie se sienta o se suba encima del carro.
- No eleve el carro desde su parte inferior.
- No bloquee los ventiladores ni las rejillas de ventilación. Para prevenir sobrecalentamientos, deje un espacio libre de 127 mm (5 pulgadas), como mínimo, alrededor de ventiladores y rejillas.

El carro está diseñado para uso exclusivo en interiores.

- No utilice el carro para transportar ni almacenar equipos que no vengan especificados en este manual.
- No utilice el carro para guardar líquidos ni productos de limpieza.
- No coloque objetos pesados en la superficie ni en el estante del carro.
 - La superficie de trabajo soporta un peso máximo de 11,4 kg (25 lb).
 - El estante soporta un peso máximo de 22,5 kg (49,5 lb)..

Desplazamiento del carro

- Antes de desplazar el carro:
 1. Desconecte el cable de alimentación de la pared.
 2. Compruebe que el cable esté recogido y fijo.
 3. Cierre y bloquee las puertas.
 4. Retire los elementos que haya en la superficie de trabajo.
 5. Desbloquee las ruedas.
- Empuje el carro (no tire de él) para facilitar la maniobrabilidad y prevenir lesiones musculares.
- No desplace el carro por superficies en mal estado, desniveladas o irregulares, como por ejemplo gravilla.

Estacionamiento del carro

Siga estas alertas de seguridad cuando el carro esté estacionado:

- No estacione el carro en zonas muy transitadas.
- No extienda cables a través de puertas, agujeros en techos o paredes ni suelos.
- No extienda cables en pasillos, aulas u otras zonas donde haya transeúntes.
- No deje el carro desatendido en zonas a las que tengan acceso los niños.
- Mantenga las puertas del carro cerradas y bloqueadas cuando esté desatendido o estacionado para cargar portátiles o en almacenamiento.
- Mantenga bloqueadas las ruedas cuando el carro esté desatendido.



Seguridad, medio ambiente e información normativa

Notificaciones reglamentarias

Para obtener información reglamentaria adicional, visite la página de inicio sobre conformidad reglamentaria en www.dell.com, en la dirección siguiente: www.dell.com/regulatory_compliance.

Waste Electrical and Electronic Equipment (WEEE) Directive

This label indicates that this product should not be disposed of with household waste. It should be deposited at an appropriate facility to enable recovery and recycling. For information on how to recycle this product in your country, please visit: Dell.com/recycle.

Директива относно отпадъци от електрическо и електронно оборудване (OEEO)

Този етикет означава, че този продукт не бива да се изхвърля заедно с домакинските отпадъци. Той трябва да бъде изхвърлен на подходящо място, за да се позволи възстановяването или рециклирането му. За информация относно отговорността за рециклиране на този продукт във вашата страна посетете: Dell.com/recycle.

Směrnice o odpadních elektrických a elektronických zařízeních (OEEZ)

Tento štítek označuje, že tento produkt nesmí být likvidován s domovním odpadem. Musí být předán specializované sběrně k recyklaci a dalšímu využití. Pokyny o recyklaci tohoto produktu ve vaší zemi viz adresa Dell.com/recycle.

Direktiv for bortskaffelse af elektrisk og elektronisk udstyr (WEEE)

Denne etiket indikerer, at dette produkt ikke bør kasseres sammen med husholdningsaffald. Det bør bortskaffes ved en egnet facilitet for at muliggøre genbrug. For information om hvordan dette produkt genbruges i dit land, bedes du gå til: Dell.com/recycle.

WEEE-richtlijn, Waste Electrical and Electronic Equipment (afdanken van elektrische en elektronische apparaten)

Dit label geeft aan dat dit product niet via huishoudelijk afval mag worden afgedankt. Het moet worden gedoneerd bij een daarvoor geschikte voorziening zodat herstel en recycling mogelijk zijn. Raadpleeg voor meer informatie over verantwoorde recycling van dit product in uw land de website: Dell.com/recycle.

Elektriliste ja elektroniliste seadmete kasutusjärgne töötlemine (direktiiv WEEE)

Selline silt tähistab toodet, mida ei tohi pärast kasutust olmejäätmete hulka visata. Tootle toode tuleb viia jäätmekäitlusettevõttele, kus seda nõuetekohaselt töödeldakse. Toote käitlemise kohta oma kodumaal leiate teavet aadressilt Dell.com/recycle.

Direttiva Rifiuti di apparecchiature elettriche ed elettroniche (RAEE)

Questa etichetta indica che il prodotto non deve essere smaltito insieme ai rifiuti domestici. Deve essere depositato in un impianto adeguato che sia in grado di eseguire operazioni di recupero e riciclaggio. Per informazioni sulle procedure di riciclaggio di questo prodotto nel proprio Paese, visitare: Dell.com/recycle.

Direktiivi sähkö- ja elektroniikkalaiteromusta (WEEE)

Tämä tarra tarkoittaa, että tuotetta ei tule hävittää kotitalousjätteen joukossa. Se tulee toimittaa asianmukaiseen paikkaan uudelleenkäyttöä tai kierrätystä varten. Tietoja tämän kierrättämisestä eri maissa saat seuraavasta osoitteesta: Dell.com/recycle.

Directive sur la mise au rebut des appareils électriques et électroniques (Waste Electrical and Electronic Equipment - WEEE)

Cette étiquette indique que ce produit ne doit pas être jeté avec les déchets ménagers. Il doit être mis au rebut dans un centre de dépôt spécialisé pour un recyclage approprié. Pour obtenir davantage d'informations sur le recyclage approprié de ce produit dans votre pays, veuillez vous rendre sur le site : Dell.com/recycle.

Richtlinie für Abfall von elektrischen und elektronischen Geräten (WEEE)

Dieses Etikett weist darauf hin, dass dieses Produkt nicht mit dem Hausmüll entsorgt werden sollte. Es sollte an einer entsprechenden Einrichtung abgegeben werden, um Wiedergewinnung und Recycling zu ermöglichen. Weitere Informationen über das Recyceln dieses Produkts erhalten Sie unter: Dell.com/recycle.

Οδηγία σχετικά με τα απόβλητα ειδών ηλεκτρικού και ηλεκτρονικού εξοπλισμού (AHHE)

Αυτή η ετικέτα υποδεικνύει ότι το συγκεκριμένο προϊόν δεν πρέπει να απορρίπτεται μαζί με τα οικιακά απορρίμματα. Θα πρέπει να αποκομίζεται σε κατάλληλο χώρο ώστε να είναι δυνατή η ανάκτηση και η ανακύκλωση. Για πληροφορίες σχετικά με την ανακύκλωση αυτού του προϊόντος στη χώρα σας, επισκεφθείτε τη διεύθυνση: Dell.com/recycle.

Waste Electrical and Electronic Equipment (WEEE), az az elektromos és elektronikus berendezések hulladékaira vonatkozó irányelv

Az ilyen címkével jelölt terméket tilos háztartási hulladékként kezelni. Az ilyen hulladékat a helyreállítathóság és az újrahasznosíthatóság érdekében a megfelelő elfogadóhelyre kell szállítani. A termék saját országán belül érvényes újrahasznosításával kapcsolatban információt a következő weboldalon talál: Dell.com/recycle.

Direttiva Rifiuti di apparecchiature elettriche ed elettroniche (RAEE)

Questa etichetta indica che il prodotto non deve essere smaltito insieme ai rifiuti domestici. Deve essere depositato in un impianto adeguato che sia in grado di eseguire operazioni di recupero e riciclaggio. Per informazioni sulle procedure di riciclaggio di questo prodotto nel proprio Paese, visitare: Dell.com/recycle.

Direktiva par elektrisko un elektronisko iekārtu atkritumiem (EEIA)

Šis apzīmējums norāda, ka produktu nedrīkst izmest kopā ar sadzīves atkritumiem. Tas ir jānodod atbilstošā savākšanas punktā, lai parasti atjaunotu vai pārstrādātu. Informāciju par šī produkta pārstrādes iespējām jūs varat skatīt: Dell.com/recycle.

Direktiva dėl elektros ir elektroninės įrangos atliekų (Waste Electrical and Electronic Equipment, WEEE)

Šis ženklas rodo, kad šio gaminio negalima išmesti kartu su buitinėmis atliekomis. Nebenaudojamą gaminį reikia atiduoti į tam skirtą punktą atnaujinti arba perdirbti. Informacijos apie tinkamą šio gaminio perdirbimą jūsų šalyje rasite interneto svetainėje: Dell.com/recycle.

Direttiva dwar Skart magħmul minn Tagħmir Elettroniku u Elettriku (Waste Electrical and Electronic Equipment - WEEE)

Din it-tikketta tindika li dan il-prodott m'għandux jintrema mal-iskart domestiku. Għandu jintrema f'faċilità adatta fejn "kun jista' jiġi rċuprat u nikklat. Għal aktar taġġir dwar kif għandek tinnikkla dan il-prodott fil-pajjiz tiegħek, jekk jogħġbok zur: Dell.com/recycle.

Direktivet om elektrisk og elektronisk utstyr (WEEE)

Dette merket angir at produktet ikke skal kastes sammen med husholdningsavfall. Det skal leveres til et mottak for spesialavfall for gjenvinning og resirkulering. Du finner informasjon om hvordan du resikulerer dette produktet i ditt land her: Dell.com/recycle.

Dyrektiva dotycząca odpadów urządzeń elektrycznych i elektronicznych (WEEE)

Etykieta ta oznacza, że tego produktu nie należy wyrzucać razem z odpadami z gospodarstwa domowego. Należy go przekazać do odpowiedniego zakładu, gdzie zostanie poddany odzyskowi i recyklingowi. Informacje o sposobie recyklingu tego produktu w poszczególnych krajach można znaleźć pod adresem: Dell.com/recycle.

Direttiva WEEE (Waste Electrical and Electronic Equipment)

Esta etiqueta indica que esse produto não deve ser eliminado juntamente com o lixo normal. Deve ser depositado numa instalação apropriada para recolha e reciclagem. Para obter informações sobre como reciclar este produto de forma responsável no seu país, visite: Dell.com/recycle.

Direttiva privind deșeurile provenite din echipamentele electrice și electronice (WEEE)

Această etichetă indică faptul că acest produs nu trebuie aruncat laolaltă cu gunoial menajere. Trebuie depozitat într-un loc special amenajat pentru a permite recuperarea și reciclarea. Pentru informații privitoare la reciclarea acestui produs în țara dvs., accesați: Dell.com/recycle.

Директива об утилизации электрического и электронного оборудования (WEEE)

Эта маркировка означает, что данный продукт не следует утилизировать вместе с бытовым мусором. Продукт следует утилизировать на специализированном предприятии, чтобы в дальнейшем его можно было переработать. Информацию о правилах утилизации изделия в вашей стране можно получить на веб-узле Dell.com/recycle.

Smernica o odpadoch z elektrických a elektronických zariadení (WEEE)

Tento štítok znamená, že sa výrobok nesmie likvidovať ako komunálny odpad. Musí sa odovzdať na príslušnom mieste na obnovu alebo recykláciu. Informácie o správnej recyklácii tohto produktu vo vašej krajine nájdete na stránke: Dell.com/recycle.

Direttiva o odlaganju električne in elektronske opreme (WEEE)

Ta znak označuje, da izdelek ni primeren za odlaganje skupaj z običajnimi gospodinjскими odpadki. Odložiti ga je treba na ustreznem mestu za odlaganje in reciklazo. Za informacije o reciklazi tega izdelka v vaši državi obiščite: Dell.com/recycle.

Residuos de Aparatos Eléctricos y Electrónicos (RAEE)

Esta etiqueta indica que la eliminación de este producto no se puede hacer junto con el deshecho doméstico. Se debe depositar en una instalación apropiada que facilite la recuperación y el reciclado. Para obtener más información sobre cómo reciclar este producto en su país, visite el sitio web: Dell.com/recycle.

Direktiv för kassering av elektrisk och elektronisk utrustning (WEEE - Waste Electrical and Electronic Equipment)

Den här etiketten betyder att produkten inte får slängas i hushållsavfallet. Den ska lämnas in på en återvinningsstation. Information om hur produkten återvinns i ditt land finns på adressen Dell.com/recycle. Inom EU betyder den här etiketten att produkten inte får slängas i hushållsavfallet. Den ska lämnas in på en återvinningsstation. Information om hur produkten återvinns i ditt land finns på adressen Dell.com/recycle.

Atik Elektrikli ve Elektronik Ekipman (WEEE) Yönergeleri

Bu etiket, ürünün ev elektrikli aletleri atılan ile imha edilemeyeceğini gösterir. Kurtarmak ve geri dönüşümünü sağlamak için uygun şartlarda saklanması gerekir. Bu ürünün geri dönüşümünün nasıl sağlanacağı konusunda bilgi için lütfen şu adresi ziyaret edin: Dell.com/recycle.

ESPAÑOL

Seguridad, medio ambiente e información normativa

Declaración de cumplimiento con las normas de la FCC

Este carro ha sido sometido a pruebas y cumple los límites para dispositivos digitales Clase A conforme a la sección 15 de las normas FCC. Estos límites están diseñados para proporcionar una protección razonable contra interferencias dañinas cuando se trabaja con el aparato en un entorno comercial. Este equipo genera, usa y puede irradiar energía de radiofrecuencia y, de no ser instalado y usado de acuerdo con las instrucciones, puede provocar interferencias perjudiciales a las comunicaciones por radio. El funcionamiento de este equipo en una zona residencial puede provocar interferencias, en cuyo caso el usuario deberá corregirlas por su cuenta.

El funcionamiento de este equipo queda sujeto a las dos condiciones siguientes: (1) este dispositivo no debe provocar interferencias perjudiciales, y (2) este dispositivo debe aceptar cualquier interferencia recibida que pueda provocar un funcionamiento no deseado.

Advertencia de FCC: Los cambios o modificaciones no aprobados expresamente por Ergotron podrían anular la autoridad del usuario para utilizar el equipo.

Este aparato digital de Clase A cumple la norma canadiense CAN ICES-3(A)/NMB-3(A). / Cet appareil numérique de la classe A est conforme à la norme CAN ICES-3(A)/NMB-3(A) du Canada.

Registration, Evaluation, Authorization of Chemicals (REACH)

REACH is the European Union (EU) chemical substances regulatory framework. Information on substances of very high concern contained in Dell products in a concentration above 0.1% weight by weight (w/w) can be found at Dell.com/REACH.

Регламент относно регистрацията, оценката, разрешаването и ограничаването на химикали (REACH)

REACH е регулаторната рамка на Европейския съюз (ЕС) за химически вещества. Информация за вещества с много голяма важност, съдържащи се в изделия на Dell в концентрация над 0,1% обемни процента (w/w), може да се намери на адрес Dell.com/REACH.

Směrnice REACH (Registration, Evaluation, Authorization of Chemicals)

REACH označuje v Evropské unii (EU) regulační rámec chemických látek. Informace o nebezpečných látkách, které jsou ve výrobních společnostech Dell obsaženy v koncentraci větší než 0,1 hmotnostních procent, naleznete na adrese Dell.com/REACH.

Registration, Evaluation, Authorization of Chemicals (REACH)

REACH er forordningsstrukturen for kemiske stoffer i den Europæiske Union (EU). Oplysninger om substanser, som er af stor bekymning, og som er indeholdt i Dell-produkter i en koncentration over 0,1 vægtprocent kan findes på Dell.com/REACH.

Registration, Evaluation, Authorization of Chemicals (REACH)

REACH is het regelgevingskader van de Europese Unie (EU) op het gebied van chemische stoffen. Informatie over zeer gevaarlijke stoffen in Dell-producten in een concentratie van boven de 0,1% gewicht per gewicht (w/w) is te vinden op Dell.com/REACH.

Kemikaalid registreerimine, hindamine ja autoriseerimine (REACH)

REACH on kemikaale käsitlev Euroopa Liidu (EU) regulatiivne raamistik. Teave ohutike ainetest koostis, mis sisalduvad Dell toodetes kontsentratsioonides üle 0,1 massiprotsendi, on saadaval aadressil Dell.com/REACH.

Kemikaalien rekisteröinti, arviointi ja lupamenettelyt (REACH)

REACH on Euroopan unionin (EU) kemiallisten aineiden puitekehyks. Tietoa haitallista ainesta, joiden massaprosentti (w/w) Dellin tuotetuissa on enimminkin kuin 0,1 prosenttia, on osoitteessa Dell.com/REACH.

Enregistrement, évaluation, autorisation des produits chimiques (REACH)

REACH est le programme de réglementation des produits chimiques dans l'Union européenne (UE). Vous trouverez des informations sur les substances très préoccupantes que contiennent les produits Dell en concentration supérieure à 0,1 % en poids par poids (p/p) sur Dell.com/REACH.

Registrierung, Beurteilung und Zulassung von Chemikalien (REACH, Registration, Evaluation, Authorization of Chemicals)

Die EU-Richtlinie REACH ist das Regelwerk der Europäischen Union für chemische Substanzen. Informationen zu bedenklichen Substanzen, die in Dell-Produkten in einer Konzentration von mehr als 0,1 Gewichtsprozent (w/w, Weight by Weight) enthalten sind, finden Sie unter Dell.com/REACH.

Οδηγία REACH (Καταχώριση, αξιολόγηση και αδειοδότηση χημικών προϊόντων)

Η οδηγία REACH είναι το κανονιστικό πλαίσιο της ΕΕ για τις χημικές ουσίες. Πληροφορίες σχετικά με ουσίες που προκαλούν πολύ μεγάλη ανησυχία και περιέχονται σε προϊόντα της Dell σε συγκέντρωση άνω του 0,1% κατά βάρος (κ.β.) μπορείτε να βρείτε στη διεύθυνση Dell.com/REACH.

A vegyi anyagok regisztrálására, értékelésére, engedélyezésére és korlátozására vonatkozó szabályozás (REACH)

A REACH az Európai Unió (EU) vegyi anyagokra vonatkozó szabályozó keretrendszer. A Dell termékekben 0,1% feletti arányban található veszélyes anyagokról a következő címen található bővebb információkat: Dell.com/REACH.

Registrazione, valutazione e autorizzazione delle sostanze chimiche (REACH)

REACH è il quadro normativo delle sostanze chimiche dell'Unione Europea (UE). Le informazioni sulle sostanze estremamente problematiche contenute nei prodotti Dell in una concentrazione superiore allo 0,1% in peso per peso (p/p) sono disponibili all'indirizzo Dell.com/REACH.

Ķīmisko vielu registrācija, vērtēšana, autorizācija (REACH)

REACH ir Eiropas Savienības (ES) ķīmisko vielu regulēšanas sistēma. Informāciju par īpaši bīstamām ķīmiskajām vielām, ko satur Dell produkti koncentrācijā virs 0,1% svaram uz svaru (w/w), var atrast vietnē Dell.com/REACH.

Cheminių medžiagų registracija, įvertinimas, autorizacija (REACH)

REACH yra Europos Sąjungos (ES) cheminių medžiagų kontrolės sistema. Informaciją apie didelį susirūpinimą keliančias medžiagas, kurių koncentracija „Dell“ produktuose pagal svorį yra didesnė nei 0,1% svorio (s/s), galima rasti adresu Dell.com/REACH.

Registrazzjoni, Evalwazzjoni, Awtorizzazzjoni ta' Kimiċi (REACH)

REACH hu l-għafas regolatorju tal-Unjoni Ewropea (UE) għal sustanzi kimiki. Informazzjoni dwar sustanzi li jikkawżaw tħassib kbir fi prodotti ta' Dell f'koncentrazzjoni ta' iżjed minn 0,1% piz b'piz (w/w) tista' tintab t' Dell.com/REACH.

Registrering, vurdering og godkjenning av kjemikalier (REACH)

REACH er Den europeiske union (EU)s forskriftsmessige rammeverk for kjemiske stoffer. Informasjon om farlige stoffer i Dell-produkter i en konsentrasjon over 0,1 % vektprosent (w/w) finnes på Dell.com/REACH.

Rozporządzenie REACH (ang. Registration, Evaluation, Authorization of Chemicals)

REACH jest rozporządzeniem Unii Europejskiej (UE) dotyczącym substancji chemicznych. Informacje na temat istotnych substancji obecnych w produktach Dell w stężeniu procentowym masowym powyżej 0,1% można znaleźć pod adresem Dell.com/REACH.

REACH (Registration, Evaluation, Authorization of Chemicals - Registro, avaliação e autorização de substâncias químicas)

O REACH é o sistema regulador de substâncias químicas da União Europeia (UE). As informações sobre substâncias que são motivo de grande preocupação existentes nos produtos Dell numa concentração acima de 0,1% peso por peso (p/p) podem ser encontradas em Dell.com/REACH.

Înregistrarea, evaluarea și autorizarea substanțelor chimice (REACH)

REACH este cadrul de reglementare a substanțelor chimice în Uniunea Europeană (UE). Informații privind substanțele periculoase continute în produsele Dell în concentrații mai mari de 0,1 % din greutate pot fi găsite la adresa web Dell.com/REACH.

Регламент по регистрации, оценке, разрешению и ограничению использования химических веществ (REACH)

REACH - это документ Европейского союза, регламентирующий использование химических веществ. Информация о веществах, содержащихся в продукции Dell в массовой концентрации более 0,1 % (работа с ними требует повышенной осторожности), приведена на сайте Dell.com/REACH.

Registračia, vyhodnotenie, autorizácia chemikálií (REACH)

REACH je regulačný rámec chemických látok Európskej únie. Informácie o látkach s veľmi vysokou nebezpečnosťou obsiahnutých v produktoch Dell v koncentrácii vyššej ako 0,1 hmotnostných % (w/w) môžete nájsť na adrese Dell.com/REACH.

Registračia, evalvacija, avtorizacija kemikalij (REACH)

REACH je regulativni okvir Evropske unije (EU) za kemične snovi. Informacije o izjemno problematičnih snoveh, ki so v izdelkih podjetja Dell prisotne v koncentracijah nad 0,1 % glede na maso (t/t), so na voljo na strani Dell.com/REACH.

Registro, evaluación y autorización de productos químicos (REACH)

REACH es el organismo de regulación de sustancias químicas de la Unión Europea (UE). La información sobre sustancias de alto riesgo contenidas en productos Dell en una concentración superior al 0,1% peso por peso (p/p) se puede encontrar en Dell.com/REACH.

REACH (Registration, Evaluation, Authorization of Chemicals - registrering, utvärdering, auktorisation av kemikalier)

REACH är den europeiska unionens (EU) regelverk för kemikaliska ämnen. Information om angående ämnen i Dell-produkter med koncentration över 0,1 % vikt per vikt (w/w) finns på Dell.com/REACH.

Kimyasal Maddeleri Kaydetme, Değerlendirme ve Onaylama (REACH)

REACH, Avrupa Birliği'nin (AB) kimyasal maddelerle ilgili mevzuatıdır. Dell ürünlerindeki bulunan, ağırlıkça (w/w) %0,1'in üzerinde yoğunluğa sahip yüksek önem arz eden maddelerle ilgili bilgi için: Dell.com/REACH sitesini ziyaret edin.

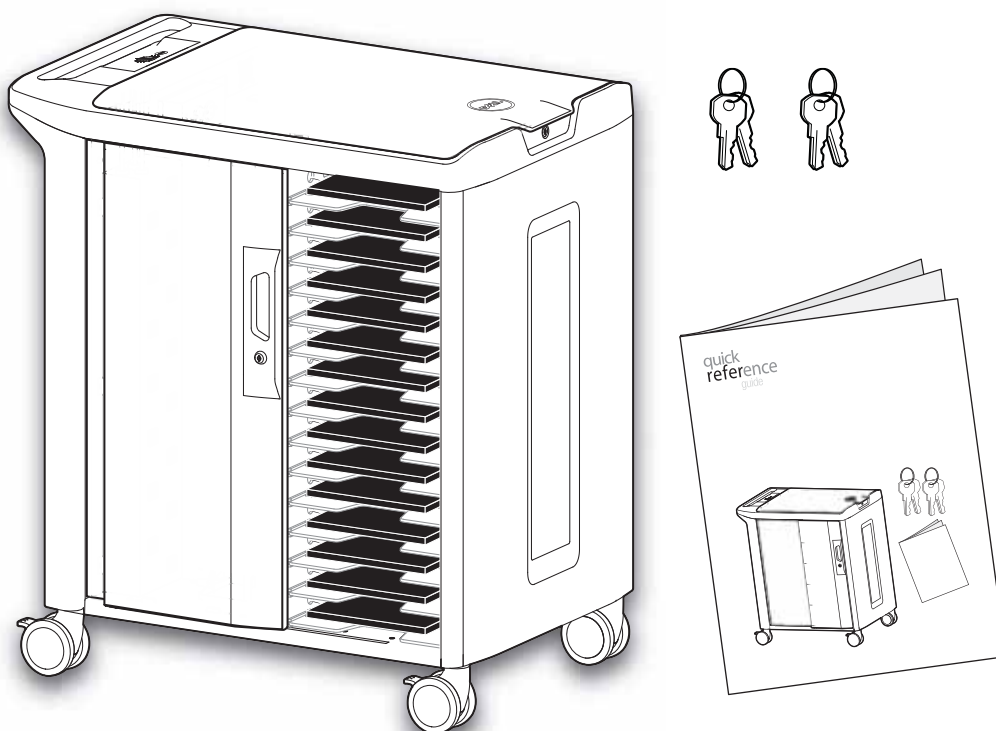


SOLUCIÓN PERSONALIZADA DE ERGOTRON PARA DELL
Para mantenimiento, visite www.ergotron.com/Dell
o www.dell.com/support

ergotron[®]

© 2015 Ergotron, Inc. All rights reserved.

While Ergotron, Inc. makes every effort to provide accurate and complete information on the installation and use of its products, it will not be held liable for any editorial errors or omissions (including those made in the process of translation from English to another language), or for incidental, special or consequential damages of any nature resulting from furnishing this instruction and performance of equipment in connection with this instruction. Ergotron, Inc. reserves the right to make changes in the product design and/or product documentation without notification to its users. For the most current product information, or to know if this document is available in languages other than those herein, please contact Ergotron. No part of this publication may be reproduced, stored in a retrieval system, or transmitted in any form or by any means, electronic, mechanical, photocopying, recording or otherwise without the prior written consent of Ergotron, Inc., 1181 Trapp Road, Eagan, Minnesota, 55121, USA Patents Pending and Patented U.S. & Foreign. Ergotron is a registered trademark of Ergotron, Inc.



Chariot de chargement compatible réseau Dell™ - 30 appareils

Le chariot de chargement compatible réseau Dell™ transporte, sécurise et gère 30 ordinateurs portables, Chromebooks, Ultrabooks ou tablettes.

Modèles :
ERGITD-009



0KF7DTA00

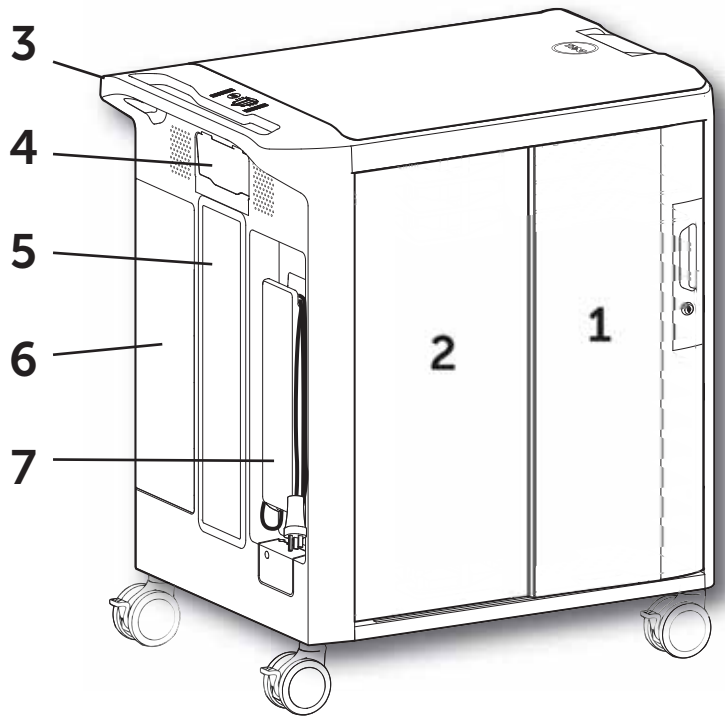
Pour toute information sur le service, visitez
www.ergotron.com/Dell ou www.dell.com/support.

Chariot de chargement compatible réseau Dell™ - 30 appareils

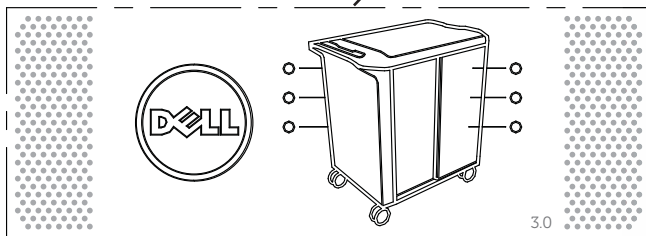
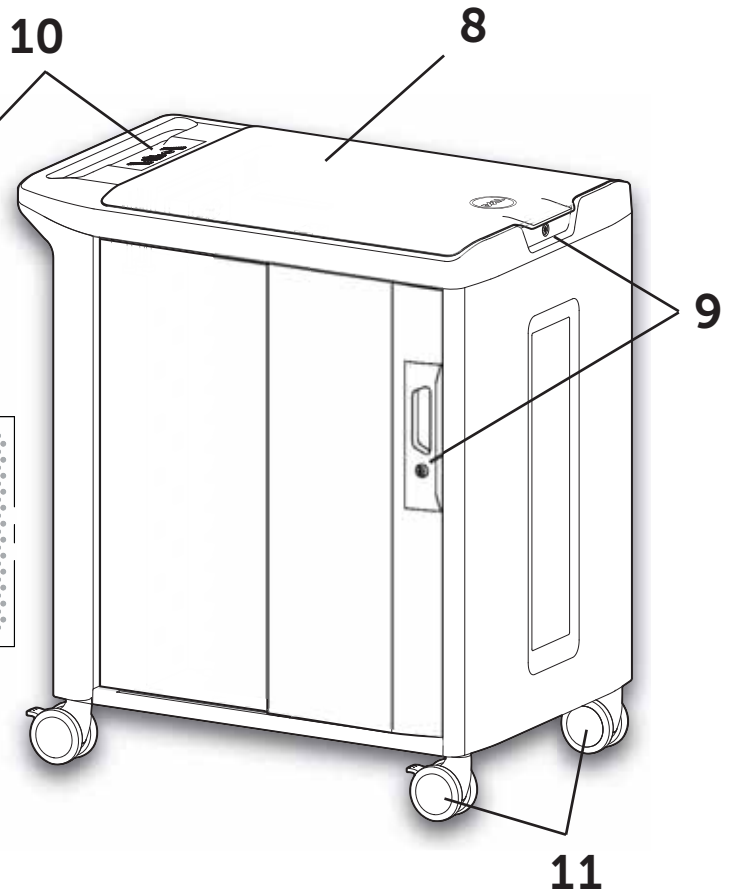
Caractéristiques externes

FRANÇAIS

- 1 Porte coulissante pour le compartiment de dispositifs
- 2 Porte pour le compartiment de l'adaptateur d'alimentation
- 3 Poignée ergonomique
- 4 Sorties auxiliaires
- 5 Ventilateurs de refroidissement
- 6 Compartiment de gestion de l'alimentation
- 7 Système d'enroulement du cordon



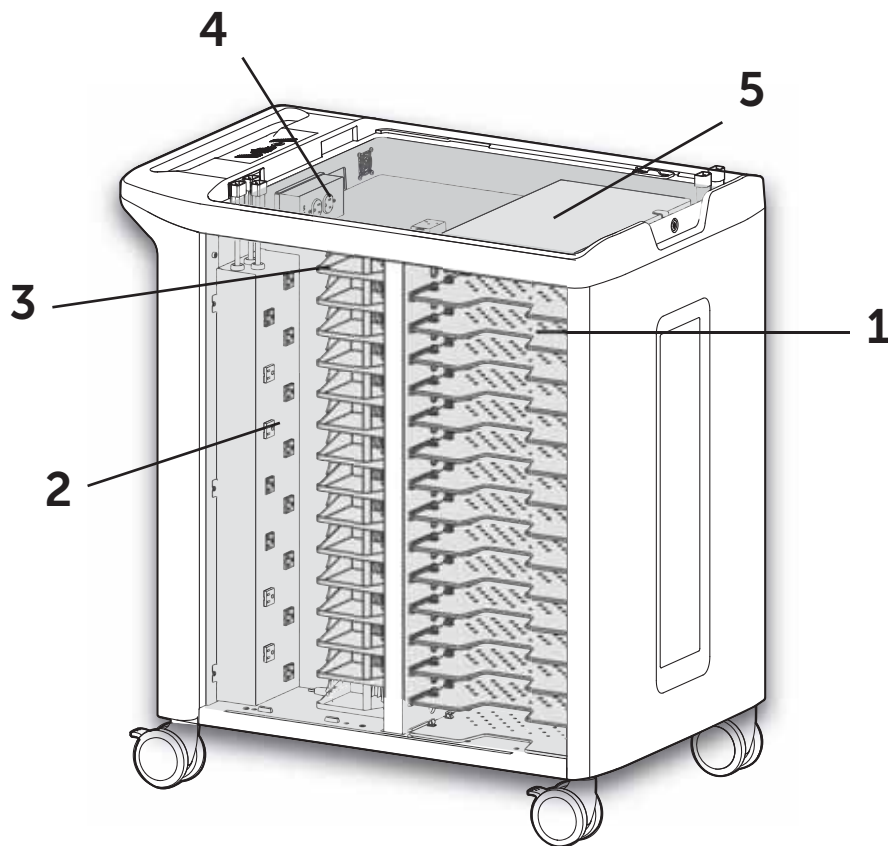
- 8 Compartiment supérieur
- 9 Cadenas
- 10 Indicateurs du statut de mise sous/hors tension/pannes
- 11 Casters




Chariot de chargement compatible réseau Dell™ - 30 appareils

Caractéristiques internes

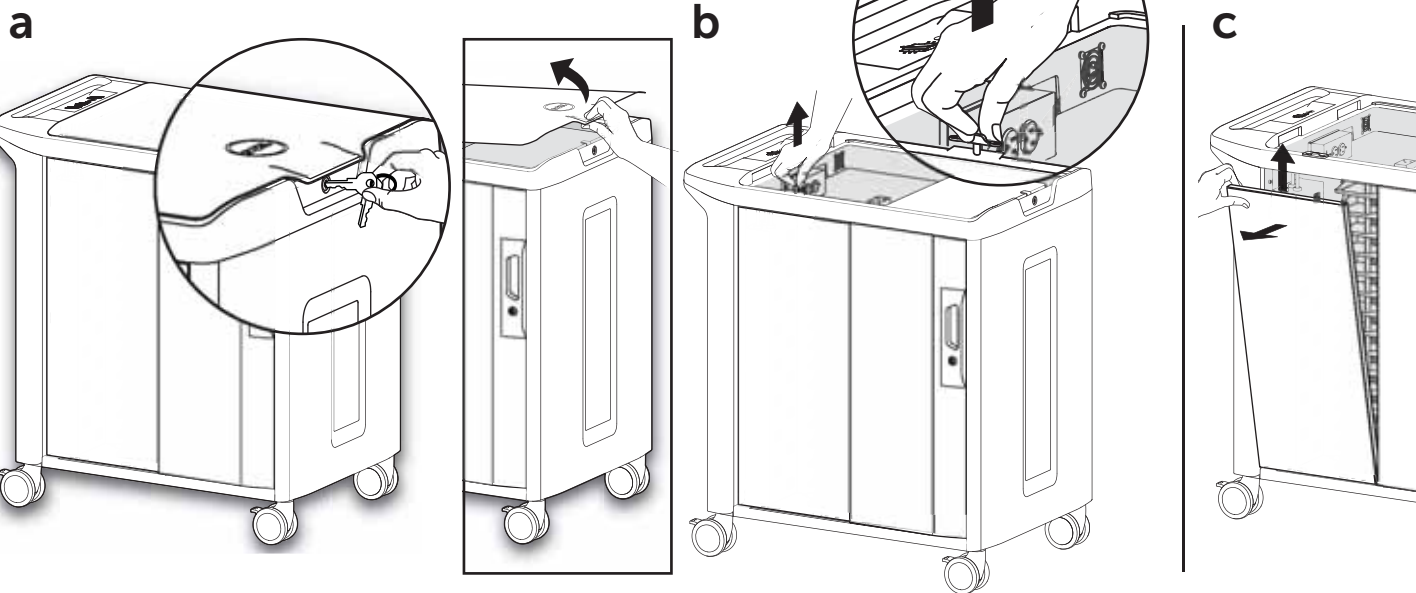
- 1 Étagères pour dispositifs
- 2 Prises pour dispositifs
- 3 Étagères pour adaptateurs
- 4 Prises
- 5 Commutateur Ethernet en option (fourni par le client)



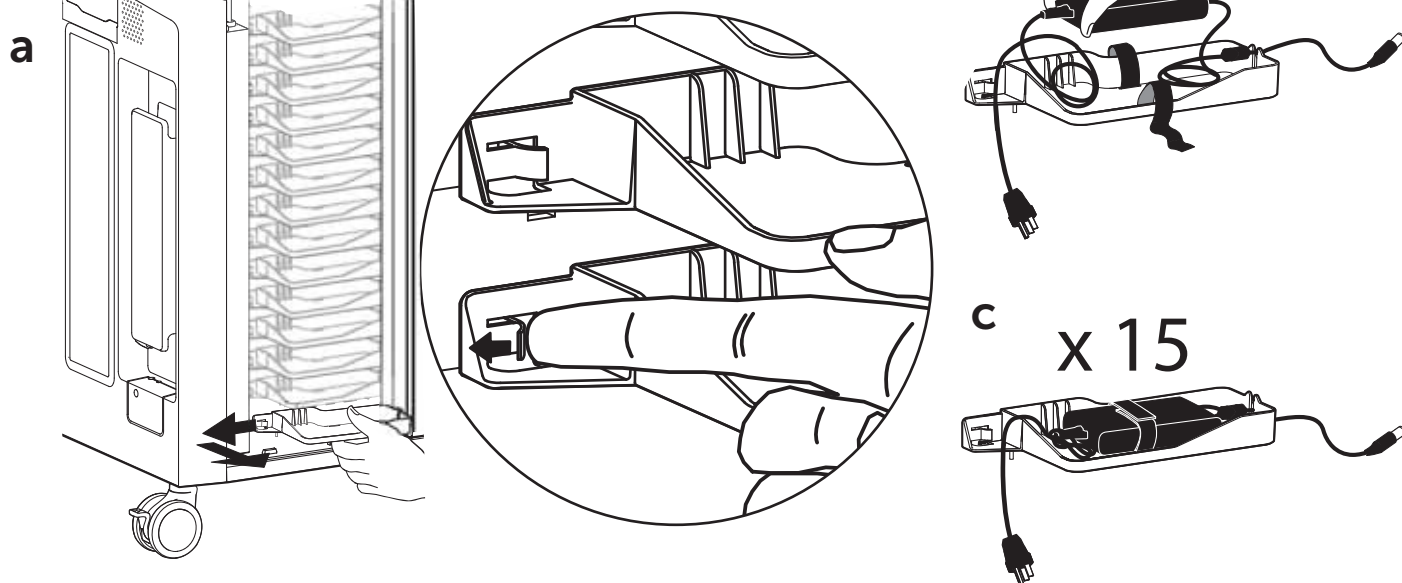
 **REMARQUE :** Consultez les guides spécifiques aux appareils mobiles et au commutateur optionnel.

Configurez et utilisez

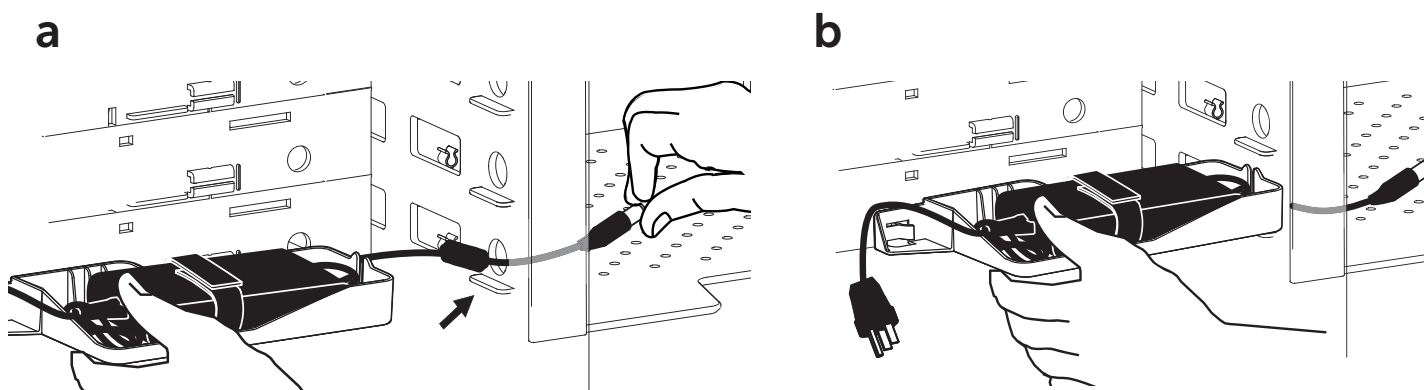
1 Ouvrez le compartiment de l'adaptateur d'alimentation.



2 Placez les adaptateurs d'alimentation dans les manchons d'adaptateur.

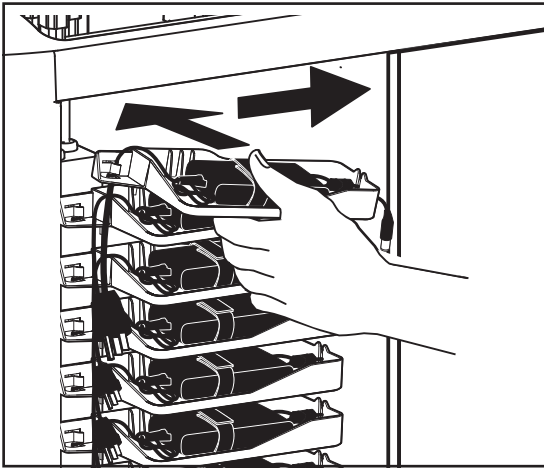


3 Acheminez le connecteur de l'adaptateur dans le compartiment de l'appareil.

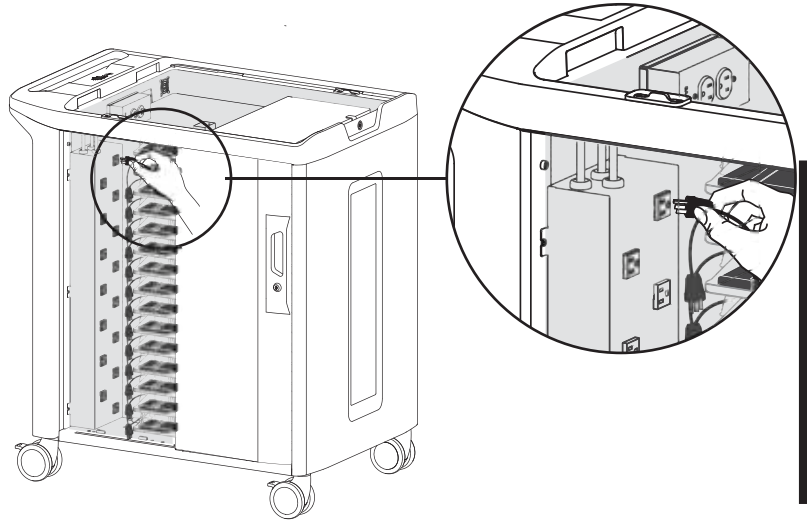


4 Branchez les adaptateurs.

a

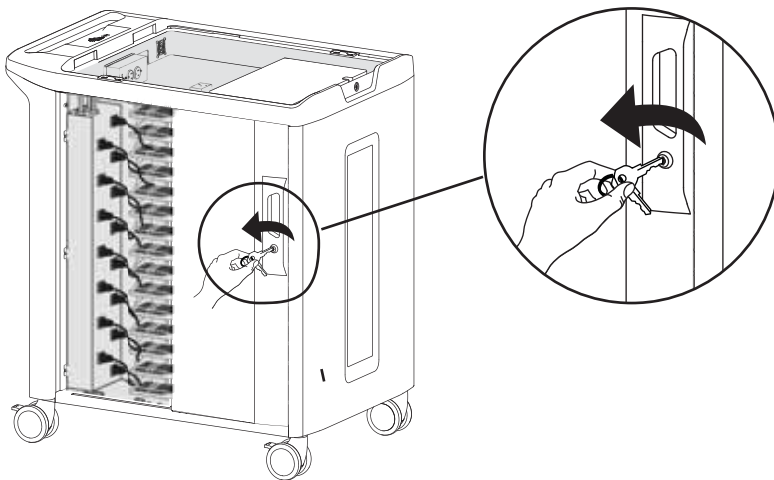


b

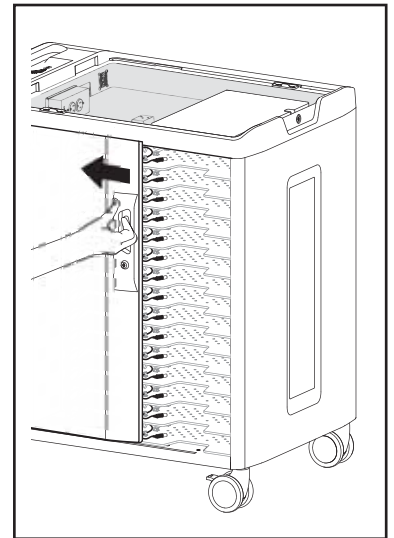


5 Introduisez les appareils mobiles et connectez les câbles.

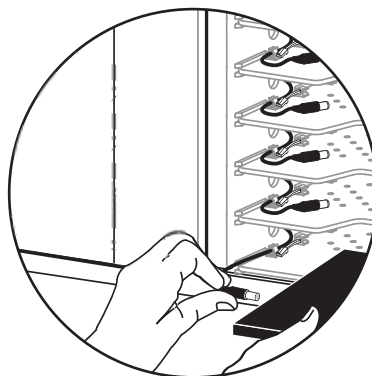
a



b



c

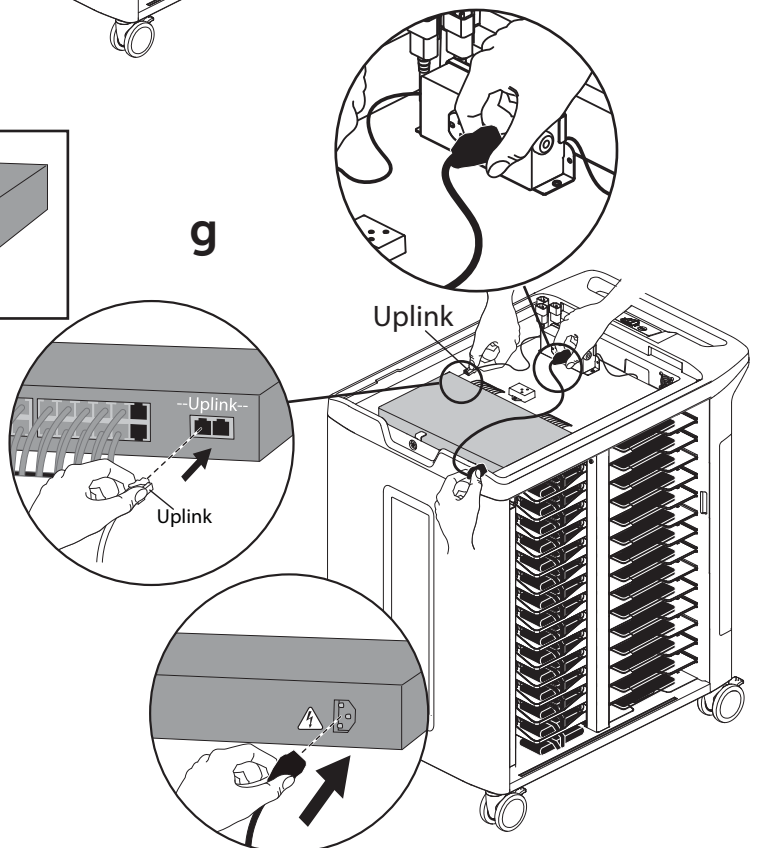
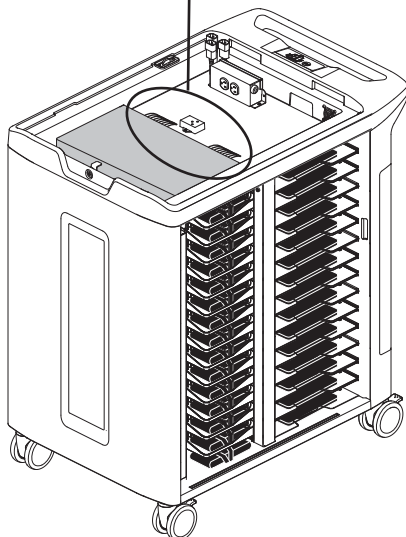
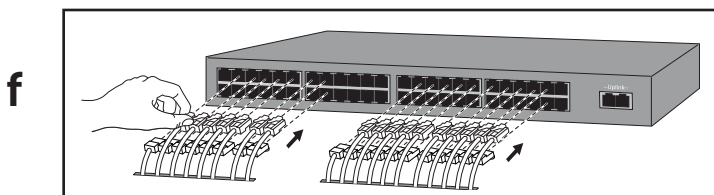
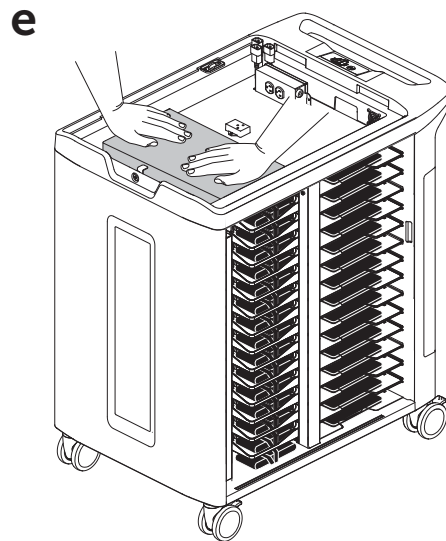
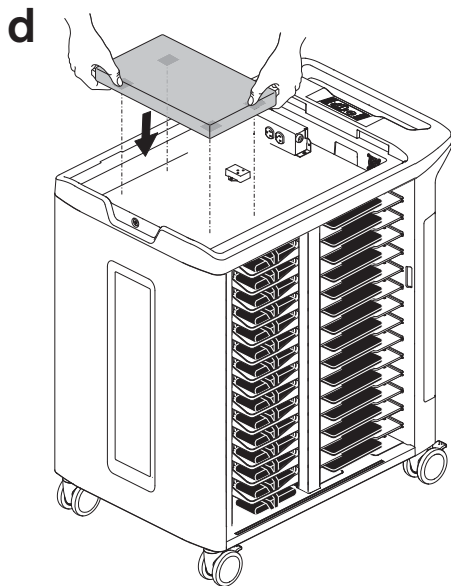
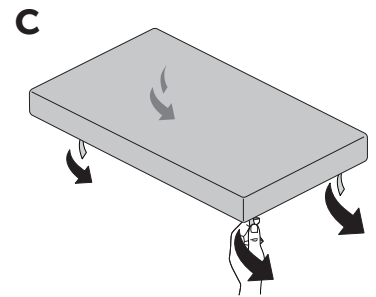
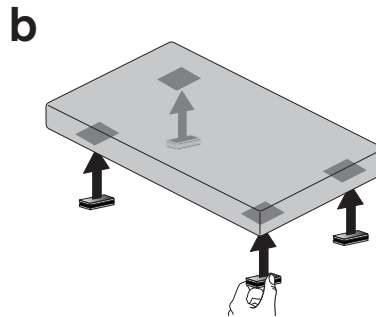
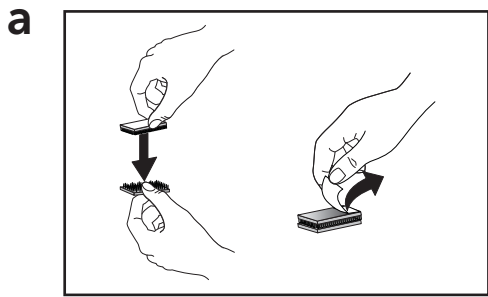


d



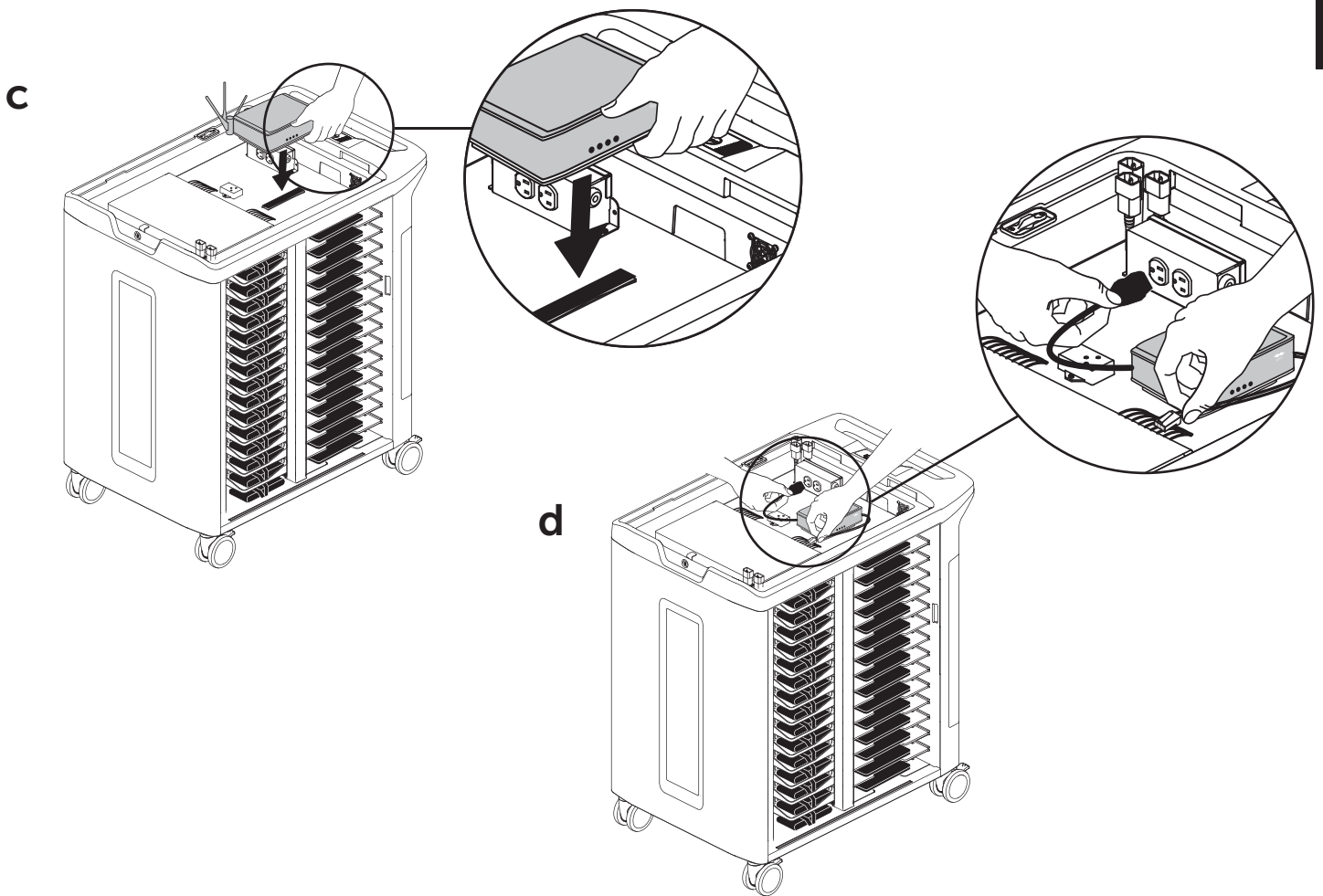
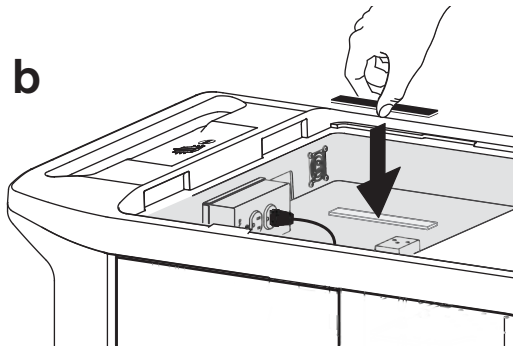
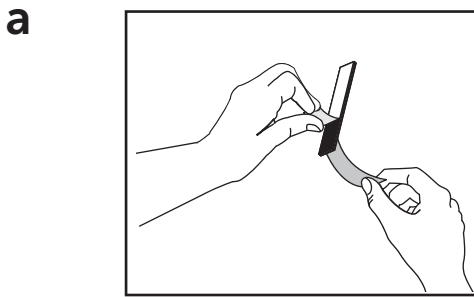
6 Étape facultative - installer le commutateur Ethernet fourni par l'utilisateur

REMARQUE : installez le commutateur Ethernet facultatif fourni par l'utilisateur à l'aide des bandes Velcro fournies.



7 Étape facultative - installez le point d'accès sans fil.

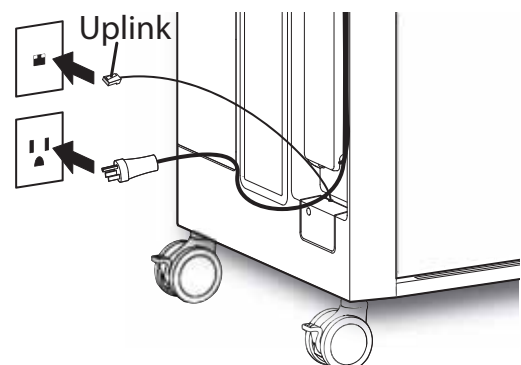
REMARQUE : installez le point d'accès sans fil facultatif fourni par l'utilisateur à l'aide des bandes Velcro fournies.



8 Vérifiez le fonctionnement du chariot

Connectez le câble d'alimentation du chariot sur un circuit dédié (qui n'est pas partagé avec d'autres appareils mobiles).

Vérifiez que la lumière blanche du témoin d'alimentation situé près de la surface supérieure du chariot soit allumée.



Première charge de la batterie

REMARQUE: Avant d'utiliser les appareils mobiles pour la première fois ou lorsque vous les réutilisez après une longue période de stockage, assurez-vous que leur charge est à 100 %.

Avant la première utilisation, laissez tous les appareils mobiles charger pendant au moins 2 à 3 heures dans le chariot avant de les retirer pour les utiliser.

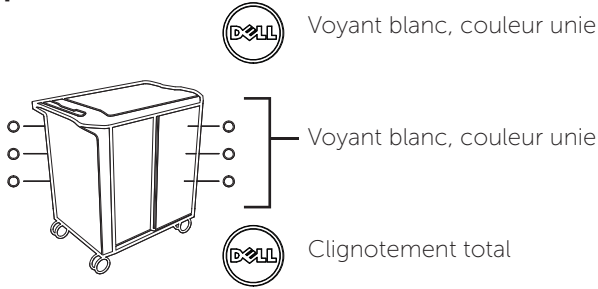
Surveillance de l'alimentation des appareils mobiles

Le témoin lumineux d'alimentation/d'état de panne situé près de la partie supérieure du chariot communique les conditions suivantes :

Voyant des statuts de mise en marche/arrêt/panne

Signification des signaux

Zones



Mise sous tension

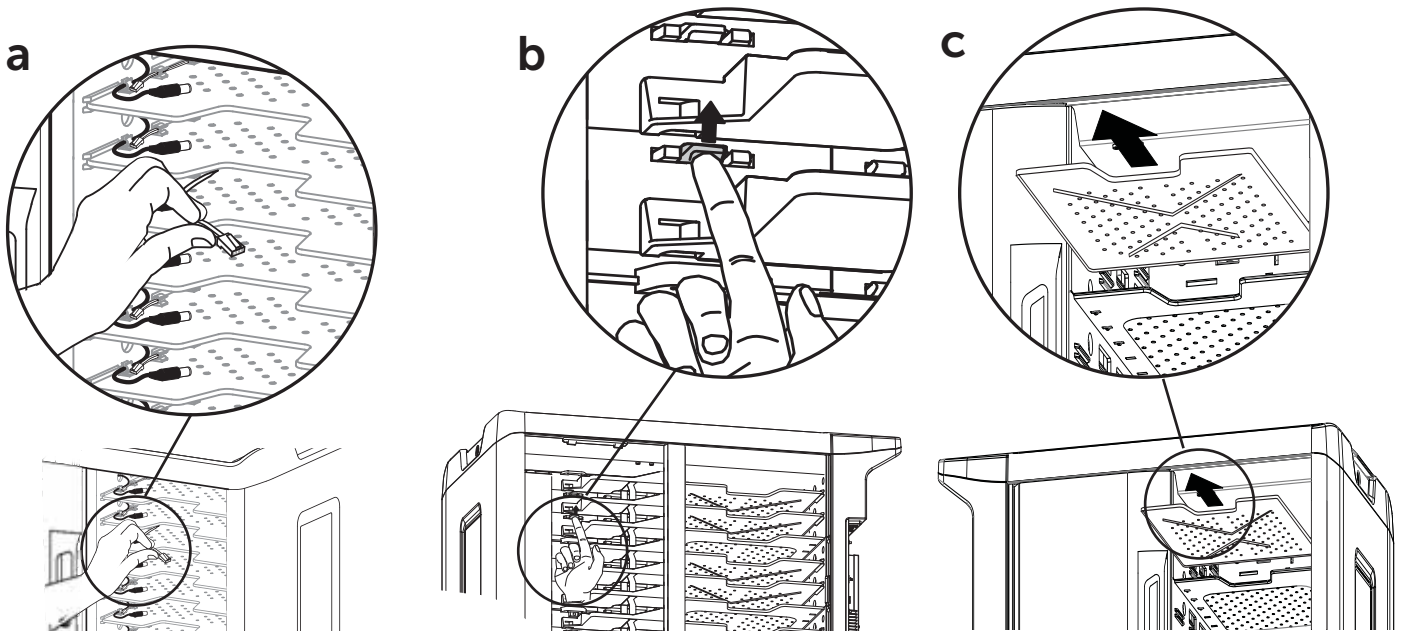
Zone en cours de chargement

Sur tension. Réinitialisez en retirant quelques appareils de la sortie aux. Débranchez et rebranchez le chariot.

REMARQUE: Le statut de la charge des appareils mobiles est visible sur les appareils mobiles.


Notebook Shelf Removal

- Déconnectez le câble Ethernet.
- Dégagez l'étagère en la relevant sur l'attache.
- Sortez l'étagère.



Service et garantie

Pour toute information sur le service,
visitez www.ergotron.com/Dell
ou www.dell.com/support.

 **REMARQUE :** Lorsque vous contactez le service à la clientèle, veuillez fournir le numéro de série situé au-dessus du système externe de gestion des câbles.

Le numéro de série est requis pour bénéficier des droits sous la présente garantie.

Made in China DP/N 00317X
CN-00317X-ERD00-XXX-###
Service Tag: ABC1234
Rev A00



Spécifications

Système d'alimentation

100-120V~, 12A 50/60Hz

WAP and Switch outlets

100-120V~, 8A MAX, 50/60 Hz

Power storage for Ethernet Switch located under secure top panel

Ethernet Switch (Customer Provided) 444 x 279 x 51 mm (17.5 x 11 x 2-inches)

Wireless Access Point (Customer Provided) 178 x 178 x 64 mm (7 x 7 x 2-inches)

Dimensions physiques du chariot

Hauteur 1 060 mm (41,7 po)

Longueur 940,6 mm (37 po)

Largeur 640 mm (25,2 po)

Poids (sans appareils mobiles) 87 kg (191,8 lb)

Capacité pondérale :

Surface supérieure 11.3 kg (25 lb)

Étagères 2.7 kg (6 lb)

Test de renversement/Angle 10 degrés

Le design conçu pour 30 unités assure une compatibilité avec la majorité des tablettes, Ultrabooks, Chromebooks et des ordinateurs portables jusqu'à 14 pouces signés Dell et avec certains modèles 15 pouces. Les Chariots sont compatibles avec les modèles Dell 15 pouces suivants : E5540 (requiert un kit de connexion, vendu séparément) et E6540

Environnement

Plage de températures :

Fonctionnement 0° to 30°C (32° to 86°F)

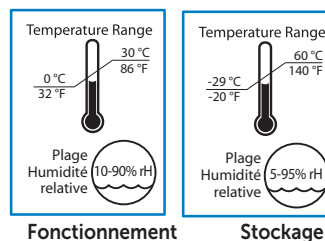
Stockage -29° to 60°C (-20° to 140°F)

Humidité relative (maximum) :

Fonctionnement 10%–90% (sans condensation)

Stockage 5%–95% (sans condensation)





Altitude (maximum) : 2000 m (6,562 pi)



Alertes pour les produits et la sécurité


Examen des symboles de danger

Ces symboles alertent les utilisateurs d'une condition de sécurité à laquelle il est obligatoire de prêter attention. Tous les utilisateurs du chariot doivent être en mesure de reconnaître et de comprendre l'importance des dangers de sécurité suivants s'ils les aperçoivent sur le chariot ou dans la documentation de celui-ci. Les enfants qui ne sont pas en mesure de reconnaître et de répondre de manière appropriée aux alertes de sécurité ne doivent pas utiliser ce chariot sans la surveillance d'un adulte!

Symbole	Signal Terme	Niveau de danger
	REMARQUE	Le signe REMARQUE indique des informations importantes qui vous aident à mieux utiliser votre chariot.
	ATTENTION	La mention ATTENTION indique la possibilité de dommages matériels ou de perte de données ainsi que la manière d'éviter le problème.
	AVERTISSEMENT	La mention AVERTISSEMENT indique la possibilité de blessures personnelles potentiellement mortelles et de dommages matériels.
	SPÉCIFICATIONS ÉLECTRIQUES	Un symbole ÉLECTRIQUE signale une situation électrique potentiellement dangereuse qui, si elle n'est pas évitée, risque d'entraîner des blessures potentiellement mortelles et des incendies.


Sécurité électrique de l'équipement

Il existe des risques spécifiques associés à l'utilisation d'un équipement doté de câbles d'alimentation. Vous devez connaître les risques pour pouvoir les éviter lorsque le chariot se trouve à proximité d'enfants.

 **AVERTISSEMENT** : Le non respect des avis de sécurité électriques suivants peut entraîner des incendies ou la mort par électrocution.


 **ÉLECTRICITÉ** : Les câbles électriques peuvent être dangereux. Une mauvaise utilisation peut provoquer un incendie ou la mort par électrocution.


- Pôle double/neutre avec fusible
- Inspecter soigneusement les câbles d'alimentation avant chaque utilisation.
- Ne pas utiliser de câbles endommagés.
- Insérer complètement la fiche dans la prise.
- Tenir la fiche pour débrancher l'appareil de la prise.
- Ne pas débrancher en tirant sur le câble.
- Ne pas exercer de force excessive pour établir les connexions.
- Utiliser uniquement des adaptateurs d'alimentation Dell livrés avec les systèmes Dell pour ce chariot.
- Ne pas brancher le câble dans une rallonge électrique.
- Ne pas retirer, plier ou modifier toute broche ou tige métallique du câble.
- Ne pas entraîner, tirer ou placer des objets sur le câble.
- Ne pas marcher sur le câble.
- Éviter toute surchauffe. Dérouler le câble et ne pas le couvrir avec du matériel.
- Ne pas passer le câble à travers les entrées de porte, les trous des plafonds, les murs ou les planchers.

 **ÉLECTRICITÉ** : **Tenir le chariot loin de l'eau.**

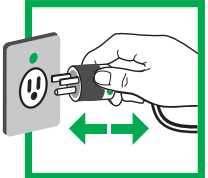


- Ne pas l'utiliser lorsqu'il est mouillé.
- Ne pas utiliser le chariot près de liquides ou de gaz inflammables.

 **ATTENTION** : Respectez toutes les précautions de sécurité contenues dans ce guide de référence liées au fonctionnement et à l'entretien de ce chariot Dell ! Le non-respect de ces précautions de sécurité peut entraîner des blessures ou des dommages matériels.

 **ATTENTION** : Cet équipement ne comporte pas d'interrupteur de mise sous/hors tension ; le seul moyen de couper le courant est via le câble d'alimentation CA. En conséquence, la prise doit être accessible et située près de l'équipement

 **DANGER!**
Risque de choc électrique

DANGER ! Les câbles électriques peuvent être dangereux. Une mauvaise utilisation peut provoquer un incendie ou la mort par électrocution.







Nettoyage et maintenance

 **AVERTISSEMENT** : Le non respect des avis de sécurité suivants peut entraîner des blessures graves ou endommager l'équipement.


Effectuer régulièrement des inspections afin de garantir qu'il n'y a pas de dommage, d'impuretés ou de débris. Tous les composants peints et en plastique utilisés dans le chariot peuvent être lavés avec des solutions de nettoyage diluées, non abrasives et utilisées en standard, telles que les composants d'ammonium quaternaire, les détergents à base d'enzymes ou d'ammoniac, l'eau de javel ou les solutions d'alcool. Il est recommandé de tester les solutions de nettoyage sur une petite surface discrète afin de garantir qu'elle n'endommagera pas la surface du chariot.


- Les marques de feutres indélébiles, de marqueurs à essuyage à sec et de stylos peuvent être enlevées à l'aide d'alcool isopropylique à 91 % et un chiffon doux.
- Les taches de coloration à l'iode peuvent être enlevées à l'aide de nettoyeurs standard et d'un chiffon doux.
- Ne jamais utiliser de la laine d'acier ni d'autres matières abrasives qui endommageraient la finition de la surface.

 **ÉLECTRICITÉ** : Pour éviter tout risque de chocs électriques, ne pas exposer les composants électriques à l'eau, aux solutions de nettoyage ni à d'autres liquides ou substances potentiellement corrosives.


 **ÉLECTRICITÉ** : Ne pas immerger le chariot ou ses composants dans un liquide et ne pas laisser de liquide couler dans le chariot. Nettoyer toutes les traces de nettoyeurs immédiatement avec un chiffon humide. Sécher soigneusement la surface après le nettoyage.

 **ÉLECTRICITÉ** : Ne pas utiliser de détergents inflammables sur les surfaces du chariot.

 **ATTENTION** : Ajustement, révision, remplacement - NE PAS ajuster, réviser ou remplacer les pièces du chariot à moins qu'une instruction dans un document approuvé par Ergotron ne l'indique (à savoir, les instructions d'installation). Seul Ergotron, Inc. ou une entité agréée par Ergotron peut ajuster, réviser ou remplacer les composants du chariot. Si des composants sont manquants sur le chariot ou endommagés, ne pas utiliser le chariot. Contacter immédiatement Ergotron pour demander une pièce de rechange.


 **ATTENTION** : Roulettes - Inspecter régulièrement les roulettes afin de garantir qu'elles sont propres et exemptes de débris qui les empêcheraient de fonctionner correctement. Éviter de déplacer le chariot sur des surfaces irrégulières, sales ou endommagées.

 **ATTENTION** : Équipement du client- Vérifier que l'équipement est équilibré et correctement fixé au chariot. Contacter Ergotron pour de plus amples informations sur le déplacement des composants du chariot.

 **ATTENTION** : Toute modification qui ne serait pas expressément approuvée par Ergotron peut annuler la capacité de l'utilisateur à utiliser l'équipement.

Recommandations d'utilisation sécurisée

Il existe des risques spécifiques associés à l'utilisation d'un chariot, qu'il soit en mouvement ou fixé (chargement ou stockage). Vous devez connaître les risques afin de pouvoir les éviter lorsque le chariot se trouve à proximité d'enfants.

 **AVERTISSEMENT** : Le non respect des avis de sécurité suivants concernant le chariot peut entraîner des blessures graves ou endommager l'équipement.

Seules des adultes sont en droit de déplacer ce chariot.

- Ne permettre à quiconque de s'asseoir, se tenir ou monter sur le chariot.
- Ne pas soulever le chariot par le bas.
- Ne pas bloquer les ventilateurs ni les ouvertures d'évent. Pour éviter toute surchauffe, laisser au moins 127 cm autour des ventilateurs et des événements.

Le chariot a été conçu pour être utilisé à l'intérieur uniquement.

- Ne pas utiliser le chariot pour transporter ou stocker un équipement autre que celui stipulé dans ce guide.
- Ne pas utiliser le chariot pour stocker des liquides ou comme unité de rangement pour les produits de nettoyage.
- Ne pas placer d'objets lourds sur la surface du chariot ou l'étagère.
 - Le poids maximum toléré sur la surface supérieure est de 11,4 kg (25 lb).
 - Le poids maximum toléré sur l'étagère est de 22,5 kg (49,5 lb).

Déplacement du chariot

- Avant de déplacer le chariot :
 1. Débranchez le câble d'alimentation du mur.
 2. Assurez-vous que la câble est enroulé et fixe.
 3. Fermez et verrouillez les portes.
 4. Enlevez les objets se trouvant sur la surface de travail supérieure.
 5. Déverrouillez les roulettes.
- Poussez (et non tirez) le chariot pour optimiser la manœuvrabilité et éviter tout étirement des muscles.
- Ne pas déplacer le chariot sur des surfaces rugueuses, irrégulières, telles que les cailloux.

Immobilisation du chariot

Respectez ces avertissements de sécurité lorsque le chariot doit être immobilisé :

- Ne pas placer le chariot dans des zones très fréquentées.
- Ne pas passer les câbles à travers les entrées de porte, les trous des plafonds, les murs ou les planchers.
- Ne pas passer de câbles dans les couloirs, les salles de classe où tout autre endroit où on pourrait marcher dessus.
- Ne pas laisser le chariot sans supervision dans les endroits auxquels les enfants peuvent accéder.
- Tenir les portes du chariot fermées et verrouillées chaque fois qu'il doit être laissé sans supervision ou immobilisé pour être chargé ou rangé.
- Les roulettes du chariot doivent être verrouillées lorsque le chariot doit être sans supervision.



Informations sur la sécurité, l'environnement et la réglementation

Réglementations

Pour des informations supplémentaires sur les réglementations, reportez-vous à la page d'accueil relative à celles-ci sur www.dell.com à l'adresse suivante : www.dell.com/regulatory_compliance.

Waste Electrical and Electronic Equipment (WEEE) Directive

This label indicates that this product should not be disposed of with household waste. It should be deposited at an appropriate facility to enable recovery and recycling. For information on how to recycle this product in your country, please visit: Dell.com/recycle.

Директива относю отпадцих от електрическо и електронно оборудване (OEEO)

Този етикет означава, че този продукт не бива да се изхвърля заедно с домакинските отпадци. Той трябва да бъде изхвърлен на подходящо място, за да се позволи възстановяването или рециклирането му. За информация относно отговорността за рециклиране на този продукт във вашата страна посетете: Dell.com/recycle.

Směrnica o odpadních elektrických a elektronických zařízeních (OEEZ)

Tento štítek označuje, že tento produkt nesmí být likvidován s domovním odpadem. Musí být předán specializované sběrně k recyklaci a dalšímu využití. Pokyny o recyklaci tohoto produktu ve vaší zemi viz adresa Dell.com/recycle.

Direktiv for bortscaffelse af elektrisk og elektronisk udstyr (WEEE)

Denne etiket indikerer, at dette produkt ikke bør kasseres sammen med husholdningsaffald. Det bør bortskaffes ved en egnet facilitet for at muliggøre genbrug. For information om hvordan dette produkt genbruges i dit land, bedes du gå til: Dell.com/recycle.

WEEE-richtlijn, Waste Electrical and Electronic Equipment (afदानकन वन eलेकत्रिकेन eनेलेकत्रिकेन अपारतन)

Dit label geeft aan dat dit product niet via huishoudelijk afval mag worden afgedankt. Het moet worden gedeponeerd bij een daarvoor geschikte voorziening zodat herstel en recycling mogelijk zijn. Raadpleeg voor meer informatie over verantwoorde recycling van dit product in uw land de website: Dell.com/recycle.

Elektriliste ja elektroniliste seadmete kasutusjärgne töötlemine (direktiiv WEEE)

Sellele silt tähistab toodet, mida ei tohi pärast kasutust olemääramete hulka visata. Toodet tuleb viia jäätmekäitlusettevõttele, kus seda nõuetekohaselt töödeldakse. Toote käitlemise kohta oma kodumaal leiate teavet aadressilt Dell.com/recycle.

Direktiivi sähkö- ja elektronikalaiteromusta (WEEE)

Tämä tarra tarkoittaa, että tuotetta ei tule hävittää kotitalousjätteen joukossa. Se tulee toimittaa asianmukaiseen paikkaan uudelleenkäyttöä tai kierrätystä varten. Tietoja tämän tuotteen kierrättämisestä eri maissa saat seuraavasta osoitteesta: Dell.com/recycle.

Directive sur la mise au rebut des appareils électriques et électroniques (Waste Electrical and Electronic Equipment - WEEE)

Cette étiquette indique que ce produit ne doit pas être jeté avec les déchets ménagers. Il doit être mis au rebut dans un centre de dépôt spécialisé pour un recyclage approprié. Pour obtenir davantage d'informations sur le recyclage approprié de ce produit dans votre pays, veuillez vous rendre sur le site: Dell.com/recycle.

Richtlinie für Abfall von elektrischen und elektronischen Geräten (WEEE)

Dieses Etikett weist darauf hin, dass dieses Produkt nicht mit dem Hausmüll entsorgt werden sollte. Es sollte an einer entsprechenden Einrichtung abgegeben werden, um Wiedergewinnung und Recycling zu ermöglichen. Weitere Informationen über das Recyceln dieses Produkts erhalten Sie unter: Dell.com/recycle.

Οδηγία σχετικά με τα απόβλητα ειδών ηλεκτρικού και ηλεκτρονικού εξοπλισμού (AHHE)

Αυτή η ετικέτα υποδεικνύει ότι το συγκεκριμένο προϊόν δεν πρέπει να απορρίπτεται μαζί με τα οικιακά απορρίμματα. Θα πρέπει να αποκομίζεται σε κατάλληλο χώρο ώστε να είναι δυνατή η ανάκτηση και η ανακύκλωση. Για πληροφορίες σχετικά με την ανακύκλωση αυτού του προϊόντος στη χώρα σας, επισκεφθείτε τη διεύθυνση: Dell.com/recycle.

Waste Electrical and Electronic Equipment (WEEE), az az elektromos és elektronikus berendezések hulladékaira vonatkozó irányelv

Az ilyen címkevel jelölt terméket tilos háztartási hulladékként kezelni. Az ilyen hulladékok a helyreállítathóság és az újrahasznosíthatóság érdekében a megfelelő elfogadóhelyre kell szállítani. A termék saját országán belül érvényes újrahasznosításával kapcsolatban információt a következő weboldalon talál: Dell.com/recycle.

Direttiva Rifuti di apparecchiature elettriche ed elettroniche (RAEE)

Questa etichetta indica che il prodotto non deve essere smaltito insieme ai rifiuti domestici. Deve essere depositato in un impianto adeguato che sia in grado di eseguire operazioni di recupero e riciclaggio. Per informazioni sulle procedure di riciclaggio di questo prodotto nel proprio Paese, visitare: Dell.com/recycle.

Direktīva par elektrisko un elektronisko iekārtu atkritumiem (EEIA)

Šis apzīmējums norāda, ka produktu nedrīkst izmest kopā ar sadzīves atkritumiem. Tas ir jānodod atbilstošā savākšanas punktā, lai parasti atjaunotu vai pārstrādātu. Informāciju par šī produkta pārstrādes iespējām jūsu valstī skatiet: Dell.com/recycle.

Direktiva dėl elektros ir elektroninės įrangos atliekų (Waste Electrical and Electronic Equipment, WEEE)

Šis ženklas rodo, kad šio gaminio negalima išmesti kartu su buitinėmis atliekomis. Nebenaudojamą gaminį reikia atiduoti j tam skirtą punktą atnaujinti arba perdirbti. Informacijos apie tinkamą šio gaminio perdirimą jūsų šalyje rasite interneto svetainėje: Dell.com/recycle.

Direktiva dwar Skart magħmul minn Tagħmir Elektroniku u Elettriku (Waste Electrical and Electronic Equipment - WEEE)

Din it-tikketta tindika li dan il-prodott m'għandux jintrema mal-iskart domestiku. Għandu jintrema f'faċilità adatta fejn jkun jista' jiġi rċuprat u nikklat. Għal aktar taġġirif dwar kif għandek ttrikkila dan il-prodott fil-pajjiż tiegħek, jekk jogħġbok zur: Dell.com/recycle.

Direktivet om elektrisk og elektronisk utstyr (WEEE)

Dette merket angir at produktet ikke skal kastes sammen med husholdningsavfall. Det skal leveres til et mottak for spesialavfall for gjenvinning og resirkulering. Du finner informasjon om hvordan du resikulerer dette produktet i ditt land her: Dell.com/recycle.

Dyrektiva dotycząca odpadów urządzeń elektrycznych i elektronicznych (WEEE)

Etykieta ta oznacza, że tego produktu nie należy wyrzucać razem z odpadami z gospodarstwa domowego. Należy go przekażać do odpowiedniego zakładu, gdzie zostanie poddany odzyskowi i recyklingowi. Informacje o sposobie recyklingu tego produktu w poszczególnych krajach można znaleźć pod adresem: Dell.com/recycle.

Direktiva WEEE (Waste Electrical and Electronic Equipment)

Esta etiqueta indica que esse produto não deve ser eliminado juntamente com o lixo normal. Deve ser depositado numa instalação apropriada para recolha e reciclagem. Para obter informações sobre como reciclar este produto de forma responsável no seu país, visite: Dell.com/recycle.

Direktiva privind deșeurile provenite din echipamentele electrice și electronice (WEEE)

Acestă etichetă indică faptul că acest produs nu trebuie aruncat înaltături cu gunoiera menajeră. Trebuie depozitat într-un loc special amenajat pentru a permite recuperarea și reciclarea. Pentru informații privitoare la reciclarea acestui produs în țara dvs., accesați: Dell.com/recycle.

Директива об утилизации электрического и электронного оборудования (WEEE)

Эта маркировка означает, что данный продукт не следует утилизировать вместе с бытовым мусором. Продукт следует утилизировать на специализированном предприятии, чтобы в дальнейшем его можно было переработать. Информацию о правилах утилизации изделия в вашей стране можно получить на веб-узле: Dell.com/recycle.

Smernica o odpadoch z elektrických a elektronických zariadení (WEEE)

Tento štítok znamená, že sa výrobok nesmie likvidovať ako komunálny odpad. Musí sa odovzdať na príslušnom mieste na obnovu alebo recykláciu. Informácie o správnej recyklácii tohto produktu vo vašej krajine nájdete na stránke: Dell.com/recycle.

Direktiva o odlaganju električne in elektronske opreme (WEEE)

Ta znak označuje, da izdelek ni primeren za odlaganje skupaj z običajnimi gospodinjскими odpadki. Odložiti ga je treba na ustreznem mestu za odlaganje in reciklazo. Za informacije o reciklazi tega izdelka v vaši državi obiščite: Dell.com/recycle.

Residuos de Aparatos Eléctricos y Electrónicos (RAEE)

Esta etiqueta indica que la eliminación de este producto no se puede hacer junto con el deshecho doméstico. Se debe depositar en una instalación apropiada que facilite la recuperación y el reciclado. Para obtener más información sobre cómo reciclar este producto en su país, visite el sitio web: Dell.com/recycle.

Direktiv för kassering av elektrisk och elektronisk utrustning (WEEE - Waste Electrical and Electronic Equipment)

Den här etiketten betyder att produkten inte får slängas i hushållsaffalet. Den ska lämnas in på en återvinningsstation. Information om hur produkten återvinns i ditt land finns på adressen Dell.com/recycle. Inom EU betyder den här etiketten att produkten inte får slängas i hushållsaffalet. Den ska lämnas in på en återvinningsstation. Information om hur produkten återvinns i ditt land finns på adressen Dell.com/recycle.

Atik Elektrikli ve Elektronik Ekipman (WEEE) Yönergeleri

Bu etiket, ürünün ev elektrikli aletleri atılan ile imha edilemeyeceğini gösterir. Kurtarmak ve geri dönüştürümü sağlamak için uygun şartlarda saklanması gerekir. Bu ürünün geri dönüşümünün nasıl sağlanacağı konusunda bilgi için lütfen şu adresi ziyaret edin: Dell.com/recycle.

Informations sur la sécurité, l'environnement et la réglementation

Déclaration de conformité FCC

Ce chariot a été testé et s'est avéré conforme aux normes pour un dispositif numérique de catégorie A, conformément à la partie 15 des Règles FCC. Ces limites ont pour objectif de fournir une protection raisonnable contre toute interférence dangereuse lorsque l'équipement est utilisé dans un environnement commercial. Cet équipement génère, utilise et peut irradier de l'énergie radio fréquence et s'il n'est pas installé et utilisé conformément aux instructions et peut sérieusement brouiller les communications radio. Il est probable que l'utilisation de cet équipement dans une zone résidentielle provoquera un brouillage radioélectrique nuisible, auquel cas l'utilisateur est tenu de corriger cette interférence à ses propres frais.

Le fonctionnement de cet équipement est soumis aux deux conditions suivantes : (1) cet équipement ne doit pas provoquer d'interférences néfastes et (2) cet équipement doit accepter toutes les interférences reçues, y compris celles pouvant provoquer un fonctionnement non désiré.

Avertissement de la FCC : Toute modification qui ne serait pas expressément approuvée par Ergotron peut annuler la capacité de l'utilisateur à utiliser l'équipement.

This Class A digital apparatus complies with Canadian ICES-003. / Cet appareil numérique de la classe A est conforme à la norme NMB-003 du Canada.

Registration, Evaluation, Authorization of Chemicals (REACH)

REACH is the European Union (EU) chemical substances regulatory framework. Information on substances of very high concern contained in Dell products in a concentration above 0.1% weight by weight (w/w) can be found at [Dell.com/REACH](https://www.dell.com/reach).

Регламент относno регистрацията, оценката, разрешаването и ограничаването на химикали (REACH)

REACH е регулаторната рамка на Европейския съюз (ЕС) за химически вещества. Информация за вещества с много голяма важност, съдържащи се в изделия на Dell в концентрация над 0,1% обемни процента (w/w), може да се намери на адрес: [Dell.com/REACH](https://www.dell.com/reach).

Směrnice REACH (Registration, Evaluation, Authorization of Chemicals)

REACH označuje v Evropské unii (EU) regulační rámec chemických látek. Informace o nebezpečných látkách, které jsou ve výrobních společnostech Dell obsaženy v koncentraci větší než 0,1 hmotnostních procent, naleznete na adrese [Dell.com/REACH](https://www.dell.com/reach).

Registration, Evaluation, Authorization of Chemicals (REACH)

REACH er forordningsstrukturen for kemiske stoffer i den Europæiske Union (EU). Oplysninger om substanser, som er af stor bekymning, og som er indeholdt i Dell-produkter i en koncentration over 0,1 vægtprocent kan findes på [Dell.com/REACH](https://www.dell.com/reach).

Registration, Evaluation, Authorization of Chemicals (REACH)

REACH is het regelgevingskader van de Europese Unie (EU) op het gebied van chemische stoffen. Informatie over zeer gevaarlijke stoffen in Dell producten in een concentratie van boven de 0,1% gewicht per gewicht (w/w) is te vinden op [Dell.com/REACH](https://www.dell.com/reach).

Kemikaalide registreerimine, hindamine ja autoriseerimine (REACH)

REACH on kemikaalide kasitlev Euroopa Liidu (EU) regulatiivne raamistik. Teavet ohtlike ainete kohta, mis sisalduvad Dell'i toodetes kontsentratsioonides üle 0,1 massiprotsendi, on saadaval aadressil [Dell.com/REACH](https://www.dell.com/reach).

Kemikaalien rekisteröinti, arviointi ja lupamennettelyt (REACH)

REACH on Euroopan unionin (EU) kemiallisten aineiden puitekehyks. Tietoja haitallista aineista, joiden massaprosentti (w/w) Dellin tuotteissa on enimminkin kuin 0,1 prosenttia, on osoitteessa [Dell.com/REACH](https://www.dell.com/reach).

Enregistrement, évaluation, autorisation des produits chimiques (REACH)

REACH est le programme de réglementation des produits chimiques dans l'Union européenne (UE). Vous trouverez des informations sur les substances très préoccupantes que contiennent les produits Dell en concentration supérieure à 0,1 % en poids par poids (p/p) sur [Dell.com/REACH](https://www.dell.com/reach).

Registrierung, Beurteilung und Zulassung von Chemikalien (REACH, Registration, Evaluation, Authorization of Chemicals)

Die EU-Richtlinie REACH ist das Regelwerk der Europäischen Union für chemische Substanzen. Informationen zu bedenklichen Substanzen, die in Dell-Produkten in einer Konzentration von mehr als 0,1 Gewichtsprozent (w/w, Weight by Weight) enthalten sind, finden Sie unter [Dell.com/REACH](https://www.dell.com/reach).

Οδηγία REACH (Καταχώριση, αξιολόγηση και αδειοδότηση χημικών προϊόντων)

Η οδηγία REACH είναι το κανονιστικό πλαίσιο της ΕΕ για τις χημικές ουσίες. Πληροφορίες σχετικά με ουσίες που προκαλούν πολύ μεγάλη ανησυχία και περιέχονται σε προϊόντα της Dell σε συγκέντρωση άνω του 0,1% κατά βάρος (κ.β.) μπορείτε να βρείτε στη διεύθυνση [Dell.com/REACH](https://www.dell.com/reach).

A vegyi anyagok regisztrálására, értékelésére, engedélyezésére és korlátozására vonatkozó szabályozás (REACH)

A REACH az Európai Unió (EU) vegyi anyagokra vonatkozó szabályozó keretrendszer. A Dell termékekben 0,1% feletti arányban található veszélyes anyagokról a következő címen található bővebb információkat: [Dell.com/REACH](https://www.dell.com/reach).

Registrazione, valutazione e autorizzazione delle sostanze chimiche (REACH)

REACH è il quadro normativo delle sostanze chimiche dell'Unione Europea (UE). Le informazioni sulle sostanze estremamente problematiche contenute nei prodotti Dell in una concentrazione superiore allo 0,1% in peso per peso (p/p) sono disponibili all'indirizzo [Dell.com/REACH](https://www.dell.com/reach).

Ķīmisko vielu registrācija, vērtēšana, autorizācija (REACH)

REACH ir Eiropas Savienības (ES) ķīmisko vielu regulēšanas sistēma. Informāciju par īpaši bīstamām ķīmiskajām vielām, ko satur Dell produkti koncentrācijā virs 0,1% svaram uz svaru (w/w), var atrast vietnē [Dell.com/REACH](https://www.dell.com/reach).

Cheminių medžiagų registracija, įvertinimas, autorizacija (REACH)

REACH yra Europos Sąjungos (ES) cheminių medžiagų kontrolės sistema. Informaciją apie didelį susirūpinimą keliančias medžiagas, kurių koncentracija „Dell“ produktuose pagal svorį yra didesnis nei 0,1% svorio (s/s), galima rasti adresu [Dell.com/REACH](https://www.dell.com/reach).

Registrazzjoni, Evalwazzjoni, Awtorizzazzjoni ta' Kimiċi (REACH)

REACH hu l-għafas regolatorju tal-Unjoni Ewropea (UE) għal sustanzi kimiċi. Informazzjoni dwar sustanzi li jikkawżaw tħassib kbir fi prodotti ta' Dell fi konċentrazzjoni ta' iżjed minn 0,1% piz b'piz (w/w) tista' tintab t' [Dell.com/REACH](https://www.dell.com/reach).

Registrering, vurdering og godkjenning av kjemikalier (REACH)

REACH er Den europeiske union (EU)s forskriftsmessige rammeverk for kjemiske stoffer. Informasjon om farlige stoffer i Dell-produkter i en konsentrasjon over 0,1 % vektprosent (w/w) finnes på [Dell.com/REACH](https://www.dell.com/reach).

Rozporządzenie REACH (ang. Registration, Evaluation, Authorization of Chemicals)

REACH jest rozporządzeniem Unii Europejskiej (UE) dotyczącym substancji chemicznych. Informacje na temat istotnych substancji obecnych w produktach Dell w stężeniu procentowym masowym powyżej 0,1% można znaleźć pod adresem [Dell.com/REACH](https://www.dell.com/reach).

REACH (Registration, Evaluation, Authorization of Chemicals - Registo, avaliação e autorização de substâncias químicas)

O REACH é o sistema regulador de substâncias químicas da União Europeia (UE). As informações sobre substâncias que são motivo de grande preocupação existentes nos produtos Dell numa concentração acima de 0,1% peso por peso (p/p) podem ser encontradas em [Dell.com/REACH](https://www.dell.com/reach).

Înregistrarea, evaluarea și autorizarea substanțelor chimice (REACH)

REACH este cadrul de reglementare a substanțelor chimice în Uniunea Europeană (UE). Informații privind substanțele periculoase continute în produsele Dell în concentrații mai mari de 0,1 % din greutate pot fi găsite la adresa web [Dell.com/REACH](https://www.dell.com/reach).

Регламент по регистрации, оценке, разрешению и ограничению использования химических веществ (REACH)

REACH - это документ Европейского союза, регламентирующий использование химических веществ. Информация о веществах, содержащихся в продукции Dell в массовой концентрации более 0,1 % (работа с ними требует повышенной осторожности), приведена на сайте [Dell.com/REACH](https://www.dell.com/reach).

Registrazio, vyhodnotenie, autorizacia chemikalii (REACH)

REACH je regulačný rámec chemických látok Európskej únie. Informácie o látkach s veľmi vysokou nebezpečnosťou obsiahnutých v produktoch Dell v koncentrácií vyššej ako 0,1 hmotnostných % (w/w) môžete nájsť na adrese [Dell.com/REACH](https://www.dell.com/reach).

Registrazio, evalvacija, avtorizacija kemikalij (REACH)

REACH je regulativni okvir Evropske unije (EU) za kemične snovi. Informacije o izjemno problematičnih snoveh, ki so v izdelkih podjetja Dell prisotne v koncentracijah nad 0,1 % glede na maso (t/t), so na voljo na strani [Dell.com/REACH](https://www.dell.com/reach).

Registro, evaluación y autorización de productos químicos (REACH)

REACH es el organismo de regulación de sustancias químicas de la Unión Europea (UE). La información sobre sustancias de alto riesgo contenidas en productos Dell en una concentración superior al 0,1% peso por peso (p/p) se puede encontrar en [Dell.com/REACH](https://www.dell.com/reach).

REACH (Registration, Evaluation, Authorization of Chemicals - registrering, utvärdering, auktorisation av kemikalier)

REACH är den europeiska unionens (EU) regelverk för kemikaliska ämnen. Information om angående ämnen i Dell-produkter med koncentration över 0,1 % vikt per vikt (w/w) finns på [Dell.com/REACH](https://www.dell.com/reach).

Kimyasal Maddeleri Kaydetme, Değerlendirme ve Onaylama (REACH)

REACH, Avrupa Birliği'nin (AB) kimyasal maddelerle ilgili mevzuatıdır. Dell ürünlerindeki bulunan, ağırlıkça (w/w) %0,1'in üzerinde yoğunluğu sahip yüksek önem arzeden maddelerle ilgili bilgi için: [Dell.com/REACH](https://www.dell.com/reach) sitesini ziyaret edin.

Garantie

5 ans pour les composants et fonctions mécaniques,
3 ans pour les composants et les fonctions
électriques et 1 an pour les câbles. Tous les
composants tiers suivront la garantie telle que définie
par le fabricant respectif.

ergotron®

© 2015 Ergotron, Inc. All rights reserved.

While Ergotron, Inc. makes every effort to provide accurate and complete information on the installation and use of its products, it will not be held liable for any editorial errors or omissions (including those made in the process of translation from English to another language), or for incidental, special or consequential damages of any nature resulting from furnishing this instruction and performance of equipment in connection with this instruction. Ergotron, Inc. reserves the right to make changes in the product design and/or product documentation without notification to its users. For the most current product information, or to know if this document is available in languages other than those herein, please contact Ergotron. No part of this publication may be reproduced, stored in a retrieval system, or transmitted in any form or by any means, electronic, mechanical, photocopying, recording or otherwise without the prior written consent of Ergotron, Inc., 1181 Trapp Road, Eagan, Minnesota, 55121, USA. Patents Pending and Patented U.S. & Foreign. Ergotron is a registered trademark of Ergotron, Inc.



SOLUTION PERSONNALISÉE POUR DELL PAR
ERGOTRON Pour toute information sur le service,
visitez : www.ergotron.com/Dell
ou www.dell.com/support.

FRANÇAIS