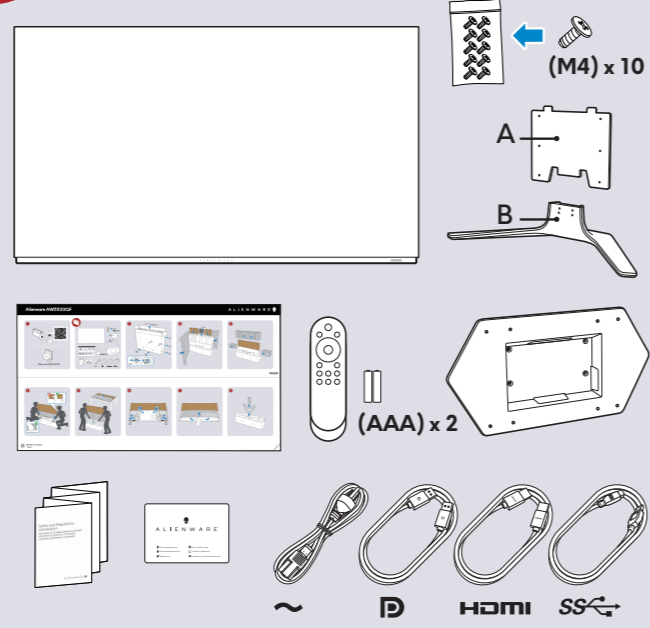

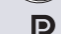





i

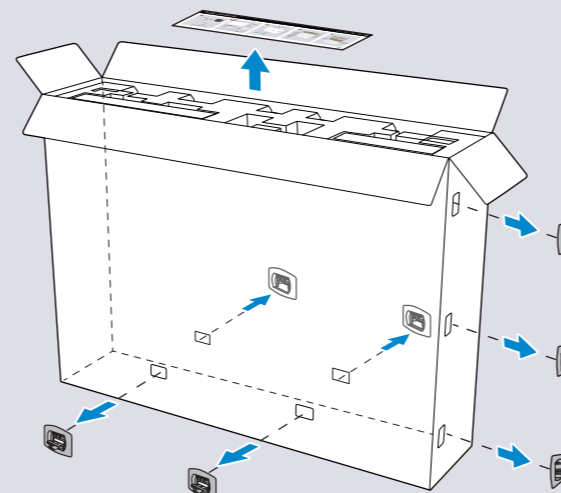


Dell.com/AW5520QF



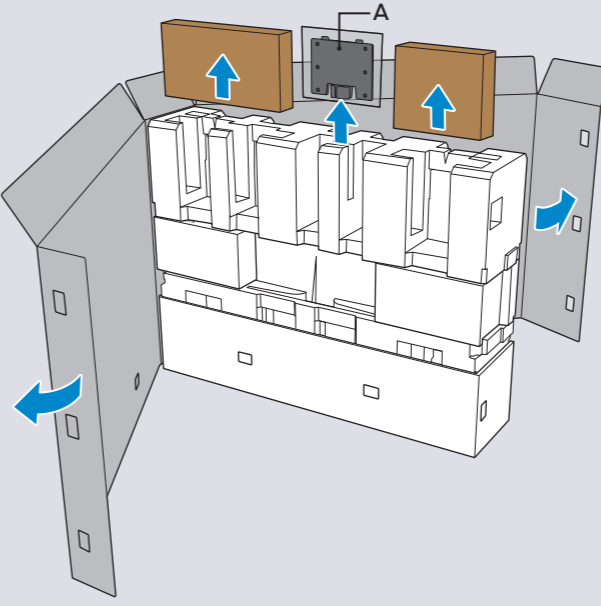
(M4) x 10
A
B
(AAA) x 2
~    

1

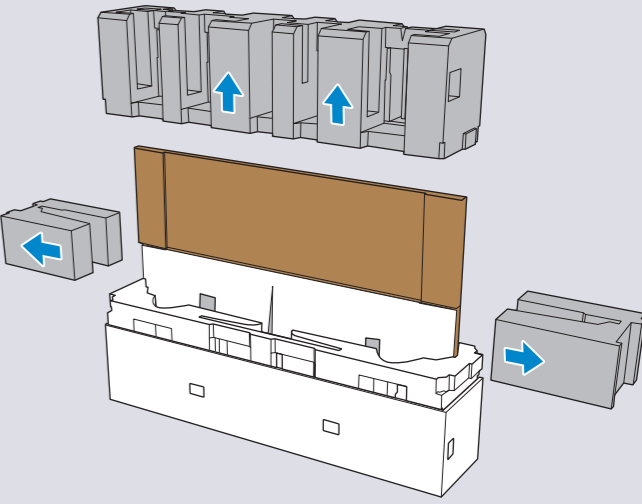


x 7

2

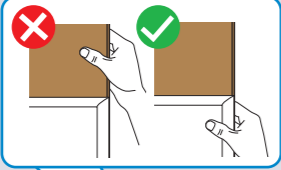
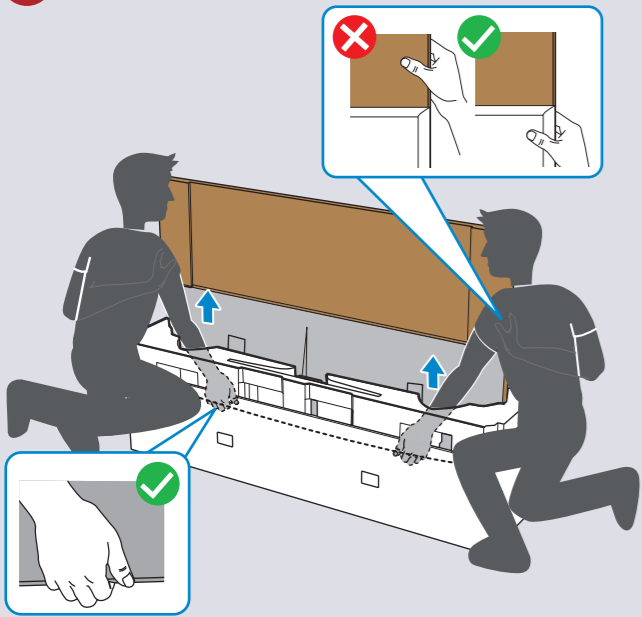


3

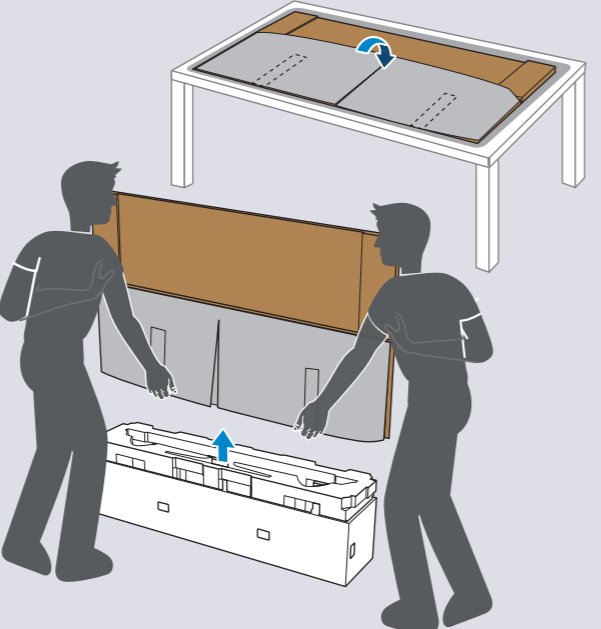


(Dell P/N: JCN4T A01)
P/N: 4J.4C401.003

4



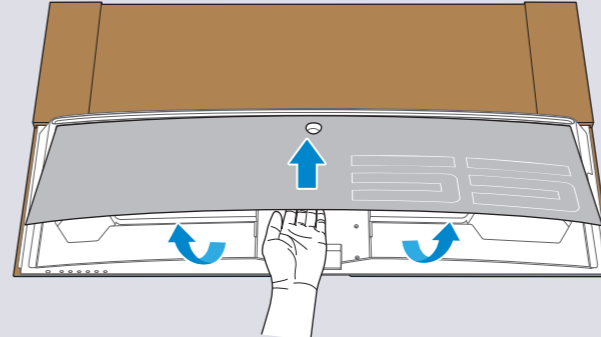
5



6



7



8

