




Dell™ Inspiron™ 560/570 Service Manual

[Before You Begin](#)
[Technical Overview](#)
[Computer Cover](#)
[Front Bezel](#)
[Memory Module\(s\)](#)
[PCI and PCI Express Cards](#)
[Drives](#)

[Fans](#)
[Front I/O Panel](#)
[Processor](#)
[System Board](#)
[Power Supply](#)
[Battery](#)
[System Setup](#)

Notes, Cautions, and Warnings

-  **NOTE:** A NOTE indicates important information that helps you make better use of your computer.
 -  **CAUTION:** A CAUTION indicates potential damage to hardware or loss of data if instructions are not followed.
 -  **WARNING:** A WARNING indicates a potential for property damage, personal injury, or death.
-

Information in this document is subject to change without notice.
© 2009 Dell Inc. All rights reserved.

Reproduction of these materials in any manner whatsoever without the written permission of Dell Inc. is strictly forbidden.

Trademarks used in this text: *Dell*, the *DELL* logo, and *Inspiron* are trademarks of Dell Inc.; *Intel SpeedStep* is a registered trademark of Intel Corporation in the U.S. and other countries; *AMD* is a trademark of Advanced Micro Devices, Inc; *Microsoft* and *Windows* are either trademarks or registered trademarks of Microsoft Corporation in the United States and/or other countries.

Other trademarks and trade names may be used in this document to refer to either the entities claiming the marks and names or their products. Dell Inc. disclaims any proprietary interest in trademarks and trade names other than its own.

Models: DCME and D06M Type: D06M001

November 2009 Rev. A00

[Back to Contents Page](#)

Before You Begin

Dell™ Inspiron™ 560/570 Service Manual

- [Technical Specifications](#)
- [Recommended Tools](#)
- [Turning Off Your Computer](#)
- [Safety Instructions](#)

This manual provides procedures for removing and installing the components in your computer. Unless otherwise noted, each procedure assumes that the following conditions exist:

- 1 You have performed the steps in [Turning Off Your Computer](#) and [Safety Instructions](#).
- 1 You have read the safety information that ships with your computer.
- 1 A component can be replaced or—if purchased separately—installed by performing the removal procedure in reverse order.

Technical Specifications

For information on technical specifications of your computer, see the *Comprehensive Specifications* at support.dell.com/manuals.

Recommended Tools

The procedures in this document may require the following tools:

- 1 Small Phillips screwdriver
- 1 Small flat-blade screwdriver
- 1 BIOS executable update program available at support.dell.com

Turning Off Your Computer

 **CAUTION:** To avoid losing data, save and close all open files and exit all open programs before you turn off your computer.


1. Save and close all open files and exit all open programs.

2. Shut down your computer:

Windows Vista®:

Click **Start** , click the arrow , and then click **Shut Down**.




Windows® 7:

Click **Start** , and click **Shut Down**.


3. The computer turns off after the operating system shutdown process is complete.
4. Ensure that the computer is turned off. If your computer did not automatically turn off when you shut down the operating system, press and hold the power button until the computer turns off.

Safety Instructions


Use the following safety guidelines to help protect your computer from potential damage and to help to ensure your own personal safety.

-  **WARNING:** Before working inside your computer, read the safety information that shipped with your computer. For additional safety best practices information, see the Regulatory Compliance Homepage at www.dell.com/regulatory_compliance.
-  **CAUTION:** Only a certified service technician should perform repairs on your computer. Damage due to servicing that is not authorized by Dell is not covered by your warranty.
-  **CAUTION:** When you disconnect a cable, pull on its connector or on its pull-tab, not on the cable itself. Some cables have connectors with locking tabs; if you are disconnecting this type of cable, press in on the locking tabs before you disconnect the cable. As you pull connectors apart, keep them evenly aligned to avoid bending any connector pins. Also, before you connect a cable, ensure that both connectors are correctly oriented


and aligned.

 **CAUTION:** To avoid damaging the computer, perform the following steps before you begin working inside the computer.

1. Ensure that the work surface is flat and clean to prevent the computer cover from being scratched.
2. Turn off your computer (see [Turning Off Your Computer](#)).

 **CAUTION:** To disconnect a network cable, first unplug the cable from your computer and then unplug the cable from the network device.

5. Disconnect all telephone or network cables from the computer.
6. Disconnect your computer and all attached devices from their electrical outlets.
7. Disconnect all attached devices from your computer.
8. Press and eject any installed cards from the optional Media Card Reader.
9. Press and hold the power button while the system is unplugged to ground the system board.

 **CAUTION:** Before touching anything inside your computer, ground yourself by touching an unpainted metal surface, such as the metal at the back of the computer. While you work, periodically touch an unpainted metal surface to dissipate static electricity, which could harm internal components.

[Back to Contents Page](#)

Front Bezel

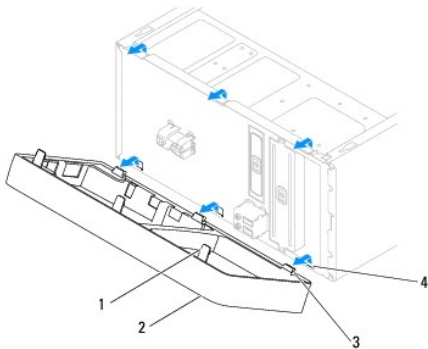
Dell™ Inspiron™ 560/570 Service Manual

- [Removing the Front Bezel](#)
- [Replacing the Front Bezel](#)

- ⚠ **WARNING:** Before working inside your computer, read the safety information that shipped with your computer. For additional safety best practices information, see the Regulatory Compliance Homepage at www.dell.com/regulatory_compliance.
 - ⚠ **WARNING:** To guard against electrical shock, always unplug your computer from the electrical outlet before removing the cover.
 - ⚠ **WARNING:** Do not operate your equipment with any cover(s) (including computer covers, bezels, filler brackets, front-panel inserts, etc.) removed.
 - ⚠ **CAUTION:** Only a certified service technician should perform repairs on your computer. Damage due to servicing that is not authorized by Dell™ is not covered by your warranty.
-

Removing the Front Bezel

1. Follow the procedures in [Before You Begin](#).
2. Remove the computer cover (see [Removing the Computer Cover](#)).
3. Grasp and lift the front-bezel grips one at a time to release it from the front panel.
4. Rotate and pull the front bezel away from the front of the computer to release the front-bezel clamps from the front-bezel inserts.



1	front-bezel grips (3)	2	front bezel
3	front-bezel clamps (3)	4	front-bezel inserts (3)

5. Set aside the front bezel in a secure location.
-

Replacing the Front Bezel

1. Follow the procedures in [Before You Begin](#).
 2. Align and insert the front-bezel clamps into the front-bezel inserts.
 3. Rotate the front bezel towards the computer until the front-bezel grips snap into place.
 4. Replace the computer cover (see [Replacing the Computer Cover](#)).
 5. Connect your computer and devices to electrical outlets, and then turn them on.
-

[Back to Contents Page](#)

PCI and PCI Express Cards

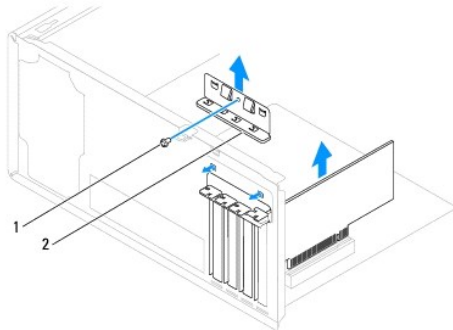
Dell™ Inspiron™ 560/570 Service Manual

- [Removing the Card Retention Bracket](#)
- [Replacing the Card Retention Bracket](#)
- [Removing PCI and PCI Express Cards](#)
- [Replacing PCI and PCI Express Cards](#)
- [Configuring Your Computer After Removing or Installing a PCI or PCI Express Card](#)

- ⚠ WARNING:** Before working inside your computer, read the safety information that shipped with your computer. For additional safety best practices information, see the Regulatory Compliance Homepage at www.dell.com/regulatory_compliance.
- ⚠ WARNING:** To guard against electrical shock, always unplug your computer from the electrical outlet before removing the cover.
- ⚠ WARNING:** Do not operate your equipment with any cover(s) (including computer covers, bezels, filler brackets, front-panel inserts, etc.) removed.
- ⚠ CAUTION:** Only a certified service technician should perform repairs on your computer. Damage due to servicing that is not authorized by Dell™ is not covered by your warranty.
-

Removing the Card Retention Bracket

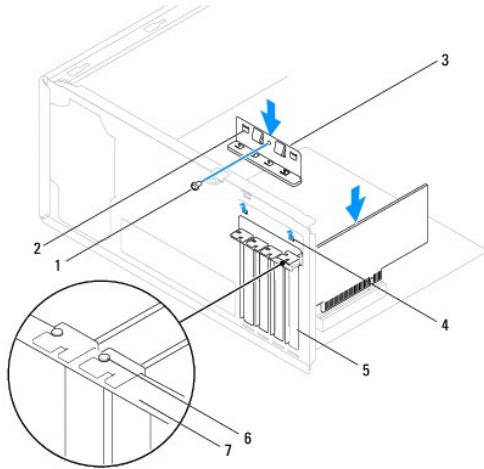
1. Follow the procedures in [Before You Begin](#).
2. Remove the computer cover (see [Removing the Computer Cover](#)).
3. Remove the screw that secures the card retention bracket to the chassis.
4. Lift the card retention bracket and set it aside in a secure place.



1	screw	2	card retention bracket
---	-------	---	------------------------

Replacing the Card Retention Bracket

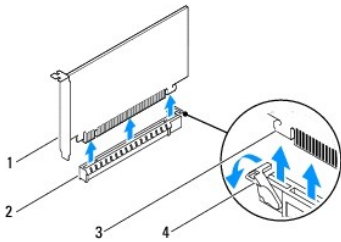
1. Follow the procedures in [Before You Begin](#).
2. Replace the card retention bracket, ensuring that:
 - 1 The guide clamp is aligned with the guide notch.
 - 1 The tops of all cards and filler brackets are flush with the alignment bar.
 - 1 The notch in the top of the card or filler bracket fits around the alignment guide.
3. Replace the screw that secures the card retention bracket to the chassis.



1 screw	2 guide clamps (2)	3 card retention bracket
4 guide notches (2)	5 filler bracket	6 alignment guide
7 alignment bar		


Removing PCI and PCI Express Cards

1. Follow the procedures in [Before You Begin](#).
2. Remove the computer cover (see [Removing the Computer Cover](#)).
3. Remove the card retention bracket (see [Removing the Card Retention Bracket](#)).
4. If necessary, disconnect any cables connected to the card and remove the card.
 1. For a PCI or PCI Express x1 card, grasp the card by its top corners, and ease it out of its connector.
 1. For a PCI Express x16 card, press down on the retention mechanism, grasp the card by its top corners, and then ease it out of its connector.



1 PCI Express x16 card	2 PCI Express x16 card slot
3 securing tab	4 retention mechanism

5. If you are removing the card permanently, install a filler bracket in the empty card-slot opening.

 **NOTE:** Installing filler brackets over empty card-slot openings is necessary to maintain FCC certification of the computer. The brackets also keep dust and dirt out of your computer.
6. Replace the card retention bracket (see [Replacing the Card Retention Bracket](#)).
7. Replace the computer cover (see [Replacing the Computer Cover](#)).
8. Connect your computer and devices to electrical outlets, and then turn them on.
9. Remove the card's driver from the operating system.

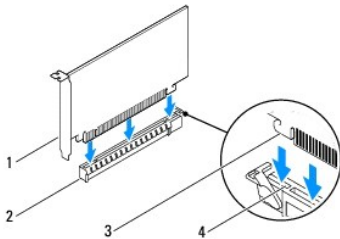
- To complete the removal procedure, see [Configuring Your Computer After Removing or Installing a PCI or PCI Express Card](#).

Replacing PCI and PCI Express Cards

- Follow the procedures in [Before You Begin](#).
- Remove the computer cover (see [Removing the Computer Cover](#)).
- Remove the card retention bracket (see [Removing the Card Retention Bracket](#)).
- If this is a new card installation, remove the filler bracket covering the card-slot opening.
- Prepare the card for installation.

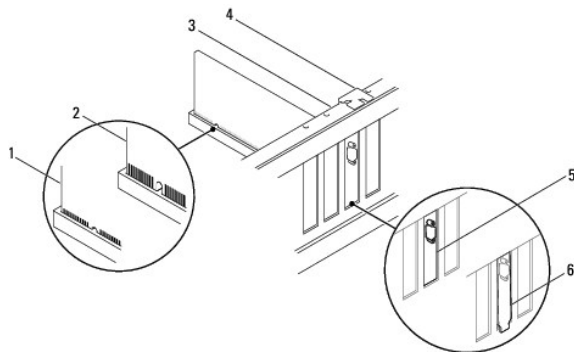
See the documentation that came with the card for information on configuring the card, making internal connections, or otherwise customizing it for your computer.

- If you are installing the PCI Express card into the x16 card connector, position the card so the securing slot is aligned with the securing tab.



1	PCI Express x16 card	2	PCI Express x16 card slot
3	securing tab	4	securing slot

- Place the card in the connector and press down firmly. Ensure that the card is fully seated in the slot.



1	fully-seated card	2	not fully-seated card	3	alignment bar
4	alignment guide	5	bracket within slot	6	bracket caught outside of slot

- Replace the card retention bracket (see [Replacing the Card Retention Bracket](#)).
- Connect any cables that should be attached to the card.


See the documentation for the card for information about the card's cable connections.

CAUTION: Do not route card cables over or behind the cards. Cables routed over the cards can prevent the computer cover from closing properly or cause damage to the equipment.

- Replace the computer cover (see [Replacing the Computer Cover](#)).
- Connect your computer and devices to electrical outlets, and then turn them on.

12. To complete the installation, see [Configuring Your Computer After Removing or Installing a PCI or PCI Express Card](#).

Configuring Your Computer After Removing or Installing a PCI or PCI Express Card

 **NOTE:** For information on location of external connectors, see the Setup Guide. For information on installing drivers and software for your card, see the documentation that shipped with the card.

	Installed	Removed
Sound Card	<ol style="list-style-type: none">1. Enter system setup (see Entering System Setup).2. Go to Onboard Audio Controller and then change the setting to Disabled.3. Connect the external audio devices to the sound card's connectors.	<ol style="list-style-type: none">1. Enter system setup (see Entering System Setup).2. Go to Onboard Audio Controller and then change the setting to Enabled.3. Connect the external audio devices to the computer's back panel connectors.
Network Card	<ol style="list-style-type: none">1. Enter system setup (see Entering System Setup).2. Go to Onboard LAN Controller and then change the setting to Disabled.3. Connect the network cable to the network card's connector.	<ol style="list-style-type: none">1. Enter system setup (see Entering System Setup).2. Go to Onboard LAN Controller and then change the setting to Enabled.3. Connect the network cable to the integrated network connector.

[Back to Contents Page](#)

Battery

Dell™ Inspiron™ 560/570 Service Manual

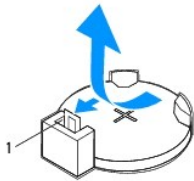
- [Removing the Battery](#)
- [Replacing the Battery](#)

- ⚠ **WARNING:** Before working inside your computer, read the safety information that shipped with your computer. For additional safety best practices information, see the Regulatory Compliance Homepage at www.dell.com/regulatory_compliance.
 - ⚠ **WARNING:** A new battery can explode if it is incorrectly installed. Replace the battery only with the same or equivalent type recommended by the manufacturer. Discard used batteries according to the manufacturer's instructions.
 - ⚠ **WARNING:** To guard against electrical shock, always unplug your computer from the electrical outlet before removing the cover.
 - ⚠ **WARNING:** Do not operate your equipment with any cover(s) (including computer covers, bezels, filler brackets, front-panel inserts, etc.) removed.
 - ⚠ **CAUTION:** Only a certified service technician should perform repairs on your computer. Damage due to servicing that is not authorized by Dell™ is not covered by your warranty.
-

Removing the Battery

1. Record all the screens in System Setup (see [System Setup](#)) so that you can restore the correct settings after the new battery has been installed.
2. Follow the procedures in [Before You Begin](#).
3. Remove the computer cover (see [Removing the Computer Cover](#)).
4. Locate the battery socket (see [System Board Components](#)).

- ⚠ **CAUTION:** If you pry the battery out of its socket with a blunt object, be careful not to touch the system board with the object. Ensure that the object is inserted between the battery and the socket before you attempt to pry out the battery. Otherwise, you may damage the system board by prying off the socket or by breaking circuit traces on the system board.

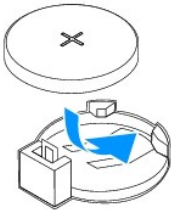


1 battery release lever

5. Press the battery release lever to remove the battery.
-

Replacing the Battery

1. Follow the procedures in [Before You Begin](#).
2. Insert the new battery (CR2032) into the socket with the side labeled "+" facing up, and press the battery into place.



3. Replace the computer cover (see [Replacing the Computer Cover](#)).
4. Connect your computer and devices to electrical outlets, and then turn them on.

5. Enter System Setup (see [Entering System Setup](#)) and restore the settings you recorded in [step 1](#).

[Back to Contents Page](#)

Computer Cover

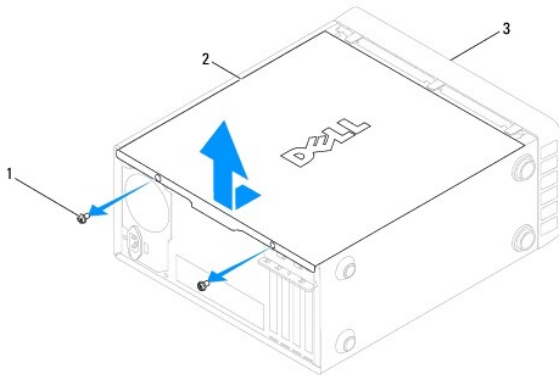
Dell™ Inspiron™ 560/570 Service Manual

- [Removing the Computer Cover](#)
- [Replacing the Computer Cover](#)

- ⚠ **WARNING:** Before working inside your computer, read the safety information that shipped with your computer. For additional safety best practices information, see the Regulatory Compliance Homepage at www.dell.com/regulatory_compliance.
 - ⚠ **WARNING:** To guard against electrical shock, always unplug your computer from the electrical outlet before removing the cover.
 - ⚠ **WARNING:** Do not operate your equipment with any cover(s) (including computer covers, bezels, filler brackets, front-panel inserts, etc.) removed.
 - ⚠ **CAUTION:** Only a certified service technician should perform repairs on your computer. Damage due to servicing that is not authorized by Dell™ is not covered by your warranty.
 - ⚠ **CAUTION:** Ensure that sufficient space exists to support the system with the cover removed—at least 30 cm (1 ft.) of desk top space.
-

Removing the Computer Cover

1. Follow the procedures in [Before You Begin](#).
2. Lay your computer on its side with the computer cover facing up.
3. Using a screwdriver, remove the two screws that secure the computer cover to the chassis.
4. Release the computer cover by pulling it away from the front of the computer and lifting it up.

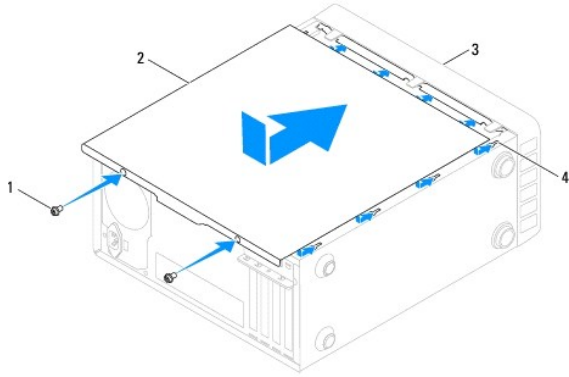


1	screws (2)	2	computer cover	3	front of computer
---	------------	---	----------------	---	-------------------

5. Set the cover aside in a secure location.
-

Replacing the Computer Cover

1. Follow the procedures in [Before You Begin](#).
2. Ensure that all cables are connected, and fold cables out of the way.
3. Ensure that no tools or extra parts are left inside the computer.
4. Align the tabs at the bottom of the computer cover with the slots located along the edge of the computer.
5. Press the computer cover down and slide it towards the front of the computer until you feel a click or feel the computer cover securely installed.
6. Ensure that the cover is seated correctly.
7. Using a screwdriver, replace the two screws that secure the computer cover to the chassis.



1	screws (2)	2	computer cover
3	front of the computer	4	slot

8. Place the computer in an upright position.

CAUTION: Ensure that none of the system air-vents are blocked. Blocking them would cause serious thermal problems.

[Back to Contents Page](#)

Processor

Dell™ Inspiron™ 560/570 Service Manual

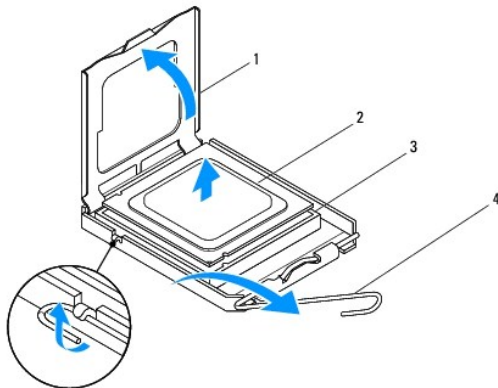
- [Removing the Processor](#)
- [Replacing the Processor](#)

- ⚠ **WARNING:** Before working inside your computer, read the safety information that shipped with your computer. For additional safety best practices information, see the Regulatory Compliance Homepage at www.dell.com/regulatory_compliance.
 - ⚠ **WARNING:** To guard against electrical shock, always unplug your computer from the electrical outlet before removing the cover.
 - ⚠ **WARNING:** Do not operate your equipment with any cover(s) (including computer covers, bezels, filler brackets, front-panel inserts, etc.) removed.
 - ⚠ **CAUTION:** Only a certified service technician should perform repairs on your computer. Damage due to servicing that is not authorized by Dell is not covered by your warranty.
 - ⚠ **CAUTION:** Do not perform the following steps unless you are familiar with hardware removal and replacement. Performing these steps incorrectly could damage your system board. For technical service information, see the Setup Guide.
-

Removing the Processor

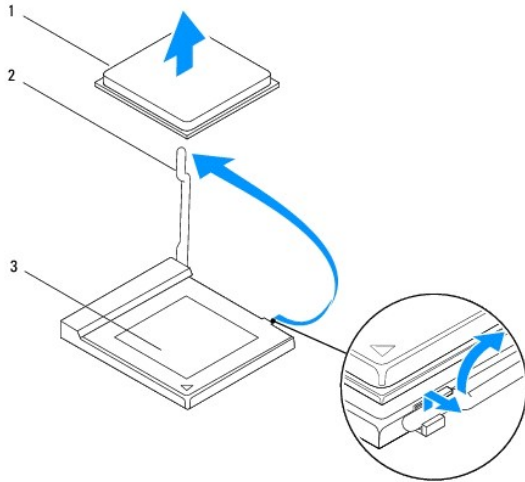
1. Follow the procedures in [Before You Begin](#).
 2. Remove the computer cover (see [Removing the Computer Cover](#)).
- ⚠ **CAUTION:** Despite having a plastic shield, the heat sink assembly may be very hot during normal operation. Be sure that it has had sufficient time to cool before you touch it.
3. Remove the processor fan and heat sink assembly from the computer (see [Removing the Processor Fan and Heat Sink Assembly](#)).
- 🔧 **NOTE:** Unless a new heat sink is required for the new processor, reuse the original heat sink assembly when you replace the processor.
4. Press and push the release lever down and out to release it from the tab that secures it.
 5. Open the processor cover, if applicable.

Inspiron™ 560



1	processor cover	2	processor
3	socket	4	release lever

Inspiron 570



1	processor	2	release lever
3	socket		

CAUTION: When removing the processor, do not touch any of the pins inside the socket or allow any objects to fall on the pins in the socket.

6. Gently lift the processor to remove it from the socket.

Leave the release lever extended in the release position so that the socket is ready for the new processor.

Replacing the Processor

CAUTION: Ground yourself by touching an unpainted metal surface on the back of the computer.

CAUTION: When replacing the processor, do not touch any of the pins inside the socket or allow any objects to fall on the pins in the socket.

1. Follow the procedures in [Before You Begin](#).

2. Unpack the new processor, being careful not to touch the underside of the processor.

CAUTION: You must position the processor correctly in the socket to avoid permanent damage to the processor and the computer when you turn on the computer.

3. If the release lever on the socket is not fully extended, move it to that position.

4. For Inspiron 560, orient the front and rear alignment-notches on the processor with the front and rear alignment-notches on the socket.

5. Align the pin-1 corners of the processor and socket.

CAUTION: To avoid damage, ensure that the processor aligns properly with the socket, and do not use excessive force when you install the processor.

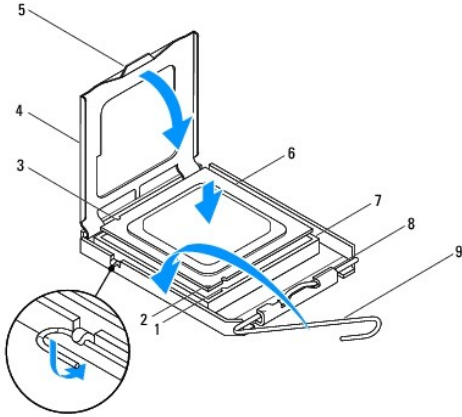
6. Set the processor lightly in the socket and ensure that the processor is positioned correctly.

7. When the processor is fully seated in the socket, close the processor cover, if applicable.

Ensure that the tab on the processor cover is positioned underneath the center cover latch on the socket.

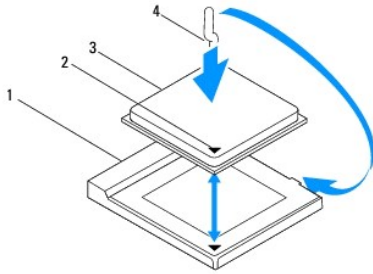
8. Pivot the socket release lever back toward the socket, and snap it into place to secure the processor.

Inspiron 560



1	front alignment notch	2	processor pin-1 indicator	3	rear alignment notch
4	processor cover	5	center cover latch	6	processor
7	socket	8	tab	9	release lever

Inspiron 570



1	socket	2	processor pin-1 indicator
3	processor	4	release lever

9. Clean the thermal grease from the bottom of the heat sink.

⚠ **CAUTION:** Ensure that you apply new thermal grease. New thermal grease is critical for ensuring adequate thermal bonding, which is a requirement for optimal processor operation.

10. Apply the new thermal grease to the top of the processor.

11. Replace the processor fan and heat sink assembly (see [Replacing the Processor Fan and Heat Sink Assembly](#)).

⚠ **CAUTION:** Ensure that the processor fan and heat sink assembly is correctly seated and secure.

12. Replace the computer cover (see [Replacing the Computer Cover](#)).

13. Connect your computer and devices to electrical outlets, and turn them on.

Drives

Dell™ Inspiron™ 560/570 Service Manual

- [Hard Drive](#)
- [Media Card Reader](#)
- [Optical Drive](#)

- ⚠ **WARNING:** Before working inside your computer, read the safety information that shipped with your computer. For additional safety best practices information, see the Regulatory Compliance Homepage at www.dell.com/regulatory_compliance.
 - ⚠ **WARNING:** To guard against electrical shock, always unplug your computer from the electrical outlet before removing the cover.
 - ⚠ **WARNING:** Do not operate your equipment with any cover(s) (including computer covers, bezels, filler brackets, front-panel inserts, etc.) removed.
 - ⚠ **CAUTION:** Only a certified service technician should perform repairs on your computer. Damage due to servicing that is not authorized by Dell™ is not covered by your warranty.
-

Hard Drive

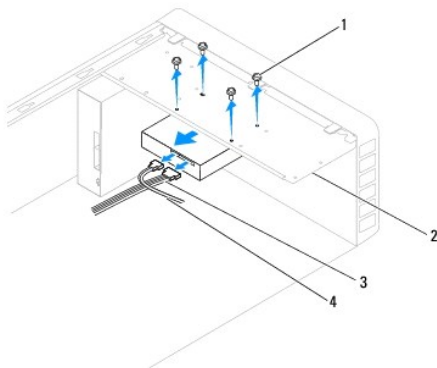
Removing the Hard Drive

- ⚠ **CAUTION:** If you are replacing a hard drive that contains data that you want to keep, back up your files before you begin this procedure.

1. Follow the procedures in [Before You Begin](#).
2. Remove the computer cover (see [Removing the Computer Cover](#)).
3. Disconnect the power cable and the data cable from the hard drive.
4. Remove the four screws that secure the hard drive to the drive panel.

- ⚠ **CAUTION:** Ensure that you do not scratch the hard drive's circuit board, while removing or replacing the hard drive.

5. Slide the hard drive out towards the back of the computer.



1	screws (4)	2	drive panel
3	power cable	4	data cable

6. If removing the hard drive changes the drive configuration, ensure that you reflect these changes in System Setup (see [System Setup](#)).

Replacing the Hard Drive

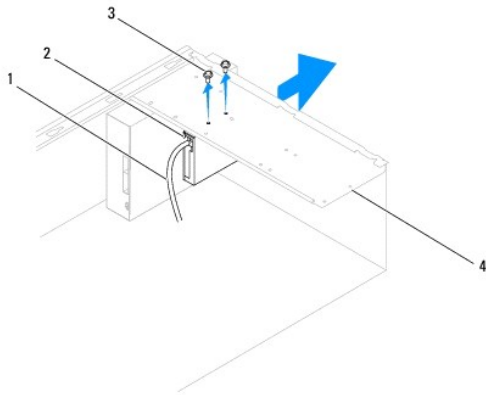
1. Follow the procedures in [Before You Begin](#).
2. Check the documentation for the drive to verify that it is configured for your computer.

3. Slide the hard drive into the hard-drive bay.
 4. Align and replace the four screws that secure the hard drive to the drive panel.
 5. Connect the power cable and the data cable to the hard drive.
 6. Check all cables to be certain that they are properly connected and firmly seated.
 7. Replace the computer cover (see [Replacing the Computer Cover](#)).
 8. Connect your computer and devices to electrical outlets, and then turn them on.
 9. See the documentation that came with the hard drive for instructions on installing any software required for hard drive operation.
 10. Check the System Setup for hard drive configuration changes (see [Entering System Setup](#)).
-

Media Card Reader

Removing the Media Card Reader

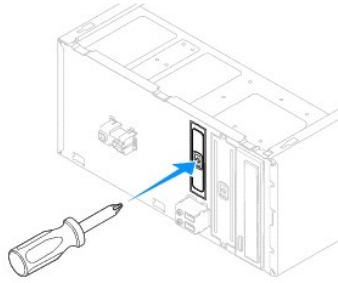
1. Follow the procedures in [Before You Begin](#).
2. Remove the computer cover (see [Removing the Computer Cover](#)).
3. Remove the front bezel (see [Removing the Front Bezel](#)).
4. Disconnect the FlexBay USB cable from the system board connector (see [System Board Components](#)).
5. Remove the two screws that secure the Media Card Reader to the drive panel.
6. Slide the Media Card Reader out through the front of the computer.



1	FlexBay USB cable	2	Media Card Reader (not present on all computers)
3	screws (2)	4	drive panel

Replacing the Media Card Reader

1. Follow the procedures in [Before You Begin](#).
2. If this is a new Media Card Reader installation, remove the break-away metal plate. Align the tip of a Phillips screwdriver with the slot on the break-away metal plate and rotate the screwdriver outwards to break and remove the metal plate.

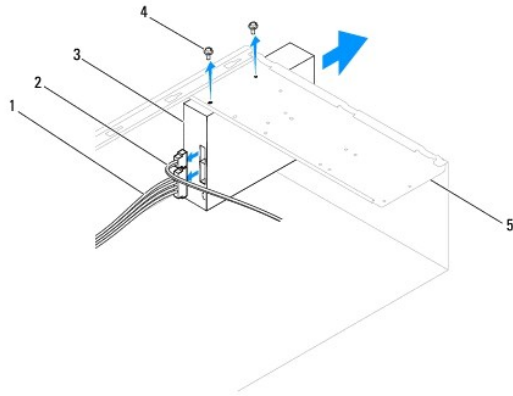


3. Gently slide the Media Card Reader into place in the FlexBay slot.
 4. Align the screw holes in the Media Card Reader with the screw holes in the drive panel.
 5. Replace the two screws that secure the Media Card Reader to the drive panel.
NOTE: Ensure that the Media Card Reader is installed before the FlexBay USB cable is connected.
 6. Connect the FlexBay USB cable to the system board connector (see [System Board Components](#)).
 7. Replace the front bezel (see [Replacing the Front Bezel](#)).
 8. Replace the computer cover (see [Replacing the Computer Cover](#)).
 9. Connect your computer and devices to electrical outlets, and then turn them on.
-

Optical Drive

Removing the Optical Drive

1. Follow the procedures in [Before You Begin](#).
2. Remove the computer cover (see [Removing the Computer Cover](#)).
3. Remove the front bezel (see [Removing the Front Bezel](#)).
4. Disconnect the power cable and the data cable from the back of the optical drive.
NOTE: If you are not replacing the optical drive at this time, disconnect the other end of the data cable from the system board and set it aside. You can use the data cable to install an optical drive at a later time.
5. Remove the two screws that secure the optical drive to the drive panel.
6. Slide the optical drive out through the front of the computer.



1	power cable	2	data cable	3	optical drive
4	screws (2)	5	drive panel		

7. Replace the front bezel (see [Replacing the Front Bezel](#)).
8. Replace the computer cover (see [Replacing the Computer Cover](#)).
9. Connect your computer and devices to electrical outlets, and then turn them on.
10. Configure the drives in system setup (see [System Setup Options](#)).

Replacing the Optical Drive

1. Follow the procedures in [Before You Begin](#).
2. Gently slide the optical drive into the optical-drive bay through the front of the computer.
3. Align the screw holes in the optical drive with the screw holes in the drive panel.
4. Replace the two screws that secure the optical drive to the drive panel.
5. Connect the power cable and the data cable to the optical drive.
6. If disconnected, connect the data cable to the system board connector (see [System Board Components](#)).
7. Replace the front bezel (see [Replacing the Front Bezel](#)).
8. Replace the computer cover (see [Replacing the Computer Cover](#)).
9. Connect your computer and devices to electrical outlets, and turn them on.

See the documentation that came with the optical drive for instructions on installing any software required for optical drive operation.

10. Check the System Setup for drive configuration changes (see [Entering System Setup](#)).

Fans

Dell™ Inspiron™ 560/570 Service Manual

- [Removing the Processor Fan and Heat Sink Assembly](#)
- [Replacing the Processor Fan and Heat Sink Assembly](#)
- [Removing the Chassis Fan](#)
- [Replacing the Chassis Fan](#)

- ⚠ **WARNING:** Before working inside your computer, read the safety information that shipped with your computer. For additional safety best practices information, see the Regulatory Compliance Homepage at www.dell.com/regulatory_compliance.
- ⚠ **WARNING:** To guard against likelihood of electric shock, laceration by moving fan blades or other unexpected injuries, always unplug your computer from the electrical outlet before removing the cover.
- ⚠ **WARNING:** Do not operate your equipment with any cover(s) (including computer covers, bezels, filler brackets, front-panel inserts, etc.) removed.
- ⚠ **CAUTION:** Only a certified service technician should perform repairs on your computer. Damage due to servicing that is not authorized by Dell™ is not covered by your warranty.

Removing the Processor Fan and Heat Sink Assembly

- ⚠ **CAUTION:** The processor fan with the heat sink is one single unit. Do not try to remove the fan separately.
- ⚠ **CAUTION:** Do not touch the fan blades when you are removing the processor fan and heat sink assembly. This could damage the fan.

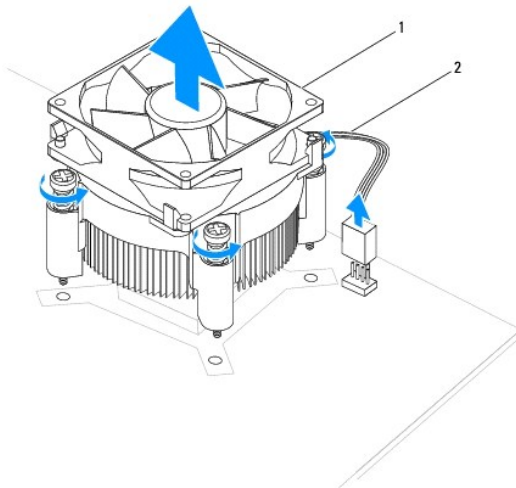
1. Follow the procedures in [Before You Begin](#).
2. Remove the computer cover (see [Removing the Computer Cover](#)).
3. Disconnect the processor fan cable from the system board connector (see [System Board Components](#)).
4. Carefully move away any cables that are routed over the processor fan and heat sink assembly.

- ⚠ **CAUTION:** Despite having a plastic shield, the processor fan and heat sink assembly may be very hot during normal operation. Be sure that it has had sufficient time to cool before you touch it.

5. Remove the processor fan and heat sink assembly.

Inspiron™ 560

- a. Loosen the four captive screws securing the processor fan and heat sink assembly and lift it straight up.

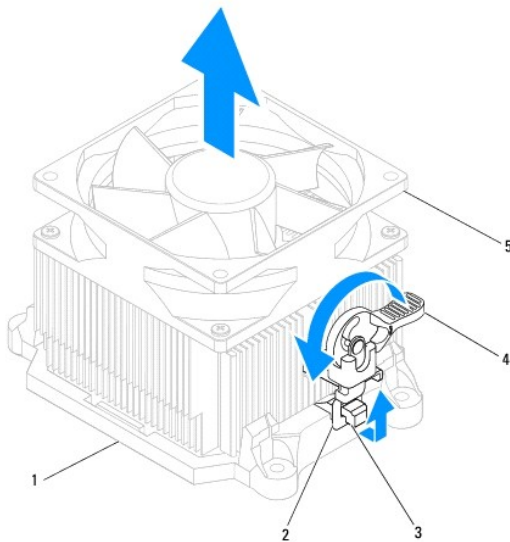


1	processor fan and heat sink assembly	2	processor fan cable
---	--------------------------------------	---	---------------------

- 🔍 **NOTE:** The processor fan and heat sink assembly in your computer may not look exactly like the one shown in the illustration above.

Inspiron 570

- a. Rotate the clamp lever 180 degrees counter-clockwise to release the clamp grip from the bracket projection.
- b. Rotate the processor fan and heat sink assembly upward gently, and remove it from the computer. Lay the processor fan and heat sink assembly down on its top, with the thermal grease facing upward.



1	bracket	2	clamp grip	3	bracket projection
4	clamp lever	5	processor fan and heat sink assembly		

NOTE: The processor fan and heat sink assembly in your computer may not look exactly like the one shown in the illustration above.

Replacing the Processor Fan and Heat Sink Assembly

CAUTION: When reinstalling the fan, ensure that you do not pinch the wires that run between the system board and the fan.

1. Clean the thermal grease from the bottom of the processor fan and heat sink assembly.

CAUTION: Ensure that you apply new thermal grease. New thermal grease is critical for ensuring adequate thermal bonding, which is a requirement for optimal processor operation.

2. Apply the new thermal grease to the top of the processor.
3. Replace the processor fan and heat sink assembly.

Inspiron 560

- a. Align the captive screws on the processor fan and heat sink assembly to the four metal screw-hole projections on the system board.
- b. Tighten the four captive screws that secure the processor fan and heat sink assembly to the system board.

NOTE: Ensure that the processor fan and heat sink assembly is correctly seated and secure.

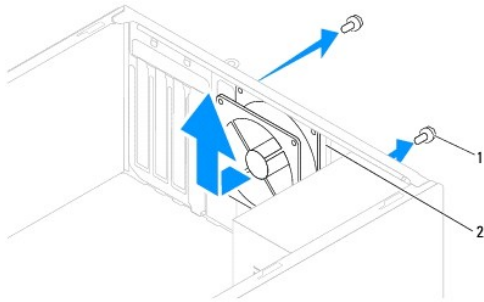
Inspiron 570

- a. Place the processor fan and heat sink assembly back onto the bracket.
 - b. Ensure that the two clamp grips are aligned with the two bracket projections.
 - c. Hold the processor fan and heat sink fan assembly in place and rotate the clamp lever 180 degrees clockwise to secure the processor fan and heat sink assembly.
4. Connect the processor fan cable to the system board connector (see [System Board Components](#)).
 5. Replace the computer cover (see [Replacing the Computer Cover](#)).
 6. Connect your computer and devices to electrical outlets, and turn them on.

Removing the Chassis Fan

⚠ CAUTION: Do not touch the fan blades when you are removing the chassis fan. This could damage the fan.

1. Follow the procedures in [Before You Begin](#).
2. Remove the computer cover (see [Removing the Computer Cover](#)).
3. Disconnect the chassis fan cable from the system board connector (see [System Board Components](#)).
4. Remove the two screws that secure the chassis fan to the chassis.
5. Slide the chassis fan towards the front of the computer and lift it out.



1	screws (2)	2	chassis fan
---	------------	---	-------------

Replacing the Chassis Fan

1. Follow the procedures in [Before You Begin](#).
2. Slide the chassis fan in place towards the back of the computer.
3. Replace the two screws that secure the chassis fan to the chassis.
4. Connect the chassis fan cable to the system board connector (see [System Board Components](#)).
5. Replace the computer cover (see [Replacing the Computer Cover](#)).
6. Connect your computer and devices to electrical outlets, and turn them on.

[Back to Contents Page](#)

Front I/O Panel

Dell™ Inspiron™ 560/570 Service Manual

- [Removing the Front I/O Panel](#)
- [Replacing the Front I/O Panel](#)

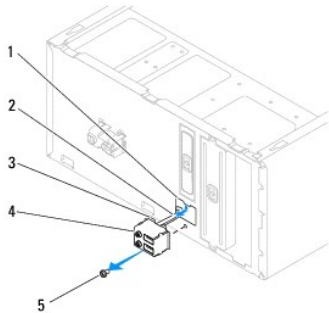
- ⚠ **WARNING:** Before working inside your computer, read the safety information that shipped with your computer. For additional safety best practices information, see the Regulatory Compliance Homepage at www.dell.com/regulatory_compliance.
 - ⚠ **WARNING:** To guard against electrical shock, always unplug your computer from the electrical outlet before removing the cover.
 - ⚠ **WARNING:** Do not operate your equipment with any cover(s) (including computer covers, bezels, filler brackets, front-panel inserts, etc.) removed.
 - ⚠ **CAUTION:** Only a certified service technician should perform repairs on your computer. Damage due to servicing that is not authorized by Dell™ is not covered by your warranty.
-

Removing the Front I/O Panel

1. Follow the procedures in [Before You Begin](#).
2. Remove the computer cover (see [Removing the Computer Cover](#)).
3. Remove the front bezel (see [Removing the Front Bezel](#)).

⚠ **CAUTION:** When sliding the front I/O panel out of the computer, be extremely careful. Carelessness may result in damage to the cable connectors and the cable routing clips.

4. Disconnect all the cables that are connected to the front I/O panel from the system board connectors. Note the routing of all cables as you remove them so that you can re-route them correctly after installing the new front I/O panel.
5. Remove the screw that secures the front I/O panel to the chassis.
6. Carefully slide the front I/O panel down and out of the front I/O panel clamp slot.



1	front I/O panel clamp slot	2	cables	3	front I/O panel clamp
4	front I/O panel	5	screw		

Replacing the Front I/O Panel

⚠ **CAUTION:** Take care not to damage the cable connectors and the cable routing clips when sliding the front I/O panel into the front I/O panel clamp slot.

1. Follow the procedures in [Before You Begin](#).
2. Route and connect the cables that you disconnected from the system board connectors.
3. Align and slide the front I/O panel clamp into the front I/O panel clamp slot.
4. Replace the screw that secures the front I/O panel to the chassis.

5. Replace the front bezel (see [Replacing the Front Bezel](#)).
6. Replace the computer cover (see [Replacing the Computer Cover](#)).
7. Connect your computer and devices to electrical outlets, and turn them on.

[Back to Contents Page](#)

Memory Module(s)

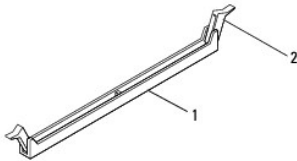
Dell™ Inspiron™ 560/570 Service Manual

- [Removing the Memory Module\(s\)](#)
- [Replacing the Memory Module\(s\)](#)
- [Recommended Memory Configuration](#)
- [Setting Up Dual-Channel Memory Configuration](#)

- ⚠ WARNING:** Before working inside your computer, read the safety information that shipped with your computer. For additional safety best practices information, see the Regulatory Compliance Homepage at www.dell.com/regulatory_compliance.
- ⚠ WARNING:** To guard against electrical shock, always unplug your computer from the electrical outlet before removing the cover.
- ⚠ WARNING:** Do not operate your equipment with any cover(s) (including computer covers, bezels, filler brackets, front-panel inserts, etc.) removed.
- ⚠ CAUTION:** Only a certified service technician should perform repairs on your computer. Damage due to servicing that is not authorized by Dell™ is not covered by your warranty.
-

Removing the Memory Module(s)

1. Follow the procedures in [Before You Begin](#).
2. Remove the computer cover (see [Removing the Computer Cover](#)).
3. Locate the memory module(s) on the system board (see [System Board Components](#)).
4. Press out the securing clip at each end of the memory-module connector.



1	memory-module connector	2	securing clip
---	-------------------------	---	---------------

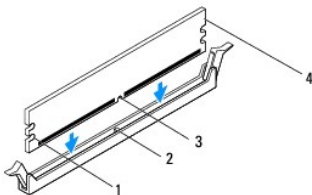
5. Grasp the memory module and pull it upwards.
If the memory module is difficult to remove, gently ease the memory module back and forth to remove it from the memory-module connector.
-

Replacing the Memory Module(s)

1. Follow the procedures in [Before You Begin](#).
2. Press out the securing clip at each end of the memory-module connector.
3. Follow the memory installation guidelines (see [Recommended Memory Configuration](#)).

⚠ CAUTION: Do not install ECC memory modules.

4. Align the notch on the bottom of the memory module with the tab in the memory-module connector.

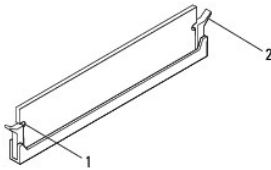


1	cutouts (2)	2	tab
3	notch	4	memory module

CAUTION: To avoid damage to the memory module, press the memory module straight down into the memory-module connector while you apply equal force to each end of the memory module.

- Insert the memory module into the memory-module connector until the memory module snaps into position.

If you insert the memory module correctly, the securing clips snap into the cutouts at each end of the memory module.



1	cutouts (2)	2	securing clip (snapped in position)
---	-------------	---	-------------------------------------

- Replace the computer cover (see [Replacing the Computer Cover](#)).

- Connect your computer and devices to electrical outlets, and then turn them on.

If the message appears stating that memory size has changed, press <F1> to continue.

- Log on to your computer.

- Right-click the **My Computer** icon on your Microsoft® Windows® desktop and click **Properties**.

- Click the **General** tab.

- To verify that the memory is installed correctly, check the amount of memory (RAM) listed.

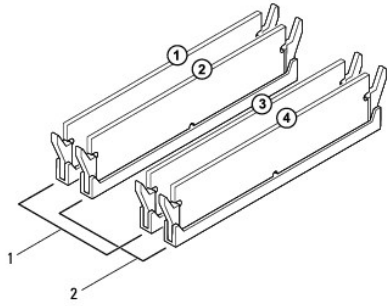
Recommended Memory Configuration

While installing or replacing memory, refer to the table below. For the location of the memory-module connectors, see [System Board Components](#).

Model	One module	Two modules	Three modules	Four modules
560	DIMM1	DIMM1 DIMM3	DIMM1 DIMM3 DIMM2	DIMM1 DIMM3 DIMM2 DIMM4
570	DIMM4	DIMM4 DIMM3	DIMM4 DIMM3 DIMM2	DIMM4 DIMM3 DIMM2 DIMM1

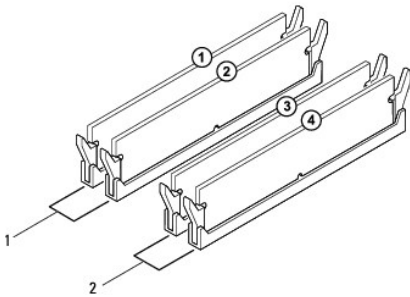
Setting Up Dual-Channel Memory Configuration

Inspiron 560



1	Pair A: matched pair of memory modules in connectors DIMM1 and DIMM3
2	Pair B: matched pair of memory modules in connectors DIMM2 and DIMM4

Inspiron 570



1	Pair B: matched pair of memory modules in connectors DIMM2 and DIMM4
2	Pair A: matched pair of memory modules in connectors DIMM1 and DIMM3

Power Supply

Dell™ Inspiron™ 560/570 Service Manual

- [Removing the Power Supply](#)
- [Replacing the Power Supply](#)

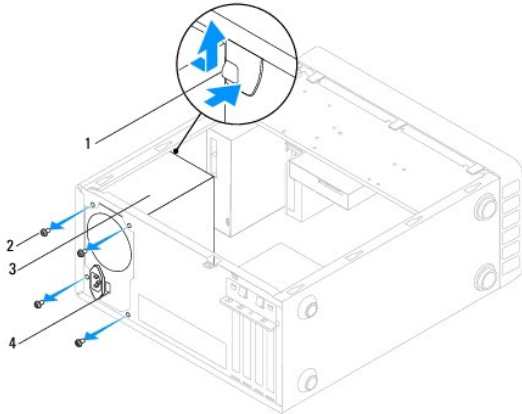
- ⚠ WARNING:** Before working inside your computer, read the safety information that shipped with your computer. For additional safety best practices information, see the Regulatory Compliance Homepage on www.dell.com at the following location: www.dell.com/regulatory_compliance.
- ⚠ WARNING:** To guard against electrical shock, always unplug your computer from the electrical outlet before removing the cover.
- ⚠ WARNING:** Do not operate your equipment with any cover(s) (including computer covers, bezels, filler brackets, front-panel inserts, etc.) removed.
- ⚠ CAUTION:** Only a certified service technician should perform repairs on your computer. Damage due to servicing that is not authorized by Dell™ is not covered by your warranty.
-

Removing the Power Supply

1. Follow the procedures in [Before You Begin](#).
2. Remove the computer cover (see [Removing the Computer Cover](#)).
3. Disconnect the DC power cables from the system board and the drives.

Note the routing of the DC power cables underneath the tabs in the computer chassis as you remove them from the system board and drives. You must route these cables properly when you replace them to prevent them from being pinched or crimped.

4. Remove all the cables from the securing clip on the side of the power supply.
5. Remove the four screws that secure the power supply to the back of the chassis.
6. While pressing down on the power supply retention snap, slide out the power supply and lift it out.



1	power supply retention snap	2	screws (4)
3	power supply	4	voltage selector switch

Replacing the Power Supply

1. Follow the procedures in [Before You Begin](#).
2. Press down on the power supply retention snap and slide the replacement power supply into the chassis.

⚠ WARNING: Failure to replace and tighten all screws may cause electrical shock as these screws are a key part of the system grounding.


3. Replace the four screws that secure the power supply to the back of the chassis.

 **NOTE:** Route the DC power cables under the chassis tabs. The cables must be properly routed to prevent the cables from being damaged.

4. Connect the DC power cables to the system board and drives.
5. Secure all the cables to the securing clip on the side of the power supply.

 **NOTE:** Double-check all cable connections to make sure they are secure.

6. Replace the computer cover (see [Replacing the Computer Cover](#)).

 **CAUTION:** To help avoid damaging your computer, ensure that the voltage selector switch is set for the voltage that most closely matches the AC power available in your location.

7. Connect your computer and devices to electrical outlets, and turn them on.

[Back to Contents Page](#)

System Setup


Dell™ Inspiron™ 560/570 Service Manual


- [Overview](#)
- [Entering System Setup](#)
- [Clearing Forgotten Passwords](#)
- [Clearing CMOS Settings](#)
- [Flashing the BIOS](#)


Overview

Use System Setup to:

- 1 Change the system configuration information after you add, change, or remove any hardware in your computer.
- 1 Set or change a user-selectable option such as the user password.
- 1 View the installed amount of memory or set the type of hard drive installed.


 **CAUTION:** Only a certified service technician should perform repairs on your computer. Damage due to servicing that is not authorized by Dell™ is not covered by your warranty.

 **CAUTION:** Do not change the settings in system setup unless you are an expert computer user. Certain changes can cause your computer to work incorrectly.

 **NOTE:** Before you use System Setup, it is recommended that you write down the System Setup screen information for future reference.

Entering System Setup

1. Turn on (or restart) your computer.
2. When the DELL logo appears, press <F2> immediately.

 **NOTE:** Keyboard failure may result when a key on the keyboard is held down for extended periods of time. To avoid possible keyboard failure, press and release <F2> in even intervals until the system setup screen appears.

If you wait too long and the operating system logo appears, continue to wait until you see the Microsoft® Windows® desktop, then shut down your computer and try again.

System Setup Screens

Options List — This field appears on the top of the system setup window. The tabbed options contain features that define the configuration of your computer, including installed hardware, power conservation, and security features.

Option Field — This field contains information about each option. In this field you can view your current settings and make changes to your settings. Use the right- and left-arrow keys to highlight an option. Press <Enter> to make that selection active.

Help Field — This field provides context sensitive help based on the options selected.

Key Functions — This field appears below the Option Field and lists keys and their functions within the active system setup field.

System Setup Options

 **NOTE:** Depending on your computer and installed devices, the items listed in this section may not appear, or may not appear exactly as listed.

Inspiron 560

System Info	
BIOS Info	Displays the BIOS version and date
System	Displays the computer model number
Service Tag	Displays the service tag of the computer
Asset Tag	Displays the asset tag for the computer, if present
Processor Type	Displays the processor type.

Processor L1 Cache	Displays the amount of processor Level 1 cache
Processor L2 Cache	Displays the amount of processor Level 2 cache
Memory Installed	Indicates the amount of installed memory
Memory Available	Indicates the amount of available memory
Memory Speed	Indicates the frequency of installed memory
Memory Technology	Indicates the type of installed memory
Standard CMOS Features	
Date	Displays current date in the format (mm:dd:yyyy)
Time	Displays current time in the format (hh:mm:ss)
SATA 0	Displays the SATA drives connected to the SATA 0 connector
SATA 1	Displays the SATA drives connected to the SATA 1 connector
SATA 2	Displays the SATA drives connected to the SATA 2 connector
SATA 3	Displays the SATA drives connected to the SATA 3 connector
Advanced BIOS Features	
CPU Feature	<ul style="list-style-type: none"> 1 Hyper-Threading Technology — Enabled; Disabled (Enabled by default) 1 Intel SpeedStep® — Enabled; Disabled (Enabled by default) 1 Virtualization — Enabled; Disabled (Disabled by default) 1 Limit CPUID Value — Enabled; Disabled (Disabled by default) 1 CPU XD Support — Enabled; Disabled (Enabled by default) 1 Multi Core Support — Enabled; Disabled (Enabled by default)
USB Device Setting	<ul style="list-style-type: none"> 1 USB Controller — Enabled; Disabled (Enabled by default) 1 USB Operation Mode — HiSpeed; FullSpeed (HiSpeed by default)
Advanced Chipset Features	
Onboard Audio Controller	Enabled; Disabled (Enabled by default)
SATA Mode	ATA; AHCI (AHCI by default)
Onboard LAN Controller	Enabled; Disabled (Enabled by default)
Onboard LAN Boot ROM	Enabled; Disabled (Disabled by default)
Boot Device Configuration	
Boot Settings Configuration	<ul style="list-style-type: none"> 1 Fast Boot — Enabled; Disabled (Enabled by default) 1 Numlock Key — On; Off (On by default) 1 Keyboard Errors — Report; Do Not Report (Report by default)
Removable Boot Priority	Used to set the device priority of removable devices like USB floppy drives. The items displayed are dynamically updated according to the removable devices connected
Hard Disk Boot Priority	Used to set the device priority of hard drives. The items displayed are dynamically updated according to the hard drives detected
CD/DVD Boot Priority	Used to set the device priority of CD/DVD drives. The items displayed are dynamically updated according to the CD/DVD drives detected
Network Boot Priority	Used to set the device priority of network devices. The items displayed are dynamically updated according to the network devices detected
USB Boot Priority	Used to set the device priority of USB drives. The items displayed are dynamically updated according to the USB drives detected
1st Boot Device	Removable Dev.; Hard Drive; CD/DVD; Network; USB; Disabled (Hard Drive by default)
2nd Boot Device	Removable Dev.; Hard Drive; CD/DVD; Network; USB; Disabled (USB by default)
3rd Boot Device	Removable Dev.; Hard Drive; CD/DVD; Network; USB; Disabled (CD/DVD by default)
4th Boot Device	Removable Dev.; Hard Drive; CD/DVD; Network; USB; Disabled (Removable Dev. by default)
5th Boot Device	Removable Dev.; Hard Drive; CD/DVD; Network; USB; Disabled (Network by default)
Power Management Setup	
ACPI Suspend Type	S1; S3 (S3 by default)
Remote Wake Up	Enabled; Disabled (Enabled by default)
AC Recovery	Power Off; Power On; Last Power State (Power Off by default)
Auto Power On	Enabled; Disabled (Disabled by default)
Auto Power On Date	0
Auto Power On Time	0:00:00

BIOS Security Features	
Set Supervisor Password	Press Enter to set the supervisor password
User Access Level	No Access; View Only; Limited; Full Access (Full Access by default)
Set User Password	Press Enter to set the user password
Password Check	Setup; Always (Setup by default)

Inspiron 570

System Info	
System	Displays the computer model number
BIOS Version	Shows the BIOS version number and date information
Service Tag	Displays the service tag of the computer
Asset Tag	Displays the asset tag for the computer, if present
Processor Type	Displays the processor type
L2 Cache	Displays the amount of processor Level 2 cache
L3 Cache	Displays the amount of processor Level 3 cache
Installed Memory	Indicates the amount of installed memory
Memory Speed	Indicates the frequency of installed memory
Memory Technology	Indicates the type of installed memory
Main	
System Time	Displays current time in the format (hh:mm:ss)
System Date	Displays current date in the format (mm:dd:yy)
SATA 0	Displays the SATA drives connected to the SATA 0 connector
SATA 1	Displays the SATA drives connected to the SATA 1 connector
SATA 2	Displays the SATA drives connected to the SATA 2 connector
SATA 3	Displays the SATA drives connected to the SATA 3 connector
Keyboard Errors	Displays keyboard errors when set to Report. Default is Report
Advanced Settings	
CPU Feature	<ul style="list-style-type: none"> 1 Secure Virtual Machine Mode — Enabled; Disabled (Enabled by default) 1 AMD Cool 'N' Quiet Function — Enabled; Disabled (Enabled by default)
Integrated Graphics Configuration	<ul style="list-style-type: none"> 1 UMA Frame Buffer Size — Auto; 32 MB; 64 MB; 128 MB; 256 MB; 512 MB (Auto by default)
Integrated Peripherals Configuration	<ul style="list-style-type: none"> 1 SATA Mode — ATA; AHCI (AHCI by default) 1 Onboard Audio Controller — Enabled; Disabled (Enabled by default) 1 Onboard LAN Controller — Enabled; Disabled (Enabled by default) 1 Onboard LAN Boot ROM — Enabled; Disabled (Disabled by default)
USB Device Setting	<ul style="list-style-type: none"> 1 USB Controller — Enabled or Disabled (Enabled by default) 1 USB Operation Mode — High Speed; Full Speed (High Speed by default)
Numlock Key	On; Off (On by default)
Fast Boot	Enabled; Disabled (Enabled by default)
Power	
ACPI Suspend Type	S1(POS); S3(STR) (S3(STR) by default)
AC Recovery	Off; On; Last (Off by default)
Remote Wake Up	Disabled; Enabled (Enabled by default)
Auto Power On	Disabled; Enabled (Disabled by default)
Security	
Unlock Setup Status	Indicates if the System Setup is locked or unlocked
Supervisor Password	Displays the status of the supervisor password
User Password	Displays the status of the user password

Change Supervisor Password	Allows you to change the supervisor password
Boot	
NOTE: The items displayed are dynamically updated according to the devices detected	
1st Boot Device	Hard Disk; USB; CD/DVD; Removable; Network; Disabled (Hard Disk by default)
2nd Boot Device	Hard Disk; USB; CD/DVD; Removable; Network; Disabled (USB by default)
3rd Boot Device	Hard Disk; USB; CD/DVD; Removable; Network; Disabled (CD/DVD by default)
4th Boot Device	Hard Disk; USB; CD/DVD; Removable; Network; Disabled (Removable by default)
5th Boot Device	Hard Disk; USB; CD/DVD; Removable; Network; Disabled (Network by default)
Hard Disk Device	Specifies the boot priority from the available hard drives
USB Device	Specifies the boot priority from the available USB drives
CD/DVD Device	Specifies the boot priority from the available CD/DVD drives
Removable Device	Specifies the boot priority from the available removable drives
Network Device	Specifies the boot priority from the available network drives
Exit	
Provides options to Save Changes and Exit , Discard Changes and Exit , and Load Default Setting	

Changing Boot Sequence for the Current Boot

You can use this feature, for example, to tell the computer to boot from the CD drive so that you can run the Dell Diagnostics on the *Drivers and Utilities* media, but you want the computer to boot from the hard drive when the diagnostic tests are complete. You can also use this feature to restart your computer to a USB device such as a floppy drive, memory key, or CD-RW drive.

1. If you are booting to a USB device, connect the USB device to a USB connector.
2. Turn on (or restart) your computer.
3. When **F2 = Setup**, **F12 = Boot Options** appears on the screen, press <F12>.

If you wait too long and the operating system logo appears, continue to wait until you see the Microsoft Windows desktop. Then shut down your computer and try again.

The **Boot Device Menu** appears, listing all available boot devices.


4. Use the up- or down-arrow keys to select the current boot device and press <Enter>.

For example, if you are booting to a USB memory key, highlight **USB Flash Device** and press <Enter>.

 **NOTE:** To boot to a USB device, the device must be bootable. To make sure your device is bootable, check the device documentation.


Changing Boot Sequence for Future Boots

1. Enter system setup (see [Entering System Setup](#)).
2. Use the arrow keys to highlight the **Boot Device Configuration** menu option and press <Enter> to access the menu.


 **NOTE:** Write down your current boot sequence in case you want to restore it.

3. Press the up- and down-arrow keys to move through the list of devices.
4. Press plus (+) or minus (-) to change the boot priority of device.

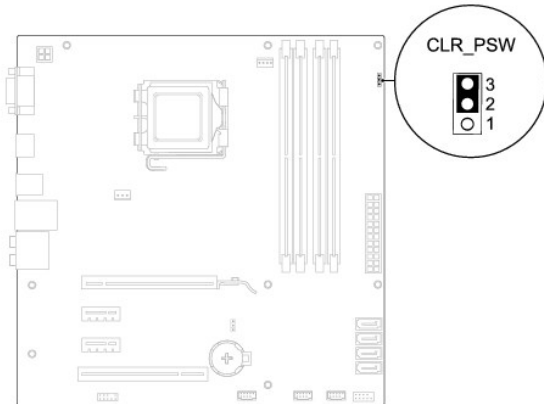
Clearing Forgotten Passwords

 **WARNING:** Before working inside your computer, read the safety information that shipped with your computer. For additional safety best practices information, see the [Regulatory Compliance Homepage](http://www.dell.com/regulatory_compliance) at www.dell.com/regulatory_compliance.

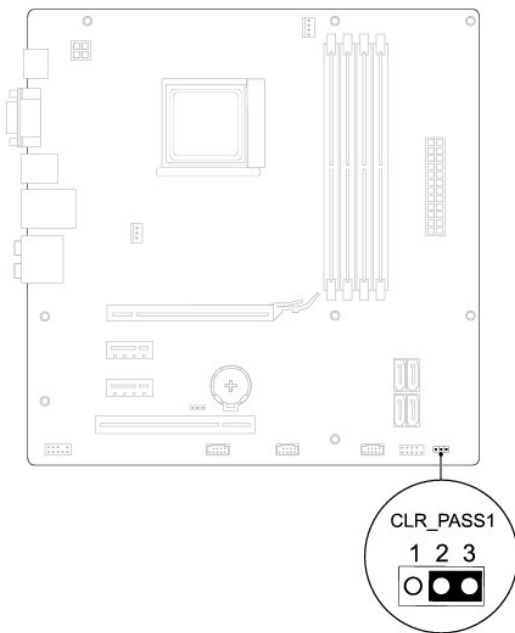
1. Follow the procedures in [Before You Begin](#).
2. Remove the computer cover (see [Removing the Computer Cover](#)).
3. Locate the 3-pin password reset jumper on the system board (see [System Board Components](#)).

 **NOTE:** The location of the password connector may vary depending on the system.

Inspiron 560



Inspiron 570




4. Remove the 2-pin jumper plug from pins 2 and 3 and fix it on pins 1 and 2.
5. Turn on the computer, wait for approximately five seconds, and then turn off the computer. If required, press and hold the power button to turn off the computer.
6. Remove the 2-pin jumper plug from pins 1 and 2 and replace it on pins 2 and 3 to enable the password feature.
7. Replace the computer cover (see [Replacing the Computer Cover](#)).

8. Connect your computer and devices to electrical outlets, and turn them on.
-

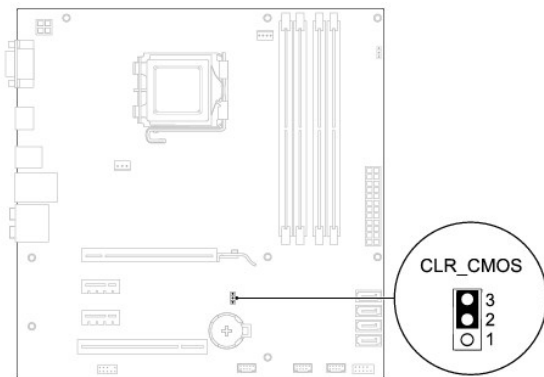
Clearing CMOS Settings

1. Follow the procedures in [Before You Begin](#).

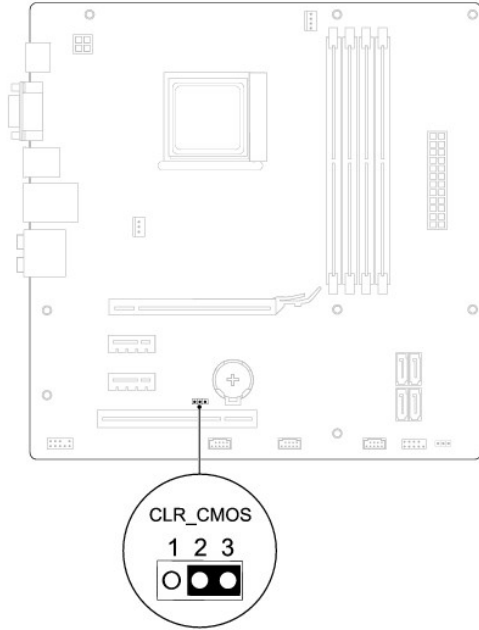
 **NOTE:** The computer must be disconnected from the electrical outlet to clear the CMOS setting.

2. Remove the computer cover (see [Removing the Computer Cover](#)).
3. Reset the current CMOS settings:
 - a. Locate the 3-pin CMOS reset jumper on the system board (see [System Board Components](#)).
 - b. Remove the jumper plug from the CMOS reset jumper pins 2 and 3.
 - c. Place the jumper plug on the CMOS reset jumper pins 1 and 2 and wait for approximately five seconds.
 - d. Remove the jumper plug and replace it on the CMOS reset jumper pins 2 and 3.

Inspiron 560



Inspiron 570




4. Replace the computer cover (see [Replacing the Computer Cover](#)).
5. Connect your computer and devices to electrical outlets, and turn them on.

Flashing the BIOS

The BIOS may require flashing when an update is available or when replacing the system board. To flash the BIOS:

1. Turn on the computer.
2. Visit support.dell.com.
3. Select your country and language.
4. Click **Drivers & Downloads**.
5. Locate the BIOS update file for your computer:


 **NOTE:** The Service Tag for your computer is located on top of the chassis towards the back.

- If you have your computer's Service Tag:

- a. Click **Enter a Service Tag**.
- b. Enter your computer's Service Tag in the **Enter a service tag:** field, click **Go**, and proceed to [step 6](#).

- If you do not have your computer's Service Tag:

- a. Click **Select Your Product Model** in the **Select Your Entry Method** list.
- b. Select the type of product in the **Select Your Product Family** list.
- c. Select the product brand in the **Select Your Product Line** list.
- d. Select the product model number in the **Select Your Product Model** list.

 **NOTE:** If you have selected a different model and want to start over again, click **Start Over** on the top right of the menu.

- e. Click **Confirm**.
6. A list of results appear on the screen. Click **BIOS**.
 7. Click **Download Now** to download the latest BIOS file.

The **File Download** window appears.

8. Click **Save** to save the file on your desktop. The file downloads to your desktop.

9. Click **Close** if the **Download Complete** window appears.

The file icon appears on your desktop and is titled the same as the downloaded BIOS update file.

10. Double-click the file icon on the desktop and follow the procedures that appear on the screen.

[Back to Contents Page](#)

System Board

Dell™ Inspiron™ 560/570 Service Manual

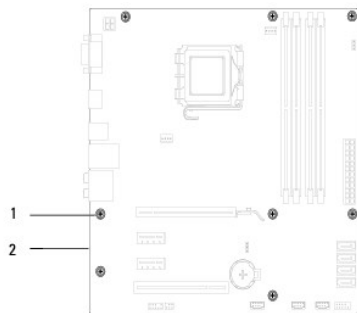
- [Removing the System Board](#)
- [Replacing the System Board](#)

- ⚠ **WARNING:** Before working inside your computer, read the safety information that shipped with your computer. For additional safety best practices information, see the Regulatory Compliance Homepage at www.dell.com/regulatory_compliance.
 - ⚠ **WARNING:** To guard against electrical shock, always unplug your computer from the electrical outlet before removing the cover.
 - ⚠ **WARNING:** Do not operate your equipment with any cover(s) (including computer covers, bezels, filler brackets, front-panel inserts, etc.) removed.
 - ⚠ **CAUTION:** Only a certified service technician should perform repairs on your computer. Damage due to servicing that is not authorized by Dell™ is not covered by your warranty.
-

Removing the System Board

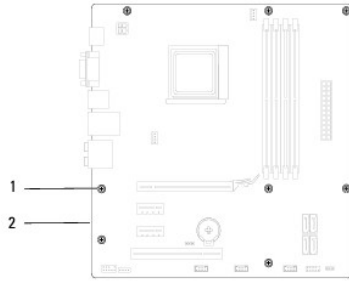
1. Follow the procedures in [Before You Begin](#).
2. Remove the computer cover (see [Removing the Computer Cover](#)).
3. Remove any PCI and PCI Express cards on the system board (see [Removing PCI and PCI Express Cards](#)).
4. Remove the processor fan and heat sink assembly (see [Removing the Processor Fan and Heat Sink Assembly](#)).
5. Remove the processor (see [Removing the Processor](#)).
6. Remove the memory modules (see [Removing the Memory Module\(s\)](#)) and document which memory module is removed from each memory-module connector so that the memory modules can be installed in the same location after the board is replaced.
7. Disconnect all cables from the system board. Note the routing of all cables as you remove them so that you can re-route them correctly after installing the new system board.
8. Remove the eight screws that secure the system board to the chassis.
9. Lift the system board up and out of the chassis.

Inspiron 560



1	screws (8)	2	system board
---	------------	---	--------------

Inspiron 570



1	screws (8)	2	system board
---	------------	---	--------------

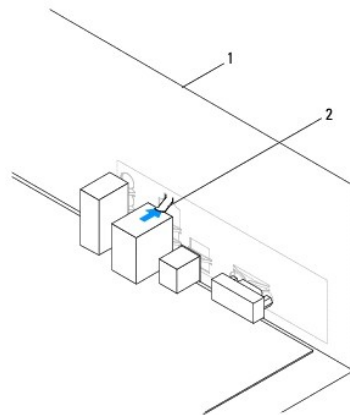
Replacing the System Board

NOTE: Compare the system board that you just removed with the replacement system board to ensure that they are identical.

1. Follow the procedures in [Before You Begin](#).

CAUTION: Ensure that the port retention springs are not damaged while replacing the system board.

2. Gently align the system board into the chassis and slide it towards the back of the computer.



1	back of the computer	2	port retention spring
---	----------------------	---	-----------------------

3. Replace the eight screws that secure the system board to the chassis.
4. Route and connect the cables that you disconnected from the system board.

CAUTION: Ensure that the processor fan and heat sink assembly is correctly seated and secure.

5. Replace the processor (see [Replacing the Processor](#)).
6. Replace the processor fan and heat sink assembly (see [Replacing the Processor Fan and Heat Sink Assembly](#)).
7. Replace the memory modules (see [Replacing the Memory Module\(s\)](#)).
8. Replace any PCI and PCI Express cards on the system board (see [Replacing PCI and PCI Express Cards](#)).
9. Replace the computer cover (see [Replacing the Computer Cover](#)).
10. Connect your computer and devices to electrical outlets, and turn them on.
11. Flash the system BIOS, as needed (see [Flashing the BIOS](#)).

[Back to Contents Page](#)

[Back to Contents Page](#)

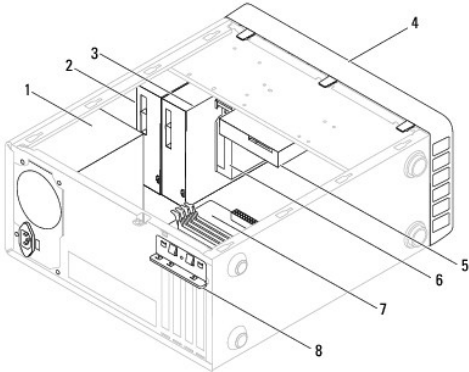
Technical Overview

Dell™ Inspiron™ 560/570 Service Manual

- [Inside View of Your Computer](#)
- [System Board Components](#)

WARNING: Before working inside your computer, read the safety information that shipped with your computer. For additional safety best practices information, see the Regulatory Compliance Homepage at www.dell.com/regulatory_compliance.

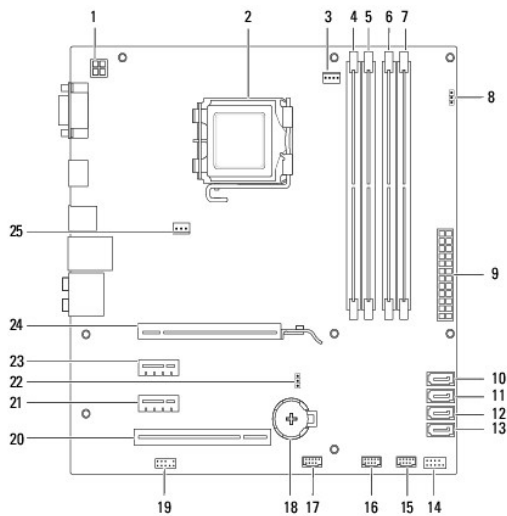
Inside View of Your Computer



1	power supply	2	primary optical drive
3	secondary optical drive (optional)	4	front bezel
5	hard drive	6	Media Card Reader (optional)
7	system board	8	card retention bracket

System Board Components

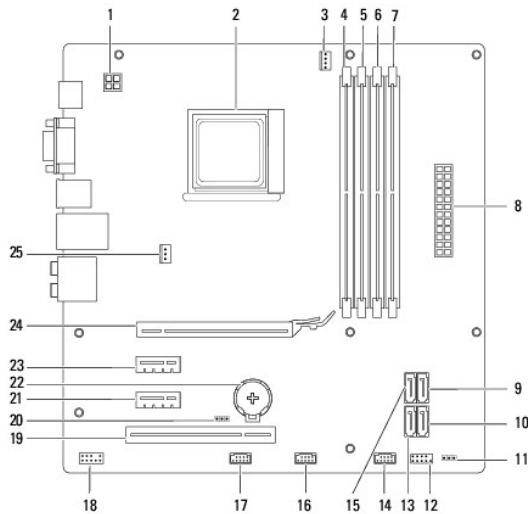
Inspiron 560



1	12 V power connector (ATX12V1)	2	processor socket
3	processor fan connector (FAN_CPU)	4	memory-module connector (DIMM1)

5	memory-module connector (DIMM2)	6	memory-module connector (DIMM3)
7	memory-module connector (DIMM4)	8	password reset jumper (CLR_PSW)
9	main power connector (ATX1_POWER1)	10	SATA connector (SATA_0)
11	SATA connector (SATA_1)	12	SATA connector (SATA_2)
13	SATA connector (SATA_3)	14	front-panel connector (FRONTPANEL)
15	front-panel USB connector (F_USB1)	16	front-panel USB connector (F_USB2)
17	front-panel USB connector (F_USB3)	18	battery socket (BATTERY)
19	front-panel audio connector (FP_AUDIO)	20	PCI card slot (PCI_1)
21	PCI-Express x1 card slot (PCIEX1_2)	22	CMOS reset jumper (CLR_CMOS)
23	PCI-Express x1 card slot (PCIEX1_1)	24	PCI-Express x16 card slot (PCIEX16)
25	chassis fan connector (FAN_SYS)		

Inspiron 570



1	12 V power connector (ATX_12V)	2	processor socket
3	processor fan connector (CPU_FAN)	4	memory-module connector (DIMM1)
5	memory-module connector (DIMM2)	6	memory-module connector (DIMM3)
7	memory-module connector (DIMM4)	8	main power connector (ATX)
9	SATA connector (SATA3)	10	SATA connector (SATA2)
11	password reset jumper (CLR_PASS1)	12	front-panel connector (LEDH1)
13	SATA connector (SATA1)	14	internal USB connector (IN_USB2)
15	SATA connector (SATA4)	16	internal USB connector (IN_USB1)
17	front-panel USB connector (F_USB1)	18	front-panel audio (F_AUDIO)
19	PCI card slot (PCI1)	20	CMOS reset jumper (CLR_CMOS)
21	PCI-Express x1 card slot (PCIEX1_1)	22	battery socket (BT1)
23	PCI-Express x1 card slot (PCIEX1_2)	24	PCI-Express x16 card slot (PCIEX16)
25	chassis fan connector (SYS_FAN1)		

[Back to Contents Page](#)